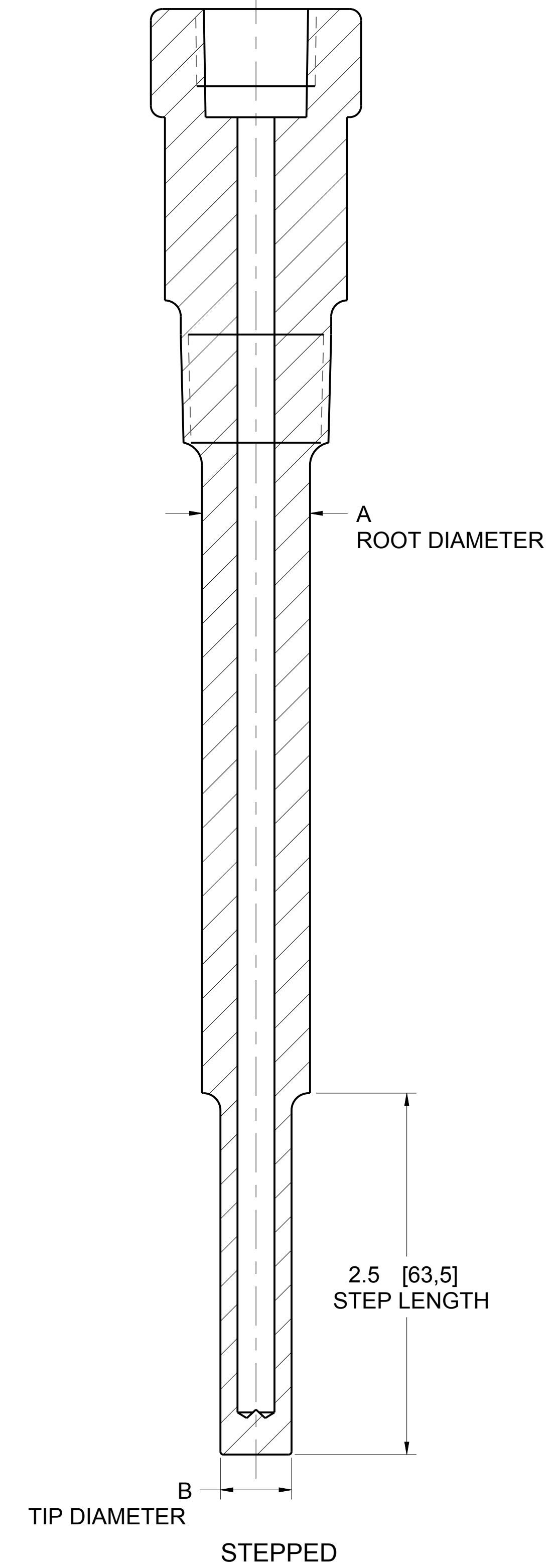
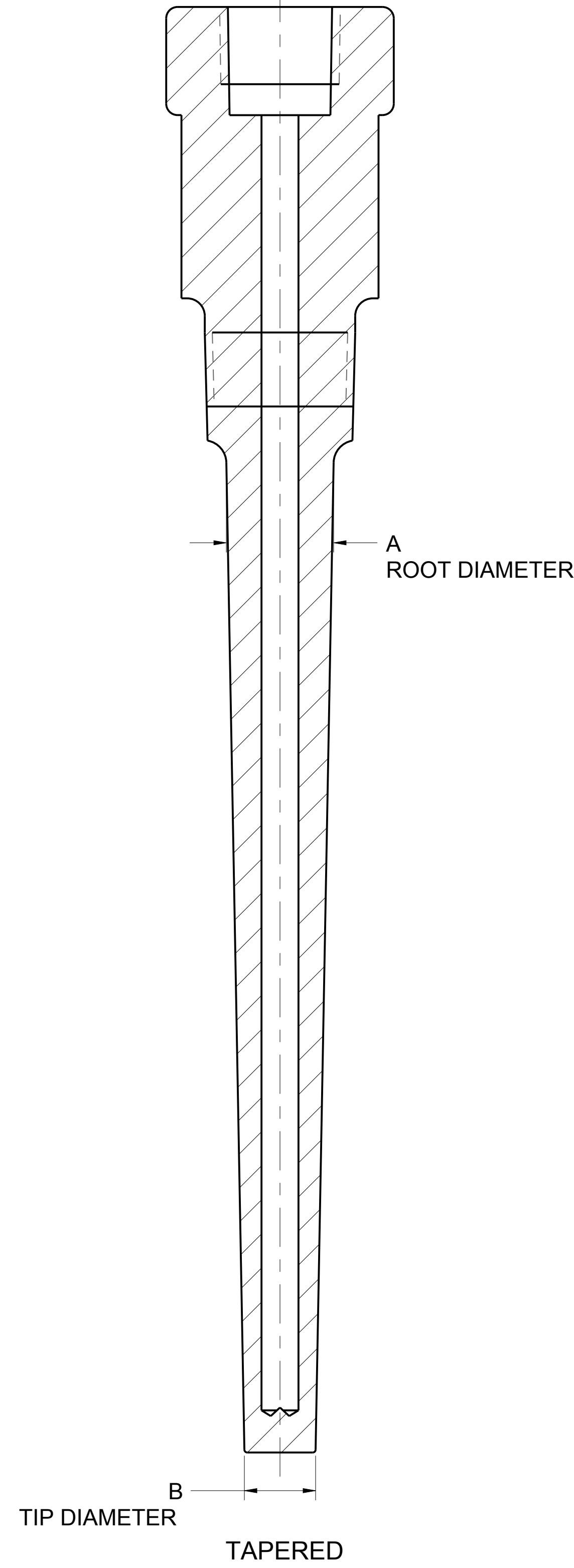
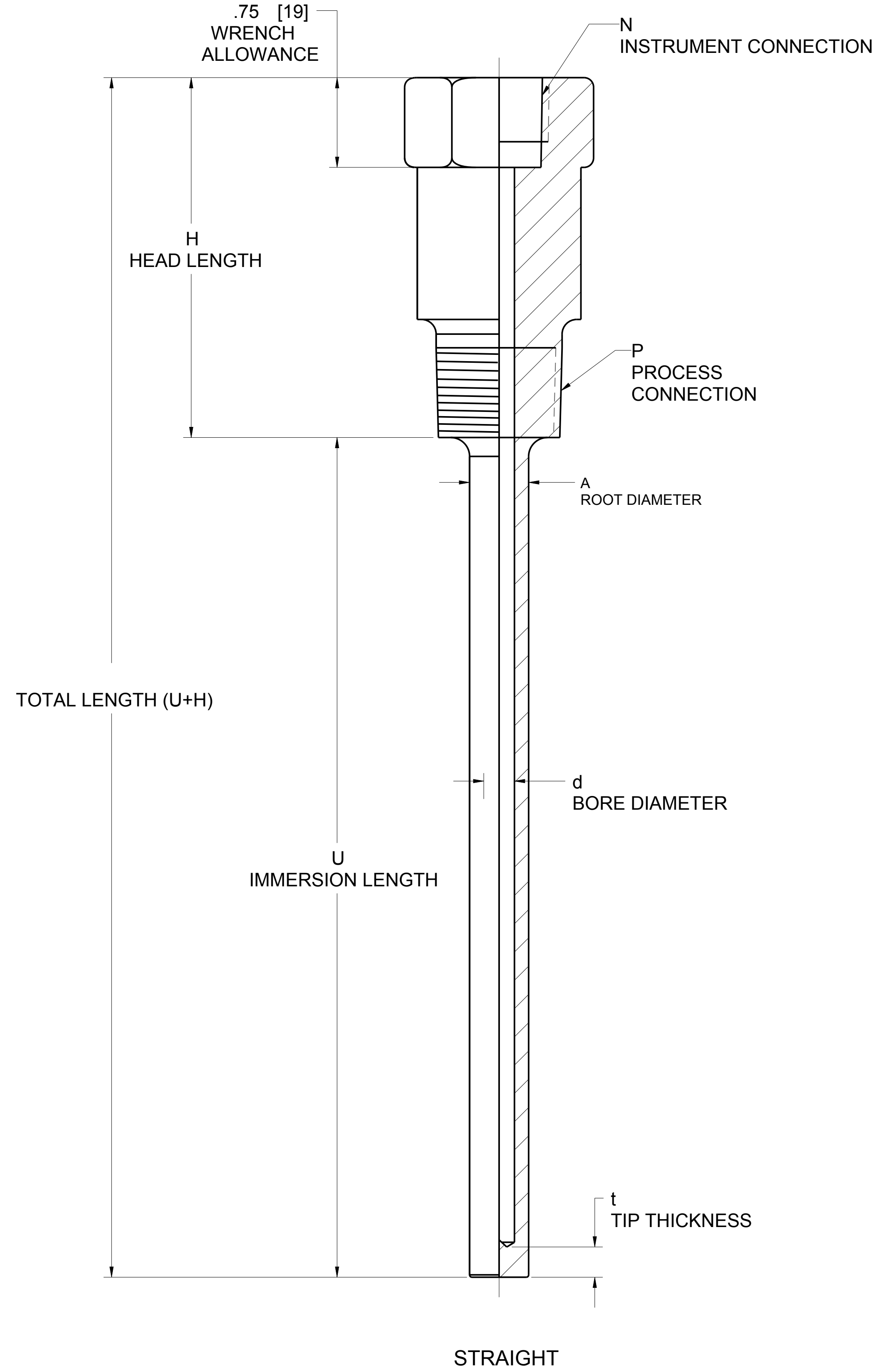


# ROSEMOUNT 114C BARSTOCK THERMOWELL

## THREAD MOUNT THERMOWELLS (TAPERED THREAD)

REVISION TABLE			
REVISION	ECO NO.	APP'D	DATE
AF	RTC1072317	T. BONKAT	2/3/19
DESCRIPTION			
ADD CALL OUT FOR RADIUS AND ADD ROOT DIMENSION.			



©2015 ROSEMOUNT INC.  
ROSEMOUNT INC. CERTIFIES  
THIS DRAWING IS IN  
ACCORDANCE WITH  
ROSEMOUNT ENGINEERING  
SPECIFICATIONS.  
UNIT NOTES IN INCHES (mm).

EMERSON

TITLE  
**ROSEMOUNT THERMOWELLS  
TYPE I DRAWING**

DR. S.MENDULE 5/29/15 DRAWING NO. 00114-7000  
APP'D J. REUVERS 7/25/15  
CAD MAINTAINED, (PROE) SHEET 1 OF 12

3RD ANGLE

SIZE D SCALE NTS

REFERENCE ROSEMOUNT  
PRODUCT SPECIFICATIONS.  
CLICK HERE

THREAD MOUNT THERMOWELLS  
(TAPERED THREAD)

CODE	CODE	MOUNTING STYLE	WRENCH FLAT SIZE "G"		ROOT DIAMETER STEPPED STEM "∅ As"	ROOT DIAMETER TAPERED STEM "∅ At"	TIP DIAMETER TAPERED STEM "∅ B"	ROOT DIAMETER STRAIGHT STEM "∅ Astr"	THREAD SPECIFICATION
	T		THREADED	METRIC UNITS; CODE "M"					
AA		1/2-14 ANPT	1.18 [30]	1-1/8 [28.6]	.67 [17]	.67 [17]	.5 [12.7]	.5 [12.7]	ANPT PER SAE -AS 71051
AB		3/4-14 ANPT	1.18 [30]	1-1/8 [28.6]	.75 [19]	.89 [22,5]	.63 [16]	.71 [18]	
AC		1-11.5 ANPT	1.34 [34]	1-1/4 [31.8]	.85 [21.5]	1.04 [26,5]	.71 [18]	.71 [18]	
AD		1 1/2-11.5 ANPT	1.89 [48]	1-3/4 [44.5]	.85 [21.5]	1.04 [26,5]	.71 [18]	.71 [18]	
AE		1/2" BSPT	1.18 [30]	1-1/8 [28.6]	.67 [17]	.67 [17]	.5 [12.7]	.5 [12.7]	THD PER ISO 7/1( BS 21)
AF		3/4" BSPT	1.18 [30]	1-1/8 [28.6]	.75 [19]	.89 [22,5]	.63 [16]	.71 [18]	
AG		1" BSPT	1.34 [34]	1-1/4 [31.8]	.85 [21.5]	1.04 [26,5]	.71 [18]	.71 [18]	

©2015 ROSEMOUNT INC.  
ROSEMOUNT INC. CERTIFIES  
THIS DRAWING TO BE IN  
ACCORDANCE WITH  
ROSEMOUNT ENGINEERING  
SPECIFICATIONS.  
UNIT NOTES IN INCHES (mm).

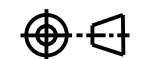
REFERENCE ROSEMOUNT  
PRODUCT SPECIFICATIONS.  
CLICK HERE

EMERSON

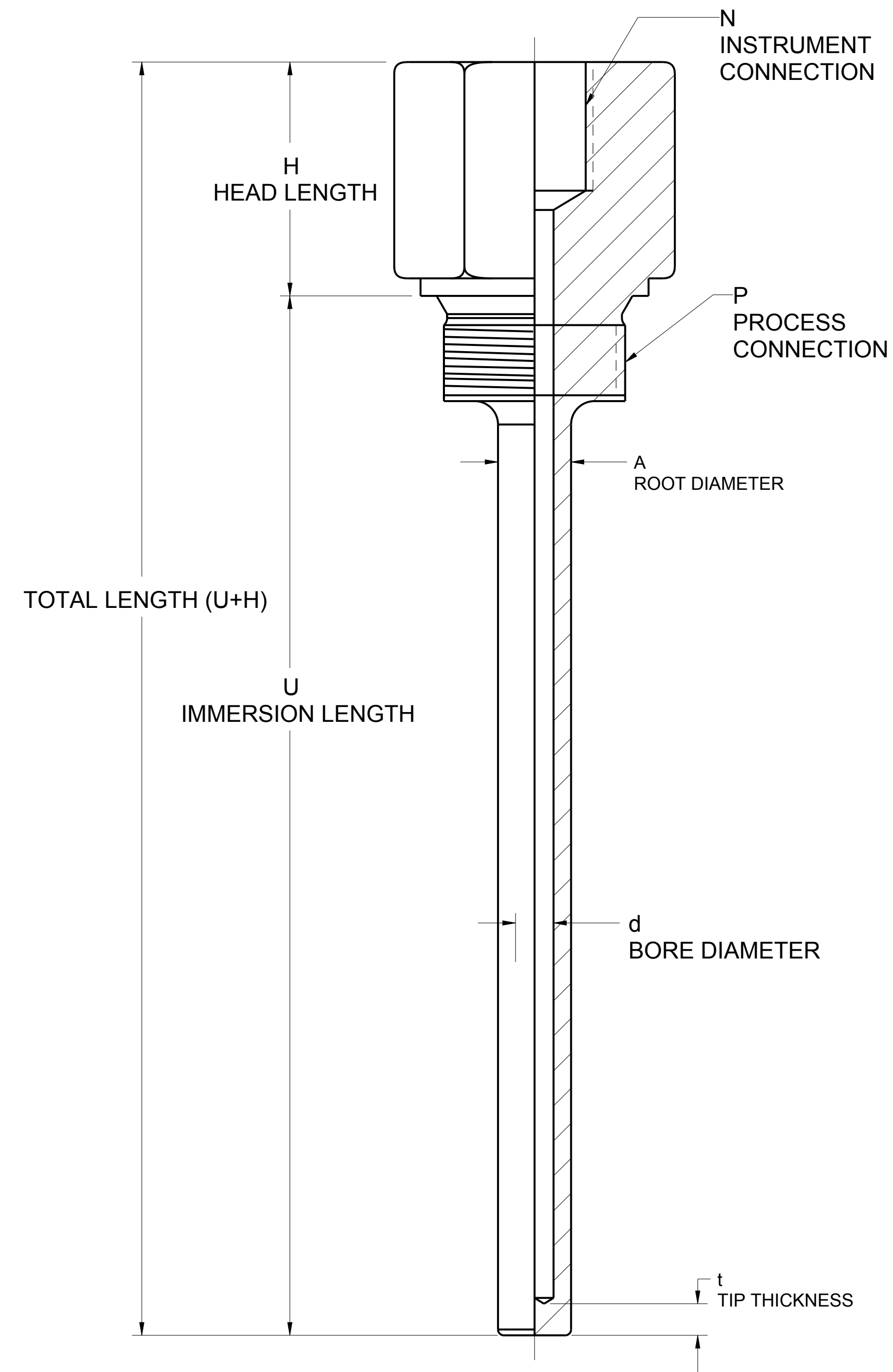
TITLE ROSEMOUNT THERMOWELLS  
TYPE I DRAWING

DR. S.MENDULE 5/29/15 DRAWING NO. 00114-7000  
APPD J. REUVERS 7/25/15

CAD MAINTAINED, (PROE) SHEET 2 OF 12

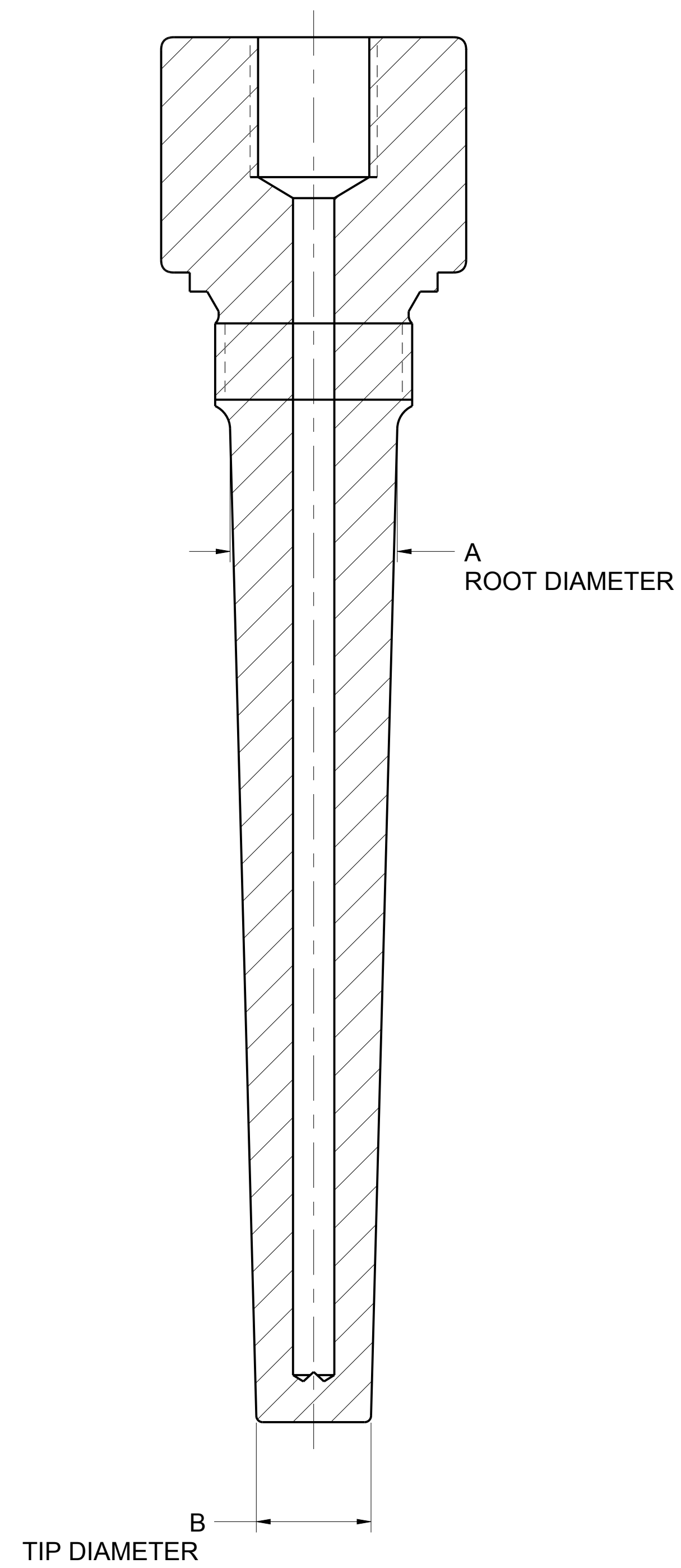
3RD ANGLE  SIZE D SCALE NTS

# ROSEMOUNT 114C BARSTOCK THERMOWELL

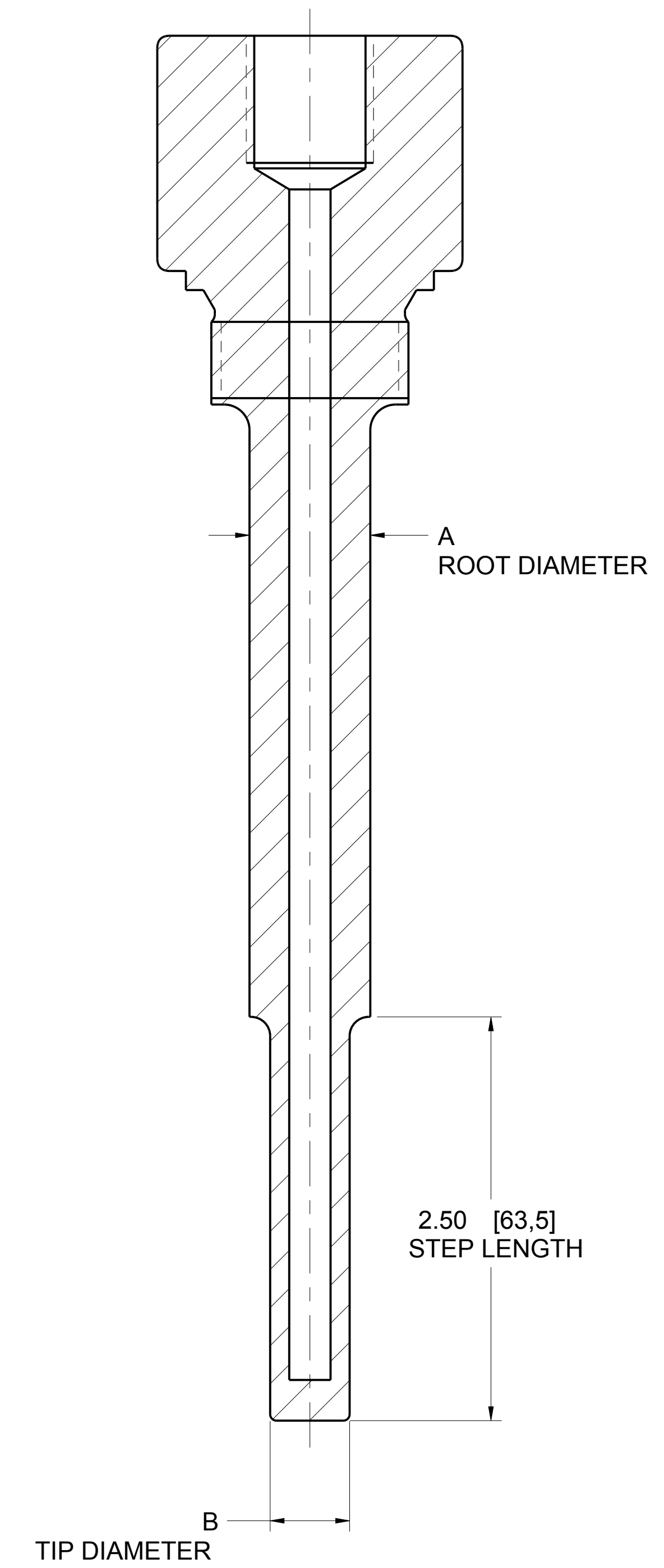


STRAIGHT

# THREAD MOUNT THERMOWELLS (PARALLEL THREAD)



TAPERED



STEPPED

©2015 ROSEMOUNT INC. ROSEMOUNT INC. CERTIFIES THIS DRAWING IS IN ACCORDANCE WITH ROSEMOUNT ENGINEERING SPECIFICATIONS. UNIT NOTES IN INCHES (mm). REFERENCE ROSEMOUNT PRODUCT SPECIFICATIONS. CLICK HERE	3RD ANGLE	SIZE D	SCALE NTS
	TITLE <b>ROSEMOUNT THERMOWELLS          TYPE I DRAWING</b>		
	DR. S.MENDULE 5/29/15 APP'D J. REUVERS 7/25/15	DRAWING NO. 00114-7000	
CAD MAINTAINED, (PROE)		SHEET 3 OF 12	

THREAD MOUNT THERMOWELLS  
(PARALLEL THREAD)

CODE	CODE	MOUNTING STYLE	HEX SIZE "F"	ROOT DIAMETER STEPPED STEM "∅ As"	ROOT DIAMETER TAPERED STEM "∅ At"	TIP DIAMETER TAPERED AND STRAIGHT STEM "∅ B"	THREAD SPECIFICATION
	T	THREADED					
	PROCESS CONNECTION "P"						
DA		M20 X 1.5	1.18 [30]	.67 [17]	.67 [17]	.5 [12.7]	THREAD PER BS3643
DB		M24 X 1.5	1.18 [30]	.75 [19]	.75 [19]	.5 [12.7]	
DC		M27 X 2	1.26 or 1.42 [32 or 36]	.75 [19]	.75 [19]	.5 [12.7]	
DD		M33 X 2	1.61 [41]	.85 [21.5]	1.04 [26.5]	.71 [18]	THREAD PER ISO 228/1(BS 2779)
DE		1/2" BSPF (G1/2)	1.06 [27]	.67 [17]	.67 [17]	.5 [12.7]	
DF		3/4" BSPF (G3/4)	1.26 [32]	.75 [19]	.75 [19]	.5 [12.7]	
DG		1" BSPF (G1)	1.61 [41]	.85 [21.5]	1.04 [26.5]	.71 [18]	

©2015 ROSEMOUNT INC.  
ROSEMOUNT INC. CERTIFIES  
THIS DRAWING TO BE IN  
ACCORDANCE WITH  
ROSEMOUNT ENGINEERING  
SPECIFICATIONS.  
UNIT NOTES IN INCHES (mm).

REFERENCE ROSEMOUNT  
PRODUCT SPECIFICATIONS.  
CLICK HERE

CAD MAINTAINED, (PROE)

3RD ANGLE

SIZE D SCALE NTS

**EMERSON**

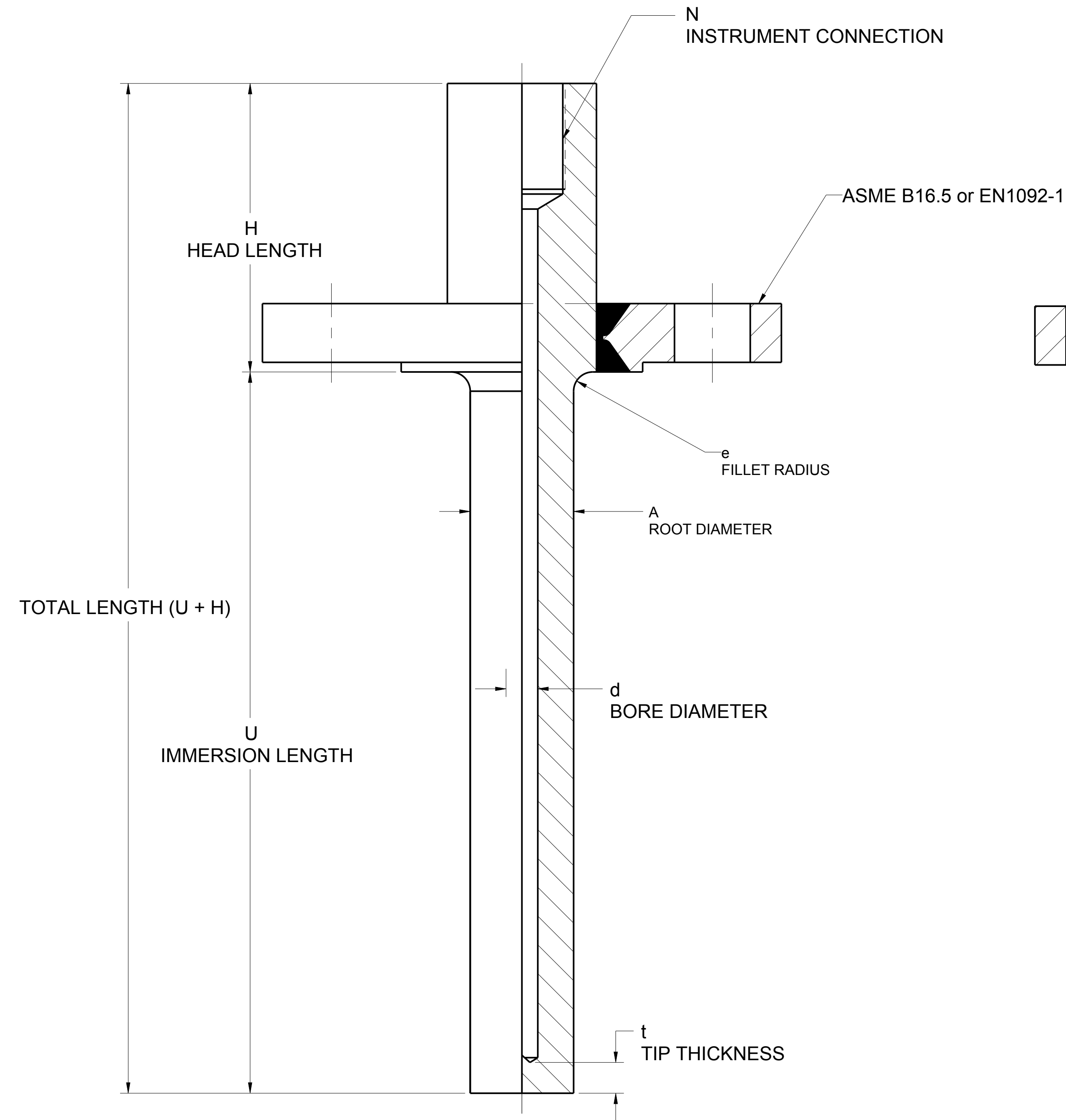
TITLE **ROSEMOUNT THERMOWELLS  
TYPE I DRAWING**

DR. S.MENDULE	5/29/15	DRAWING NO.	00114-7000
APPD J. REUVERS	7/25/15		

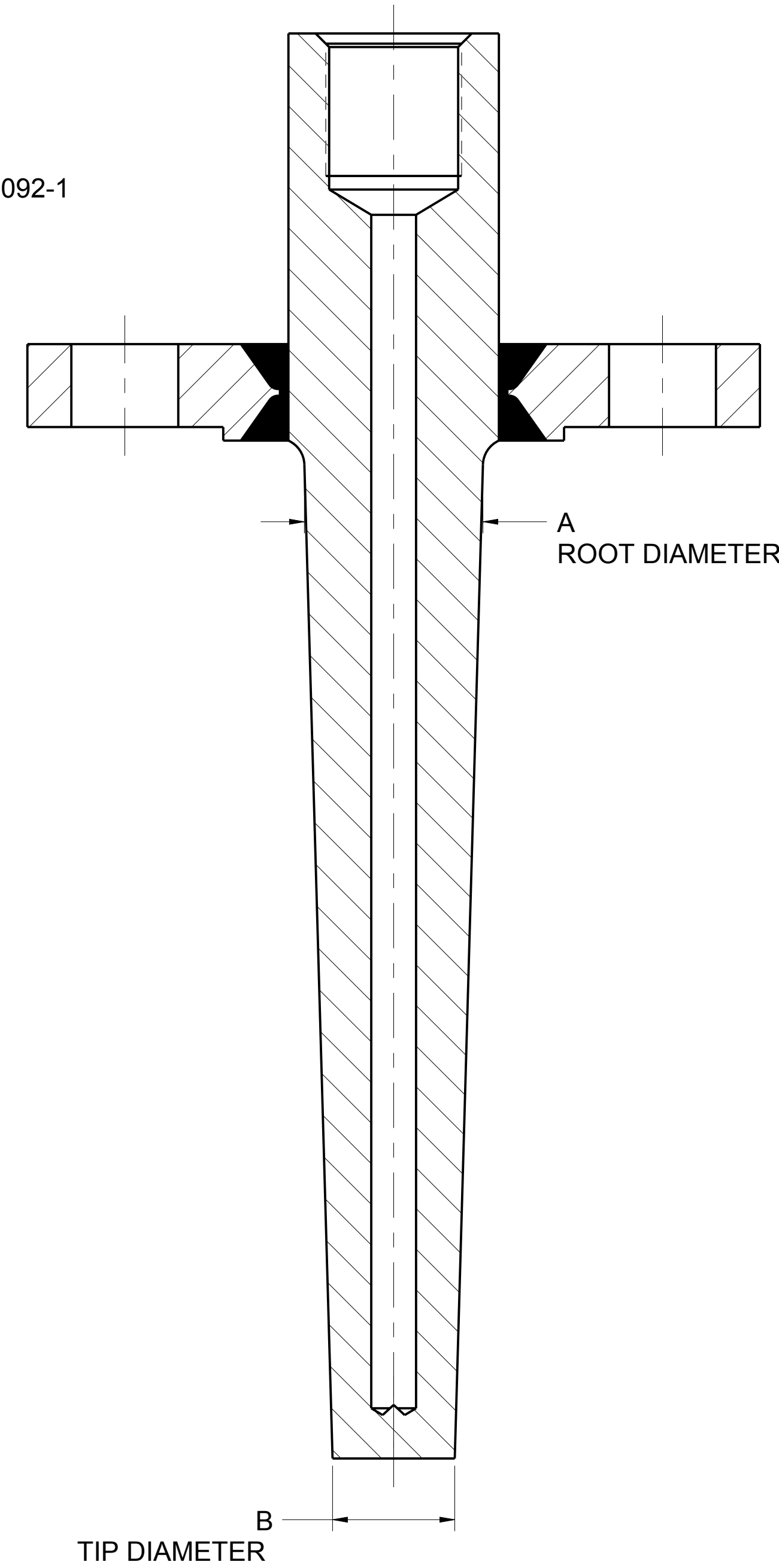
SHEET 4 OF 12

# ROSEMOUNT 114C BARSTOCK THERMOWELL

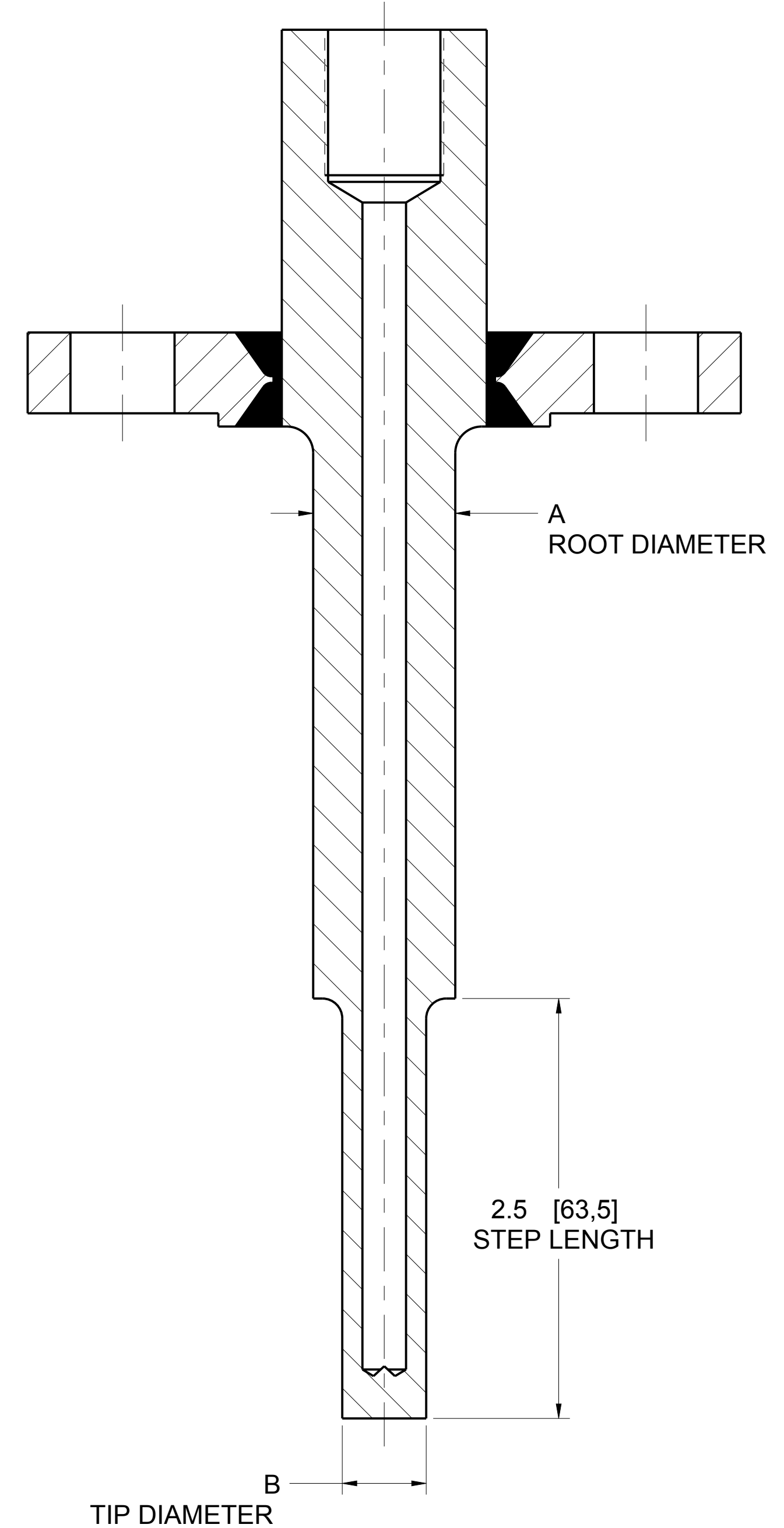
## FLANGE MOUNT THERMOWELLS



STRAIGHT



TAPERED

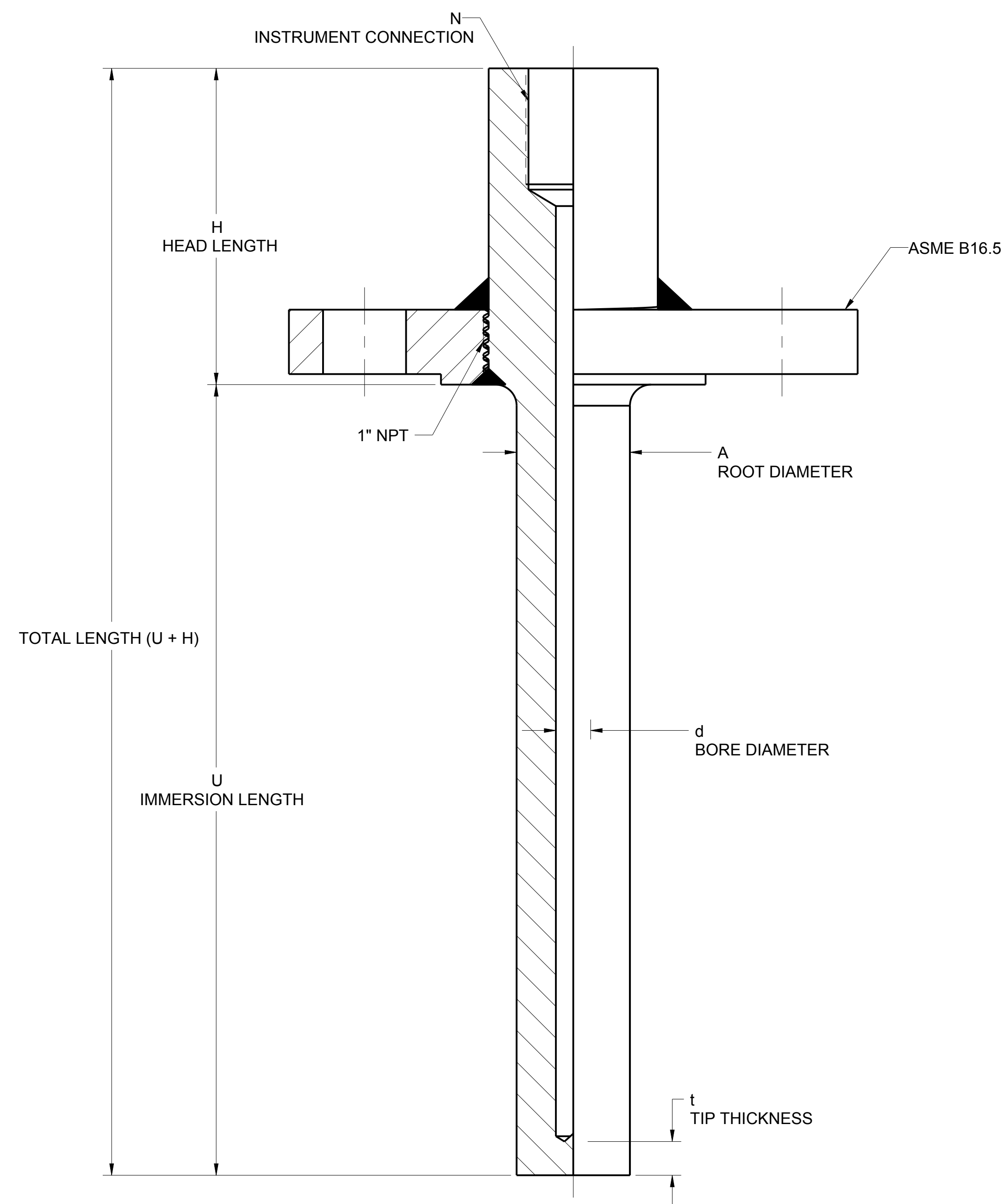


STEPPED

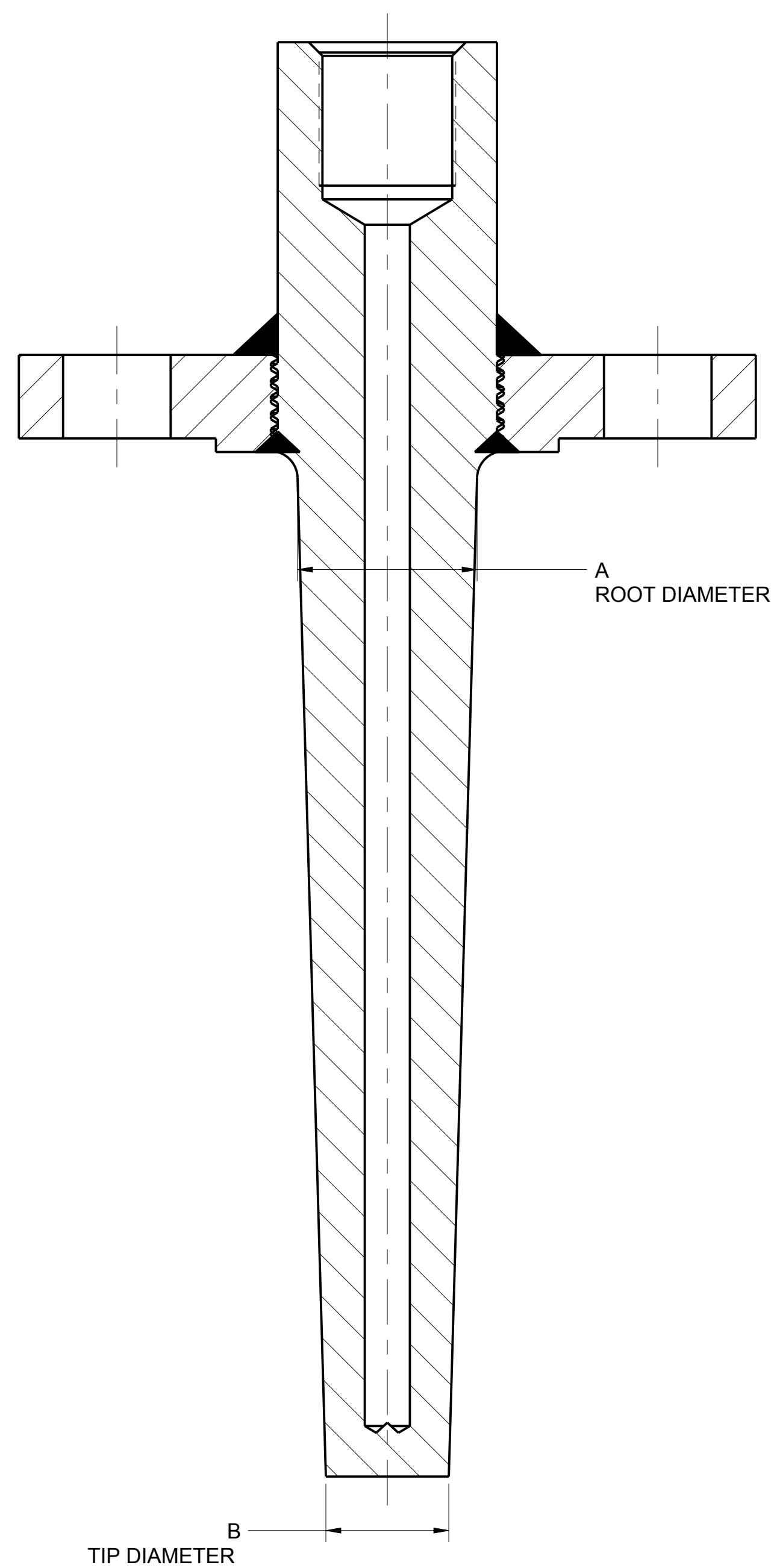
©2015 ROSEMOUNT INC. ROSEMOUNT INC. CERTIFIES THIS DRAWING IS IN ACCORDANCE WITH ROSEMOUNT ENGINEERING SPECIFICATIONS. UNIT NOTES IN INCHES (mm). REFERENCE ROSEMOUNT PRODUCT SPECIFICATIONS. CLICK HERE	3RD ANGLE	SIZE D	SCALE NTS
	TITLE <b>ROSEMOUNT THERMOWELLS          TYPE I DRAWING</b>		
	DR. S.MENDULE APP'D J. REUVERS	5/29/15 7/25/15	DRAWING NO. <b>00114-7000</b>

# ROSEMOUNT 114C BARSTOCK THERMOWELL

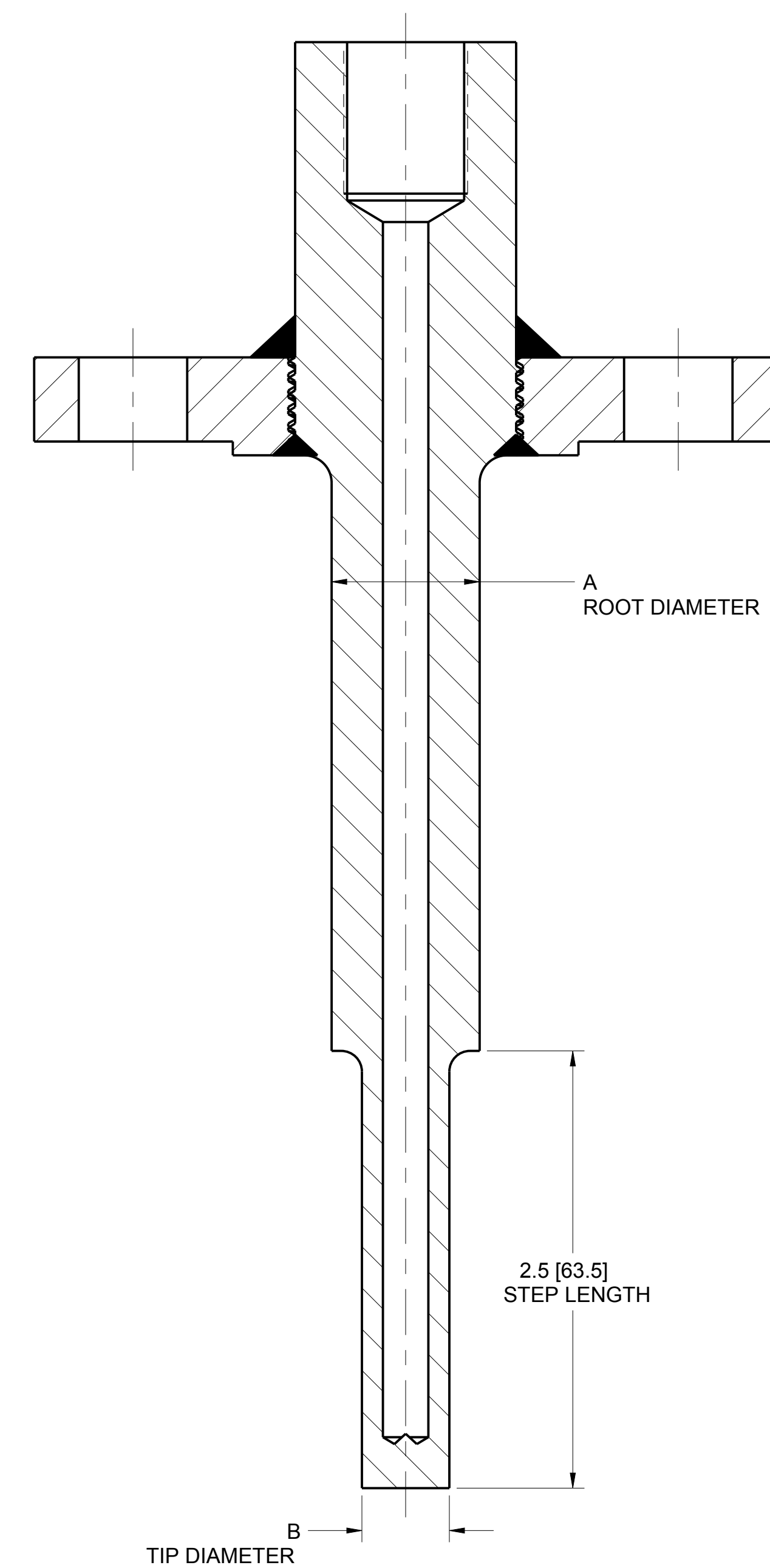
## THREADED FLANGE MOUNT THERMOWELLS



STRAIGHT



TAPERED




STEPPED

©2015 ROSEMOUNT INC. ROSEMOUNT INC. CERTIFIES THIS DRAWING IS IN ACCORDANCE WITH ROSEMOUNT ENGINEERING SPECIFICATIONS. UNIT NOTES IN INCHES (mm). REFERENCE ROSEMOUNT PRODUCT SPECIFICATIONS. CLICK HERE	3RD ANGLE	SIZE D	SCALE NTS
	TITLE <b>ROSEMOUNT THERMOWELLS          TYPE I DRAWING</b>		
	DR. S.MENDULE 5/29/15 APP'D J. REUVERS 7/25/15	DRAWING NO. 00114-7000	
CAD MAINTAINED, (PROE)		SHEET 6 OF 12	


## FLANGE MOUNT THERMOWELLS

CODE	CODE	MOUNTING STYLE	CODE	MOUNTING STYLE	CODE	MOUNTING STYLE	CODE	MOUNTING STYLE	ROOT DIAMETER STEPPED STEM "Ø As"	ROOT DIAMETER TAPERED STEM "Ø At"	TIP DIAMETER TAPERED STEM "Ø Bt"	ROOT DIAMETER STRAIGHT STEM "Ø Astr"	FLANGES PER SPECIFICATION
	P	FLANGE, PARTIAL PENETRATION WELD	F	FLANGE, FULL PENETRATION WELD	G	FLANGE, SINGLE PIECE FORGING	E	FLANGE, THREADED					
	PROCESS CONNECTION												
AA	1" CLASS 150		1" CLASS 150		1" CLASS 150		1" CLASS 150		.75 [19]	.89 [22.5]	.63 [16]	.75 [19]	ASME B16.5
AB	1 1/2" CLASS 150		1 1/2" CLASS 150		1 1/2" CLASS 150		1 1/2" CLASS 150		.85 [21.5]	1.04 [26.5]	.71 [18]	.85 [21.5]	
AC	2" CLASS 150		2" CLASS 150		2" CLASS 150		2" CLASS 150		.85 [21.5]	1.04 [26.5]	.71 [18]	.85 [21.5]	
AD	3" CLASS 150		3" CLASS 150		3" CLASS 150		3" CLASS 150		.85 [21.5]	1.04 [26.5]	.71 [18]	.85 [21.5]	
AE	4" CLASS 150		4" CLASS 150		4" CLASS 150		4" CLASS 150		.85 [21.5]	1.04 [26.5]	.71 [18]	.85 [21.5]	
AF	6" CLASS 150		6" CLASS 150		6" CLASS 150		6" CLASS 150		.85 [21.5]	1.04 [26.5]	.71 [18]	.85 [21.5]	
AG	3/4" CLASS 300		3/4" CLASS 300		3/4" CLASS 300		-		.67 [17]	.67 [17]	.5 [12.7]	.67 [17]	
AH	1" CLASS 300		1" CLASS 300		1" CLASS 300		1" CLASS 300		.75 [19]	.89 [22.5]	.63 [16]	.75 [19]	
AJ	1 1/2" CLASS 300		1 1/2" CLASS 300		1 1/2" CLASS 300		1 1/2" CLASS 300		.85 [21.5]	1.04 [26.5]	.71 [18]	.85 [21.5]	
AK	2" CLASS 300		2" CLASS 300		2" CLASS 300		2" CLASS 300		.85 [21.5]	1.04 [26.5]	.71 [18]	.85 [21.5]	
AL	1" CLASS 400/600		1" CLASS 400/600		1" CLASS 400/600		1" CLASS 400/600		.75 [19]	.89 [22.5]	.63 [16]	.75 [19]	EN 1092-1
AM	1 1/2" CLASS 400/600		1 1/2" CLASS 400/600		1 1/2" CLASS 400/600		1 1/2" CLASS 400/600		.85 [21.5]	1.04 [26.5]	.71 [18]	.85 [21.5]	
AN	2" CLASS 400/600		2" CLASS 400/600		2" CLASS 400/600		2" CLASS 400/600		.85 [21.5]	1.04 [26.5]	.71 [18]	.85 [21.5]	
FA	DN 20 / PN 2.5/6		DN 20 / PN 2.5/6		-		-		.67 [17]	.67 [17]	.5 [12.7]	.67 [17]	
FE	DN 20 / PN 10/16/25/40		DN 20 / PN 10/16/25/40		-		-		.67 [17]	.67 [17]	.5 [12.7]	.67 [17]	
FG	DN 20 / PN 63/100		DN 20 / PN 63/100		-		-		.67 [17]	.67 [17]	.5 [12.7]	.67 [17]	
GA	DN 25 / PN 2.5/6		DN 25 / PN 2.5/6		-		-		.75 [19]	.75 [19]	.5 [12.7]	.75 [19]	
GE	DN 25 / PN 10/16/25/40		DN 25 / PN 10/16/25/40		-		-		.75 [19]	.75 [19]	.5 [12.7]	.75 [19]	
GG	DN 25 / PN 63/100		DN 25 / PN 63/100		-		-		.75 [19]	.75 [19]	.5 [12.7]	.75 [19]	
JA	DN 40 / PN 2.5/6		DN 40 / PN 2.5/6		-		-		.85 [21.5]	1.04 [26.5]	.71 [18]	.85 [21.5]	
JE	DN 40 / PN 10/16/25/40		DN 40 / PN 10/16/25/40		-		-		.85 [21.5]	1.04 [26.5]	.71 [18]	.85 [21.5]	
JG	DN 40 / PN 63/100		DN 40 / PN 63/100		-		-		.85 [21.5]	1.04 [26.5]	.71 [18]	.85 [21.5]	
KA	DN 50 / PN 2.5/6		DN 50 / PN 2.5/6		-		-		.85 [21.5]	1.04 [26.5]	.71 [18]	.85 [21.5]	
KC	DN 50 / PN 10/16		DN 50 / PN 10/16		-		-		.85 [21.5]	1.04 [26.5]	.71 [18]	.85 [21.5]	
KE	DN 50 / PN 25/40		DN 50 / PN 25/40		-		-		.85 [21.5]	1.04 [26.5]	.71 [18]	.85 [21.5]	
KF	DN 50 / PN 63		DN 50 / PN 63		-		-		.85 [21.5]	1.04 [26.5]	.71 [18]	.85 [21.5]	
KG	DN 50 / PN 100		DN 50 / PN 100		-		-		.85 [21.5]	1.04 [26.5]	.71 [18]	.85 [21.5]	

©2015 ROSEMOUNT INC.  
ROSEMOUNT INC. CERTIFIES  
THIS DRAWING TO BE IN  
ACCORDANCE WITH  
ROSEMOUNT ENGINEERING  
SPECIFICATIONS.  
UNIT NOTES IN INCHES (mm).  
REFERENCE ROSEMOUNT  
PRODUCT SPECIFICATIONS.  
CLICK HERE



**EMERSON**

3RD ANGLE 

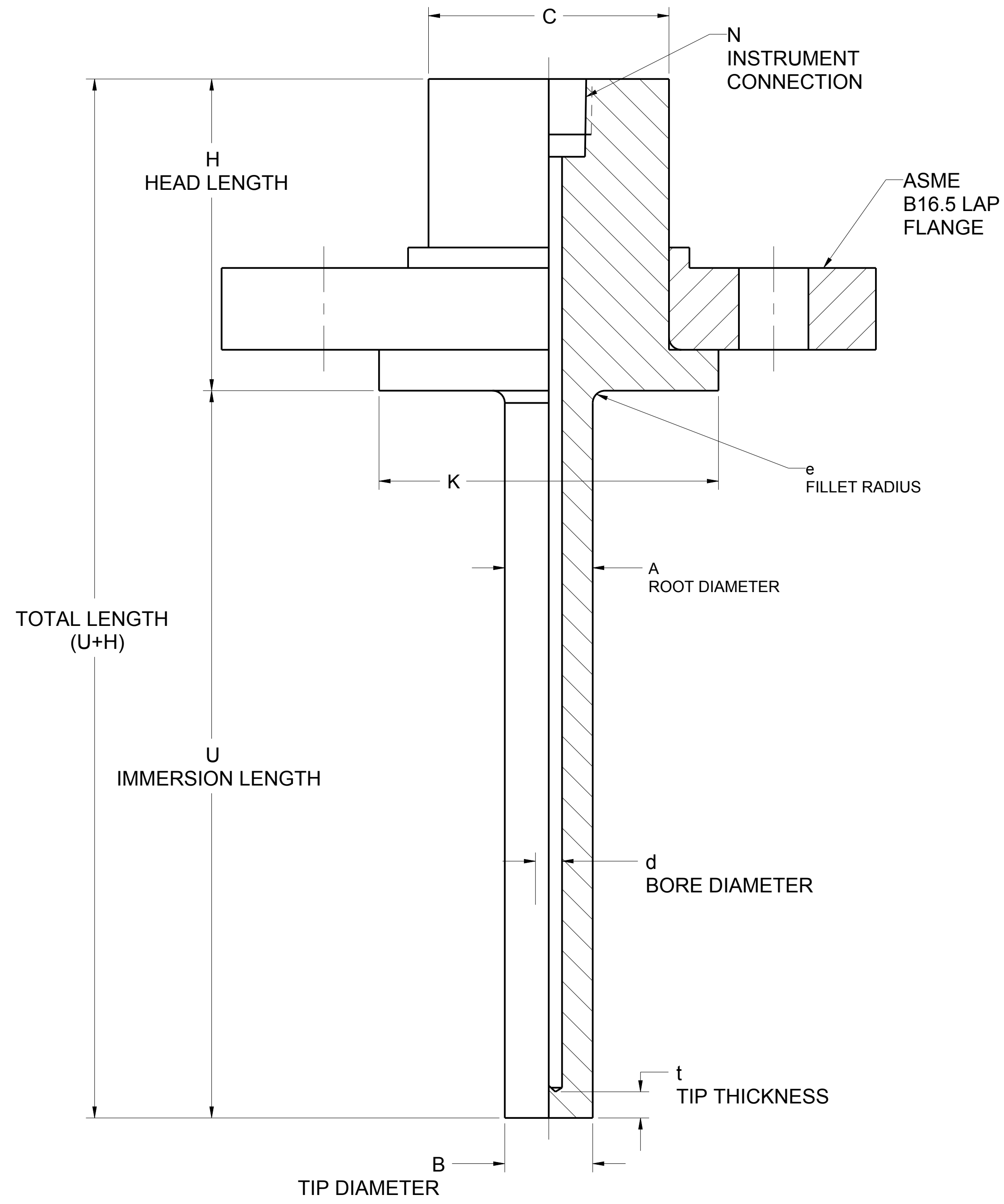
SIZE D SCALE NTS

**TITLE ROSEMOUNT THERMOWELLS  
TYPE I DRAWING**

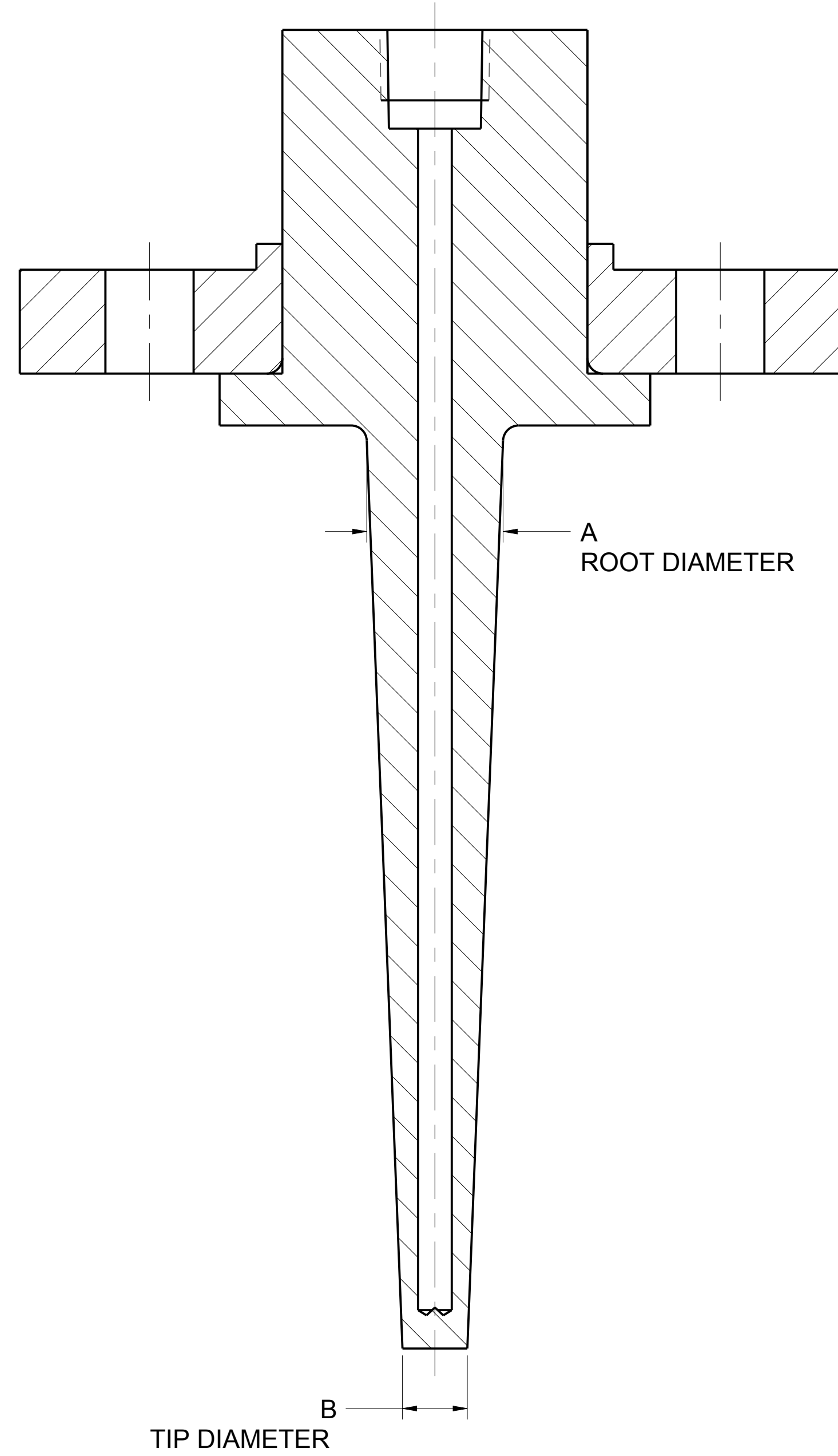
DR. S.MENDULE	5/29/15	DRAWING NO.	00114-7000
APPD J. REUVERS	7/25/15		
CAD MAINTAINED, (PROE)		SHEET 7 OF 12	

# ROSEMOUNT 114C BARSTOCK THERMOWELL

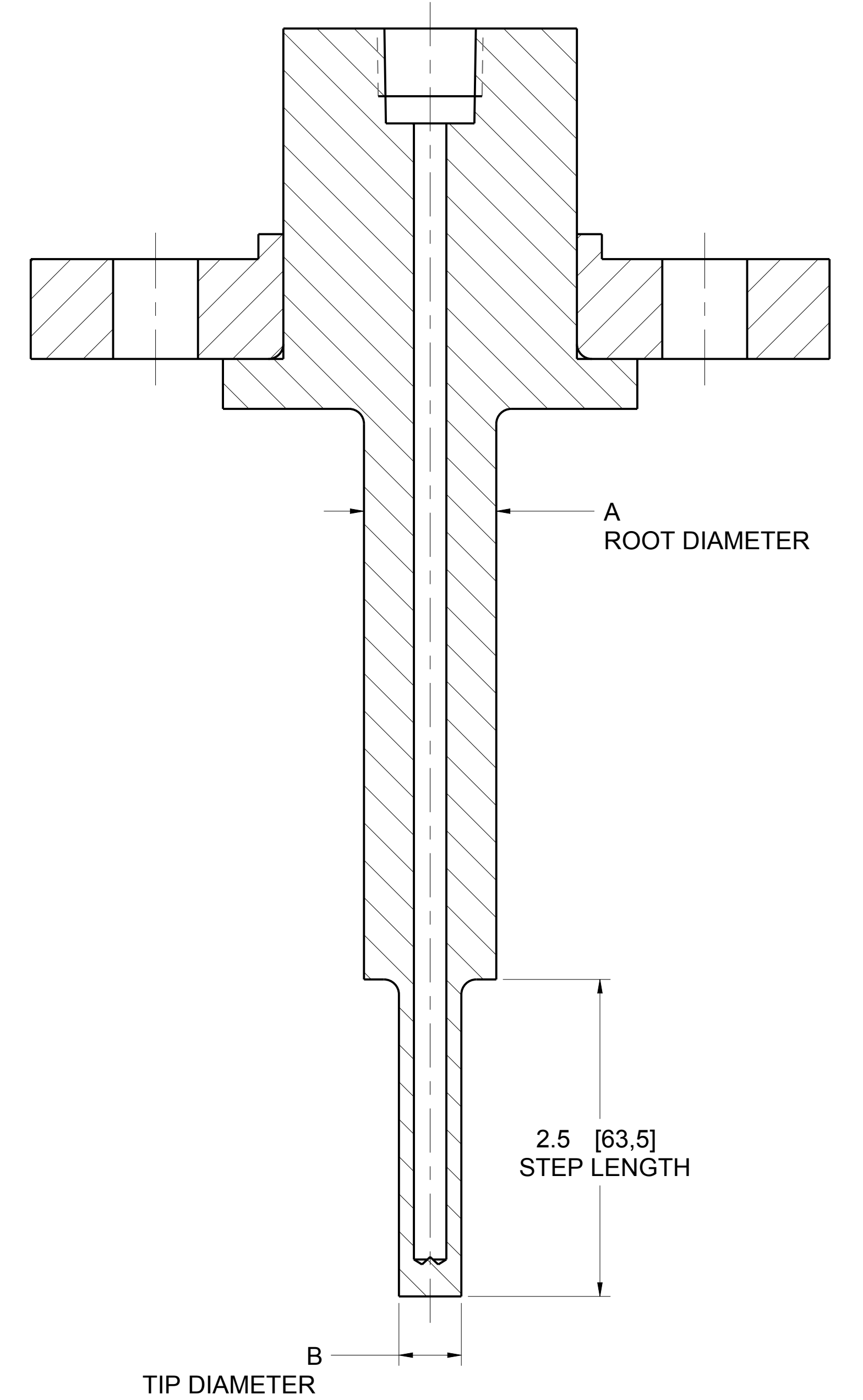
# VAN STONE/ LAP FLANGE THERMOWELLS



STRAIGHT



TAPERED



STEPPED

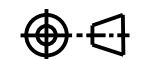
©2015 ROSEMOUNT INC. ROSEMOUNT INC. CERTIFIES THIS DRAWING AS BEING ACCORDANCE WITH ROSEMOUNT ENGINEERING SPECIFICATIONS. UNIT NOTES IN INCHES (mm). REFERENCE ROSEMOUNT PRODUCT SPECIFICATIONS. CLICK HERE	3RD ANGLE	SIZE D	SCALE NTS
	TITLE <b>ROSEMOUNT THERMOWELLS          TYPE I DRAWING</b>		
	DR. S.MENDULE APP'D J. REUVERS	5/29/15 7/25/15	DRAWING NO. <b>00114-7000</b>



VAN STONE/ LAP FLANGE THERMOWELLS

CODE	CODE	MOUNTING STYLE	LAGGING DIAMETER "Ø C"	STUB DIAMETER "Ø K" STANDARD RAISED FACE	STUB DIAMETER "Ø K" RING TYPE JOINT OPTION R16	STUB THICKNESS "F" STANDARD RAISED FACE	STUB THICKNESS "F" RING TYPE JOINT OPTION R16	ROOT DIAMETER STEPPED STEM "Ø As"	ROOT DIAMETER TAPERED STEM "Ø At"	TIP DIAMETER TAPERED STEM "Ø Bt"	ROOT DIAMETER STRAIGHT STEM "Ø Astr"
	V	VAN STONE , LAP FLANGE									
	PROCESS CONNECTION										
AA		1" CLASS 150	1.31 [33.4]	1.99 [50.8]	2.50 [63.5]	.394 [10]	.644 [16.35]	.75 [19]	.89 [22.5]	.63 [16]	.75 [19]
AB		1 1/2" CLASS 150	1.90 [48.3]	2.87 [73]	3.25 [82.5]		.644 [16.35]	.85 [21.5]	1.04 [26.5]	.71 [18]	.85 [21.5]
AC		2" CLASS 150	2.37 [60.3]	3.62 [92.1]	4 [102]		.644 [16.35]	.85 [21.5]	1.04 [26.5]	.71 [18]	.85 [21.5]
AH		1" CLASS 300	1.31 [33.4]	1.99 [50.8]	2.75 [70]		.644 [16.35]	.75 [19]	.89 [22.5]	.63 [16]	.75 [19]
AJ		1 1/2" CLASS 300	1.90 [48.3]	2.87 [73]	3.56 [90.5]		.644 [16.35]	.85 [21.5]	1.04 [26.5]	.71 [18]	.85 [21.5]
AK		2" CLASS 300	2.37 [60.3]	3.62 [92.1]	4.25 [108]		.707 [17.92]	.85 [21.5]	1.04 [26.5]	.71 [18]	.85 [21.5]
AL		1" CLASS 400/600	1.31 [33.4]	1.99 [50.8]	2.75 [70]		.644 [16.35]	.75 [19]	.89 [22.5]	.63 [16]	.75 [19]
AM		1 1/2" CLASS 400/600	1.90 [48.3]	2.87 [73]	3.56 [90.5]		.644 [16.35]	.85 [21.5]	1.04 [26.5]	.71 [18]	.85 [21.5]
AN		2" CLASS 400/600	2.37 [60.3]	3.62 [92.1]	4.25 [108]		.707 [17.92]	.85 [21.5]	1.04 [26.5]	.71 [18]	.85 [21.5]
AP		1" CLASS 900/1500	1.31 [33.4]	1.99 [50.8]	2.81 [71.5]		.644 [16.35]	.75 [19]	.89 [22.5]	.63 [16]	.75 [19]
AQ		1 1/2" CLASS 900/1500	1.90 [48.3]	2.87 [73]	3.62 [92]		.644 [16.35]	.85 [21.5]	1.04 [26.5]	.71 [18]	.85 [21.5]
AR		2" CLASS 900/1500	2.37 [60.3]	3.62 [92.1]	4.88 [124]		.707 [17.92]	.85 [21.5]	1.04 [26.5]	.71 [18]	.85 [21.5]
AS		1" CLASS 2500	1.31 [33.4]	1.99 [50.8]	3.25 [82.5]		.644 [16.35]	.75 [19]	.89 [22.5]	.63 [16]	.75 [19]
AT		1 1/2" CLASS 2500	1.90 [48.3]	2.87 [73]	4.50 [114]		.707 [17.92]	.85 [21.5]	1.04 [26.5]	.71 [18]	.85 [21.5]
AU		2" CLASS 2500	2.37 [60.3]	3.62 [92.1]	5.25 [133]		.707 [17.92]	.85 [21.5]	1.04 [26.5]	.71 [18]	.85 [21.5]

©2015 ROSEMOUNT INC.  
ROSEMOUNT INC. CERTIFIES  
THIS DRAWING IS MADE IN  
ACCORDANCE WITH  
ROSEMOUNT ENGINEERING  
SPECIFICATIONS.  
UNIT NOTES IN INCHES (mm).  
REFERENCE ROSEMOUNT  
PRODUCT SPECIFICATIONS.  
CLICK HERE

3RD ANGLE  SIZE D SCALE NTS

**EMERSON**

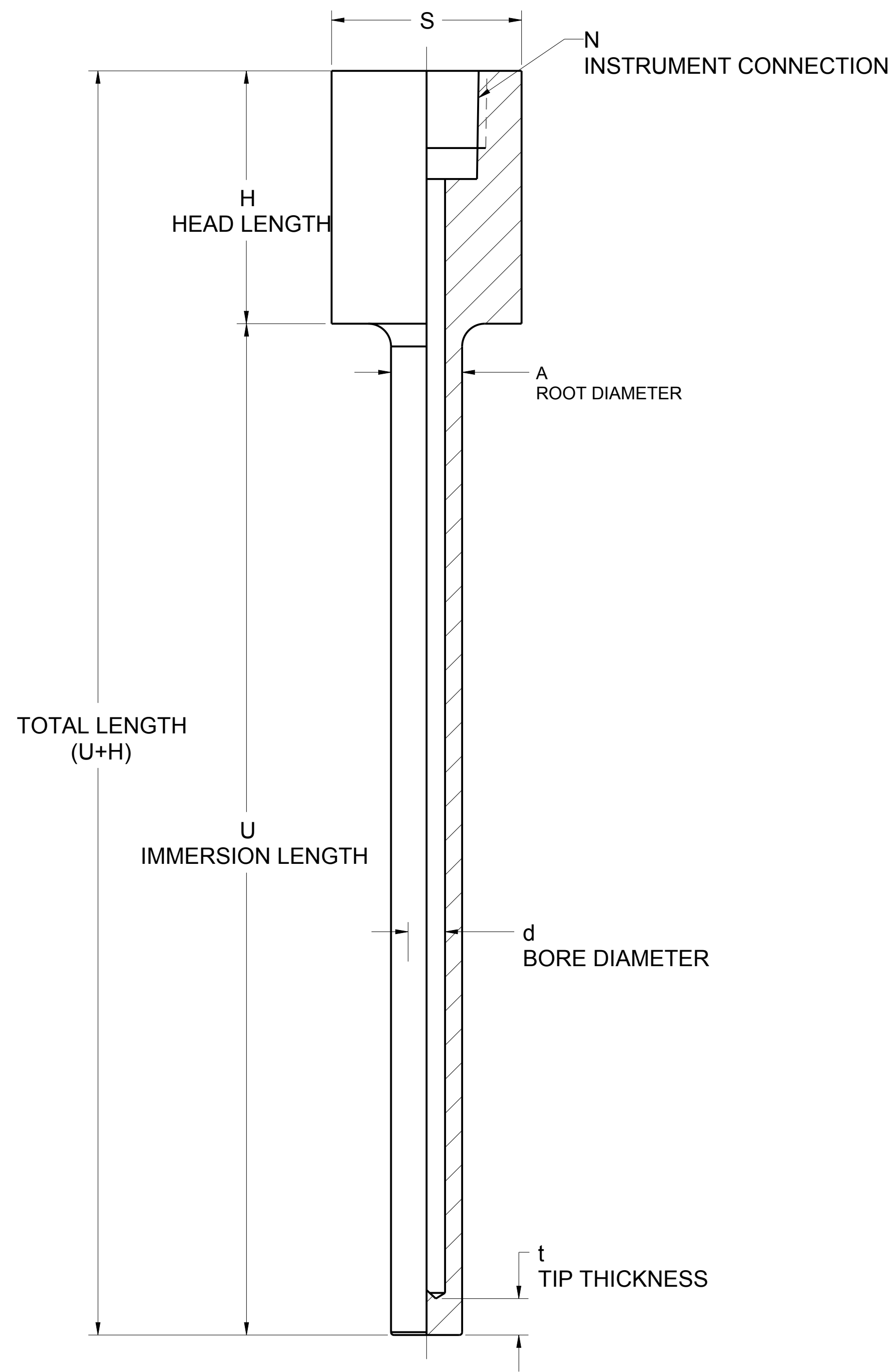
TITLE ROSEMOUNT THERMOWELLS  
TYPE I DRAWING

DR. S.MENDULE 5/29/15 DRAWING NO. 00114-7000  
APPD J. REUVERS 7/25/15

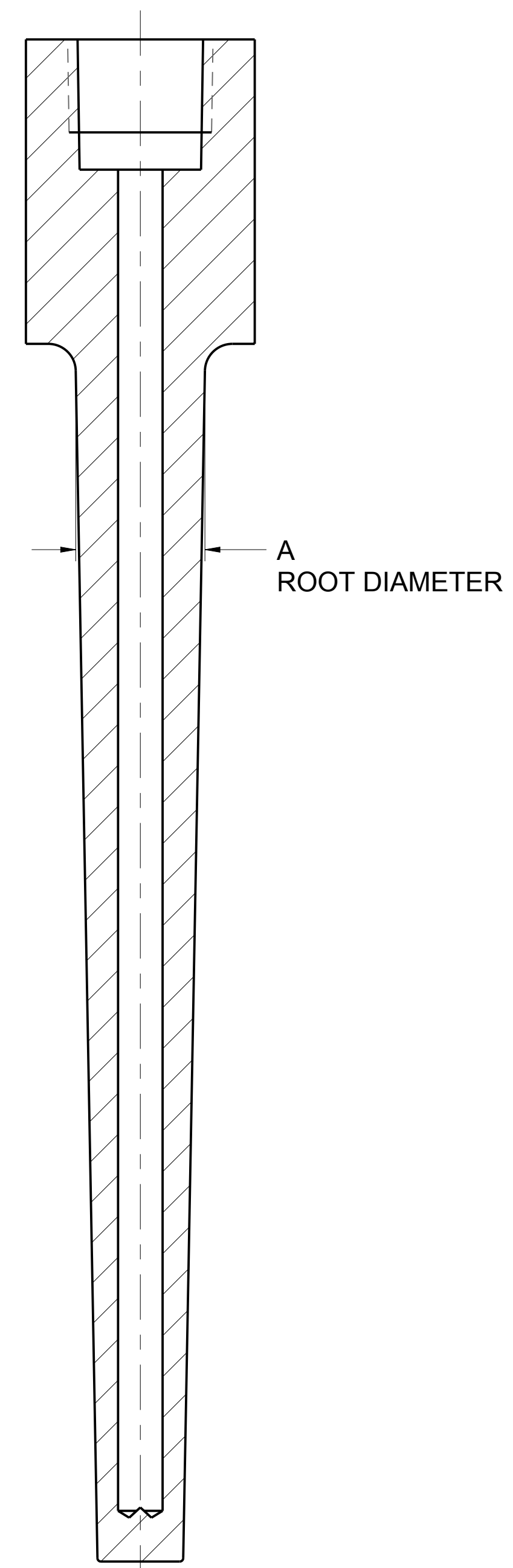
CAD MAINTAINED, (PROE) SHEET 9 OF 12

# ROSEMOUNT 114C BARSTOCK THERMOWELL

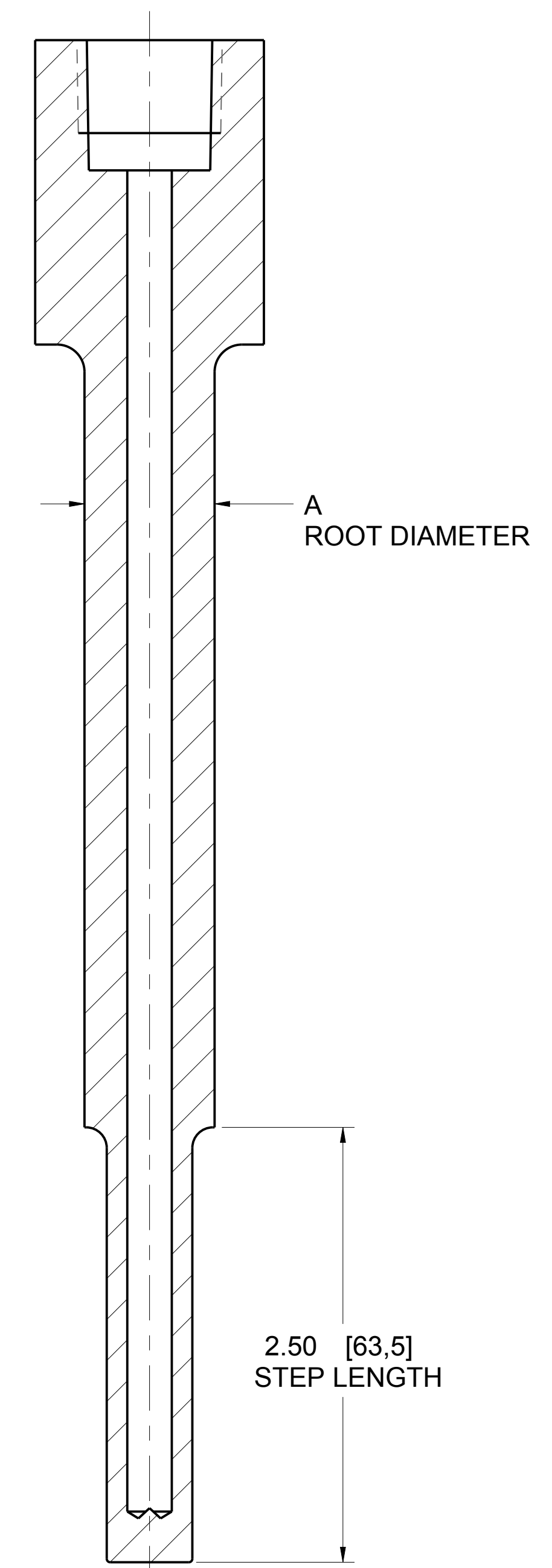
## WELD MOUNT THERMOWELLS - SOCKET WELD



STRAIGHT



TAPERED



STEPPED

CODE	CODE	MOUNTING STYLE	SOCKET SIZE "Ø S"	ROOT DIAMETER "Ø A"	TIP DIAMETER "Ø B"
	W	WELDED			
PROCESS CONNECTION					
AA	3/4" PIPE		1.05 [26.67]	.75 [19]	.5 [12.7]
AB	1" PIPE		1.32 [33.40]	.75 [19]	.5 [12.7]
AC	1 1/4" PIPE		1.66 [42.16]	.75 [19]	.5 [12.7]
AD	1 1/2" PIPE		1.90 [48.26]	.75 [19]	.5 [12.7]

©2015 ROSEMOUNT INC.  
ROSEMOUNT INC. CERTIFIES  
THIS DRAWING IS IN  
ACCORDANCE WITH  
ROSEMOUNT ENGINEERING  
SPECIFICATIONS.  
UNIT NOTES IN INCHES (mm).  
REFERENCE ROSEMOUNT  
PRODUCT SPECIFICATIONS.  
CLICK HERE

3RD ANGLE

EMERSON

TITLE ROSEMOUNT THERMOWELLS  
TYPE I DRAWING

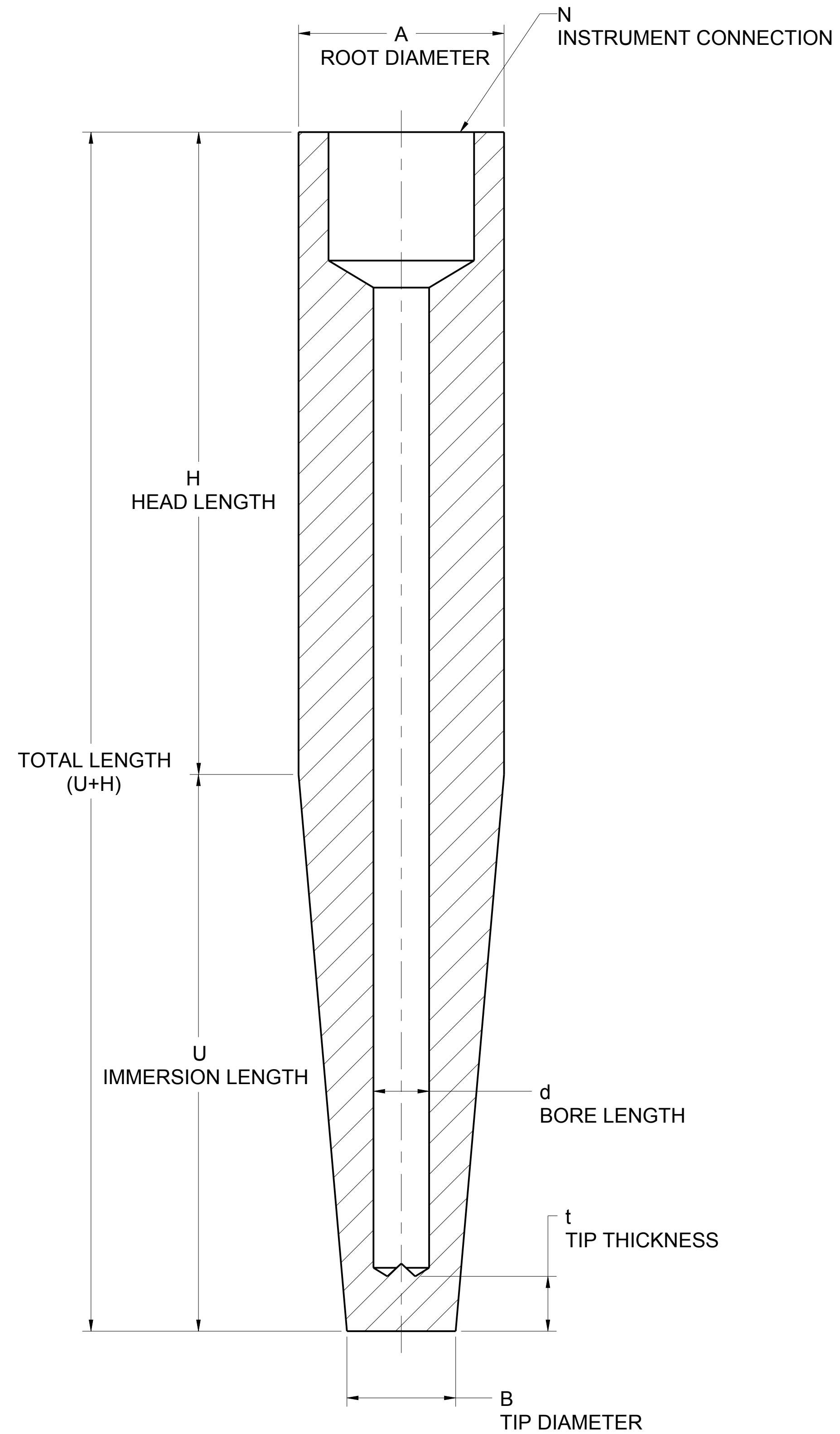
DR. S.MENDULE 5/29/15 DRAWING NO. 00114-7000  
APPD J. REUVERS 7/25/15

CAD MAINTAINED, (PROE) SHEET 10 OF 12

# ROSEMOUNT 114C BARSTOCK THERMOWELL

## WELD MOUNT - WELD-IN THERMOWELLS

CODE	CODE	MOUNTING STYLE	ROOT DIAMETER "Ø A"	TIP DIAMETER "Ø B"
	D	WELDED-WELD-IN PROCESS CONNECTION		
AA		3/4" PIPE	26.67 [1.050]	19 [.748]
AB		1" PIPE	33.40 [1.315]	21.5 [.846]
AC		1 1/4" PIPE	42.16 [1.660]	26.5 [1.043]
AD		1 1/2" PIPE	48.26 [1.900]	31.75 [1.250]
AE		CUSTOM	SPECIFIED BY DESIGN MODIFIER "AXXX"	SPECIFIED BY DESIGN MODIFIER "BXXX"



©2015 ROSEMOUNT INC.  
ROSEMOUNT INC. CERTIFIES  
THIS DRAWING IS MADE  
IN ACCORDANCE WITH  
ROSEMOUNT ENGINEERING  
SPECIFICATIONS.  
UNIT NOTES IN INCHES (mm).  
REFERENCE ROSEMOUNT  
PRODUCT SPECIFICATIONS.  
CLICK HERE

3RD ANGLE

EMERSON

TITLE ROSEMOUNT THERMOWELLS  
TYPE I DRAWING

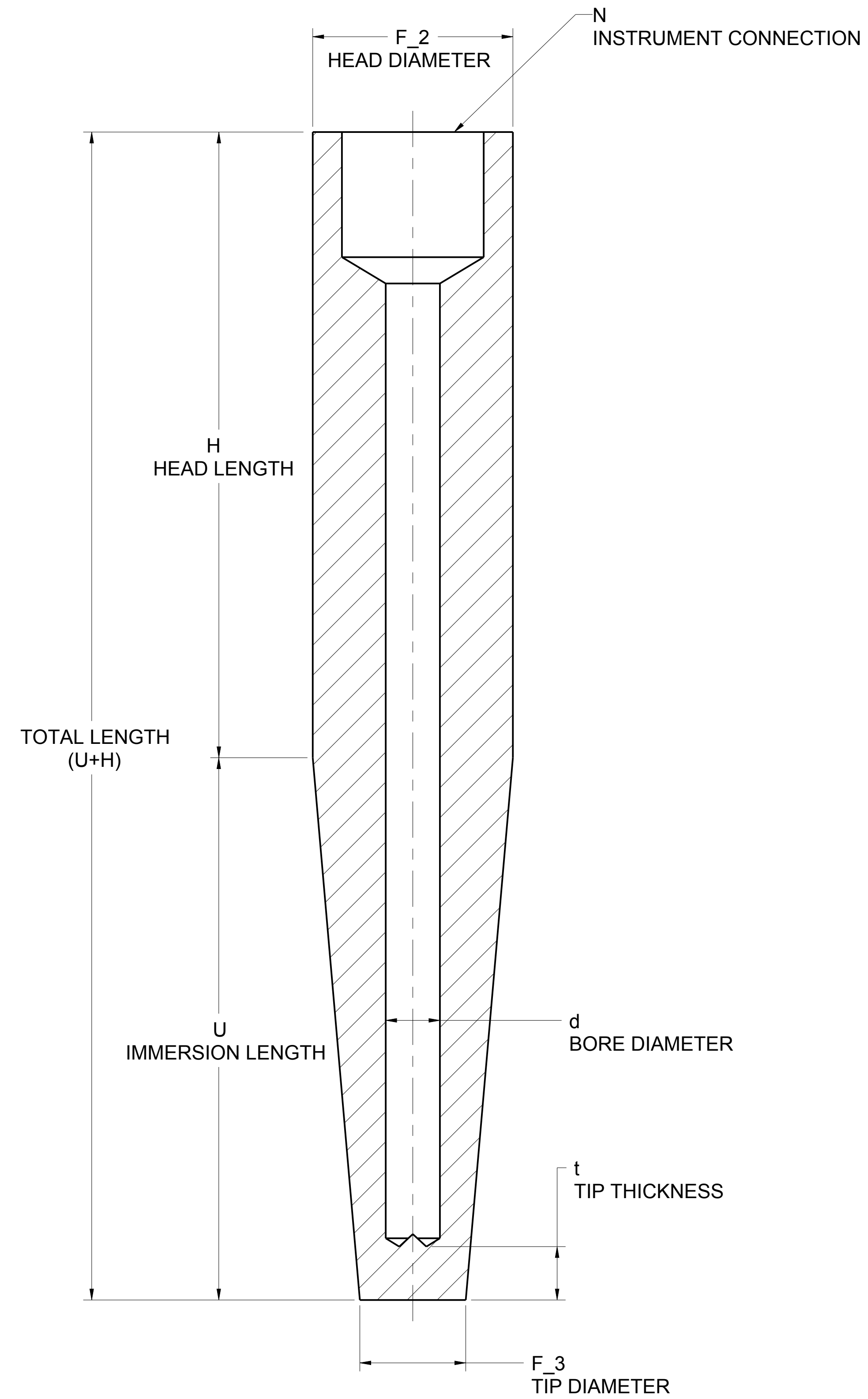
DR. S.MENDULE 5/29/15 DRAWING NO. 00114-7000  
APPD J. REUVERS 7/25/15

CAD MAINTAINED, (PROE) SHEET 11 OF 12

# ROSEMOUNT 114C BARSTOCK THERMOWELL

## WELD MOUNT THERMOWELLS - DIN FORM 4

CODE	CODE	MOUNTING STYLE	HEAD DIAMETER $\varnothing$ F_2"	TIP DIAMETER $\varnothing$ F_3"
	D	WELDED - WELD-IN PROCESS CONNECTION		
DA	DIN 43772-4-7 (18 h7 / 3.5MM BORE / M14)		18 h7 (+0.000/-0.018MM)	9± 0.27
DB	DIN 43772-4-7 (24 h7 / 7MM BORE / M18)		24 h7 (+0.000/-0.021MM)	12.5± 0.38
DC	DIN 43772-4-7 (26 h7 / 7MM BORE / G1/2 OR M20)		26 h7 (+0.000/-0.021MM)	12.5± 0.38
DD	DIN 43772-4-7 (26 h7 / 9MM BORE / G1/2 OR M20)		26 h7 (+0.000/-0.021MM)	15± 0.38
DE	DIN 43772-4-7 (32 h11 / 11MM BORE / G3/4 OR M27)		32 h11 (+0.000/-0.160MM)	17± 0.38
DH	CUSTOM		SPECIFIED BY DESIGN MODIFIER "Axxx" (+0.000/-0.021)	SPECIFIED BY DESIGN MODIFIER "Bxxx" (± .38)



©2015 ROSEMOUNT INC.  
ROSEMOUNT INC. CERTIFIES  
THIS DRAWING IS MADE IN  
ACCORDANCE WITH  
ROSEMOUNT ENGINEERING  
SPECIFICATIONS.  
UNIT NOTES IN INCHES (mm).

REFERENCE ROSEMOUNT  
PRODUCT SPECIFICATIONS.  
CLICK HERE

3RD ANGLE

SIZE D SCALE NTS

**EMERSON**

TITLE ROSEMOUNT THERMOWELLS  
TYPE I DRAWING

DR. S.MENDULE	5/29/15	DRAWING NO.	00114-7000
APP'D J. REUVERS	7/25/15		

CAD MAINTAINED, (PROE) SHEET 12 OF 12