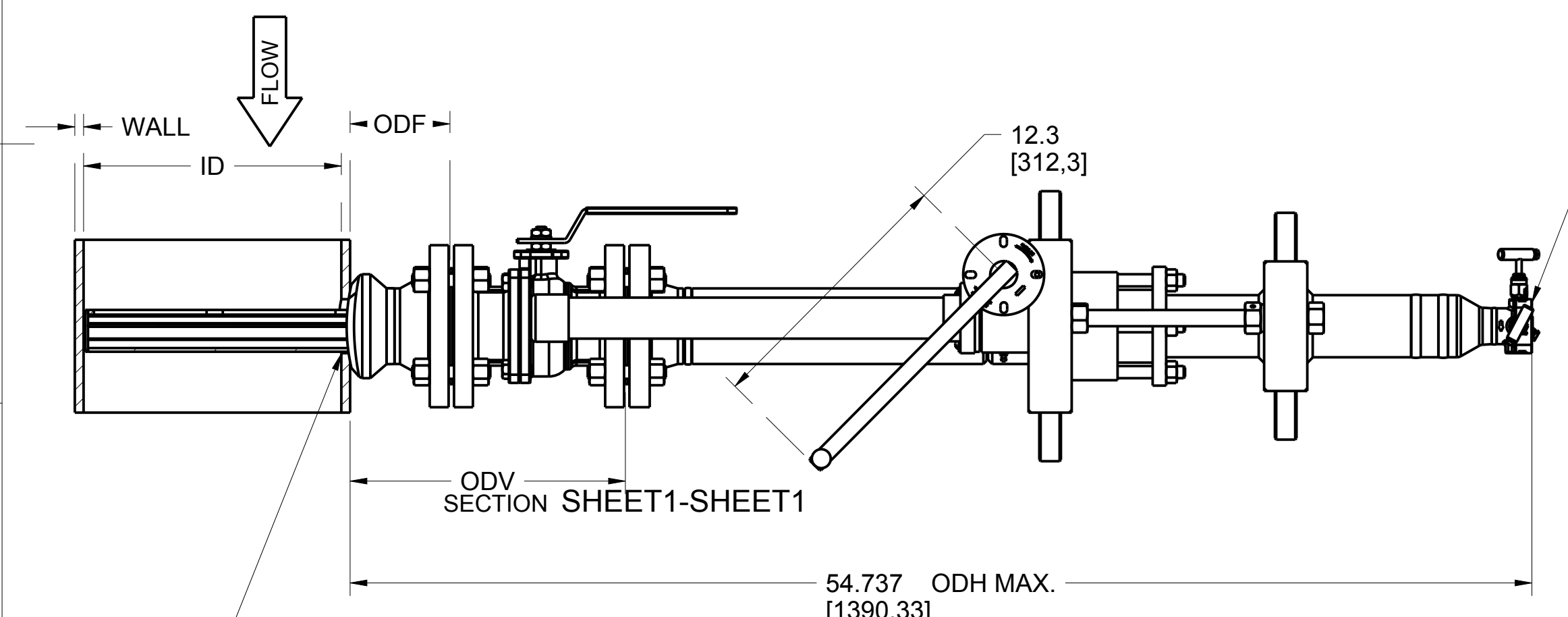
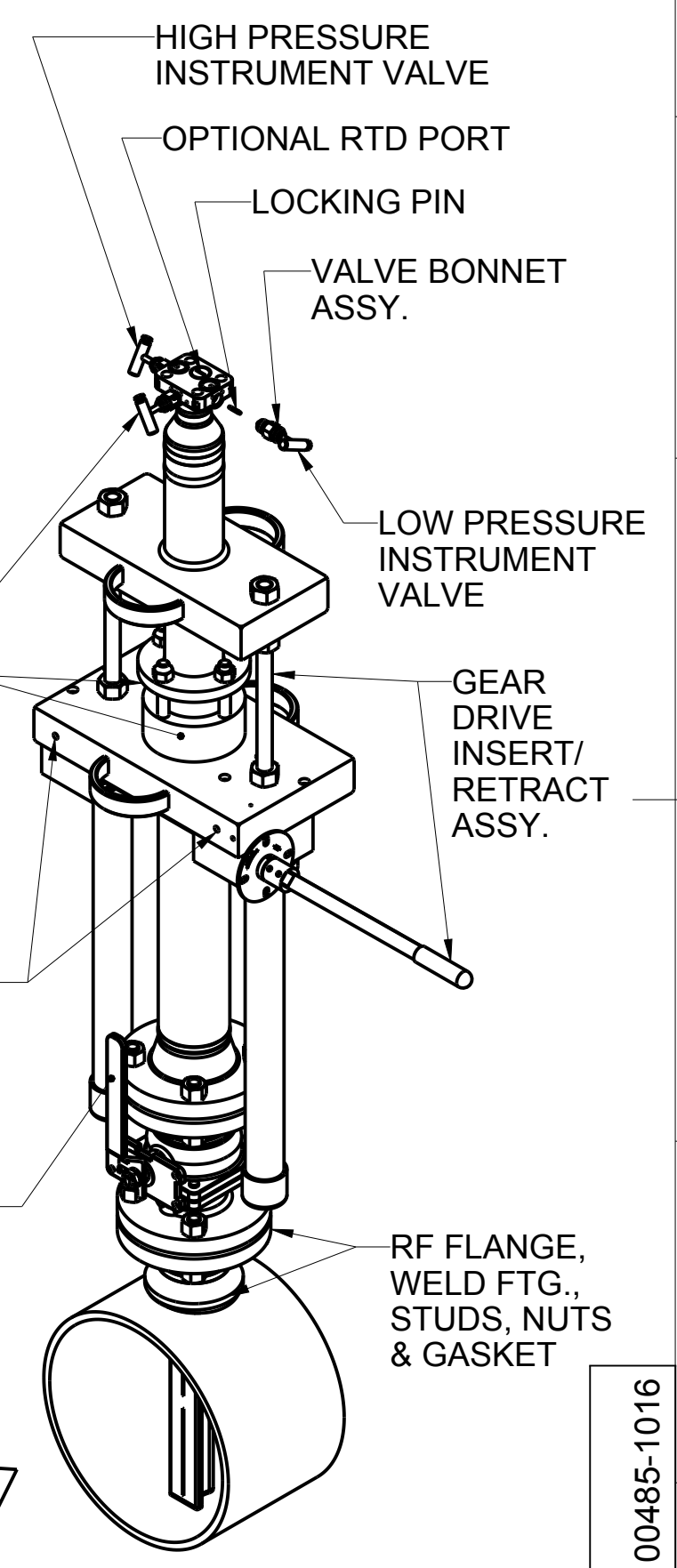
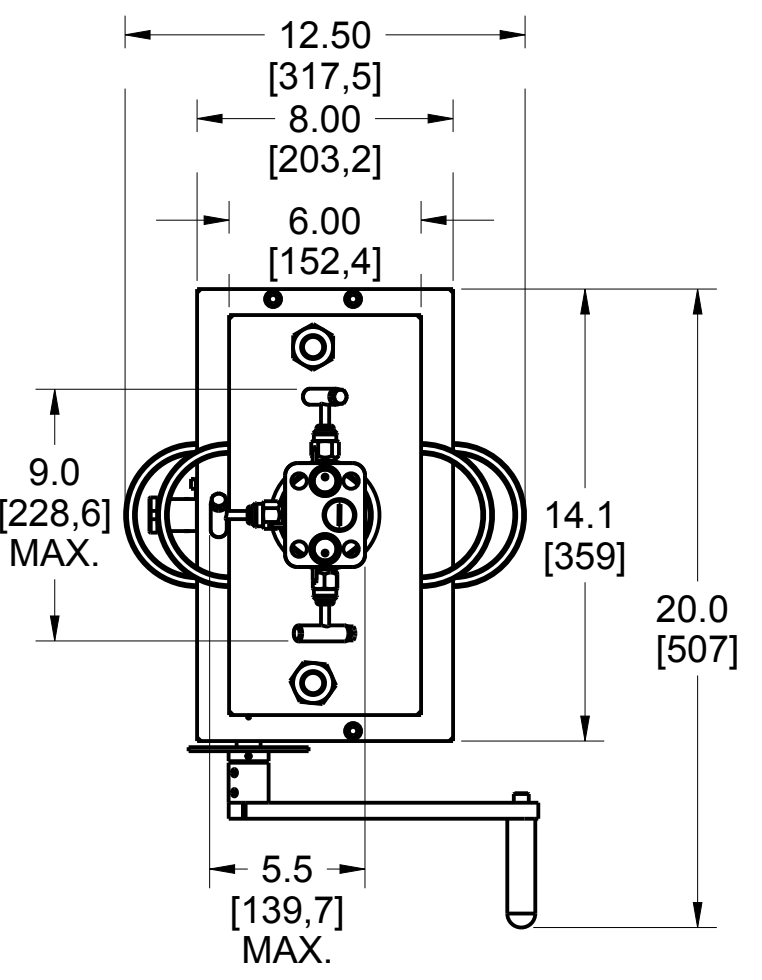
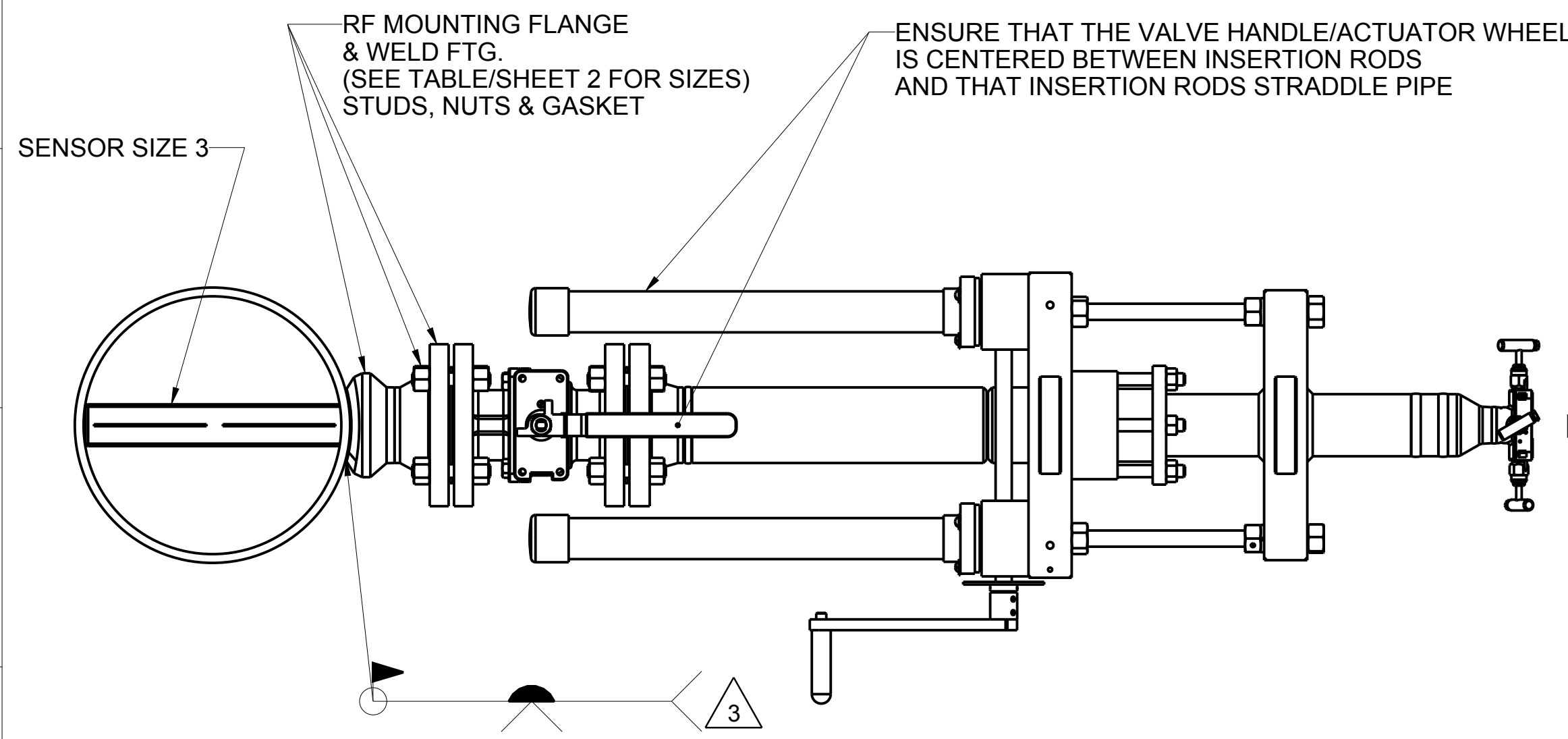


REVISION TABLE			
REVISION	ECO NO.	APP'D	DATE
AE	DS11053064	JR	10/15/15
DESCRIPTION			
REDRAWN IN PROE			



54.737 ODH MAX. [1390,33]
 PROBE INSERTED: PI
 FORMULA FOR 'PI' = ID + WALL + ODV + 26.37" [669,8]
 PROBE RETRACTED: PR
 FORMULA FOR 'PR' = 2x (ID + WALL + ODV) + 26.37" [669,8]

NOTICE
 FOR ACCURATE FLOW MEASUREMENT
 THE CORRECT HOLE SIZE IN PIPE MUST BE
2-1/2 INCH(64mm)
 DO NOT DRILL OVERSIZE
 DO NOT TORCH CUT HOLE

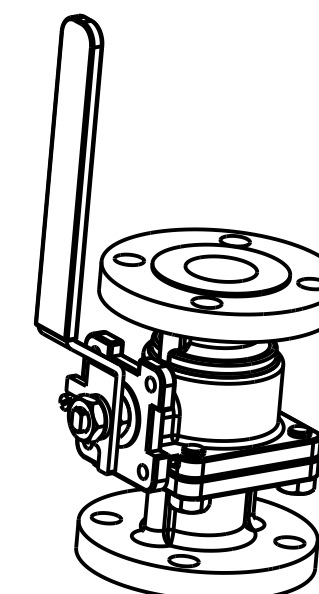
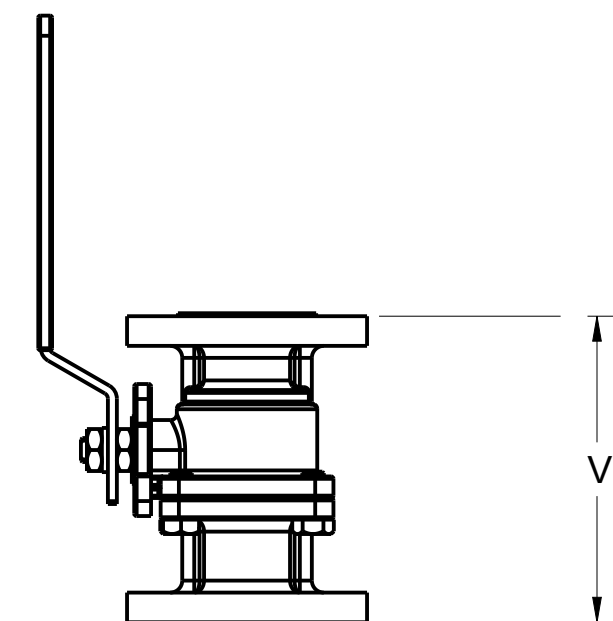
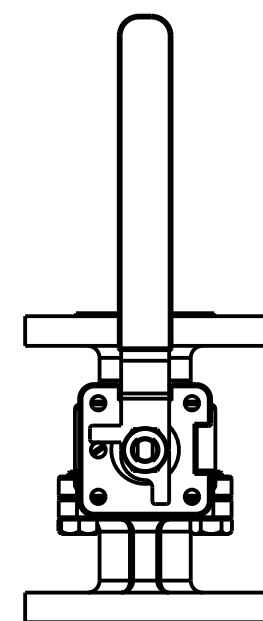
NOTE: ALL INFORMATION SHOWN IS (TYP), UNLESS OTHERWISE SPECIFIED REGARDLESS OF FLO-TAP TYPE OR HEAD STYLE

CONFIDENTIAL AND PROPRIETARY INFORMATION IS CONTAINED HEREIN AND MUST BE HANDLED ACCORDINGLY. ROSEMOUNT	SURFACE FINISH UNLESS OTHERWISE SPECIFIED	125	3RD ANGLE		SIZE C	SCALE 1/6	REV AE
UNLESS OTHERWISE SPECIFIED DIMENSIONS IN INCHES [mm]. REMOVE ALL BURRS AND SHARP EDGES.	 8200 Market Boulevard - Chanhassen, MN 55317 USA						
-DEC TOLERANCES- .X ± .1 [2,5] .XX ± .02 [0,5] .XXX ± .010 [0,25]	TITLE DIMENSION DRAWING, MODEL 485 ANNUBAR FLOWMETER (3051SFA, 3051CFA 2051CFA, 3095MFA) SENSOR SIZE 3 FLO-TAP 150#-600# ANSI						
FRACTIONS ± 1/32	ANGLES ± 2'	DR. SGE	07/13/15	DRAWING NO.	00485-1016		
APP'D JR	07/13/15						
DO NOT SCALE PRINT	CAD MAINTAINED, (PROE)	PRODUCT CODE	DOC TYPE	SHEET 1 OF 4			

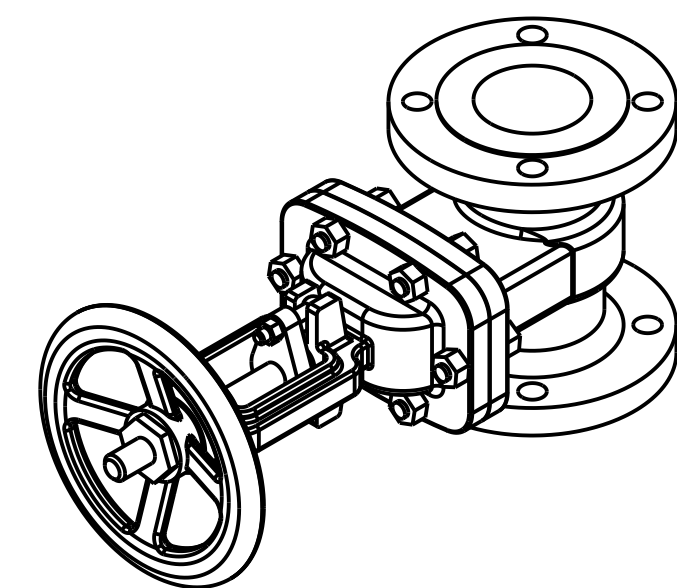
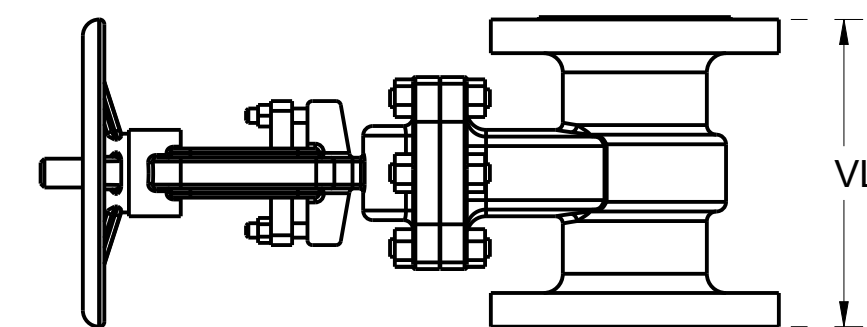
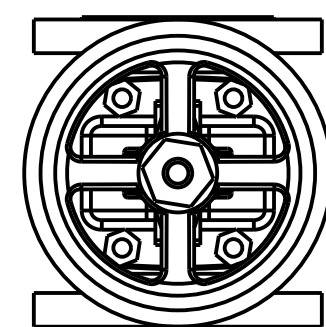
DRAWING NO. 00485-1016

FORM REV/AB

FLO-TAP SENSOR SIZE 3						
				ALL FLO-TAP		
Min. Rod Reynolds	Probe Width	Flange Rating	Flange Size [NPS] OR Thread Size	ODF	FLANGE VL ±.375 [9.5] BALL / GATE	ODV ±.500 [12.7]
25000	1.935 [49.15]	150# ANSI	3sch40	4.63 [117.6]	8.00 [203.2]	12.75 [323.9]
		300# ANSI		5.00 [127.0]	11.13 [282.7]	16.25 [412.8]
		600# ANSI		5.38 [136.7]	14.00 [355.6]	19.50 [495.3]
		DN/PN 16	DN40	3.85 [97.8]	APPLICATION SPECIFIC DIMENSION	
		DN/PN 40		4.16 [105.7]		
		DN/PN 100		4.95 [125.7]		
150# RTJ	3sch40	4.81 [122.2]	8.00 [203.2]	12.94 [328.6]		
300# RTJ		5.25 [133.4]	11.13 [282.7]	16.50 [419.1]		
600# RTJ		5.69 [144.5]	14.00 [355.6]	19.82 [503.3]		



FULL PORT BALL VALVE

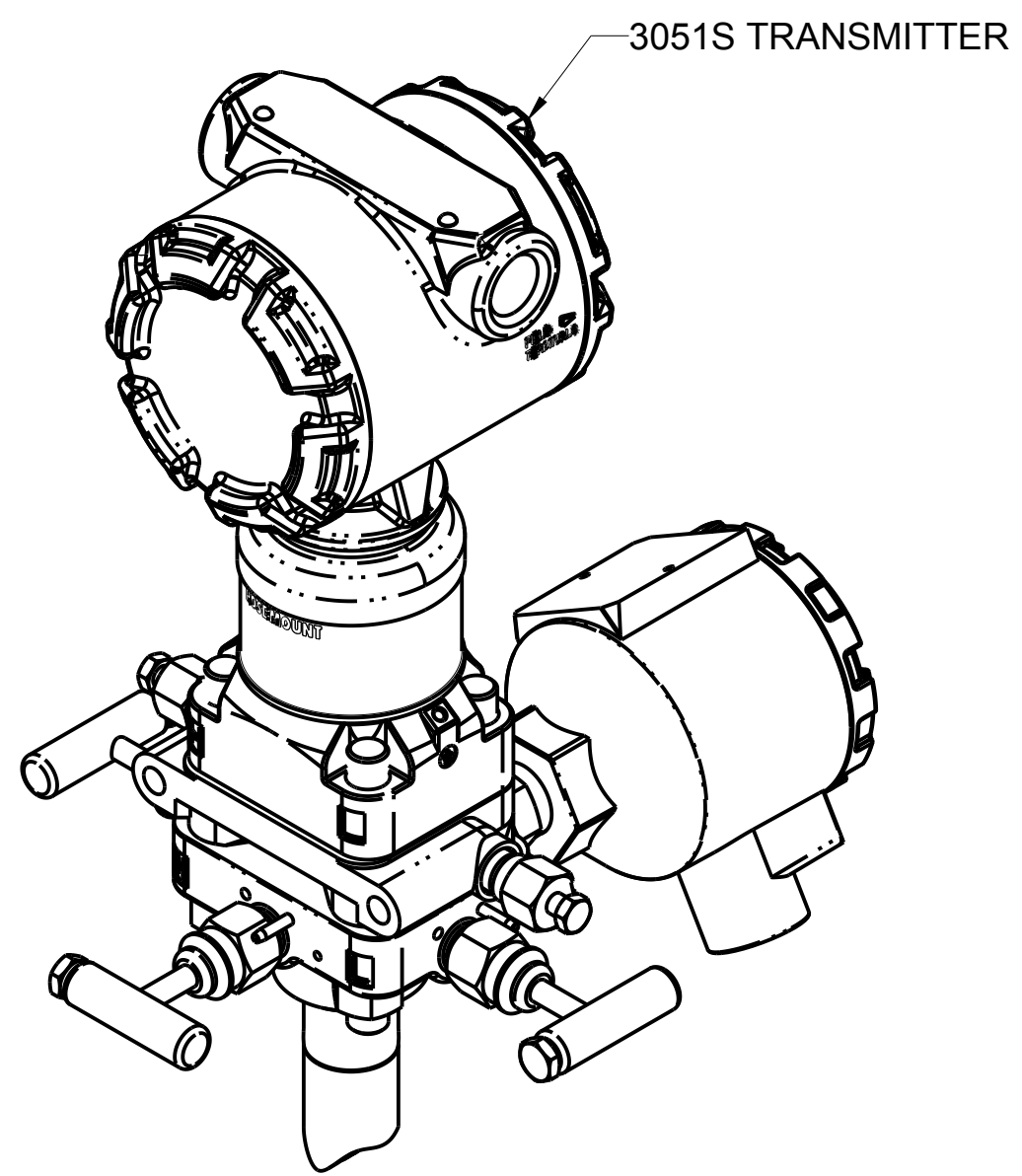


FULL PORT GATE VALVE

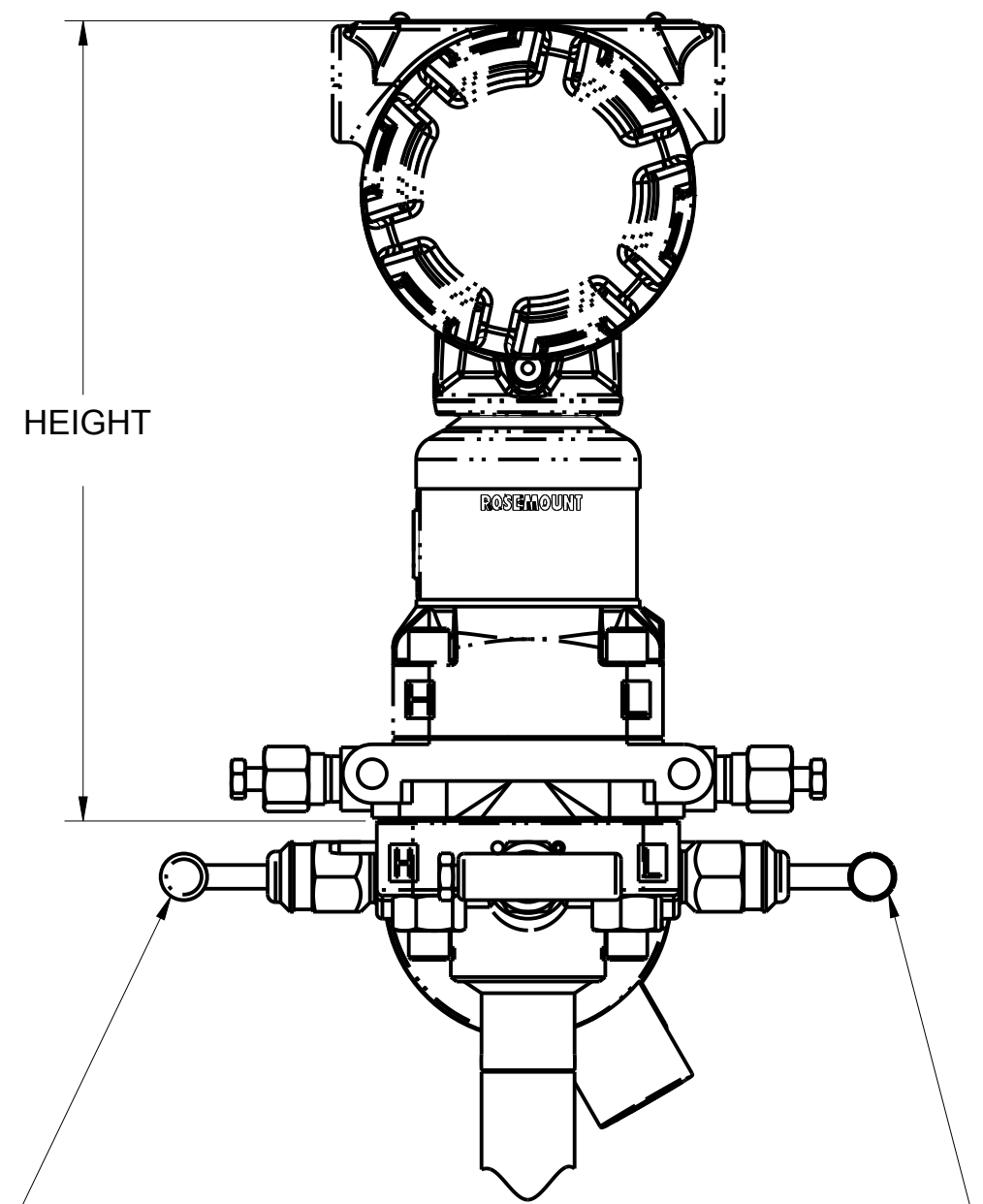
- NOTES:
- ROSEMOUNT INC. CERTIFIES THIS DRAWING IS IN ACCORDANCE WITH ROSEMOUNT ENGINEERING SPECIFICATIONS AND ACCURATELY REPRESENTS THE EQUIPMENT FURNISHED.
 - ALL ORIENTATIONS SHOWN FOR REFERENCE ONLY. FOR ACTUAL RECOMMENDED LOCATIONS AND ORIENTATIONS REFER TO INSTALLATION INSTRUCTION MANUAL 00809-0100-4809. QUICK INSTALLATION GUIDE (QIG) 00825-0500-4809 (THREADED FLO-TAP) OR 00825-0400-4809 (FLANGED FLO-TAP).
 - FIELD WELD. REFER TO INSTALLATION INSTRUCTIONS FOR WELD REQUIREMENTS.
 - MAXIMUM PRESSURE: 600lb ANSI EQUIVALENT (1440 PSIG AT 100° F/9928.5Kpa g at 37.8C) FOR 316SS.
 - MAX TEMPERATURE: 500° F (260C) FOR INTEGRAL TRANSMITTER MOUNTING
850° F (454.4C) FOR STAINLESS STEEL REMOTE TRANSMITTER MOUNTING
850° F (454.4C) FOR HASTELLOY REMOTE TRANSMITTER MOUNTING
 - FOR MODEL SELECTIONS, REFER TO ROSEMOUNT PRODUCT DATA SHEETS.

DRAWING NO. 00485-1016

CONFIDENTIAL AND PROPRIETARY INFORMATION IS CONTAINED HEREIN AND MUST BE HANDLED ACCORDINGLY. ROSEMOUNT		SURFACE FINISH UNLESS OTHERWISE SPECIFIED	125	3RD ANGLE		SIZE C	SCALE 1/12	REV AE
UNLESS OTHERWISE SPECIFIED DIMENSIONS IN INCHES [mm]. REMOVE ALL BURRS AND SHARP EDGES.								
-DEC TOLERANCES-		TITLE DIMENSION DRAWING, MODEL 485 ANNUBAR FLOWMETER (3051SFA, 3051CFA 2051CFA, 3095MFA) SENSOR SIZE 3 FLO-TAP 150#-600# ANSI						
.X ± .1 [2.5]	.XX ± .02 [0.5]	DR. SGE		07/13/15		DRAWING NO.		
.XXX ± .010 [0.25]	FRACTIONS ± 1/32	APP'D JR		07/13/15		00485-1016		
ANGLES ± 2°		DO NOT SCALE PRINT		CAD MAINTAINED, (PRO/E)		PRODUCT CODE		DOC TYPE SHEET 2 OF 4



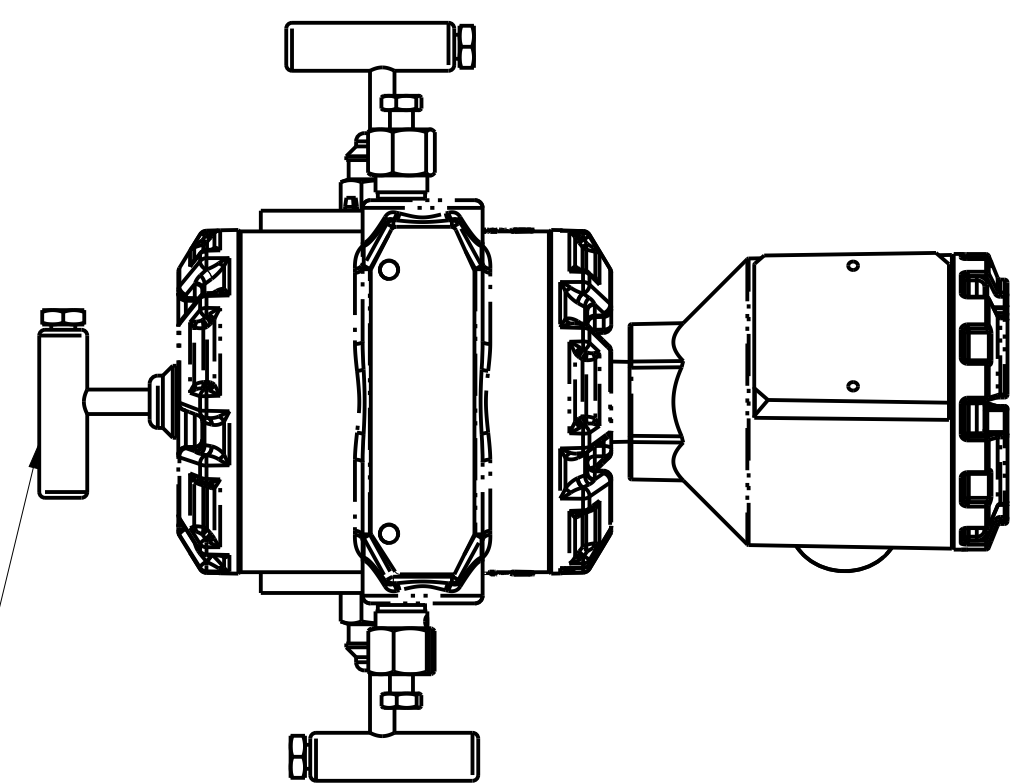
3051SFA, STD HARDWARE



LOW PRESSURE INSTRUMENT VALVE

HIGH PRESSURE INSTRUMENT VALVE

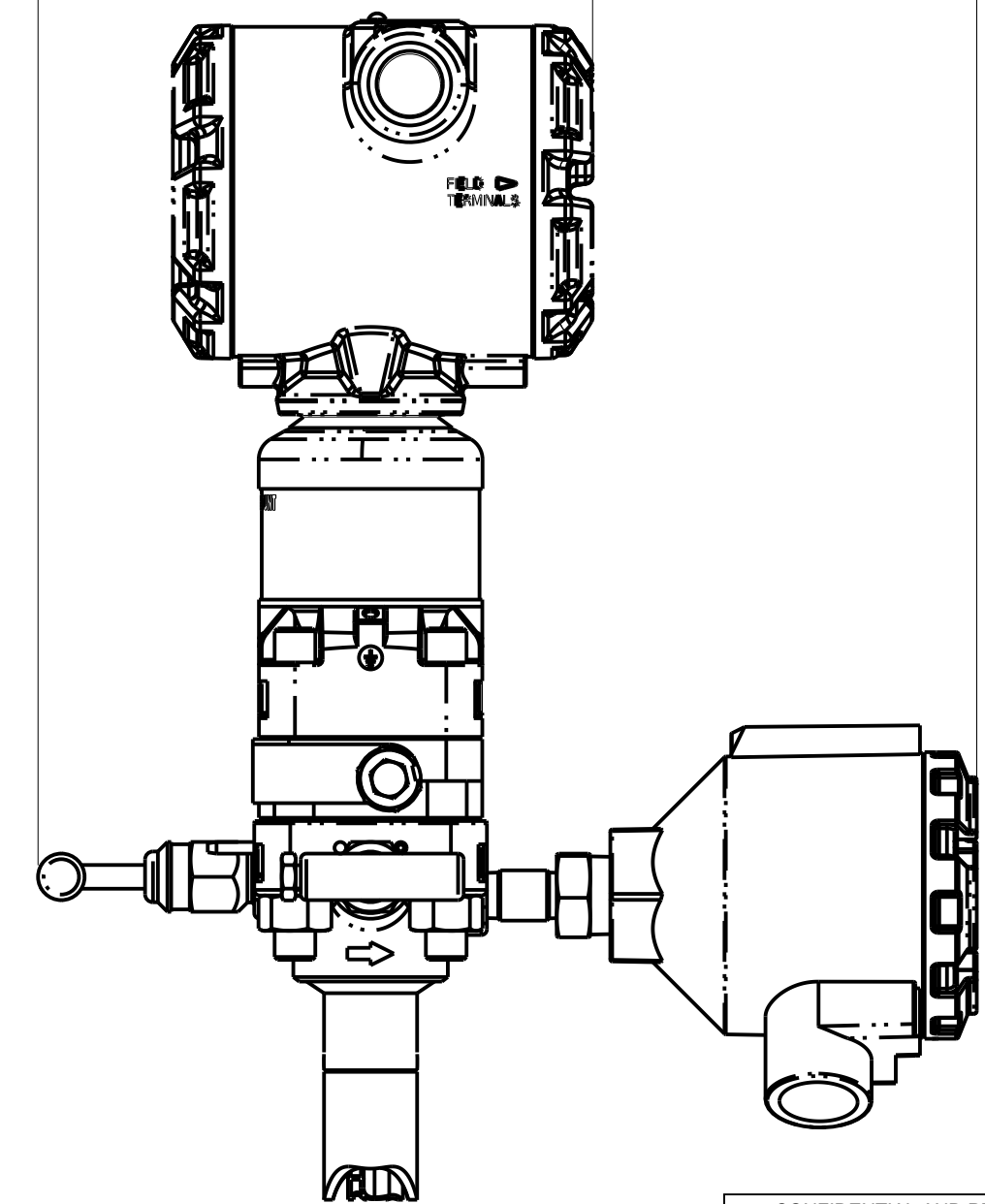
3051SFA SHOWN



EQUALIZER VALVE

TEMP WIDTH

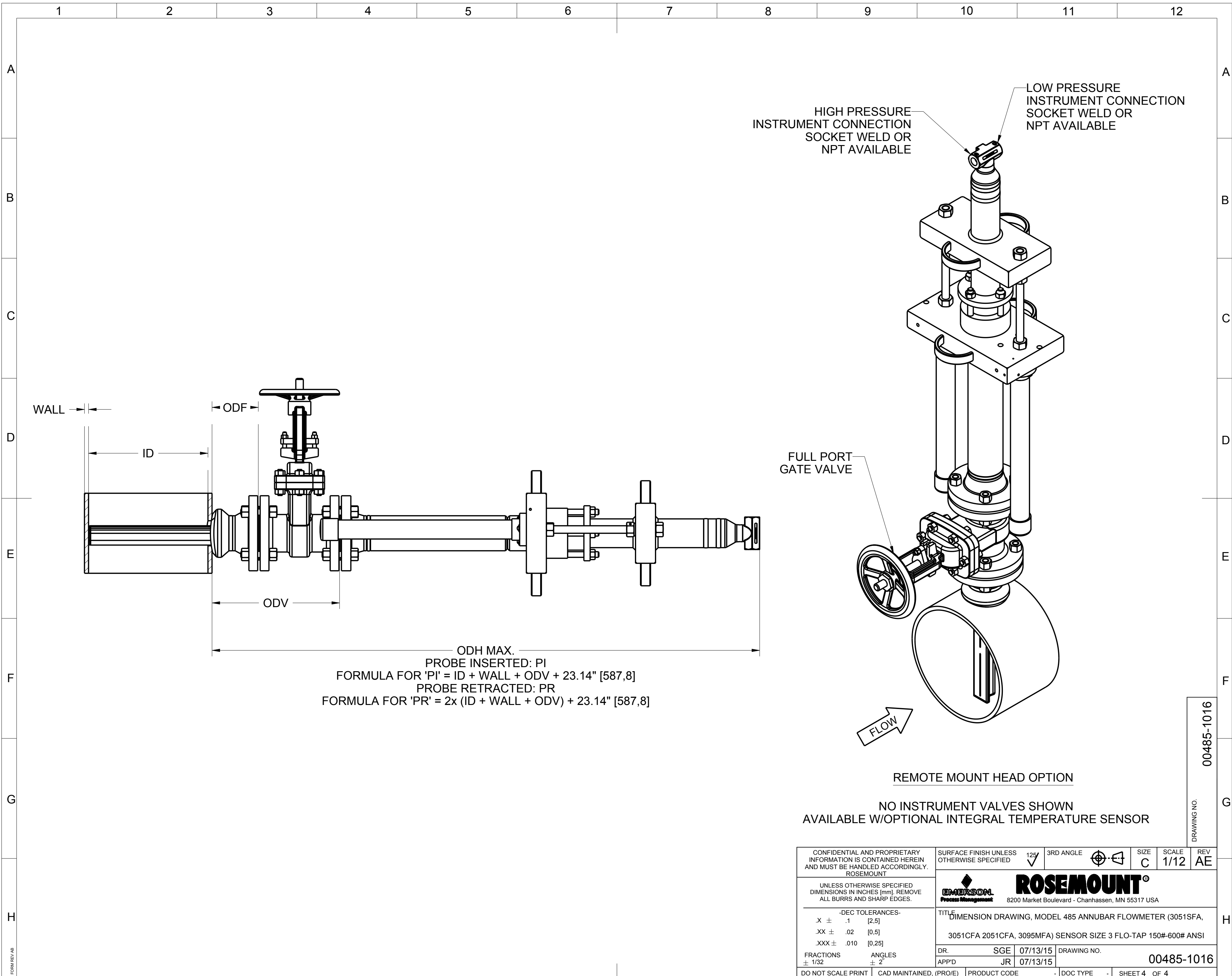
WIDTH



FLOWMETER	HEIGHT	WIDTH	TEMP WIDTH
2051CFA	7.03 [178,5]	5.50 [139,7]	10.09 [256,3]
3051CFA	7.10 [181,0]	5.67 [144,0]	
3051SFA	8.53 [216,7]	5.67 [144,0]	
3095MFA	7.10 [181,0]	5.67 [144,0]	

CONFIDENTIAL AND PROPRIETARY INFORMATION IS CONTAINED HEREIN AND MUST BE HANDLED ACCORDINGLY. ROSEMOUNT		SURFACE FINISH UNLESS OTHERWISE SPECIFIED		125	3RD ANGLE		SIZE C	SCALE 1/12	REV AE
UNLESS OTHERWISE SPECIFIED DIMENSIONS IN INCHES [mm]. REMOVE ALL BURRS AND SHARP EDGES.		ROSEMOUNT® 8200 Market Boulevard - Chanhassen, MN 55317 USA							
-DEC TOLERANCES-		TITLE DIMENSION DRAWING, MODEL 485 ANNUBAR FLOWMETER (3051SFA, 3051CFA 2051CFA, 3095MFA) SENSOR SIZE 3 FLO-TAP 150#-600# ANSI							
.X ± .1 [2,5]	.XX ± .02 [0,5]	DR. SGE		07/13/15	DRAWING NO.				
.XXX ± .010 [0,25]	FRACTIONS ± 1/32	ANGLES ± 2°		APP'D JR	07/13/15	00485-1016			
DO NOT SCALE PRINT		CAD MAINTAINED, (PRO/E)	PRODUCT CODE	DOC TYPE	SHEET 3 OF 4				

DRAWING NO. 00485-1016



DRAWING NO. 00485-1016

CONFIDENTIAL AND PROPRIETARY INFORMATION IS CONTAINED HEREIN AND MUST BE HANDLED ACCORDINGLY. ROSEMOUNT	SURFACE FINISH UNLESS OTHERWISE SPECIFIED	125	3RD ANGLE		SIZE C	SCALE 1/12	REV AE
	EMERSON Process Management						
UNLESS OTHERWISE SPECIFIED DIMENSIONS IN INCHES [mm]. REMOVE ALL BURRS AND SHARP EDGES.	TITLE DIMENSION DRAWING, MODEL 485 ANNUBAR FLOWMETER (3051SFA, 3051CFA 2051CFA, 3095MFA) SENSOR SIZE 3 FLO-TAP 150#-600# ANSI						
-DEC TOLERANCES- .X ± .1 [2.5] .XX ± .02 [0.5] .XXX ± .010 [0.25]	DR. SGE	07/13/15	DRAWING NO.				
FRACTIONS ± 1/32	ANGLES ± 2°	APP'D JR	07/13/15	00485-1016			
DO NOT SCALE PRINT	CAD MAINTAINED, (PRO/E)	PRODUCT CODE	DOC TYPE	SHEET 4 OF 4			