

## Features

- Unique double disc design with overtravel provides redundant sealing for leak tight shutoff
- Visual indication of open and shut position
- Proof of closure switch 1 amp
- 2-way normally closed operation
- Zero differential piloted diaphragm
- For on-off control of fuel gas in commercial and industrial gas burners
- Valves provided with 1/8" NPT upstream and downstream pipe taps with plugs for routine testing
- 5 lb. closing spring for high force shut-off

## Fluid

Fuel Gas

## Construction

Valve Parts in Contact with Fluids	
Body	Aluminum
Seals and Disc	NBR
Washer	302 Stainless Steel
Core Tube	304L Stainless Steel
Core and Plugnut	430F Stainless Steel
Springs	302F Stainless Steel
Shading Coil	Copper
Pipe Plug	Zinc-Plated Steel

## Electrical

Standard Coil and Class of Insulation	Watt Rating and Power Consumption			Ambient Temp. °F	Spare Coil Family	
	AC				General Purpose	Explosionproof
	Watts	VA Holding	VA Inrush		AC	AC
H	59.5	122	600	32 to 104	224195	-
H	66	160	936	32 to 104	224195	-
H	69	130	640	32 to 104	224195	-
H	74.5	170	990	32 to 104	224195	-

**Standard Voltages:** 120, 240 volts AC, 60 Hz.

## Proof of Closure Switch

Switch is factory set and not to be field adjusted.

**Reed Switch:** Two SPST

- (1st switch closed when valve is in closed position.)
- (2nd switch closed when valve is in open position.)

**Max. Electricity:** 1 amp, 120 volts

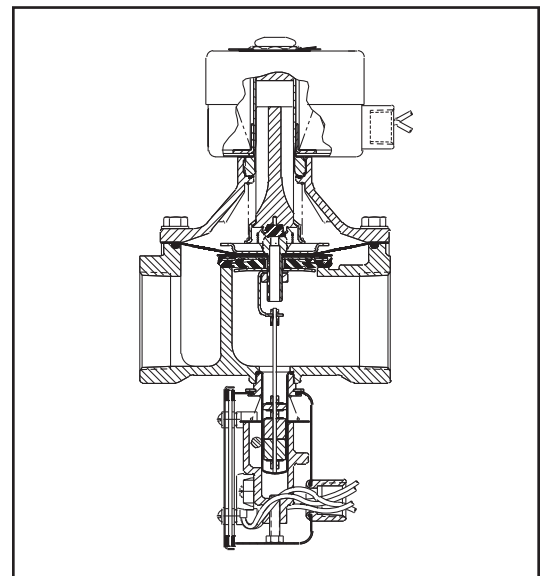
**Load:** 60 Hz, 15 watt (resistive)

**Leads:** 18" long

**Enclosure:** Type 1 General Purpose (std), Type 4 Watertight (opt)

## Solenoid Enclosures

RedHat metal Type 1 General Purpose housing with 7/8" knock-out for 1/2" conduit connection. Type 4 Watertight housing optional.



## Valve Response Time

**Opening Time:** Less than 1 second

**Closing Time:** Less than 1 second

## Approvals

UL listed to standard 429 "Electrically Operated Valves," Guide Y10Z, File MP618, Safety Valves.

FM Approved to Class 7400 "Liquid and Gas Safety Shutoff Valves."

CSA Certified to:

- 1) Standard C22.2 No 139 "Electrically Operated Valves," File 010381.
- 2) Automatic Gas Valves ANSI Z21.21, CSA 6.5 C/I Safety Shutoff, File 112872.

### Specifications (English units)

Pipe Size (in)	Orifice Size (in)	Cv Flow Factor	Gas Capacity ①	Operating Pressure Differential (psi)		Max. Fluid Temp. °F	Standard Solenoid Enclosure RedHat - Type 1		Optional Solenoid Enclosure RedHat - Type 4		Agency			Wattage	
			Btu/hr.	Min.	Max.		Catalog Number	Const. Ref.	Catalog Number	Const. Ref.	UL	FM	CSA	Type 1	Type 4
<b>COMBUSTION (Fuel Gas) - NORMALLY CLOSED</b>															
3/4	1 5/8	12.2	650,000	0	20	104	8043B037	1	8043B038	5	○	○	○	59.5	69.0
1	1 5/8	22	1,170,000	0	20	104	8043A047	1	8043A048	5	○	○	○	59.5	69.0
1 1/4	1 5/8	31	1,657,000	0	20	104	8043A057	2	8043A058	6	○	○	○	59.5	69.0
1 1/2	1 5/8	35	1,867,500	0	20	104	8043A067	2	8043A068	6	○	○	○	59.5	69.0
2	2 3/32	60	3,247,500	0	20	104	8043A077	3	8043A078	7	○	○	○	59.5	69.0
2 1/2	3	105	5,659,500	0	5	104	8043A087	4	8043A088 ②	8	○	○	○	66.0	74.5
3	3	125	6,737,500	0	5	104	8043A097	4	8043A098 ②	8	○	○	○	66.0	74.5

○ = Safety Shutoff Valve. ① 1" W.C. Drop @ 2" W.C. Inlet Pressure, 1,000 Btu/cu.ft. or more, 0.64 Specific Gravity Gas. ② Are not UL or CSA approved.

### Specifications (Metric units)

Pipe Size (in)	Orifice Size (mm)	Kv Flow (m³/hr)	Gas Capacity ①	Operating Pressure Differential (bar)		Max. Fluid Temp. °C	Standard Solenoid Enclosure RedHat - Type 1		Optional Solenoid Enclosure RedHat - Type 4		Agency			Wattage	
			Btu/hr.	Min.	Max.		Catalog Number	Const. Ref.	Catalog Number	Const. Ref.	UL	FM	CSA	Type 1	Type 4
<b>COMBUSTION (Fuel Gas) - NORMALLY CLOSED</b>															
3/4	41	10.4	650,000	0	1.4	40	8043B037	1	8043B038	5	○	○	○	59.5	69.0
1	41	18.7	1,170,000	0	1.4	40	8043A047	1	8043A048	5	○	○	○	59.5	69.0
1 1/4	41	26.4	1,657,000	0	1.4	40	8043A057	2	8043A058	6	○	○	○	59.5	69.0
1 1/2	41	29.8	1,867,500	0	1.4	40	8043A067	2	8043A068	6	○	○	○	59.5	69.0
2	53	51.0	3,247,500	0	1.4	40	8043A077	3	8043A078	7	○	○	○	59.5	69.0
2 1/2	76	89.3	5,659,500	0	0.3	40	8043A087	4	8043A088 ②	8	○	○	○	66.0	74.5
3	76	106.3	6,737,500	0	0.3	40	8043A097	4	8043A098 ②	8	○	○	○	66.0	74.5

○ = Safety Shutoff Valve. ① 1" W.C. Drop @ 2" W.C. Inlet Pressure, 1,000 Btu/cu.ft. or more, 0.64 Specific Gravity Gas. ② Are not UL or CSA approved.

### Capabilities Chart

Solenoid Options		Resilient Materials	Base Catalog Number Type 1	Standard Rebuild Kit Type 1	Base Catalog Number Type 4	Standard Rebuild Kit Type 4
Rainproof	Junction Box	NBR	Aluminum	AC	Aluminum	AC
R	JB	●	8043B037	Not Available	8043B038	Not Available
R	JB	●	8043A047	Not Available	8043A048	Not Available
R	JB	●	8043A057	Not Available	8043A058	Not Available
R	JB	●	8043A067	Not Available	8043A068	Not Available
R	JB	●	8043A077	Not Available	8043A078	Not Available
R	JB	●	8043A087	Not Available	8043A088	Not Available
R	JB	●	8043A097	Not Available	8043A098	Not Available

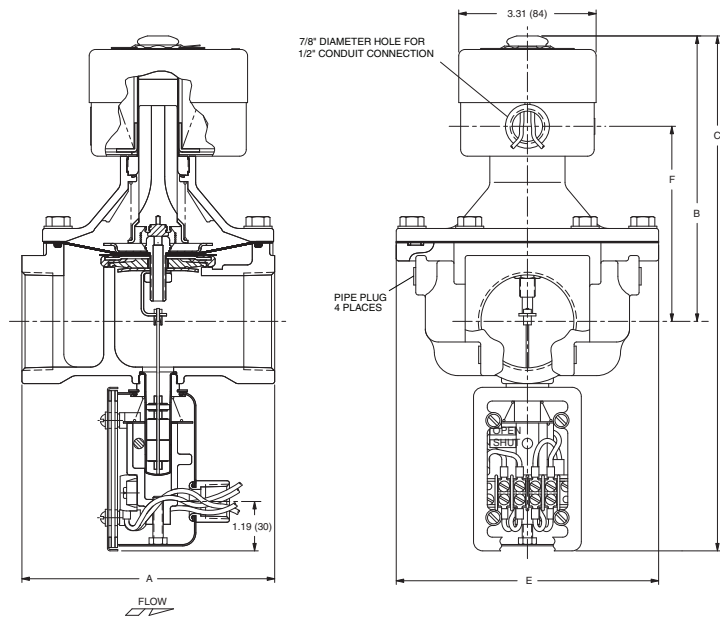
● = Standard. Other options may be available. All option combinations may not be available.

**COMBUSTION**

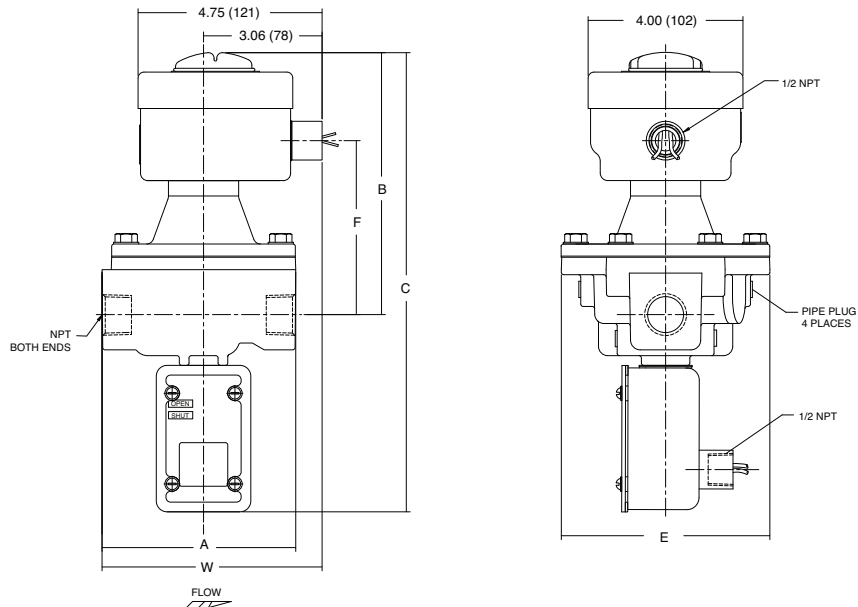
## Dimensions inches (mm)

Const. Ref.		A	B	C	E	F	W
1	in	5.00	6.34	11.69	5.38	4.19	-
	mm	127	161	297	137	106	-
2	in	5.00	6.39	11.69	5.38	4.25	-
	mm	127	162	297	137	108	-
3	in	6.09	6.86	12.39	6.32	4.72	-
	mm	155	174	315	161	120	-
4	in	7.80	7.89	14.47	7.95	5.75	-
	mm	198	200	368	202	146	-
5	in	5.00	6.78	12.13	5.38	4.50	6.69
	mm	127	172	308	137	114	170
6	in	5.00	6.84	12.13	5.38	4.56	6.69
	mm	127	174	308	137	116	170
7	in	6.09	7.31	12.84	6.32	5.03	7.35
	mm	155	186	326	161	128	187
8	in	7.80	8.34	14.89	7.95	6.06	7.96
	mm	198	212	378	202	154	202

Const. Ref. 1, 2, 3, 4



Const. Ref. 5, 6, 7, 8



Must be mounted with solenoid vertical and upright.

