

Issue Date: January 11, 2021

# VISI-FLO® SIGHT FLOW INDICATORS



## Installation, Operation & Maintenance (IOM) Manual





OPW Engineered Systems specializes in the engineering, designing and manufacturing of systems for the safe and efficient loading and unloading of critical hazardous materials: loading systems, swivel joints, instrumentation, quick and dry disconnect systems and safety breakaways.

## Contents

VISI-FLO® Sight Flow Indicators Datasheet ..... 3

Technical Information .....4-6

1400 / 1500 Maintenance .....6-10

1400 / 1500 Parts Overview.....11

1400 / 1500 Testing Procedures .....11



**IMPORTANT:** OPW products should be used in compliance with applicable federal, state, provincial, and local laws and regulations. Product selection should be based on physical specifications and limitations and compatibility with the environment and materials to be handled. OPW MAKES NO WARRANTY OF FITNESS FOR A PARTICULAR USE. All illustrations and specifications in this literature are based on the latest product information available at the time of publication. OPW reserves the right to make changes at any time in prices, materials, specifications and models and to discontinue models without notice or obligation.

# VISI-FLO® Sight Flow Indicators Datasheet

OPW Engineered Systems has been manufacturing sight flow indicators for over 60 years. Our experience has led to many innovations in design and manufacturing, making VISI-FLO® the most thoroughly engineered sight flow indicator on the market. VISI-FLOs are available in two series: the Standard 1400 Series, and the 1500 High-Pressure, High-Temperature Series.

## Benefits

- **Exclusive 3-Year “No-Leak” Guarantee** - VISI-FLO’s innovative radial seal design creates a constant and uninterrupted sealing force between the body and the outside diameter of the glass lens. This sealing method provides a longer lasting and better seal than conventional flat seals, common with tie-rod designs.
- **Dimensionally Interchangeable** - with most competitive units (FJP Units).
- **No Maintenance Required** - VISI-FLO’s unique, bolt-on body design requires no special maintenance or torquing sequence. This results in a safer, more reliable sight flow indicator than units using tie rods to fasten lens and seal to body.
- **Rated for Vacuum Service** - up to 635 mm (25") of Hg (Mercury) at 85.5% vacuum. This equates to 12.3 psi vacuum.



VISI-FLO Sight Flow Indicators

## Selection Guide

### Construction

- 2 - Carbon Steel
- 3 - Bronze
- 7 - 316 Stainless Steel
- 8 - Ductile Iron
- 9 - Alloy 20

Other construction materials available

### Indicator Material

- D - Delrin® (Std. 1400 Series, white)
- R - Ryton® (Std. 1500 Series, brown)
- T - PTFE (Std. 6" - 12", white)
- C - Carbon Steel (Drip Tubes only)
- S - Stainless Steel (Drip Tubes only)

### End Connections

- Blank - FNPT
- F - ASME 150 Lb. Flange
- B - British Threaded
- FJB - Flanged Replacement
- FT - ASME 300 Lb. Flange
- SW - Socket Weld

### Shielding

- Blank - Not Shielded
- SK - Shielded

1521RF-0201

### Series

- 14 - 1400 Series
  - 15 - 1500 Series
- See charts below for temperature and pressure ratings.

### Indicator

- 1 - Propeller (1/4" to 4" only)
- 2 - Flapper
- 3 - Drip Tube
- 4 - Low Flow (1/4", 3/8", 1/2" only)

### Size

- 001 - 1/8"
- 002 - 1/4"
- 004 - 3/8"
- 005 - 1/2"
- 007 - 3/4"
- 010 - 1"
- 012 - 1-1/4"
- 015 - 1-1/2"

- 020 - 2"
- 030 - 3"
- 040 - 4"
- 060 - 6"
- 080 - 8"
- 100 - 10"
- 120 - 12"

### Seal Materials

- 1 - Buna-N
- 2 - Fluorocarbon (Std. 1500 Series)
- 3 - PTFE
- 4 - EPDM
- 5 - Neoprene (Std. 1400 Series)
- 6 - Kalrez®
- X - Customer Specified

Availability of styles, sizes and materials may vary depending upon VISI-FLO configuration. Consult OPW Customer Service regarding your exact requirements

# Technical Information

## Construction and Material

|                     |                             |                                                    |
|---------------------|-----------------------------|----------------------------------------------------|
| <b>Body:</b>        | Steel                       | ASTM A216 WCB                                      |
|                     | 316 Stainless Steel         | ASTM A351 CF8M                                     |
|                     | 6" and larger               | ASTM A351 CF3M (316L)                              |
|                     | Ductile Iron                | ASTM A536 65-45-12                                 |
|                     | Bronze                      | ASTM B62 83600                                     |
|                     | Optional Materials:         | Hastelloy®, Alloy® 20, Monel®, Others upon request |
| <b>Windows:</b>     | 1400 Series (1/4" - 2")     | Tempered Soda Lime                                 |
|                     | 1400 Series (3" and Above)  | Annealed Soda Lime                                 |
|                     | 1500 Series                 | Tempered Borosilicate                              |
| <b>Indicators:</b>  | 1400 Series                 | Delrin®                                            |
|                     | 1500 Series                 | Ryton®                                             |
|                     | Optional Materials:         | PTFE                                               |
| <b>Seals:</b>       | 1400 Series                 | Neoprene (Std.)                                    |
|                     | 1500 Series                 | Fluorocarbon (Std.)                                |
| <b>Connections:</b> | 1400 Series                 | ASME B1.20 FNPT                                    |
|                     |                             | ASME B16.5 150RF                                   |
|                     | 1500 Series                 | ASME B1.20 FNPT                                    |
|                     |                             | ASME B16.5 150RF                                   |
|                     | Options:                    |                                                    |
|                     | Socket Weld                 | ASME B16.11                                        |
|                     | BSP                         | ASME BS21                                          |
| <b>Options:</b>     | Protective Shield (1400SK): | Polycarbonate Lens Cover                           |
|                     | Pressure/Temperature Probe: | Consult Factory                                    |

## Seal and Indicator Operating Temperatures

| Material                               | Degrees F  | Degrees C  |
|----------------------------------------|------------|------------|
| Neoprene<br>(1400 Series standard)     | -20 to 250 | -29 to 121 |
| Fluorocarbon<br>(1500 Series standard) | -20 to 400 | -29 to 204 |
| Buna-N                                 | -20 to 212 | -29 to 100 |
| EPDM                                   | -50 to 250 | -46 to 121 |
| PTFE                                   | -40 to 400 | -40 to 204 |
| Kalrez®                                | 0 to 500   | -18 to 260 |
| Hi-Temp PTFE / Kalrez®                 | -40 to 500 | -40 to 260 |
| <b>Indicators</b>                      |            |            |
| Delrin®                                | -40 to 250 | -40 to 121 |
| Ryton®                                 | -40 to 450 | -40 to 232 |
| PTFE                                   | -40 to 500 | -40 to 260 |

## Service Rating

| VISI-FLO®                                 | Max. Pressure                 | Max. Temperature <sup>1</sup> |
|-------------------------------------------|-------------------------------|-------------------------------|
| 1400 Series<br>Threaded/Flanged (1/4"-4") | 200 PSIG @ 150°F              | 250°F @ 135 PSIG              |
| 1400 Series Flanged<br>(6"-12")           | 150 PSIG @ 150°F              | 150°F @ 150 PSIG              |
| 1500 Series Threaded<br>(1/4"-2")         | 400 PSIG @ 150°F              | 400°F @ 160 PSIG              |
| 1500 Series Flanged<br>(3/4"-4")          | 285 PSIG @ 100°F <sup>4</sup> | 400°F @ 200 PSIG <sup>3</sup> |
| 1500 Series Flanged<br>(6"-12")           | 275 PSIG @ 100°F              | 400°F @ 200 PSIG <sup>2</sup> |

<sup>1</sup> With standard seals    <sup>2</sup> Stainless-steel units rated @ 195 PSIG    <sup>3</sup> Stainless-steel units rated @ 195 PSIG, ductile iron @ 150 PSIG    <sup>4</sup> Stainless-steel units rated @ 275 PSIG, ductile iron @ 245 PSIG

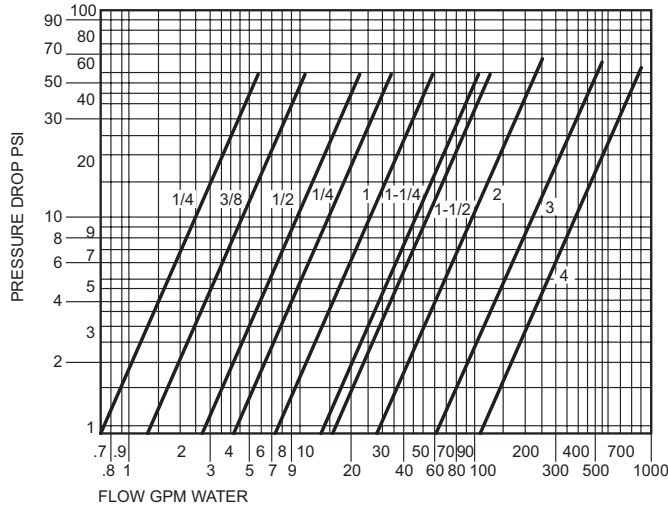
### Notes:

- Alternate seals may result in higher operating temperatures
- Temperatures up to 500° F possible with Hi-Temp PTFE seals

# Technical Information

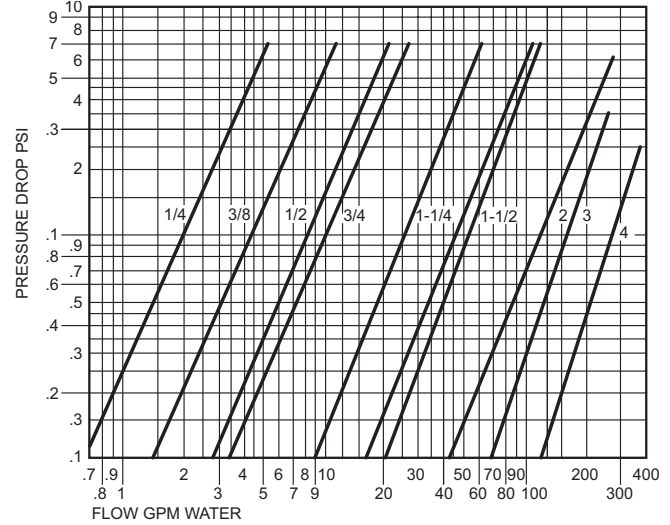
## Flow Charts

### VISI-FLO with Propeller Indicator



NOTE: Over 100 gpm Flapper indicator advised

### VISI-FLO with Flapper or Drip-Tube Indicators & Plain



Minimum Flow\* Required to Turn Propeller

| Size | 1/4" | 3/8" | 1/2" | 3/4" | 1" | 1-1/4" | 1-1/2" | 2"   |
|------|------|------|------|------|----|--------|--------|------|
| GPM  | .14  | .25  | .30  | .60  | .7 | 1.05   | 1.25   | 1.30 |

\* VISI-FLO installed in horizontal position with deflector opening down.

1435 (Low-Flow Orifice Plate) Minimum Flow Requirement to Turn Propeller

| Size | 1/4" | 3/8" | 1/2" |
|------|------|------|------|
| GPM  | .08  | .09  | .11  |

DIMENSIONAL DRAWINGS ARE AVAILABLE FROM THE DOWNLOAD SECTION OF OUR WEBSITE - WWW.OPW-ES.COM

## Shield Kits

### 1400SK - 1720

Shield Kit, 1400 & 1500 Series

Size

- 1720 = 1/4", 3/8", 1/2"
- 1740 = 3/4", 1"
- 1770 = 1-1/4", 1-1/2", 2"
- 1790 = 3", 4"
- 1800 = 6", 12"

**NOTE:**  
All Shield Kits include Shield (1) & Mounting Hardware

## Seal Repair Kits

### 1400 RK - 005 1

Series

- 14 = 1400 Series
- 15 = 1500 Series

RK

Repair Kit

Size

- 005 - 1/4", 3/8", 1/2"
- 010 - 3/4", 1"
- 020 - 1-1/4", 1-1/2", 2"
- 040 - 3", 4"
- 060 - 6", 12"

Seal Materials

- 1 = Buna
- 2 = Fluorocarbon (Viton)
- 3 = PTFE
- 4 = EPDM
- 5 = Neoprene

**NOTES:**  
1. Original seal material should be stamped on unit nameplate.  
2. All kits include top & bottom seals, glass, gaskets & instruction sheet

# 1400 / 1500 Maintenance

## Shield Kit Installation

- 1 With wrench, remove one bolt only from face plate
- 2 Insert stud into open hole and turn to approximately four (4) turns
- 3 Place lock washer under nut on stud and tighten
- 4 Repeat steps 1, 2 and 3 in that order on second face plate bolts
- 5 Install shield on stud extension, resting shield on the nuts already tightened in place
- 6 Install hold down nuts on shield

## Installation Instructions

- 1 Before installation, the user should check the unit for damage during shipping and freedom from defects such as lens scratches or chips.
- 2 Check and remove any foreign material inside the VISI-FLO.
- 3 Determine direction of flow and install the unit according to the arrow stamped on nameplate.

- Note:**
- If unit is to be installed in a location or position where objects could strike the unit, a 1400 SK Shield Kit is recommended.
  - The VISI-FLO is not designed to be a load bearing component, therefore the piping should be supported accordingly.
  - Position the specific models as follows:
    - Plain VISI-FLO can be mounted in any plane or position
    - Propeller unit can be mounted in any plane or position (except horizontal with nameplate facing down)
    - Drip tube model must be mounted vertically with flow downward
    - Flapper model should be mounted horizontally or vertically with flow upwards

## Maintenance

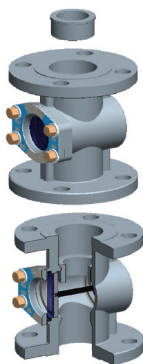
### BEFORE YOU BEGIN CONSIDER THE FOLLOWING:

- 1 Periodic inspection (every 3 months for leakages is recommended.)
- 2 Maintenance must be performed by authorized personnel
- 3 Before performing any maintenance on sight flow indicator, the full installation must be shut down/off before proceeding.
- 4 Do not attempt any maintenance or servicing without reading this entire manual.  
***When any leaks are found, have seals replaced immediately.***

## Disassembly Instructions (Units up to 2")

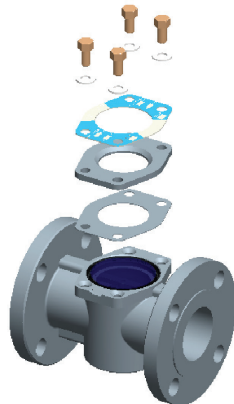
### Step 1:

- For drip tube units, begin by removing the drip funnel
- Note: The drip funnel will require that you push it out from the opposite end with some sort of rod. Be sure to use something relatively soft, so as not to damage any components inside the VISI-FLO®



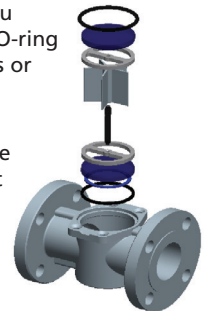
### Step 2:

- Remove the bolts, washers, nameplate, plate, and gasket



### Step 3:

- Remove the O-rings, spacers, bridges and shaft, propeller / flapper (does not apply to drip tube units), and glass plates
- You can apply moderate pressure to the bottom glass and it should push everything above it out
- If this does not work, then you may have to remove the top O-ring with a pick made of soft brass or aluminum
- If this is the case, discard the removed O-ring as it may have been damaged, and replace it with a new one
- Thoroughly clean all sealing surfaces with a non-abrasive cleaning pad



### WARNING:

Failure to follow these warnings could result in serious personal injury, property damage or product failure.

- 1) Do not attempt any maintenance service while the equipment is in operation. System pressure must be relieved and the product drained before attempting any service on the unit. The line must be locked out while service is in progress. Proper thermal relief must be provided at all times while equipment is being serviced.
- 2) OPW products do not eliminate possible exposure to hazardous substances. The conditions of handling and use are beyond our control, and we make no guarantee and assume no liability for damages or injuries related to the use of our products. Follow the safety precautions outlined in the Material Safety Data Sheets for the material being used. It is the responsibility of the user to comply with all federal, state and local regulations. Always employ proper safety precautions and handling techniques.
- 3) Proper seal and wetted material part selection is critical for safe operation. To assure maximum life for the service intended, use only those materials compatible with the fluids being handled. Please note material being supplied and make certain that it is suited for the intended service.
- 4) OPW VISI-FLOs are NOT recommended for compressed gas (i.e. air, nitrogen, etc.) applications.

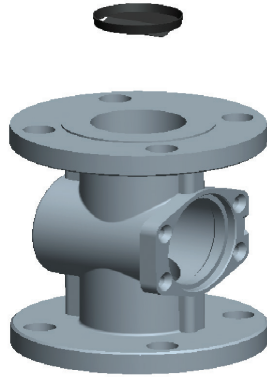
# 1400 / 1500 Maintenance

## Assembly Instructions (Units up to 2")

### Step 1:

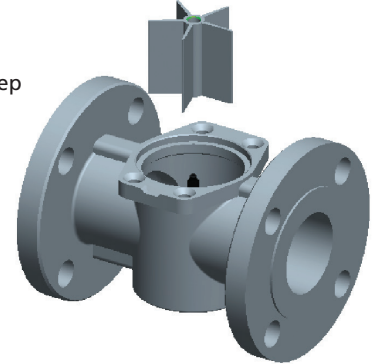
- Install flow director, (propeller unit only)

Single Plate VISI-FLO units  
(Up to 2" in Size)



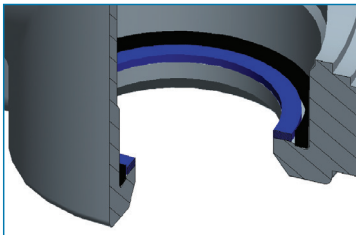
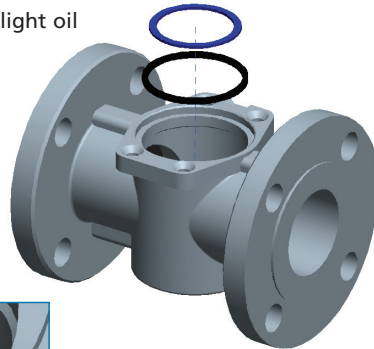
### Step 4:

- Note: Propeller unit shown
- Drop propeller or flapper onto shaft
- Drip tube units skip this step



### Step 2:

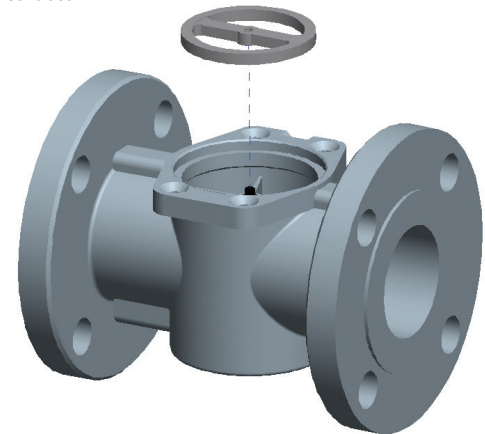
- Lightly lubricate seals with a light oil
- Press seal into body, install PTFE spacer so it is concentric to seal
- (PTFE spacer fits inside seal)



**NOTE:** EPDM seals are NOT compatible with petroleum-based lubricants. A silicone-based lubricant must be used with EPDM.

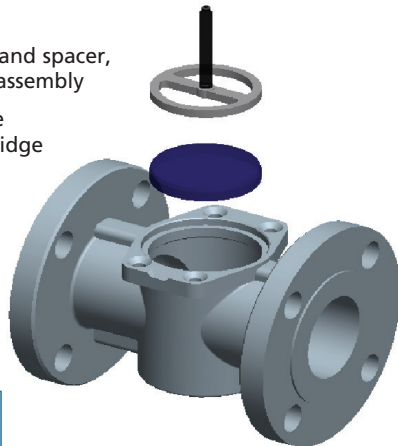
### Step 5:

- Note: Propeller unit shown
- Orient second bridge so center boss faces inward
- Press onto shaft until shoulder on shaft touches boss

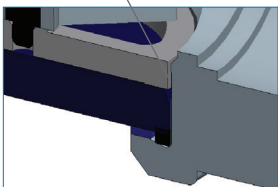


### Step 3:

- Drop glass on top of seal and spacer, followed by bridge/shaft assembly
- Be sure that beveled edge of glass faces retaining bridge

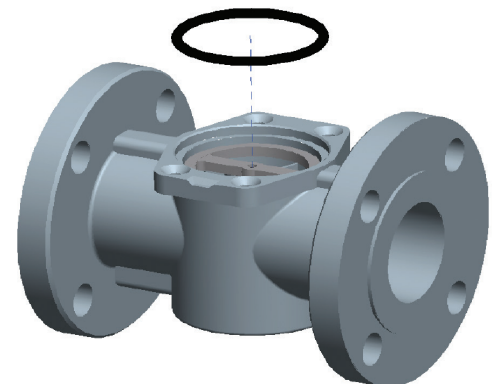


Beveled Edge



### Step 6:

- Lightly lubricate O-ring with light oil before pressing into ridge



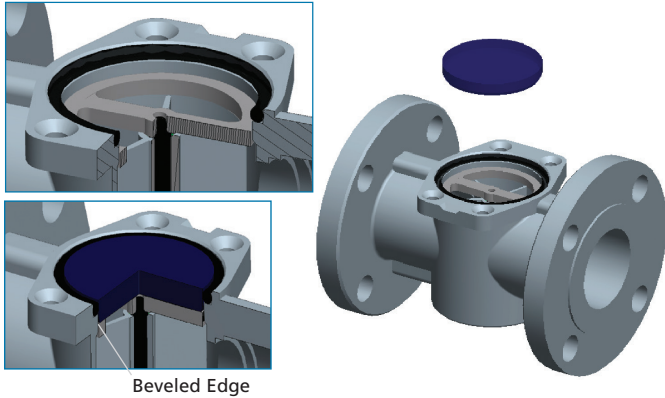
**NOTE:** EPDM seals are NOT compatible with petroleum-based lubricants. A silicone-based lubricant must be used with EPDM.

# 1400 / 1500 Maintenance

## Assembly Instructions (Units up to 2") Continued

### Step 7:

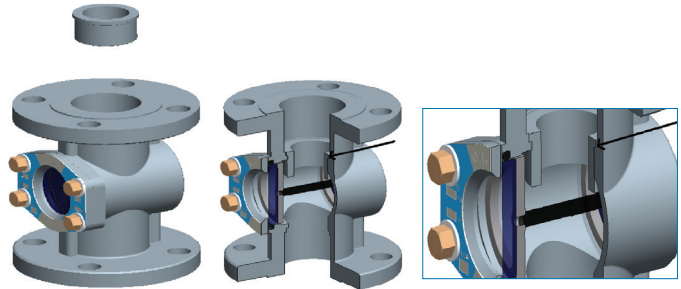
Press glass inside O-ring making sure beveled edge of glass is facing towards retaining bridge.



Beveled Edge

### Step 10:

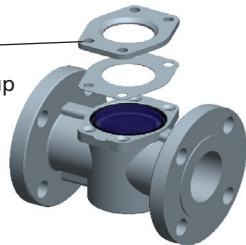
• Drip Tube Versions Only: Drop bushing into body, either side is fine, and press into place so shoulder on bushing touches shoulder inside body



### Step 8:

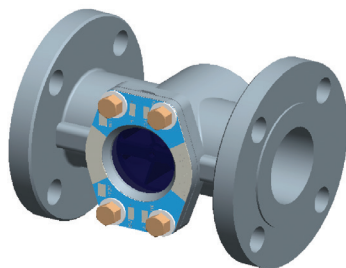
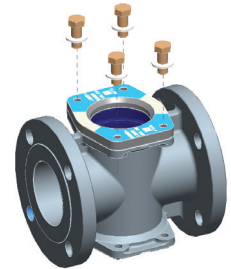
- Place gasket, plate and nameplate over glass
- Make sure chamfer in the center of the plate faces away from the glass

NOTE: Chamfer must be facing up



### Step 9:

- Flow direction starts on the end with flow director and passes through the unit
- Hand-tighten bolts with wrench only
- Propeller units only: Make sure to orient nameplate so flow direction arrow is correct



## Assembly Complete!



**WARNING:** 1) Do not attempt any maintenance service while the equipment is in operation. System pressure must be relieved and the product drained before attempting any service on the unit. The line must be locked out while service is in progress. Proper thermal relief must be provided at all times while equipment is being serviced.

Failure to follow these warnings could result in serious personal injury, property damage or product failure.

- 2) OPW products do not eliminate possible exposure to hazardous substances. The conditions of handling and use are beyond our control, and we make no guarantee and assume no liability for damages or injuries related to the use of our products. Follow the safety precautions outlined in the Material Safety Data Sheets for the material being used. It is the responsibility of the user to comply with all federal, state and local regulations. Always employ proper safety precautions and handling techniques.
- 3) Proper seal and wetted material part selection is critical for safe operation. To assure maximum life for the service intended, use only those materials compatible with the fluids being handled. Please note material being supplied and make certain that it is suited for the intended service.
- 4) OPW VISI-FLOs are NOT recommended for compressed gas (i.e. air, nitrogen, etc.) applications.

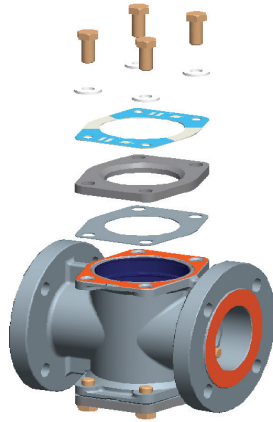


# 1400 / 1500 Maintenance

## Detailed Disassembly (3" & Above)

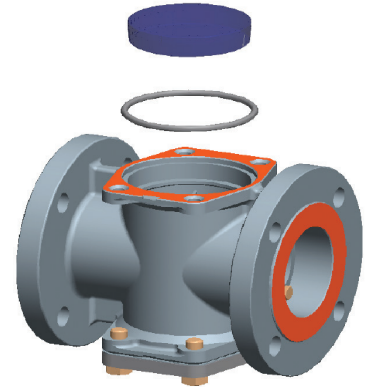
### Step 1:

- Remove bolts, washers, nameplate, plate, and gasket



### Step 2:

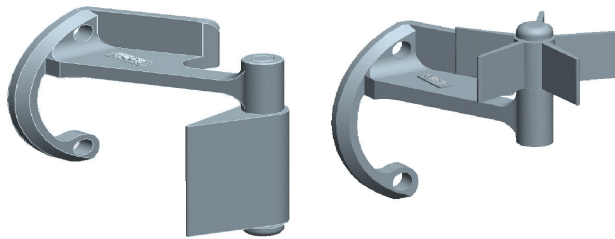
- Remove glass and O-ring
- Repeat process for other side
- Thoroughly clean all sealing surfaces with a non-abrasive cleaning pad



## Assembly Instructions (Units 3" & up)

### Step 1:

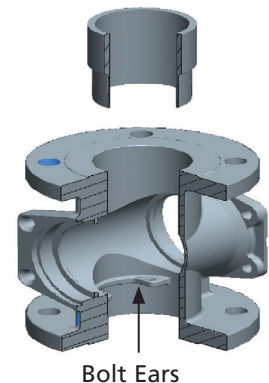
- Make sure that flapper or propeller (whichever is being installed) is assembled as shown



### Step 4:

- Press drip tube into end opposite bolt hole ears
- 3" and 4" SST have Teflon insert. All other 3" and over are welded

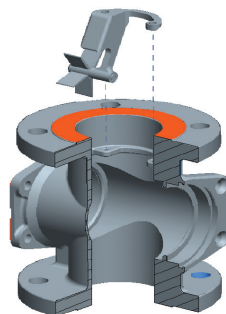
NOTE: 3" and 4" carbon-steel VISI-FLO's drip tube is welded in place.



Bolt Ears

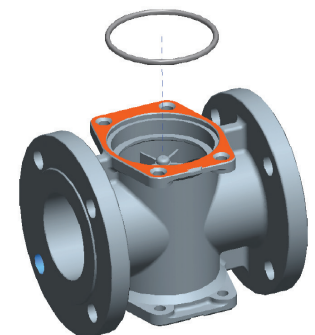
### Step 2:

- Fit flapper or propeller assembly down into body so bolt holes on support arm match with bolt ears on body



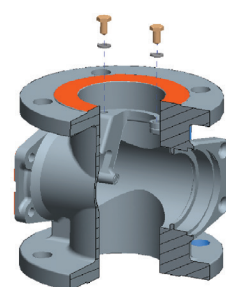
### Step 5:

- Propeller version shown
- For flapper or propeller versions, start with whichever side exposes indicator retainer button
- Lightly lubricate O-ring with light oil before pressing it into ridge
- If building drip tube version you may begin with either side



### Step 3:

- Secure with lock washers and bolts



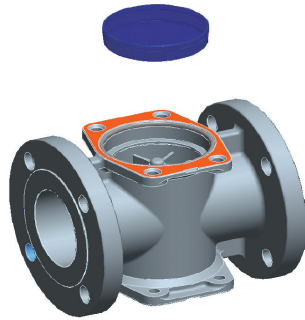
NOTE: EPDM seals are NOT compatible with petroleum-based lubricants. A silicone-based lubricant must be used with EPDM.

# 1400 / 1500 Maintenance

## Assembly Instructions (Units 3" & up) Continued

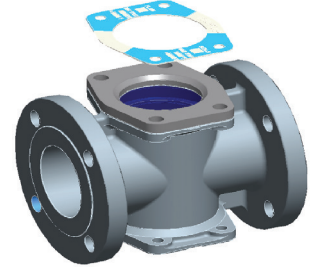
### Step 6:

- Wedge beveled glass down inside O-ring, with the smallest diameter towards the center
- Once glass begins to resist further seating, stop



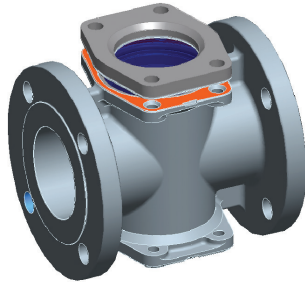
### Step 9:

- Place nameplate on top of compressed components with flow direction facing the correct way
- Flow direction for propeller version can be determined by looking through VISI-FLO
- Flow starts on the side with bolt ears, and travels through to the opposite side
- Drip tube version is opposite this
- Flapper units do not have a flow direction



### Step 7:

- Place one gasket and plate over glass
- Make sure chamfered side of the plate faces up

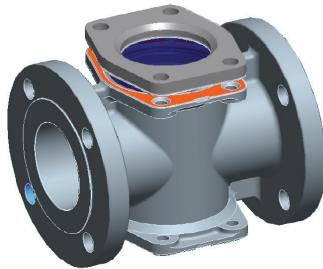


### Step 10:

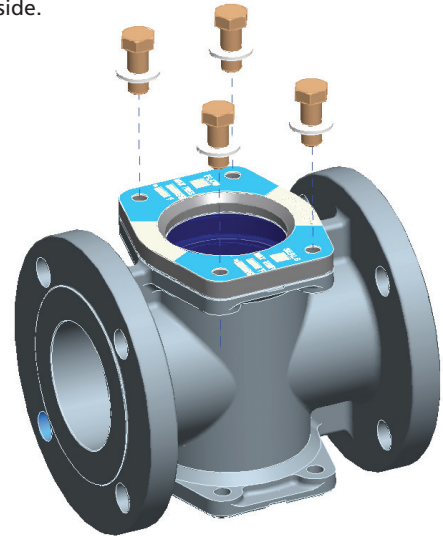
- Secure components with bolts and flat washers
- Hand-tighten with wrench only
- Repeat on opposite side.

### Step 8:

- With your palm, press down with even pressure until glass seats and gasket bottoms out



## Assembly Complete!



**WARNING:** 1) Do not attempt any maintenance service while the equipment is in operation. System pressure must be relieved and the product drained before attempting any service on the unit. The line must be locked out while service is in progress. Proper thermal relief must be provided at all times while equipment is being serviced.

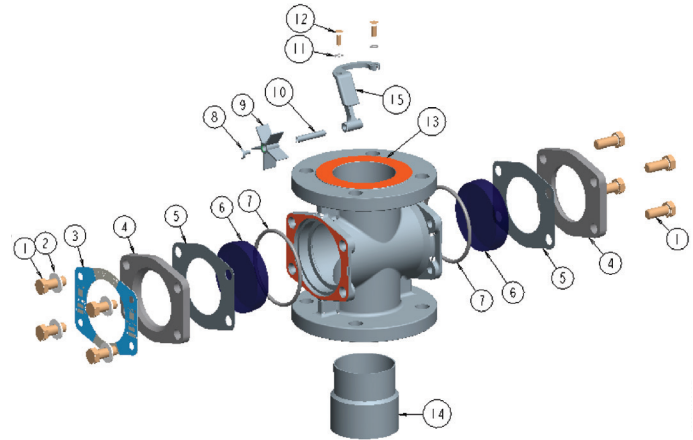
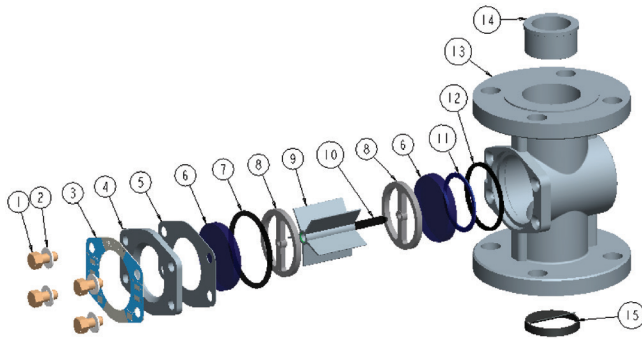
Failure to follow these warnings could result in serious personal injury, property damage or product failure.

2) OPW products do not eliminate possible exposure to hazardous substances. The conditions of handling and use are beyond our control, and we make no guarantee and assume no liability for damages or injuries related to the use of our products. Follow the safety precautions outlined in the Material Safety Data Sheets for the material being used. It is the responsibility of the user to comply with all federal, state and local regulations. Always employ proper safety precautions and handling techniques.

3) Proper seal and wetted material part selection is critical for safe operation. To assure maximum life for the service intended, use only those materials compatible with the fluids being handled. Please note material being supplied and make certain that it is suited for the intended service.

4) OPW VISI-FLOs are NOT recommended for compressed gas (i.e. air, nitrogen, etc.) applications.

# 1400 / 1500 Parts Overview and Testing Procedures



| Key | Description                            | Series           | 1/4", 3/8" & 1/2" | 3/4" & 1" | 1 1/4", 1 1/2" & 2" |         |
|-----|----------------------------------------|------------------|-------------------|-----------|---------------------|---------|
| 1   | Retaining Bolt                         | 1400             | H40190M           | H40191M   | H40191M             |         |
|     |                                        | 1500             | H30497M           | H30498M   | H30498M             |         |
| 2   | Washer                                 | 1400 & 1500      | H40193M           | H40194M   | H40194M             |         |
| 3   | Nameplate                              | 1400 & 1500      | H30756M           | H30757M   | H30758M             |         |
| 4   | Cap, Plated Steel                      | 1400             | H2888M            | H2889M    | H2890M              |         |
|     |                                        | 1500             | H30448M           | H30449M   | H30450M             |         |
| 5   | Gasket*                                | 1400 & 1500      | H3870M            | H3871M    | H3873M              |         |
| 6   | Glass*                                 | 1400             | H5997M            | H6001M    | H10152M             |         |
|     |                                        | 1500             | H5998M            | H6002M    | H10153M             |         |
| 7   | Seal*                                  | See Repair Kits  |                   |           |                     |         |
| 8   | Retaining Bridge (2 required per unit) | 1400 & 1500      | H5996M            | H6000M    | H6004M              |         |
| 9   | Indicator                              | Propeller-Delrin | 1400              | H40153M   | H40152M             | H40141M |
|     |                                        | Propeller-Ryton  | 1500              | H2910M    | H2911M              | H2912M  |
|     |                                        | Propeller-PTFE   | 1400 & 1500       | H40171M   | H40172M             | H40173M |
|     |                                        | Flapper-Delrin   | 1400              | H40150M   | H40149M             | H40148M |
|     |                                        | Flapper-Ryton    | 1500              | H2944M    | H2947M              | H2948M  |
|     |                                        | Flapper-PTFE     | 1400 & 1500       | H40196M   | H40197M             | H40198M |
| 10  | Shaft                                  | 1400 & 1500      | H5999M            | H6003M    | H6011M              |         |
| 11  | Seal*                                  | See Repair Kits  |                   |           |                     |         |
| 12  | Spacer, PTFE*                          | 1400 & 1500      | H31752M           | H31753M   | H31636M             |         |
| 13  | Body                                   |                  |                   |           |                     |         |
| 14  | Drip Tube                              | 1400 & 1500      | H30357RS          | H30359RP  | H30354RP            |         |
| 15  | Deflector (propeller units only)       | 1400 & 1500      | H5012M            | H5018M    | H5020M              |         |

| Key | Description           | Series           | 3" & 4"     | 6" – 12"   |    |
|-----|-----------------------|------------------|-------------|------------|----|
| 1   | Retaining Bolts       | 1400 & 1500      | H-40192-M   | H-40109-M  |    |
| 2   | Washers               | 1400 & 1500      | H40195M     | H40194M    |    |
| 3   | Nameplate             | 1400 & 1500      | C20190M     | C20191M    |    |
| 4   | Cap, Plated Steel     | 1400 & 1500      | C-20136-M   | C-30012-RS |    |
| 5   | Gasket*               | 1400 & 1500      | H3874M      | H40108M    |    |
|     |                       | 1400             | C00665M     | H40107M    |    |
| 6   | Glass*                | 1500             | C00667M     | H30368M    |    |
|     |                       | See Repair Kits  |             |            |    |
| 7   | Seals*                | See Repair Kits  |             |            |    |
| 8   | Button, PTFE          | 1400&1500        | H40157P     | H40117RP   |    |
| 9   | Indicator             | Propeller-Delrin | 1400        | H40154P    | NA |
|     |                       | Propeller-Ryton  | 1500        | H40158P    | NA |
|     |                       | Propeller-PTFE   | 1400 & 1500 | H40174M    | NA |
|     |                       | Flapper-Delrin   | 1400        | H40148M    | NA |
|     |                       | Flapper-Ryton    | 1500        | H2948M     | NA |
|     |                       | Flapper-PTFE     | 1400 & 1500 | H40198M    | NA |
| 10  | Shaft                 | 1400 & 1500      | H40155M     | H40116RE   |    |
| 11  | Lockwasher, SST       | 1400 & 1500      | H5162M      |            |    |
| 12  | Retaining Screw/Bolt  | 1400 & 1500      | H40155M     | H40144RP   |    |
| 13  | Body                  |                  |             |            |    |
| 14  | Drip Tube             |                  |             |            |    |
| 15  | Indicator Support Arm | 1400 & 1500      | C30025EW    | H40114RS   |    |

\*Included in 1400RK/1500RK Seal Kits

## Test Procedures 1400 / 1500

|                                      | MAX PRESSURE (PSI) | TEST PROCEDURE | ANSI RATED?           |
|--------------------------------------|--------------------|----------------|-----------------------|
| 1/4" – 2" Threaded 1400 Series       | 200                | A              | Yes                   |
| 1/4" – 2" Threaded 1500 Series       | 600                | B              | Yes (to 400 psi only) |
| 1" – 12" Threaded 1400 & 1500 Series | 200/275            | C              | Yes*                  |

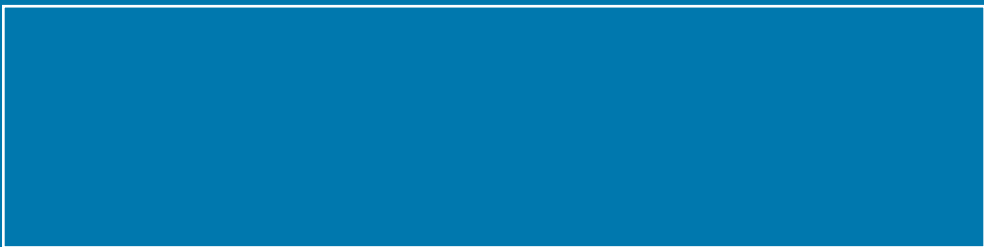
\*All flanged VISO-FLO meet requirements for 150 lb. ANSI Flanges

**A** = Test at 160 psi +/- 25 psi for one minute. Test at 400 psi +/- 50 psi for one minute.

**B** = Test at 160 psi +/- 25 psi for one minute. Test at 650 psi +/- 50 psi for one minute

**C** = Test at 500 psi +/- 50 psi for a period of time specified as per ANSI: 1", 1 1/2", 2" sizes for a minimum of 1 minute. 3", 4", 6" and 8" sizes for a minimum of 2 minutes. 10" and 12" sizes for a minimum of 3 minutes.

\*Quantity required for applicable models.



[www.opw-es.com](http://www.opw-es.com) ◆ 2726 Henkle Drive ◆ Lebanon, Ohio 45036 ◆ Phone: (513) 932 9114 ◆ Fax: (513) 932 9845

NOTE: All information subject to engineering and/or other changes. All trade names are copyrighted. Patents Pending. ©2021 OPW Engineered Systems. ©2021 Delaware Capital Formation, Inc. All Rights Reserved. DOVER and the DOVER logo are registered trademarks of Delaware Capital Formation, Inc., a wholly-owned subsidiary of Dover Corporation.