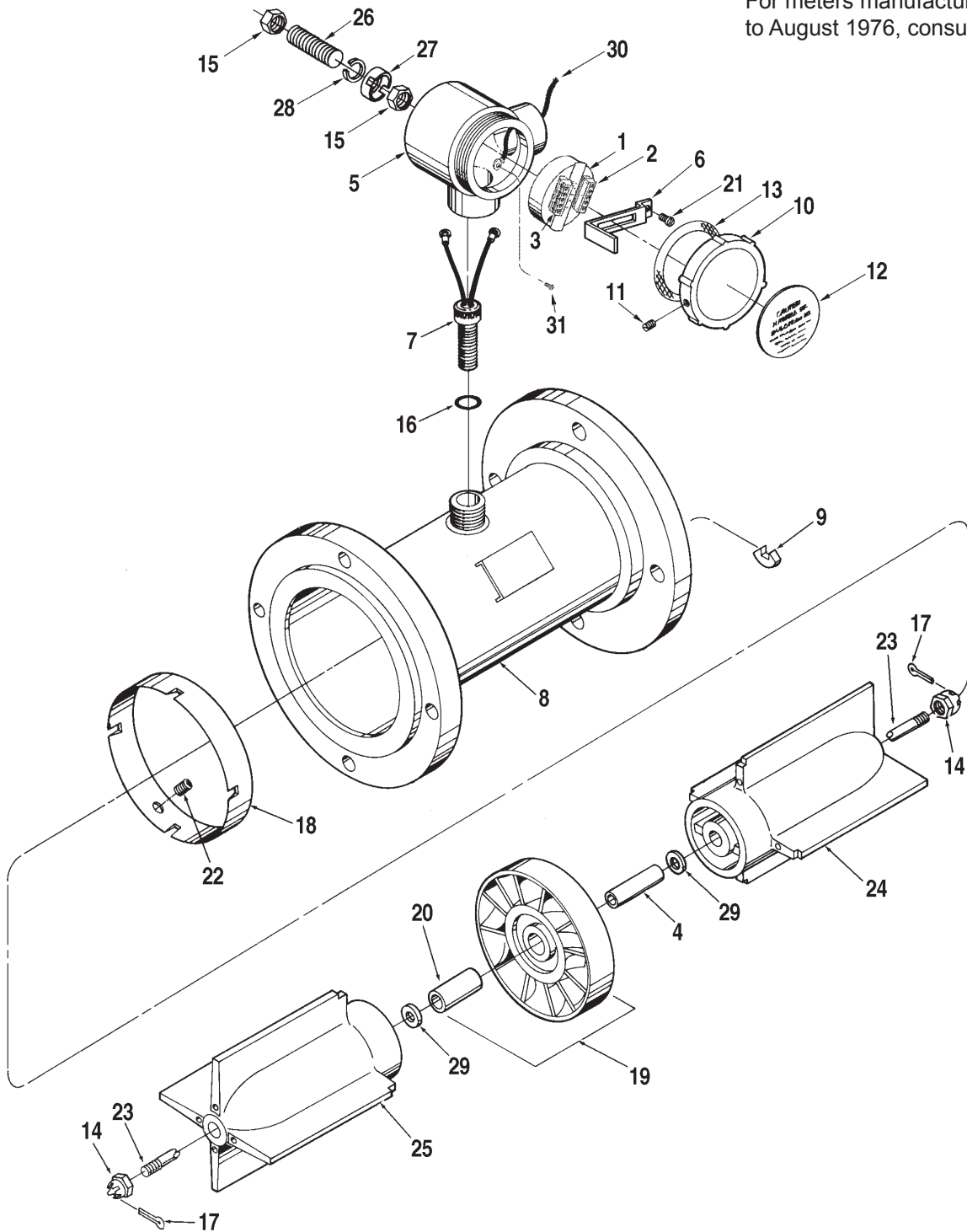


Meter, Turbine, 6 Inch, Sentry Series

Bulletin PO02015 Issue/Rev. 0.0 (09/13)

For meters manufactured prior to August 1976, consult factory.



Item	Description	Qty.	Part Number
1	+ Preamplifier:		
	PA-6, 12 to 24 Vdc.....	#	230663-101
2	Connector, (1-5)	#	645030-452
3	Connector, (6-10)	#	645030-453
4	+ Bearing, Platform	1	541454-212
5	Box, Conduit.....	#	543256-200
6	Clip, Retaining	1	543192-203
7	Coil, Pickup:		
	-100°F to 225°F	#	644327-401
	-100°F to 400°F (High Temperature Version)	#	641512-401
	Mating Connector with Leads (High Temperature Version)	#	540244-101
8	Housing	1	See Note 1
9	Key, Stator.....	1	544115-202
10	Cover, Conduit Box:		
	UL/CSA.....	#	543196-100
	ATEX – Manufactured in U.S.A.....	#	544057-101
	ATEX – Manufactured in Germany	#	544057-102
11	Screw, Set, #6-32 x 1/4"	#	643243-403
12	Label:		
	UL/CSA.....	#	543195-200
	ATEX – Manufactured in U.S.A.	#	544056-201
	ATEX – Manufactured in Germany.....	#	544056-202
13	+ Gasket, Cover	#	013403-200
14	+ Nut, Castle, 5/16-18, UNF-2B	2	643729-401
15	Nut, 1/4"-20, UNC-2B (ATEX version only)	#	060060-001
16	O-Ring.....	#	641069-474
17	Pin, Cotter, 1/16 x 1-1/4"	2	645457-402
18	Ring, Deflector (Stainless Steel):		
	Unidirectional	1	541685-212
	Bidirectional	2	543054-212
19	+ Rotor Assembly:		
	Standard (1,050 pulses/bbl).....	1	544440-193
	@2 High Resolution (2,100 pulses/bbl).....	1	544440-194
20	Bearing, Rotor	1	541455-212
21	Screw, #10-32 x 1/4"	#	009544-401
22	Screw, Set, #10-32 x 3/16" (Two per Deflector Ring).....	#	645690-401
23	Shaft, Rotor	1	544114-201
24	Stator, Downstream (Stainless Steel).....	1	542364-211
25	Stator, Upstream (Stainless Steel):		
	Unidirectional	1	542363-211
	Bidirectional	1	542364-211
26	Stud (ATEX version only)	#	550773-001
27	Washer, Inverted (ATEX version only).....	#	550770-001
28	Washer, 1/4" Lock (ATEX version only).....	#	006621-001
29	+ Washer, Thrust	2	543851-212
30	Ground Wire (UL/CSA version only).....	#	544058-101
31	Screw, #10-32 x 1/4" (UL/CSA version only).....	#	006110-002

Internal Parts Kits

	Unidirectional, Standard Resolution	544606-103
	Bidirectional, Standard Resolution	544606-104
@2	Unidirectional, High Resolution (2,100 pulses/bbl).....	544606-123
@2	Bidirectional, High Resolution (2,100 pulses/bbl).....	544606-124

Item	Description	Qty.	Part Number
+	Recommended stock.		
#	Order quantity required.		
R	Indicates revision since last issued.		
@1	Note 1: Consult Factory, 814 898-5000, providing the following information:		
	1. Uni or Bidirectional		5. Flange Type
	2. Housing Material		6. Number of Pickup Coil Bosses
	3. Flange Material		7. Standard or High Resolution Rotor Assembly
	4. Flange Class (Pressure)		
@2	Note 2: Due to an engineering change, when replacing a high resolution rotor assembly or internal parts kit in a meter manufactured prior to July of 1990 (Date Code KG), it may be necessary to replace the housing also to achieve proper repeatability. Contact Factory, 814 898-5000, with any questions.		

P0588.06X has been made obsolete and replaced by publication number PO02015 (September 2013).

The specifications contained herein are subject to change without notice and any user of said specifications should verify from the manufacturer that the specifications are currently in effect. Otherwise, the manufacturer assumes no responsibility for the use of specifications which may have been changed and are no longer in effect.

TechnipFMC.com

© TechnipFMC plc. 2020 All rights reserved. PO02015 rev. 0.0 (09/13)

TechnipFMC
13460 Lockwood Road
Building S01
Houston, Texas 77044 USA
P:+1 281.591.4000

USA Operation
1602 Wagner Avenue
Erie, Pennsylvania 16510 USA
P:+1 814.898.5000

Germany Operation
Smith Meter GmbH
Regentstrasse 1
25474 Ellerbek, Germany
P:+49 4101 304.0