

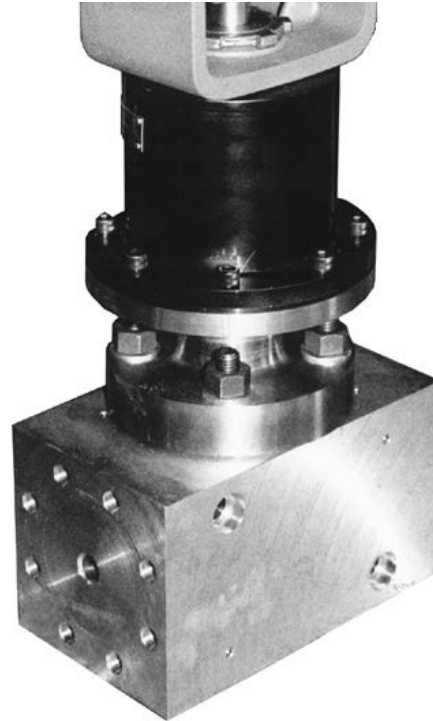
# Fisher™ HVP Series Control Valves

The Fisher HVP (high viscous polymer) Series control valve is used extensively by the polymer industry. These processes generally require the valves to operate at and maintain high temperatures to assure that the polymer fluid flows freely. The HVP Series can provide integral valve body passages through which a heat-transfer fluid is pumped to keep the valve and process fluid heated.

Forged and fabricated valve body styles are engineered to meet your process and piping requirements. Standard valve body and trim designs can be adapted to exactly match specifications. Models include: HVP-TS for throttling service; HVP-DS (figure 1) for diverting service (three-way valve); and HVP-SS for stop service (on/off).

## Features

- Internal passages finished to 0.1 to 0.4 micro-meters (4 to 16 micro-inches) RMS to ensure easy flow of fluid.
- Flow passage designed to prevent flow stagnation and polymer degradation.
- Bellows seal is available.
- All HVP Series control valves can be vacuum rated.
- Integral valve body jacketing for efficient heat transfer and stabilized flow.



W5494-1

**Fisher HVP-TS Valve**

---

**Specifications**

---

**Valve Body Sizes**

NPS 1 through 10, larger sizes on request

**Flow Coefficient  $C_v$**

0.1 to 200

**Inlet Pressure<sup>(1)</sup>**

Consistent with CL150 through CL2500 ratings per ASME B16.34

**Temperatures<sup>(1)</sup>**

-18 to 427°C (0 to 800°F) as required by specific application

**End Connections**

- Butt weld ends (BWE) consistent with ASME B16.25
- Socket weld ends (SWE) consistent with ASME B16.11
- Flanged ends consistent with ASME B16.5

**Transfer Fluid Connections**

NPS ■ 1/2, ■ 3/4, or ■ 1 with ■ Butt weld ends (BWE) consistent with ASME B16.25 ■ Socket weld ends (SWE) consistent with ASME B16.11 ■ Flanged ends consistent with ASME B16.5

**Shutoff Classification per ANSI/FCI 70-2 and IEC 60534-4**

To Class V as required

**Travel**

25 through 102 mm (1 through 4-inch)

**Yoke Boss and Stem Diameter**

As required to mate with specified actuator

**Construction Materials**

Valve Body, Bonnet, and Flanges: S30400/S31600 stainless steel

Packing: Graphite

Valve Plug and Valve Stem: S30400/S31600 stainless steel (Alloy 6 overlays applied as required)

**Dimensions**

Depends on actuator requirements; contact your [Emerson sales office](#) or Local Business Partner

---

1. The pressure/temperature limits in this bulletin, and any applicable standard or code limitation, should not be exceeded.

---

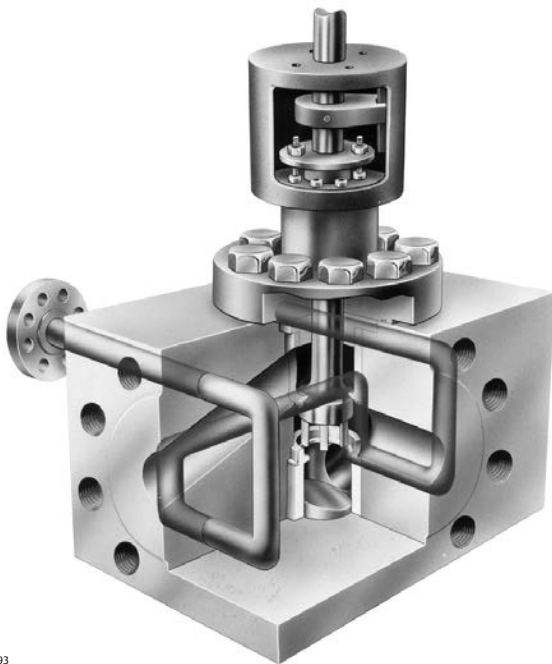
## Ordering Information

When ordering, specify:

### Application

1. Type of application
2. Controlled fluid
3. Fluid viscosity of controlled fluid
4. Specific gravity of controlled fluid
5. Fluid temperature requirements
6. Heat transfer medium (vapor/liquid)
7. Inlet pressures
  - a. Minimum
  - b. Normal
  - c. Maximum
8. Pressure drops
  - a. Minimum flowing drop
  - b. Normal flow drop
  - c. Maximum flowing drop
  - d. Maximum at shutoff
9. Flow rate
  - a. Minimum controlled flow
  - b. Normal flow
  - c. Maximum flow
10. Maximum permissible noise level, if critical
11. Shutoff classification required
12. Line/core size and schedule

Figure 1. Fisher HVP-DS Valve



W5493

## Product Bulletin

51.1:HVP  
August 2017

**HVP Valves**  
D101490X012

---

Neither Emerson, Emerson Automation Solutions, nor any of their affiliated entities assumes responsibility for the selection, use or maintenance of any product. Responsibility for proper selection, use, and maintenance of any product remains solely with the purchaser and end user.

Fisher is a mark owned by one of the companies in the Emerson Automation Solutions business unit of Emerson Electric Co. Emerson Automation Solutions, Emerson, and the Emerson logo are trademarks and service marks of Emerson Electric Co. All other marks are the property of their respective owners.

The contents of this publication are presented for informational purposes only, and while every effort has been made to ensure their accuracy, they are not to be construed as warranties or guarantees, express or implied, regarding the products or services described herein or their use or applicability. All sales are governed by our terms and conditions, which are available upon request. We reserve the right to modify or improve the designs or specifications of such products at any time without notice.

Emerson Automation Solutions  
Marshalltown, Iowa 50158 USA  
Sorocaba, 18087 Brazil  
Cernay 68700 France  
Dubai, United Arab Emirates  
Singapore 128461 Singapore

[www.Fisher.com](http://www.Fisher.com)

