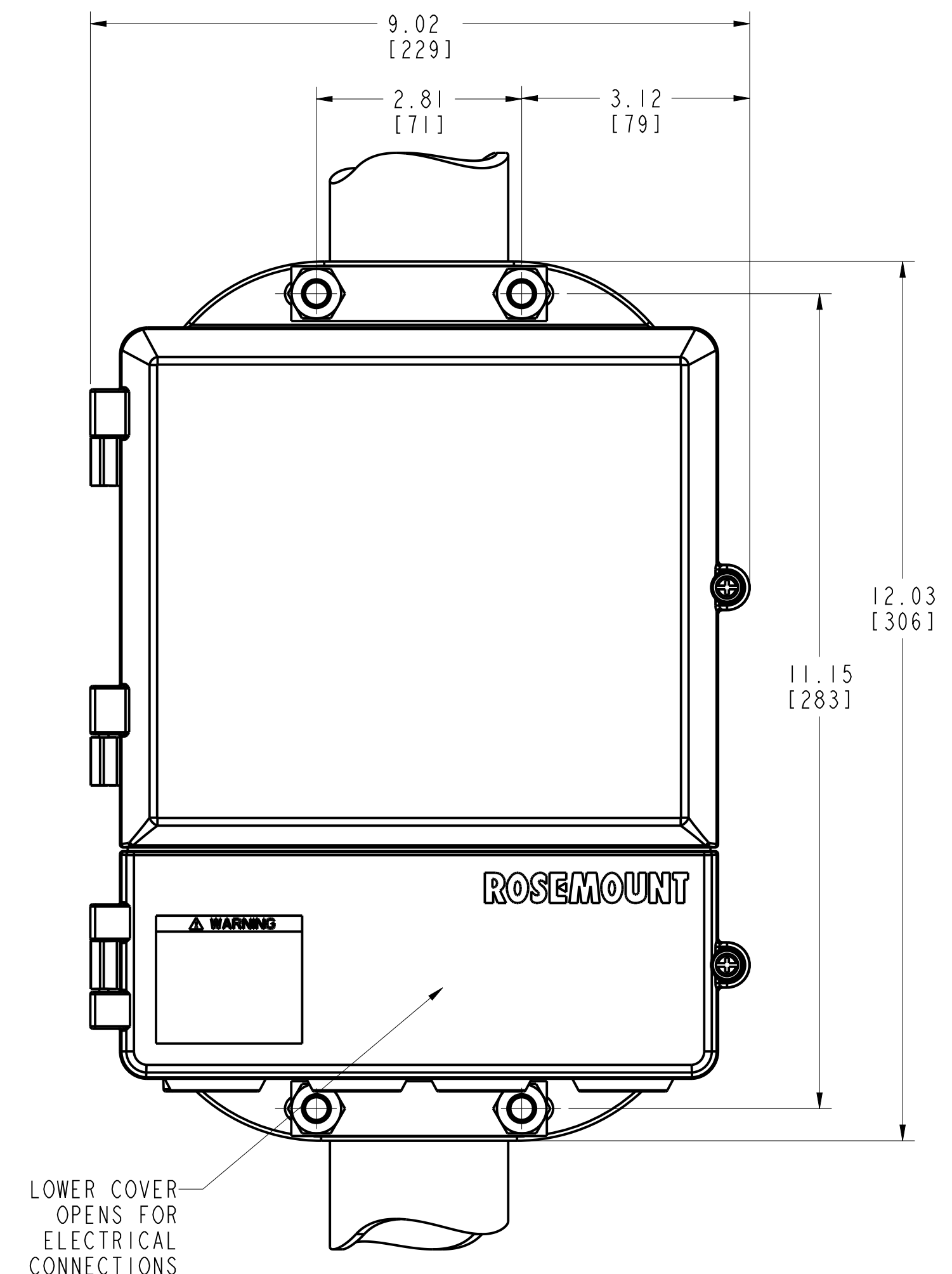
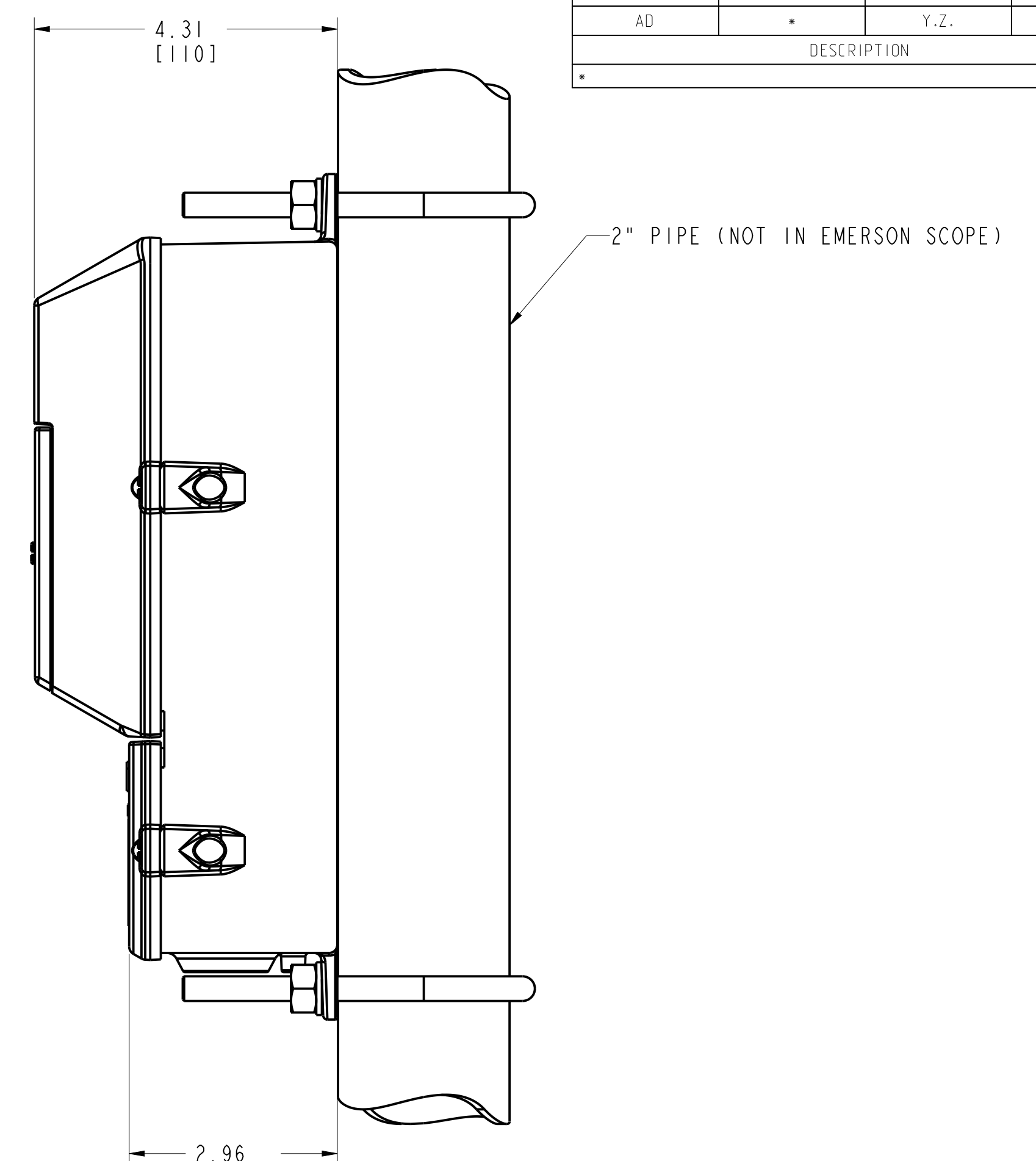
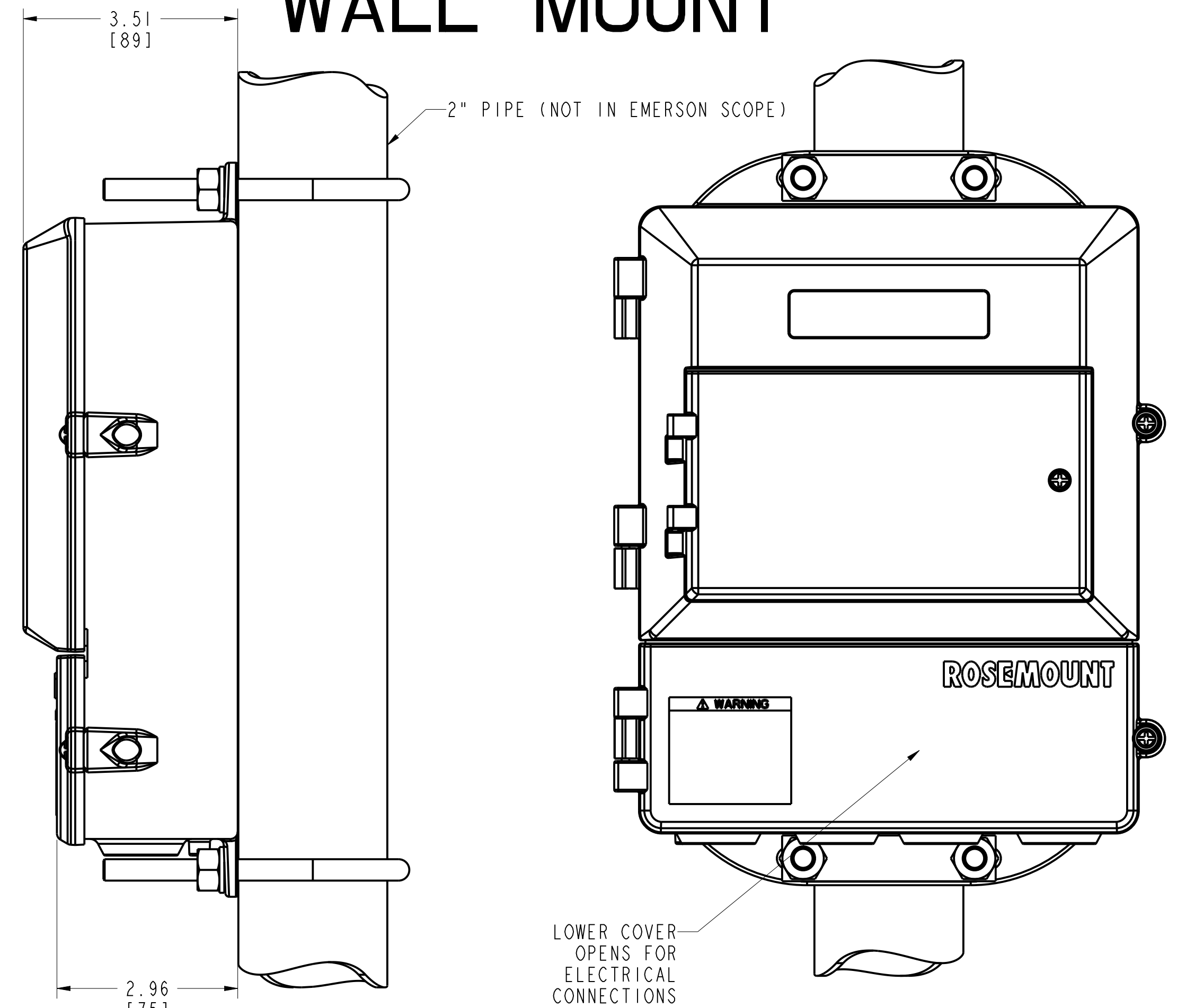


REVISION TABLE			
REVISION	ECO NO.	APP'D	DATE
AD		Y.Z.	*
DESCRIPTION			

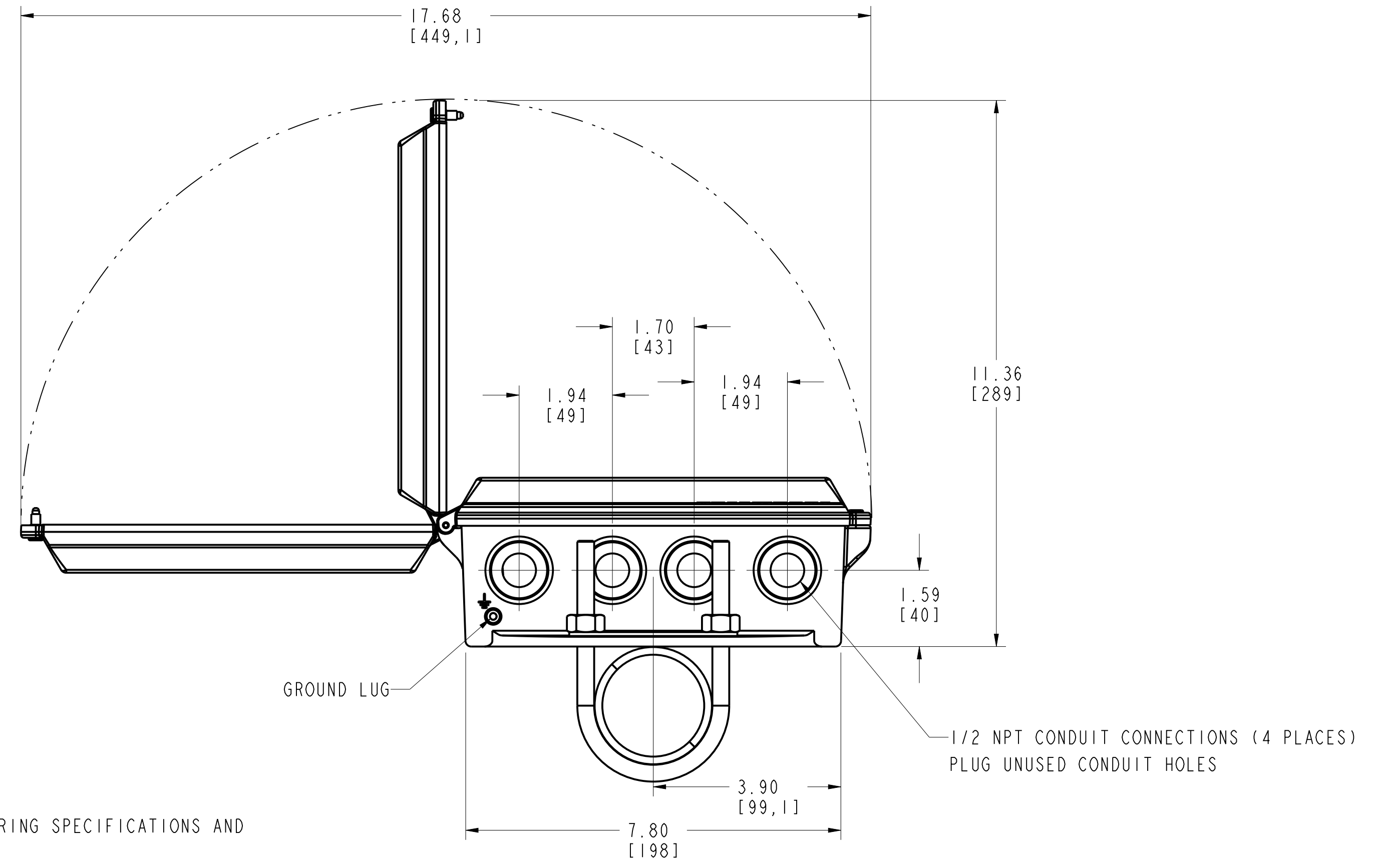
WALL MOUNT



STANDARD COVER



LOI COVER
USE WITH M4 OPTION



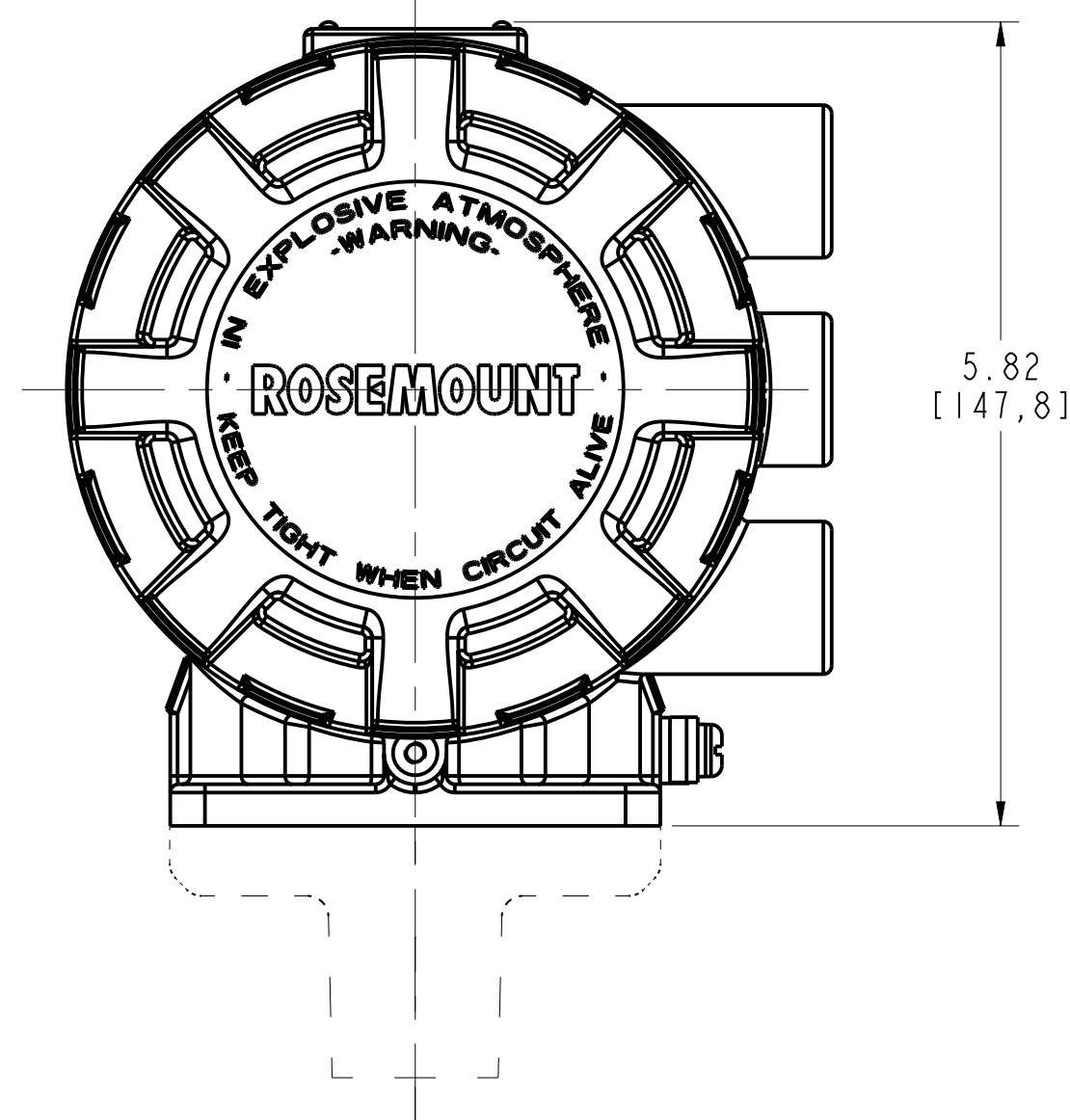
- 1. SHOWN WITH 1/2 NPT OPTION, ALSO AVAILABLE WITH M20.
- 2. ADDITIONAL LENGTH DOES NOT INCLUDE CUSTOMER SUPPLIED GASKET.
- 3. ACTUAL VALUE DEPENDENT UPON FLANGE RATING AND MATERIAL OF CONSTRUCTION; CONSULT FACTORY FOR EXACT DIMENSIONS.
- 4. CONSULT PRODUCT MANUAL FOR DETAILED INFORMATION ON INSTALLATION, OPERATION, AND MAINTENANCE. FAILURE TO DO SO COULD RESULT IN INJURY OR DAMAGE TO PRODUCT OR PROPERTY.
- 5. FOR BREVITY, THE MODEL NUMBER LIST ONLY CONTAINS THE CODES FOR CARBON STEEL FLANGES. 304 STAINLESS STEEL FLANGES ARE DIMENSIONALLY IDENTICAL TO CARBON STEEL. USE THE TABLE BELOW TO FIND THE CARBON STEEL CODE THAT CORRESPONDS TO EACH STAINLESS STEEL CODE.

STAINLESS STEEL CODES	ARE THE SAME DIMENSIONS AS CARBON STEEL CODE
S	C
G	F

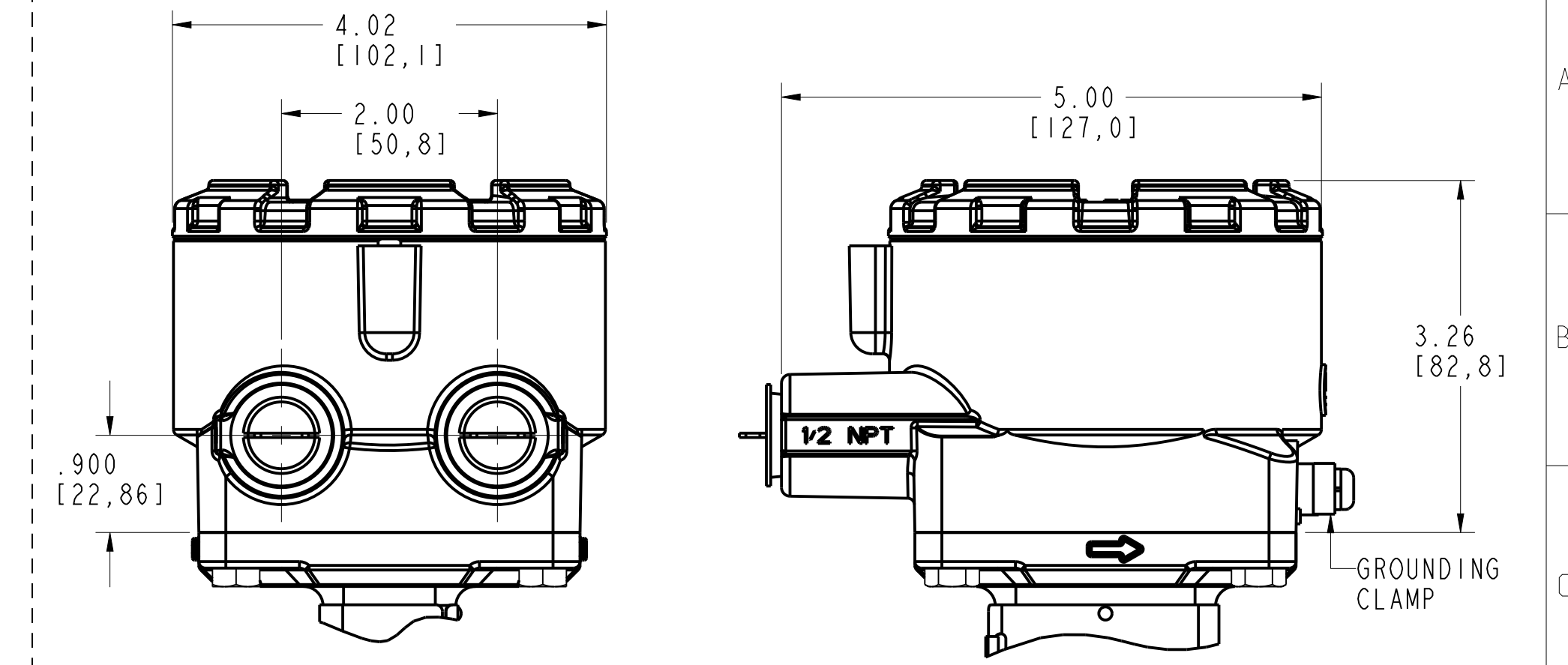
- 6. DIM "A" FOR FLOWMETERS WITH SLIP-ON FLAT FACE (SO/FF) FLANGES IS EQUAL TO THAT OF A RAISED FACE FLANGE (SO/RF). TUBE LENGTH DOES NOT INCLUDE GROUNDING RINGS OR LINING PROTECTORS.
- 7. ROSEMOUNT CERTIFIES THAT THIS DRAWING IS IN ACCORDANCE WITH ROSEMOUNT ENGINEERING SPECIFICATIONS AND ACCURATELY REPRESENTS THE EQUIPMENT FURNISHED.

CONFIDENTIAL AND PROPRIETARY INFORMATION IS CONTAINED HEREIN AND MUST BE HANDLED ACCORDINGLY.	SURFACE FINISH UNLESS OTHERWISE SPECIFIED	3RD ANGLE	SIZE D	SCALE -	REV AD
ROSEMOUNT					
EMERSON					
TITLE DIMENSIONAL DRAWING					
MODEL 8750W MAGNETIC FLOWTUBE-STANDARD PRESSURE					
DR. J. LAGE	1/8/15	DRAWING NO. 8750W-0026			
APP'D Y.Z.					
DO NOT SCALE PRINT	CAD MAINTAINED, (PRO/E)	PRODUCT CODE	DOC TYPE	SHEET 1 OF 10	

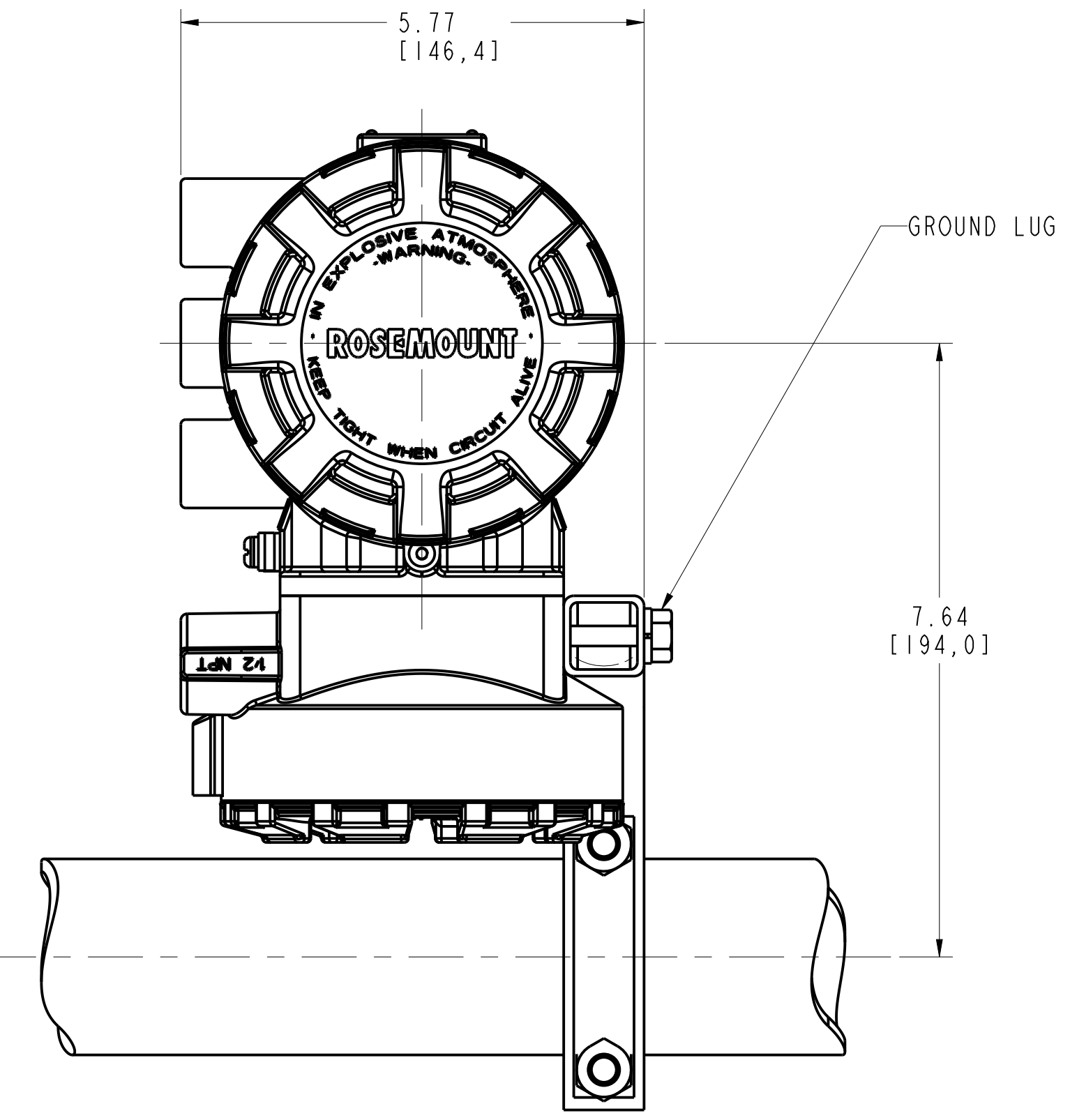
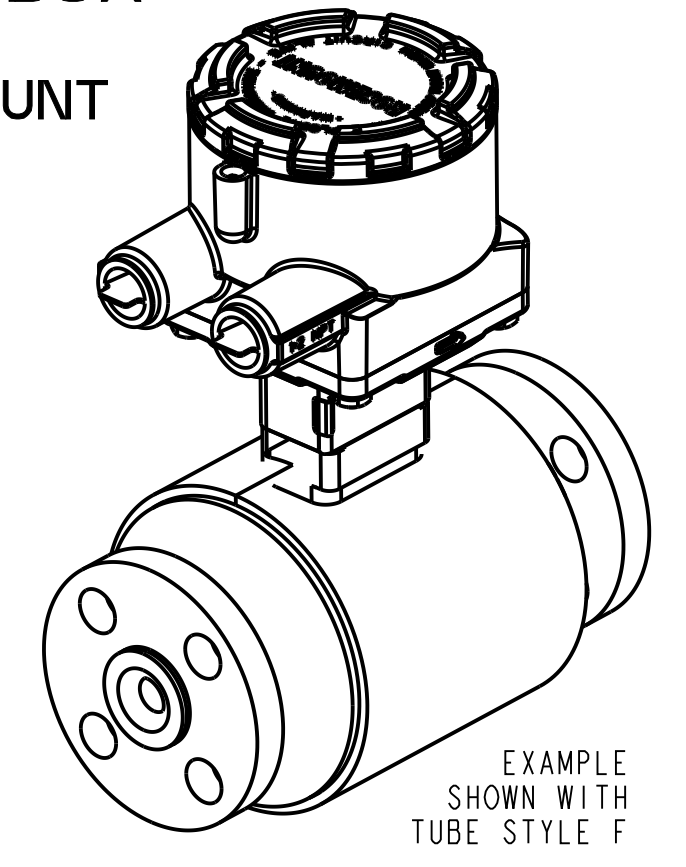
DRAWING NO. 8750W-0026



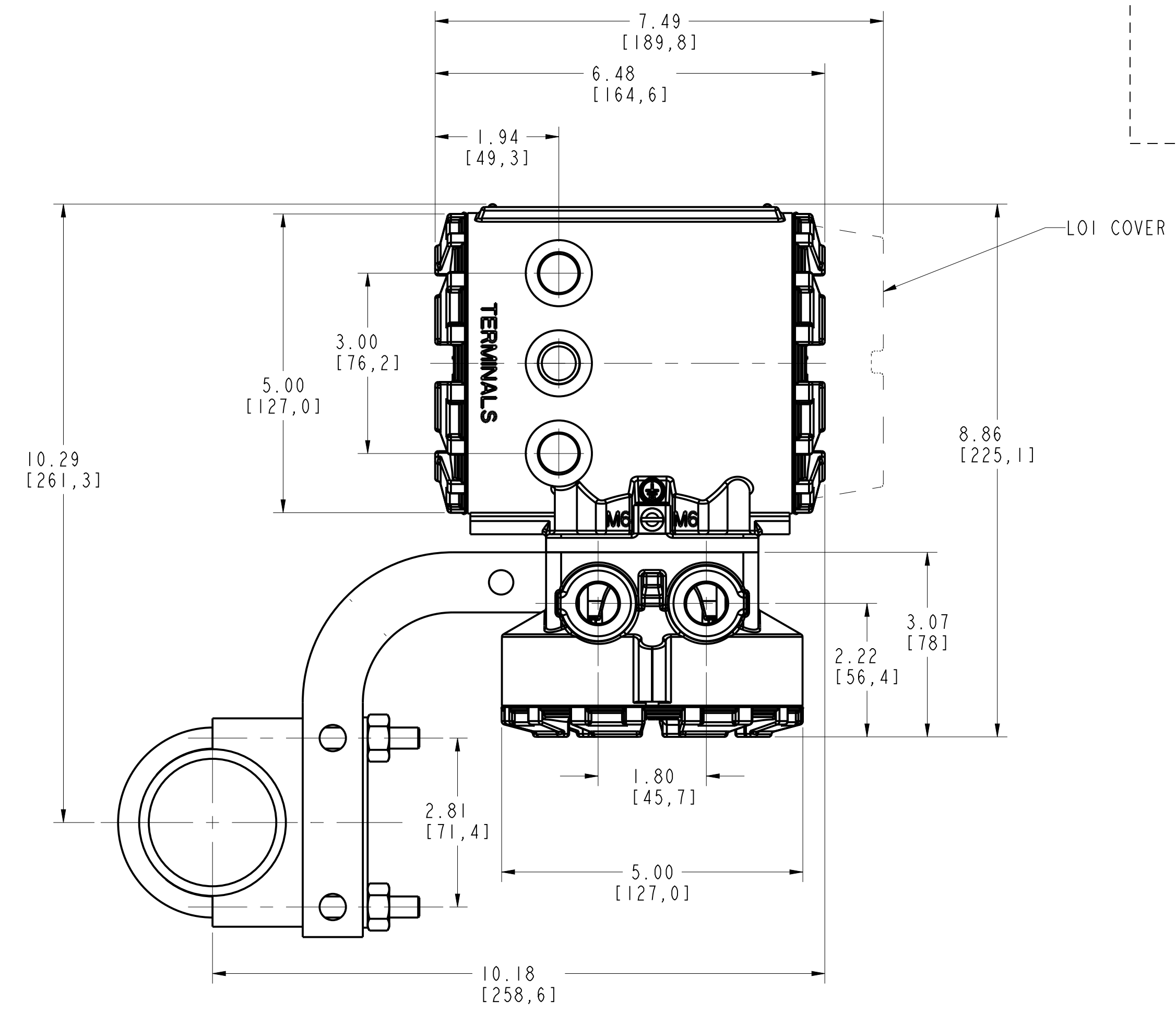
INTEGRAL MOUNT



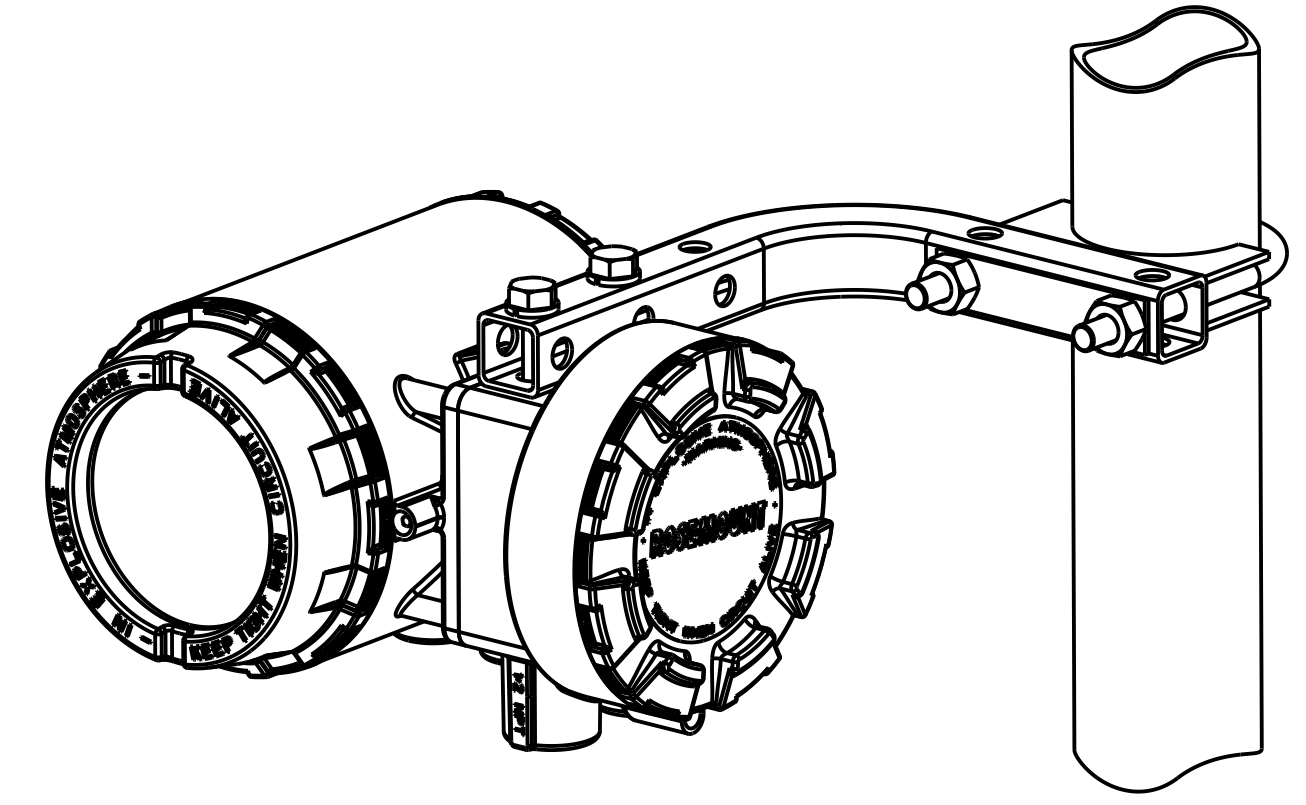
JUNCTION BOX
SENSOR
REMOTE MOUNT



REMOTE MOUNT



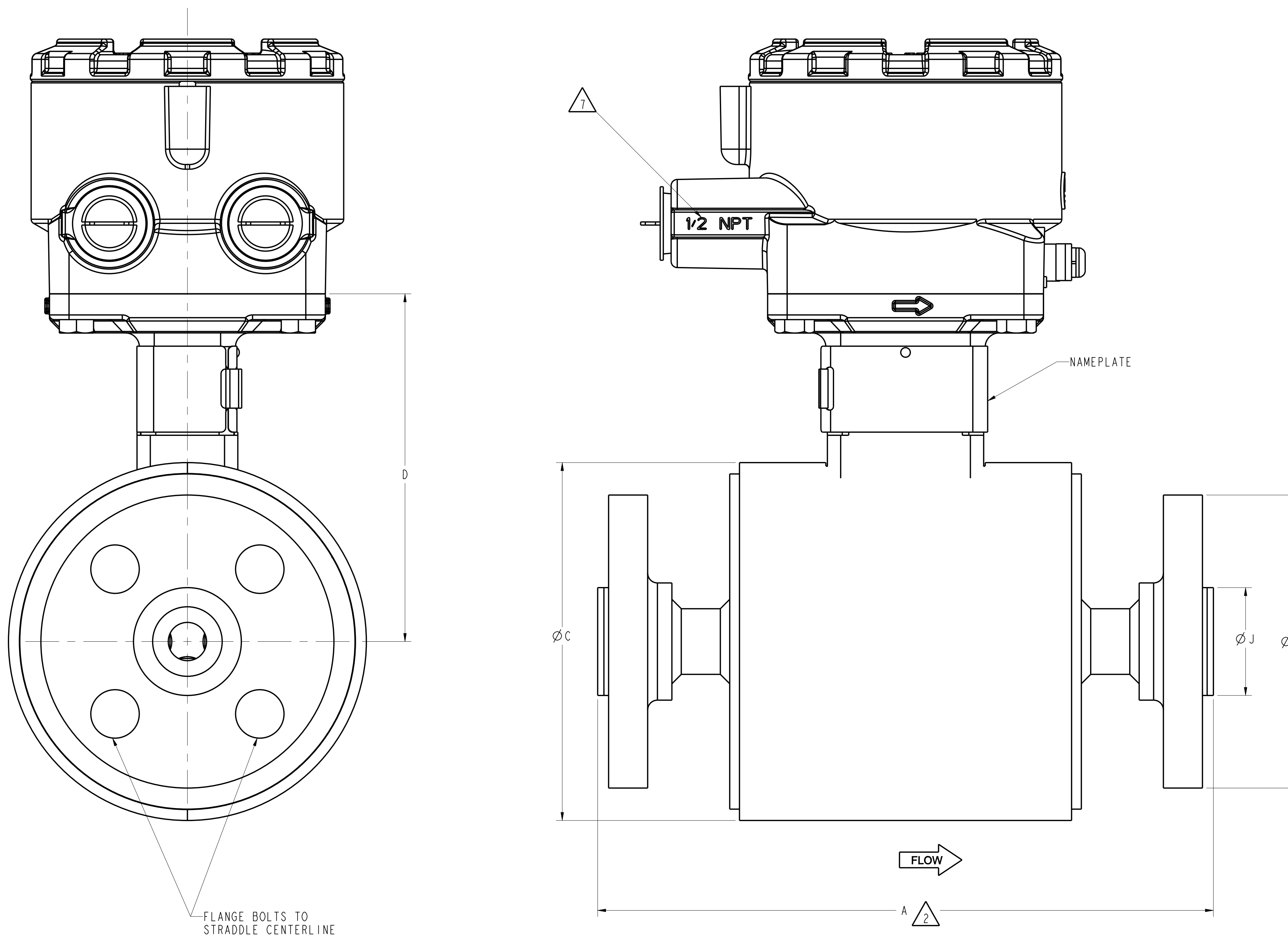
LOI COVER



DRAWING NO. 8750W-0026

CONFIDENTIAL AND PROPRIETARY INFORMATION IS CONTAINED HEREIN AND MUST BE HANDLED ACCORDINGLY.		SURFACE FINISH UNLESS OTHERWISE SPECIFIED		3RD ANGLE	SIZE D	SCALE -	REV AD
UNLESS OTHERWISE SPECIFIED DIMENSIONS IN INCHES (mm). REMOVE ALL BURRS AND SHARP EDGES.		ROSEMOUNT					
-DEC TOLERANCES-		EMERSON					
.X ± -	I-I	TITLE DIMENSIONAL DRAWING					
.XX ± -	I-I	MODEL 8750W MAGNETIC FLOWTUBE-STANDARD PRESSURE					
.XXX ± -	I-I	DR. J. LAGE 1/8/15 DRAWING NO. 8750W-0026					
FRACTIONS ± -	ANGLES ± -	APP'D Y.Z.					
DO NOT SCALE PRINT		CAD MAINTAINED, (PRO/E)		PRODUCT CODE		DOC TYPE SHEET 2 OF 10	

.05" THRU 2.5" WITH SLIP-ON FLANGES
SEE TABLE 1A

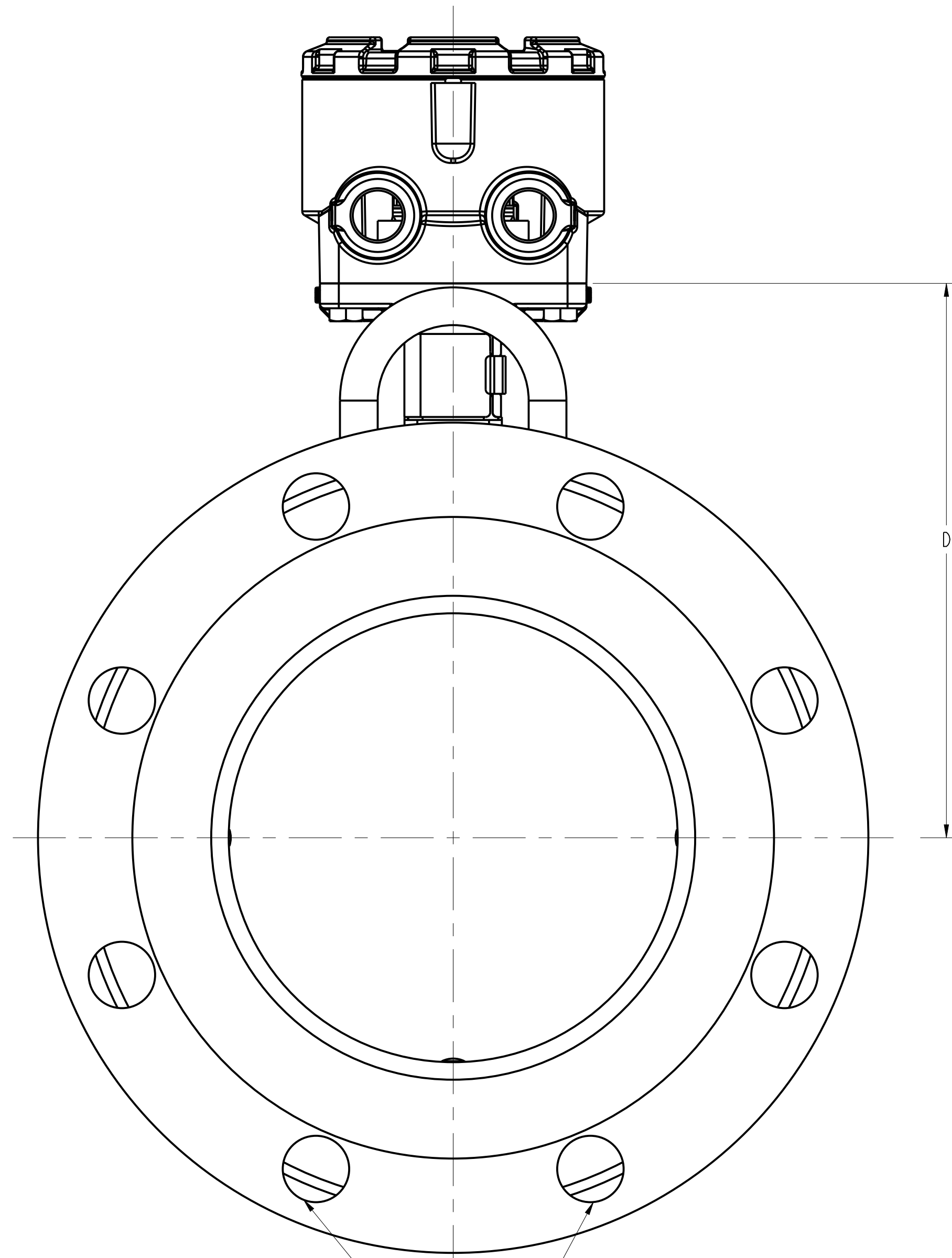


REMOTE MOUNT WITH RAISE FACE FLANGE SHOWN

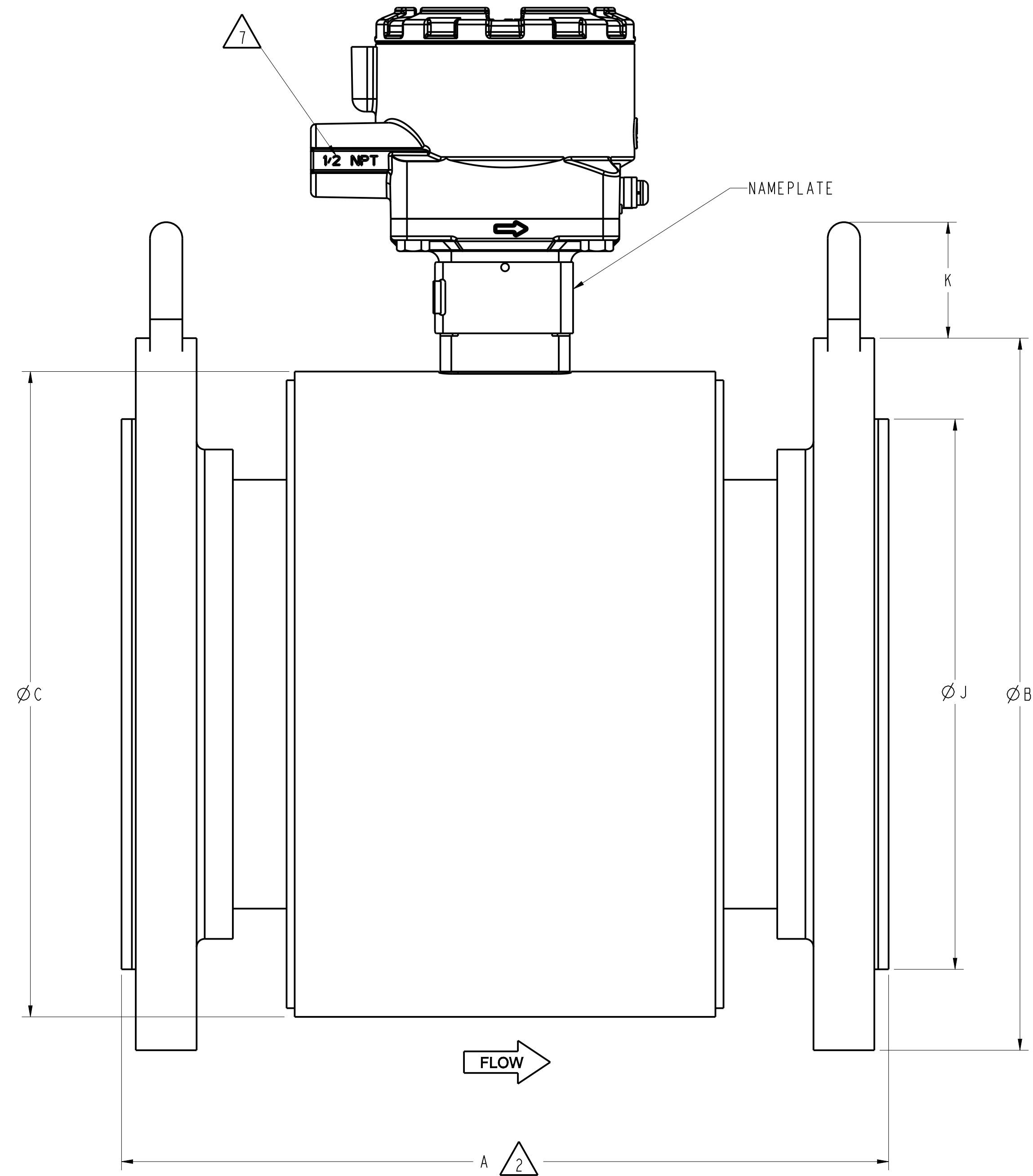
CONFIDENTIAL AND PROPRIETARY INFORMATION IS CONTAINED HEREIN AND MUST BE HANDLED ACCORDINGLY.	SURFACE FINISH UNLESS OTHERWISE SPECIFIED	✓	3RD ANGLE	⊕	SIZE D	SCALE -	REV AD
UNLESS OTHERWISE SPECIFIED DIMENSIONS IN INCHES (mm). REMOVE ALL BURRS AND SHARP EDGES.	EMERSON ROSEMOUNT						
-DEC TOLERANCES-	TITLE DIMENSIONAL DRAWING						
.X ± - [-]	MODEL 8750W MAGNETIC FLOWTUBE-STANDARD PRESSURE						
.XX ± - [-]	DR. J. LAGE 1/8/15 DRAWING NO. 8750W-0026						
.XXX ± - [-]	APP'D Y.Z.						
FRACTIONS ± -	ANGLES ± -						
DO NOT SCALE PRINT	CAD MAINTAINED, (PROV/E)	PRODUCT CODE	DOC TYPE	SHEET 3 OF 10			

DRAWING NO. 8750W-0026

3" THRU 48", WITH SLIP-ON FLANGES
SEE TABLE 2A, 2B, 2C, AND 2D




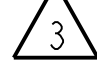
FLANGE BOLTS TO
STRADDLE CENTERLINE

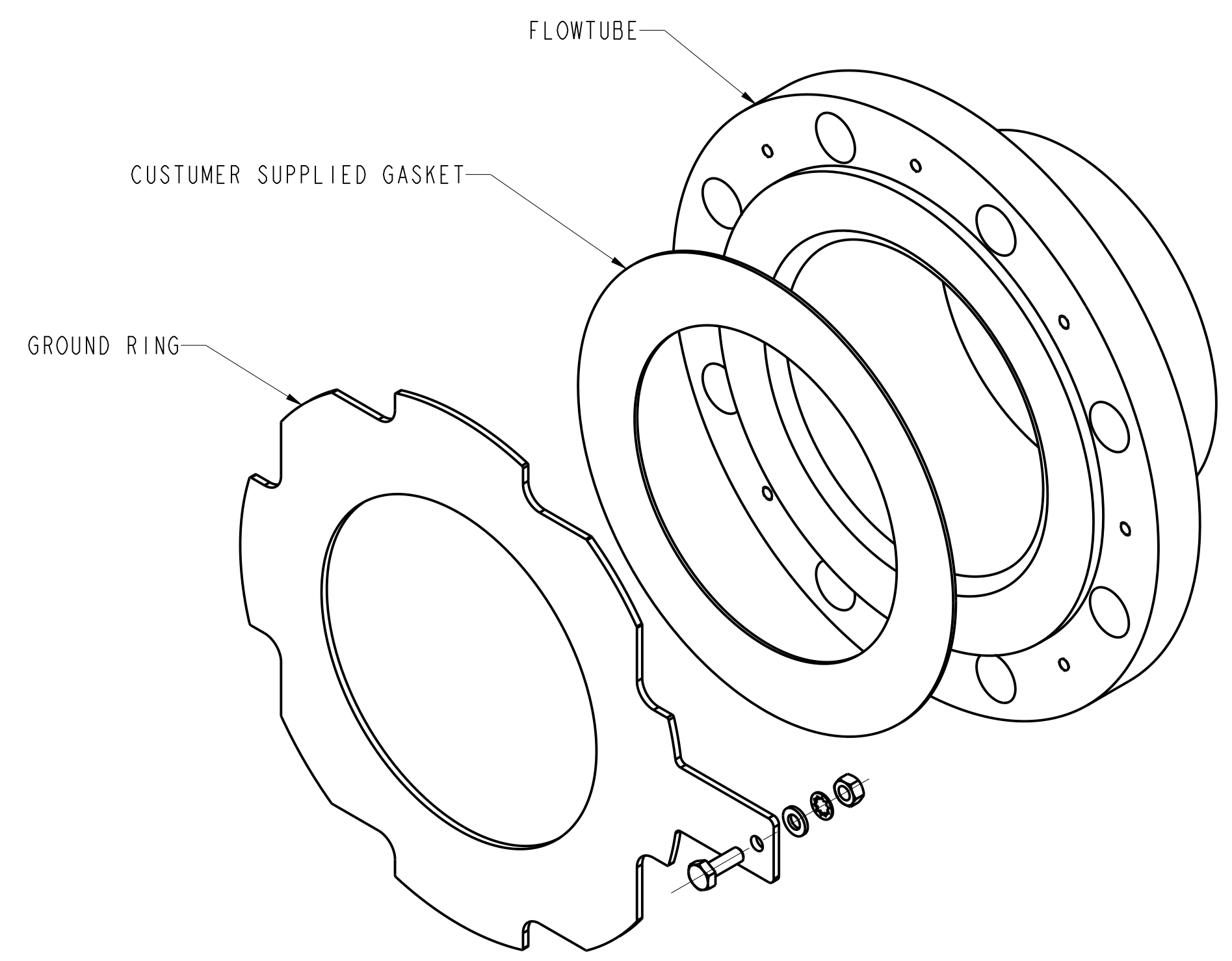


REMOTE MOUNT WITH RAISE FACE FLANGE SHOWN



DRAWING NO. 8750W-0026

CONFIDENTIAL AND PROPRIETARY INFORMATION IS CONTAINED HEREIN AND MUST BE HANDLED ACCORDINGLY.		SURFACE FINISH UNLESS OTHERWISE SPECIFIED		✓	3RD ANGLE		SIZE D	SCALE -	REV AD
UNLESS OTHERWISE SPECIFIED DIMENSIONS IN INCHES (mm). REMOVE ALL BURRS AND SHARP EDGES.		EMERSON ROSEMOUNT							
-DEC TOLERANCES-		TITLE DIMENSIONAL DRAWING							
.X ± -	[-]	MODEL 8750W MAGNETIC FLOWTUBE-STANDARD PRESSURE							
.XX ± -	[-]	DR. J. LAGE		1/8/15		DRAWING NO.		8750W-0026	
.XXX ± -	[-]	APP'D Y.Z.							
FRACTIONS ± -	ANGLES ± -	DO NOT SCALE PRINT		CAD MAINTAINED, (PRO/E)		PRODUCT CODE		DOC TYPE SHEET 5 OF 10	

TABLE 2D: 30" - 48" with Slip -On Flanges(Flat Face) -- inch													TABLE 2D: 30" - 48" with Slip -On Flanges(Flat Face) -- millimeter												
Size, Description	Model Number 	OVERALL LENGTH			FLANGE Ø DIM "B"	Body Ø DIM "C"	DIM "D"	Liner Ø on Face			Lift Ring Height DIM "K"	Flow Tube Weight (lbs.)	Size, Description	Model Number 	OVERALL LENGTH			FLANGE Ø DIM "B"	Body Ø DIM "C"	DIM "D"	Liner Ø on Face			Lift Ring Height DIM "K"	Flow Tube Weight (kg)
		DIM "A" PTFE	DIM "A" Neoprene	DIM "A" Poly				DIM "J" PTFE	DIM "J" Neoprene	DIM "J" Ploy					DIM "A" PTFE	DIM "A" Neoprene	DIM "A" Poly				DIM "J" PTFE	DIM "J" Neoprene	DIM "J" Ploy		
30 (750) AWWA CLASS D, SO / FF	8750WD...F_ _ _300FAD	29.34	29.14	29.26	38.75	33.00	16.38	33.75	38.75	33.75	3.13	789	30 (750) AWWA CLASS D, SO/FF	8750WD...F_ _ _300FAD	745	740.16	743	984	838	416	857	984	857	80	358
30 (750) AWWA CLASS E, SO / FF	8750WD...F_ _ _300FAE	29.34	29.14	29.26	38.75	33.00	16.38	33.75	38.75	33.75	3.13	1205	30 (750) AWWA CLASS E, SO/FF	8750WD...F_ _ _300FAE	745	740.16	743	984	838	416	857	984	857	80	548
30 (750) AWWA CLASS F, SO / FF	8750WD...F_ _ _300FAF	29.34	29.14	29.26	43.00	33.00	16.38	33.75	43.00	33.75	3.13	1795	30 (750) AWWA CLASS F, SO/FF	8750WD...F_ _ _300FAF	745	740.16	743	1092	838	416	857	1092	857	80	816
36 (900) AWWA C207 CLASS D, SO/FF	8750WD...F_ _ _360FAD	35.25	35.05	35.17	46.00	39.00	21.86	40.25	40.25	40.25	3.13	1148	36 (900) AWWA C207 CLASS D, SO/FF	8750WD...F_ _ _360FAD	895	890.27	893	1168	991	555	1022	1022	1022	80	521
36 (900) AWWA C207 CLASS E, SO/FF	8750WD...F_ _ _360FAE	35.25	35.05	35.17	46.00	39.00	21.86	40.25	46.00	40.25	3.13	1911	36 (900) AWWA C207 CLASS E, SO/FF	8750WD...F_ _ _360FAE	895	890.27	893	1168	991	555	1022	1168	1022	80	867
36 (900) AWWA C207 CLASS F, SO/FF	8750WD...F_ _ _360FAF	35.25	35.05	35.17	50.00	39.00	21.86	40.25	50.00	40.25	3.13	2651	36 (900) AWWA C207CLASS F, SO/FF	8750WD...F_ _ _360FAF	895	890.27	893	1270	991	555	1022	1270	1022	80	1202
40 (1000) AWWA CLASS D, SO/FF	8750WD...F_ _ _400FAA	NA	39.40	NA	50.75	47.27	25.86	NA	50.75	NA	3.38	1435	40 (1000) AWWA CLASS D, SO/FF	8750WD...F_ _ _400FAA	NA	1001	NA	1289	1201	657	NA	1289	NA	86	651
40 (1000) AWWA CLASS E, SO/FF	8750WD...F_ _ _400FAE	NA	39.40	NA	50.75	47.27	25.86	NA	50.75	NA	3.38	2464	40 (1000) AWWA CLASS E, SO/FF	8750WD...F_ _ _400FAE	NA	1001	NA	1289	1201	657	NA	1289	NA	86	1118
42 (1050) AWWA C207 CLASS D, SO/FF	8750WD...F_ _ _420FAA	NA	42.00	41.82	53.00	49.27	26.86	NA	53.00	47.50	3.38	1550	42 (1050) AWWA C207 CLASS D, SO/FF	8750WD...F_ _ _420FAA	NA	1067	1062	1346	1251	682	NA	1346	1207	86	703
42 (1050) AWWA C207 CLASS B, SO/FF	8750WD...F_ _ _420FAB	NA	NA	41.82	NA	NA	NA	NA	NA	47.50	3.38	NA	42 (1050) AWWA C207 CLASS B, SO/FF	8750WD...F_ _ _420FAB	NA	NA	1062	NA	NA	NA	NA	NA	1207	86	NA
42 (1050) AWWA C207 CLASS E, SO/FF	8750WD...F_ _ _420FAE	NA	42.00	41.82	53.00	49.27	26.86	NA	53.00	47.50	3.38	2400	42 (1050) AWWA C207 CLASS E, SO/FF	8750WD...F_ _ _420FAE	NA	1067	1062	1346	1251	682	NA	1346	1207	86	1089
42 (1050) AWWA C207 CLASS F, SO/FF	8750WD...F_ _ _420FAF	NA	NA	41.82	NA	NA	NA	NA	NA	50.25	3.38	NA	42 (1050) AWWA C207 CLASS F, SO/FF	8750WD...F_ _ _420FAF	NA	NA	1062	NA	NA	NA	NA	NA	1276	86	NA
48 (1200) AWWA C207 CLASS D, SO/FF	8750WD...F_ _ _480FAA	NA	47.20	47.52	59.50	55.27	29.86	NA	59.50	54.00	3.38	1892	48 (1200) AWWA C207 CLASS D, SO/FF	8750WD...F_ _ _420FAA	NA	1199	1207	1511	1404	758	NA	1511	1372	86	858
48 (1200) AWWA C207 CLASS E, SO/FF	8750WD...F_ _ _480FAE	NA	47.20	47.52	59.50	55.27	29.86	NA	59.50	NA	3.38	3152	48 (1200) AWWA C207 CLASS E, SO/FF	8750WD...F_ _ _420FAE	NA	1199	1207	1511	1404	758	NA	1511	NA	86	1430



GROUND RINGS

LINE SIZE (INCH)	TABLE 3 GROUND RING THICKNESS (INCH)  	
	QUANTITY (SINGLE)	QUANTITY (DOUBLE)
0.5	0.059	0.12
1	0.059	0.12
1.5	0.059	0.12
2	0.059	0.12
2.5	0.059	0.12
3	0.059	0.12
4	0.059	0.12
5	0.059, 0.12	0.12, 0.24
6	0.059	0.12
8	0.059	0.12
10	0.059	0.12
12	0.059, 0.12	0.12, 0.24
14	0.12, 0.025	0.24, 0.5
16	0.12, 0.025	0.24, 0.5
18	0.12, 0.025	0.24, 0.5
20	0.12, 0.025	0.24, 0.5
24	0.187, 0.25	0.374, 0.5
30	0.187, 0.25	0.374, 0.5
36	0.187, 0.25	0.374, 0.5
40	0.25	0.5
42	0.25	0.5
48	0.25	0.5

CONFIDENTIAL AND PROPRIETARY INFORMATION IS CONTAINED HEREIN AND MUST BE HANDLED ACCORDINGLY.

UNLESS OTHERWISE SPECIFIED DIMENSIONS IN INCHES (mm). REMOVE ALL BURRS AND SHARP EDGES.

EMERSON ROSEMOUNT

TITLE: DIMENSIONAL DRAWING
MODEL: 8750W MAGNETIC FLOW TUBE-STANDARD PRESSURE

DR. J. LAGE 1/8/15 DRAWING NO. 8750W-0026

DO NOT SCALE PRINT CAD MAINTAINED, (PRO/E) PRODUCT CODE DOC TYPE SHEET 10 OF 10

DRAWING NO. 8750W-0026