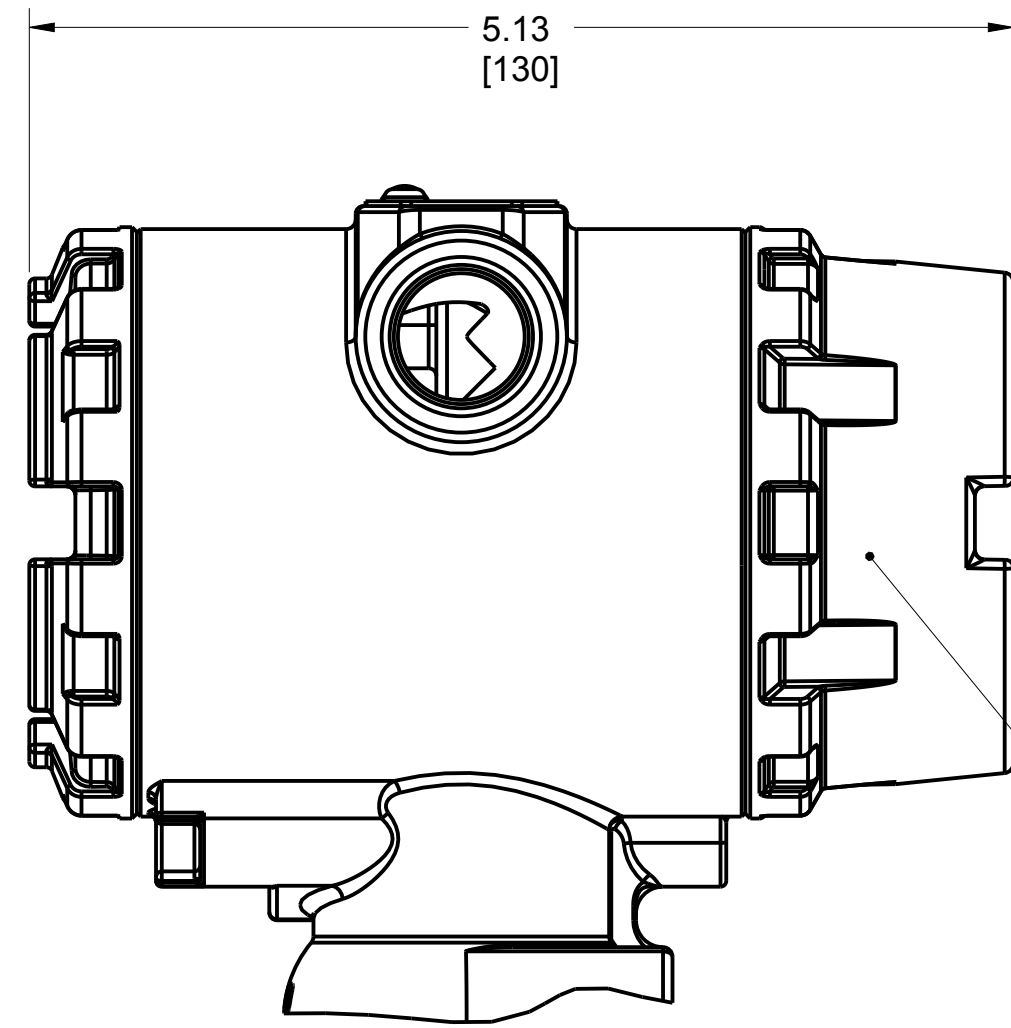


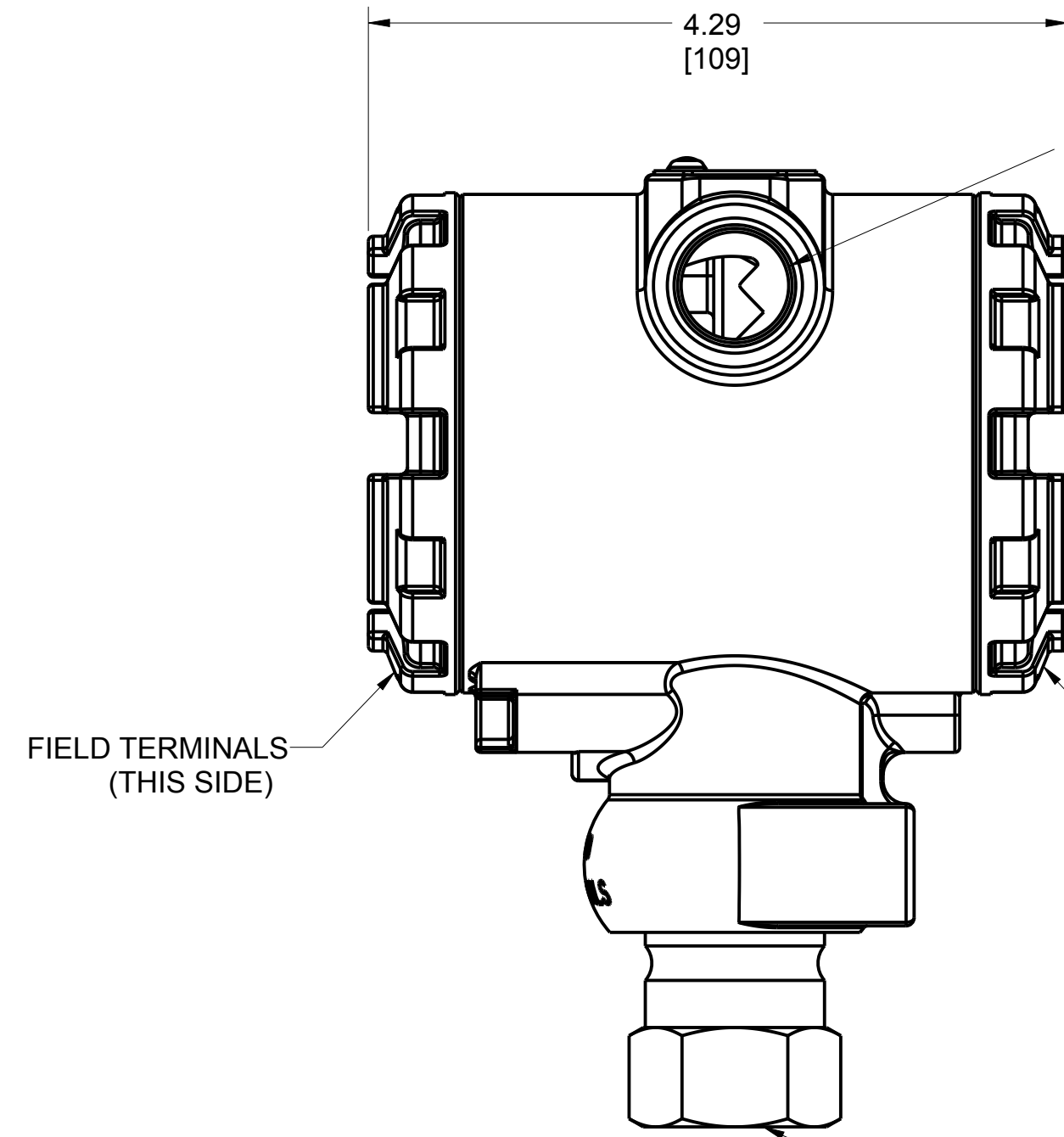
ROSEMOUNT 2088 ABSOLUTE AND GAGE PRESSURE TRANSMITTER WITH PROCESS CONNECTION

REVISION TABLE			
REVISION	ECO NO.	APP'D	DATE
AF	RTC1068350	N. MEIDL	6/13/17
DESCRIPTION			
UPDATE VIEWS AND DIMENSIONS			

SHOWN WITH OPTIONAL DIGITAL DISPLAY



DIGITAL DISPLAY COVER

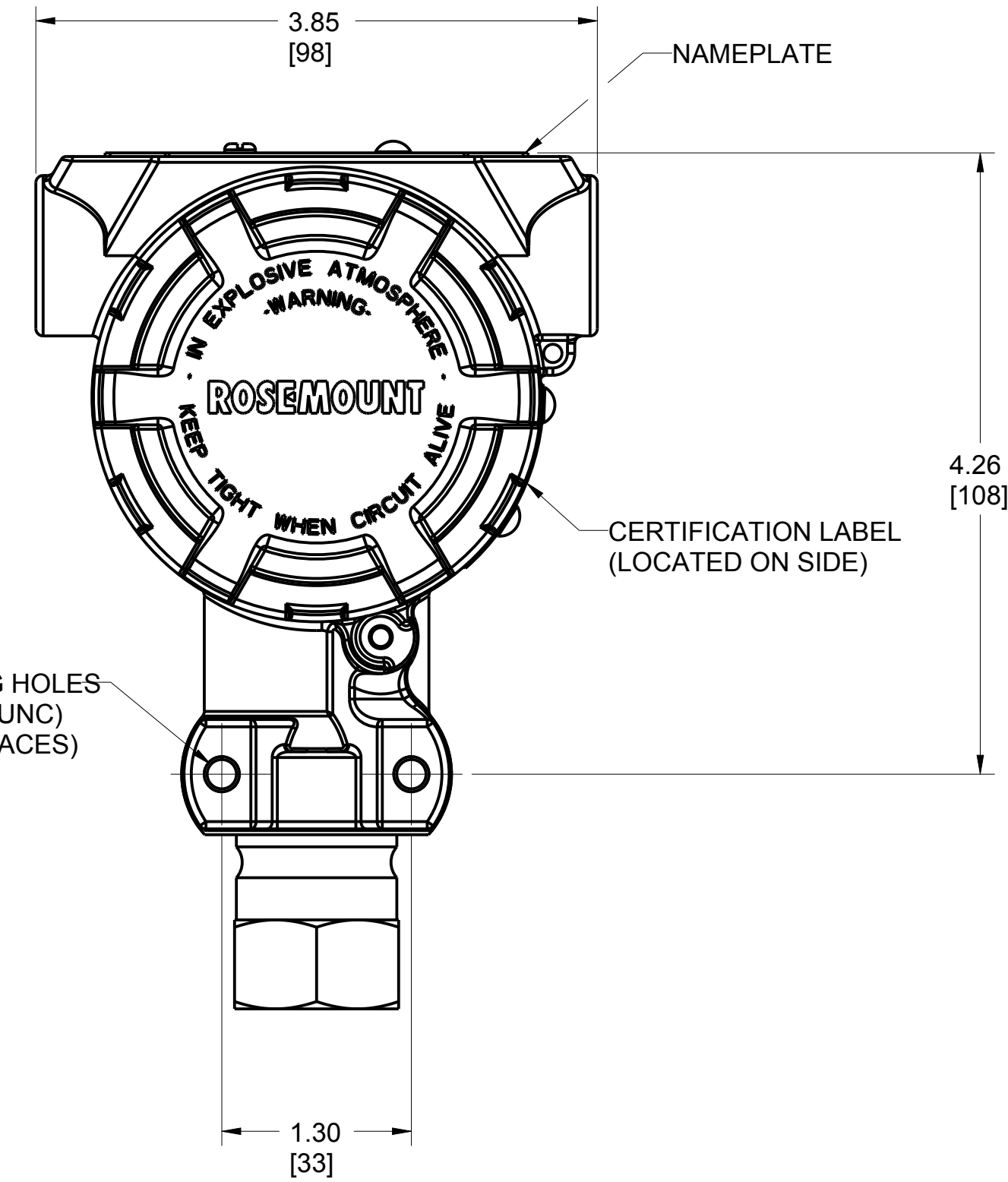


FIELD TERMINALS (THIS SIDE)

CONDUIT CONNECTION (2 PLACES)

TRANSMITTER ELECTRONICS (THIS SIDE)

1/2-14 NPT FEMALE OR RC 1/2 FEMALE (PT 1/2 FEMALE)

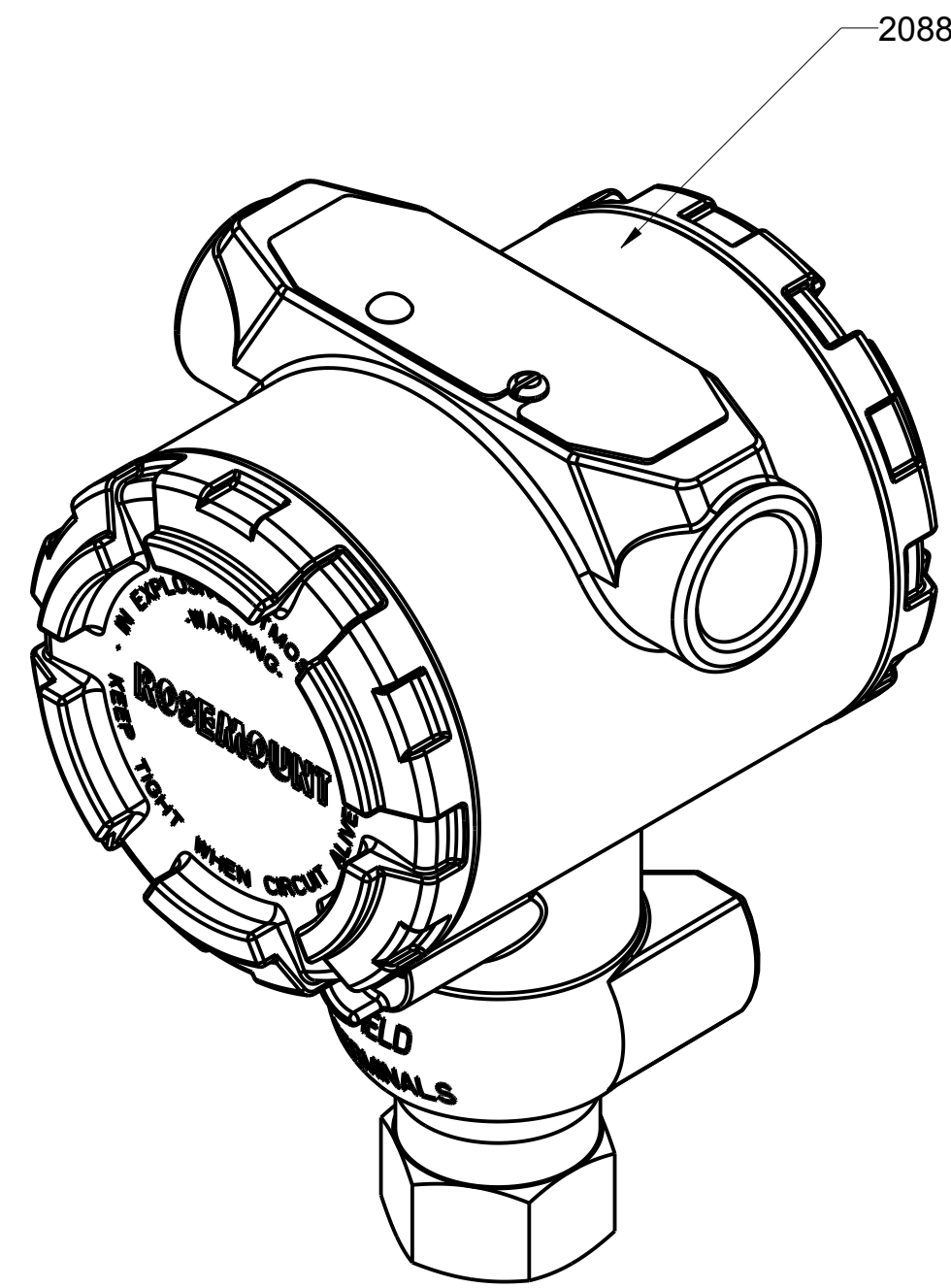


NAMEPLATE

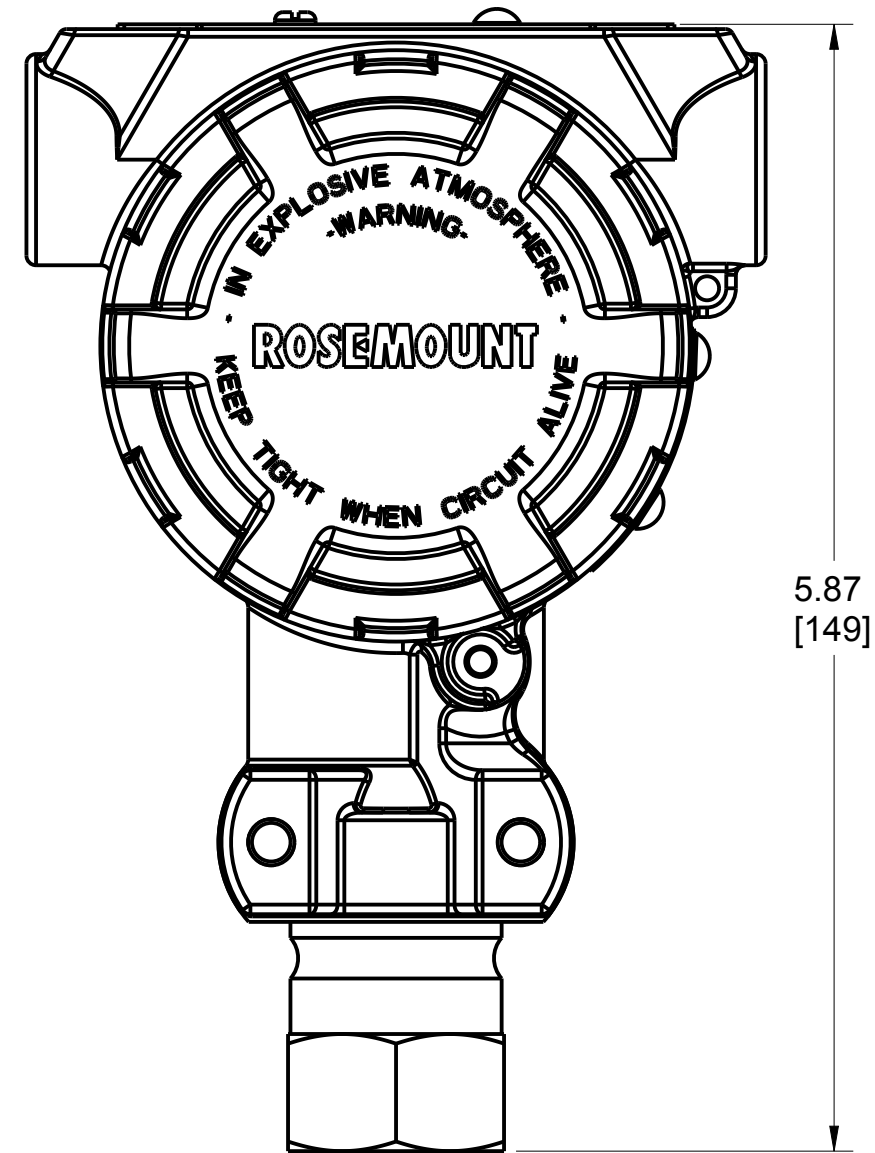
CERTIFICATION LABEL (LOCATED ON SIDE)

BRACKET MOUNTING HOLES (1/4-20 UNC) (2 PLACES)

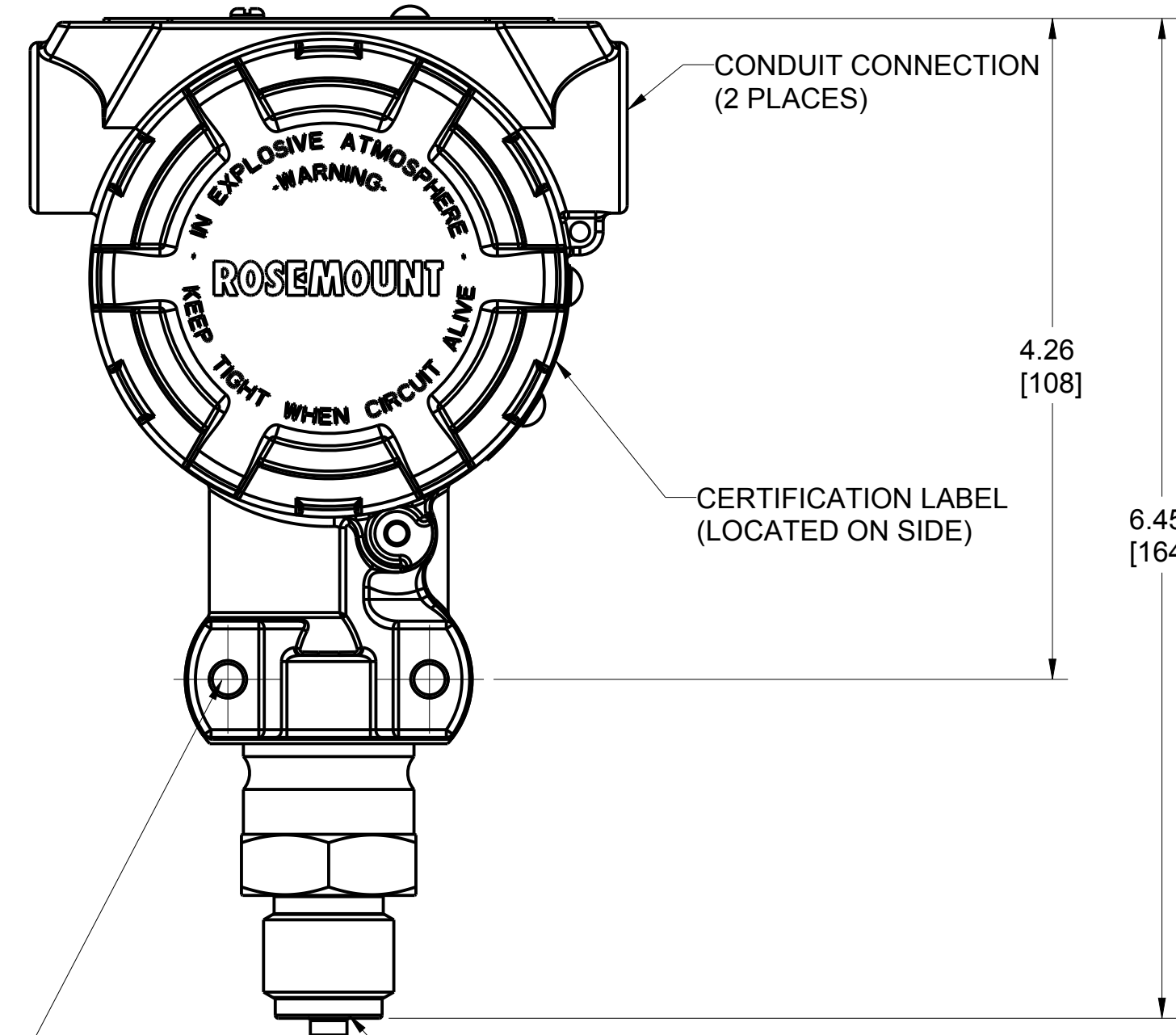
1.30 [33]



2088



5.87 [149]



CONDUIT CONNECTION (2 PLACES)

CERTIFICATION LABEL (LOCATED ON SIDE)

BRACKET MOUNTING HOLES (1/4-20 UNC) (2 PLACES)

DIN 16288 G 1/2 MALE or M20 3 1.5 MALE

©2015 ROSEMOUNT INC. ROSEMOUNT INC. CERTIFIES THIS PRODUCT TO THE REQUIREMENTS OF THE ATEX DIRECTIVE IN ACCORDANCE WITH ROSEMOUNT ENGINEERING SPECIFICATIONS. UNIT NOTES IN INCHES (mm). REFERENCE ROSEMOUNT PRODUCT SPECIFICATIONS. CLICK HERE

3RD ANGLE SIZE D SCALE NTS

EMERSON

TITLE: ROSEMOUNT 2088 TYPE I DRAWING

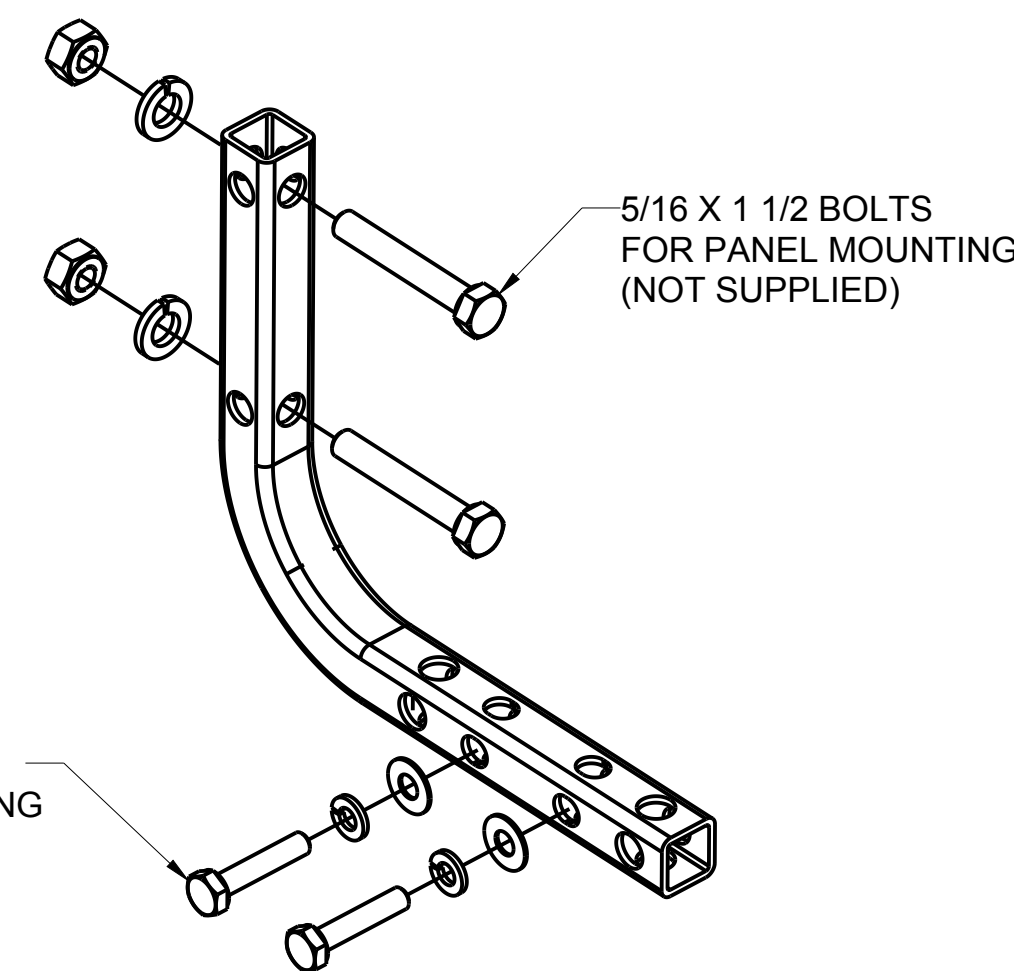
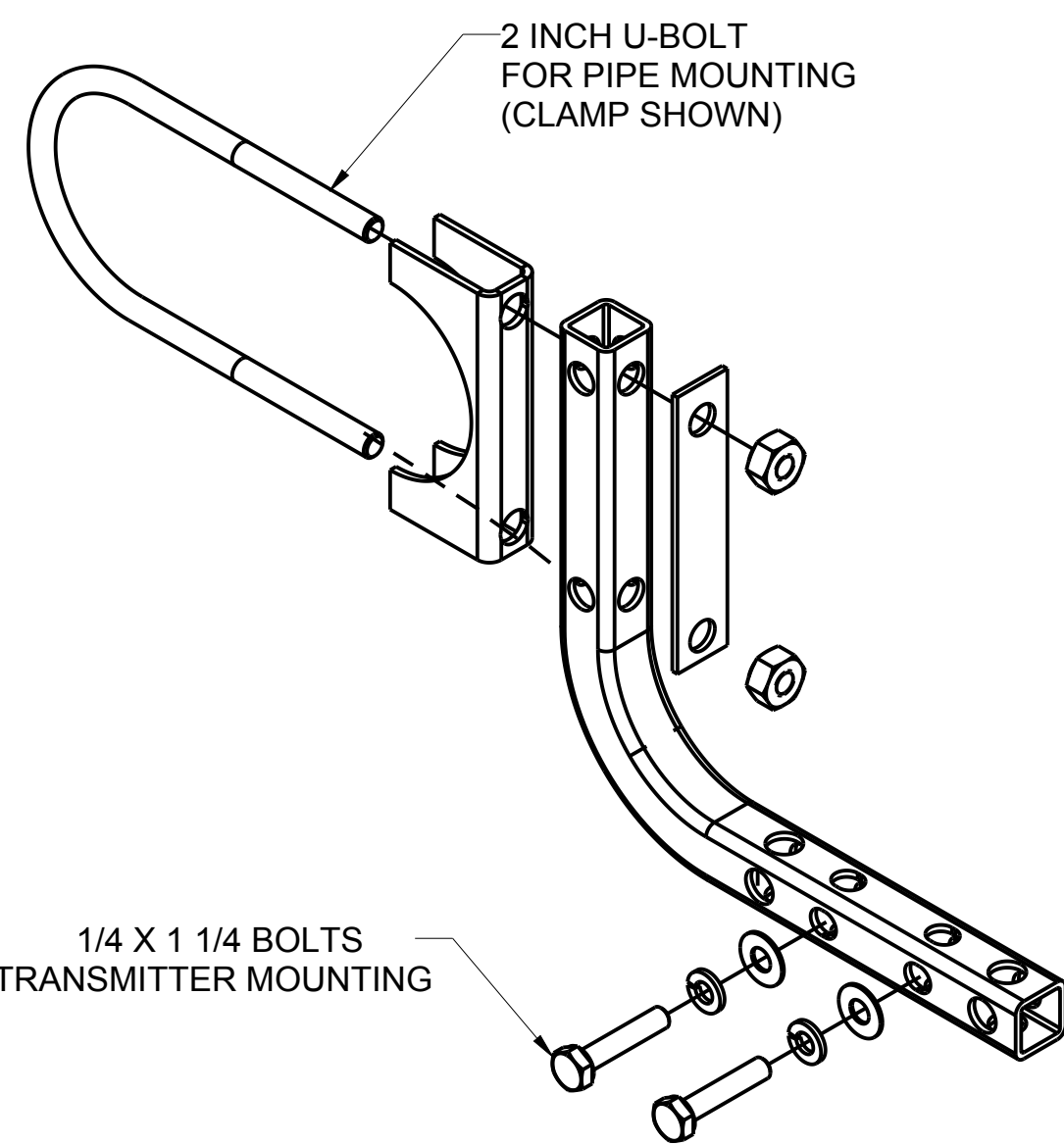
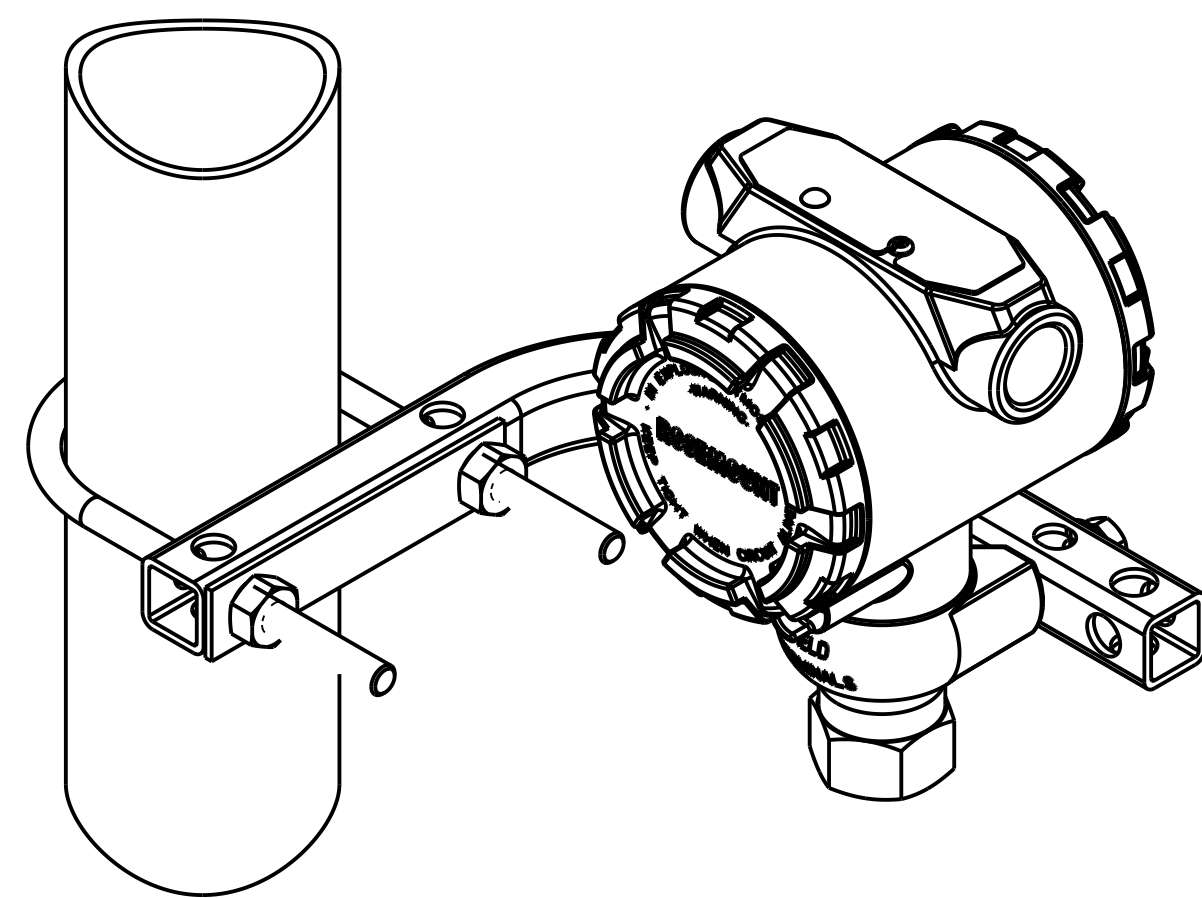
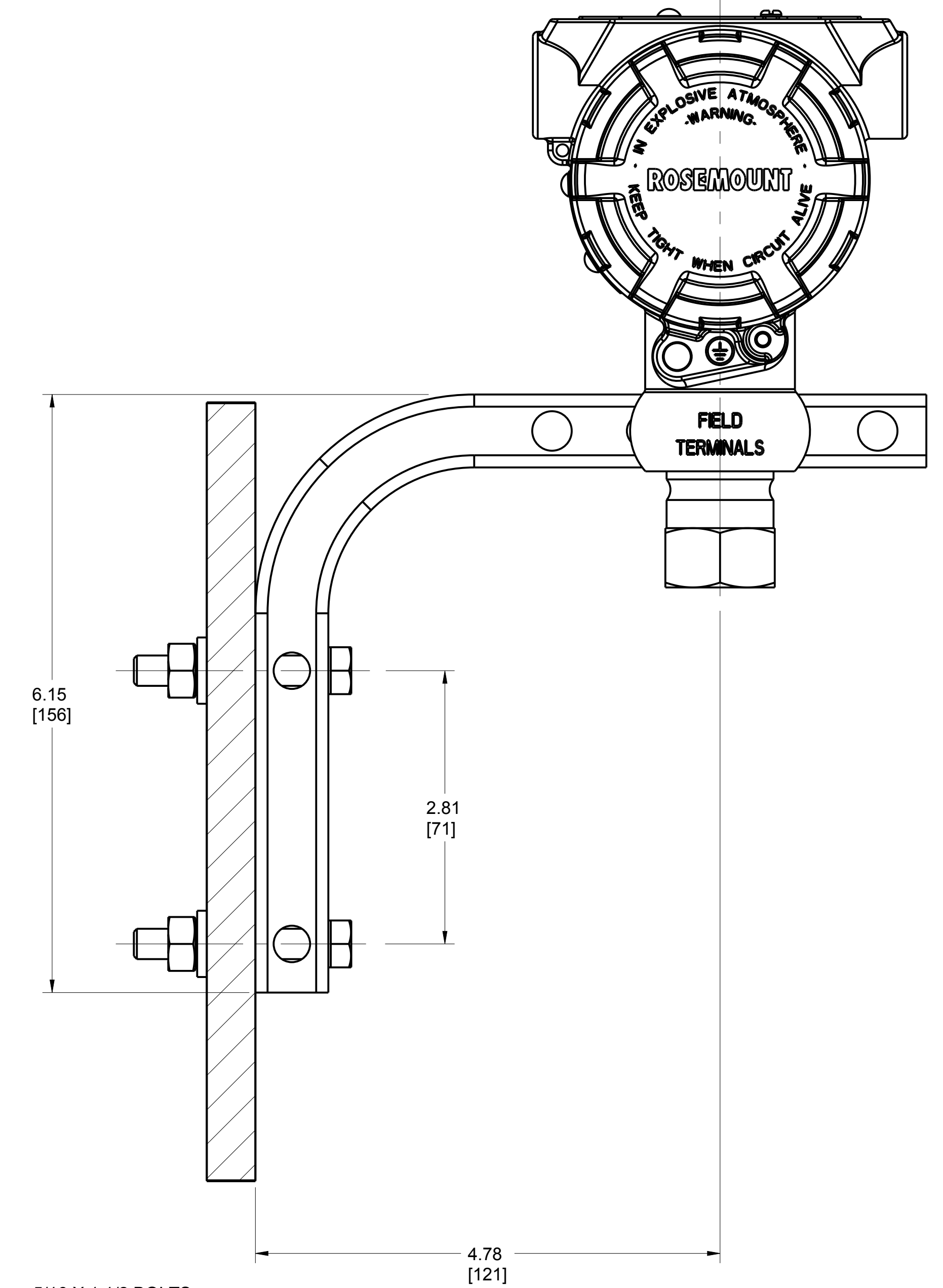
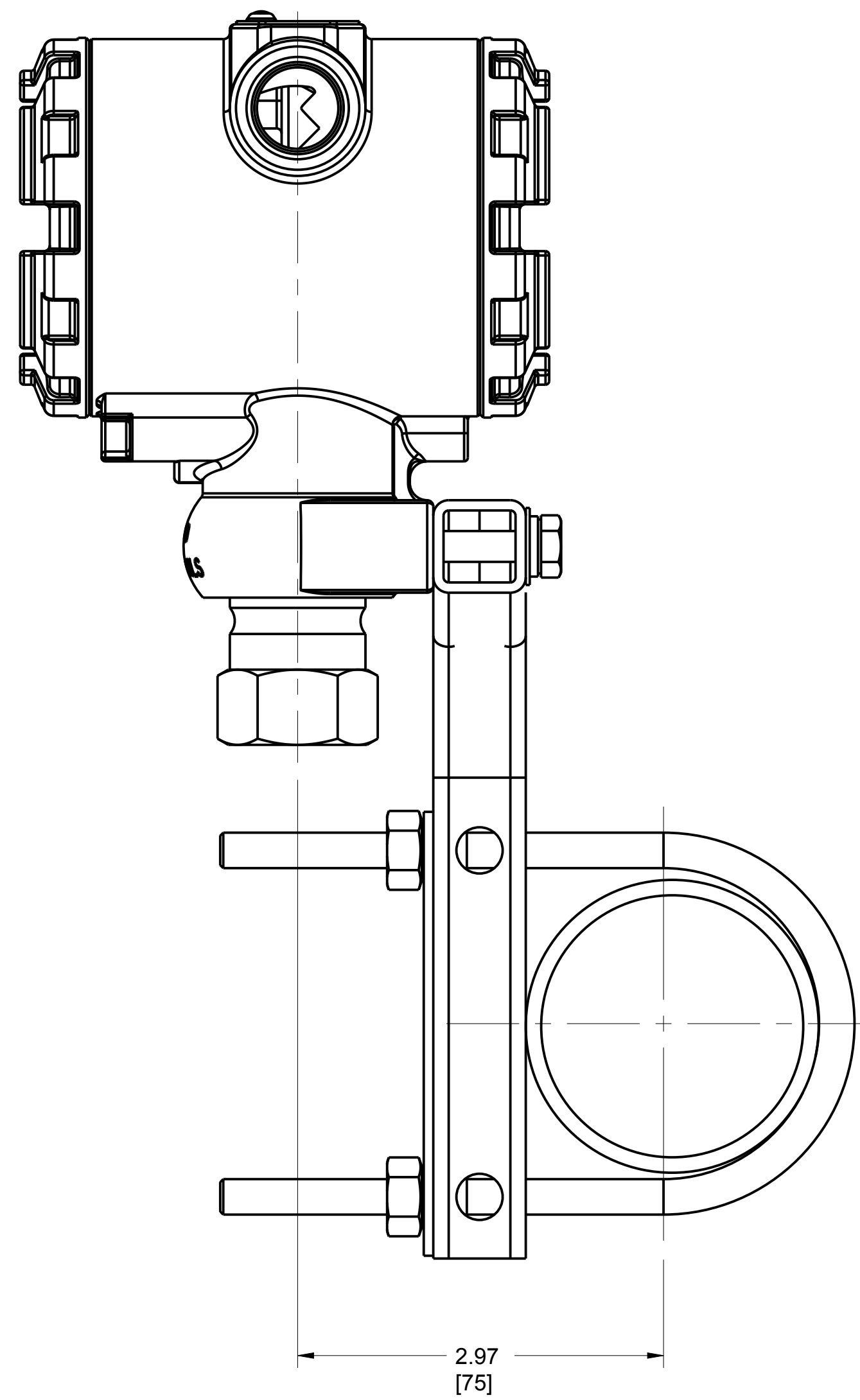
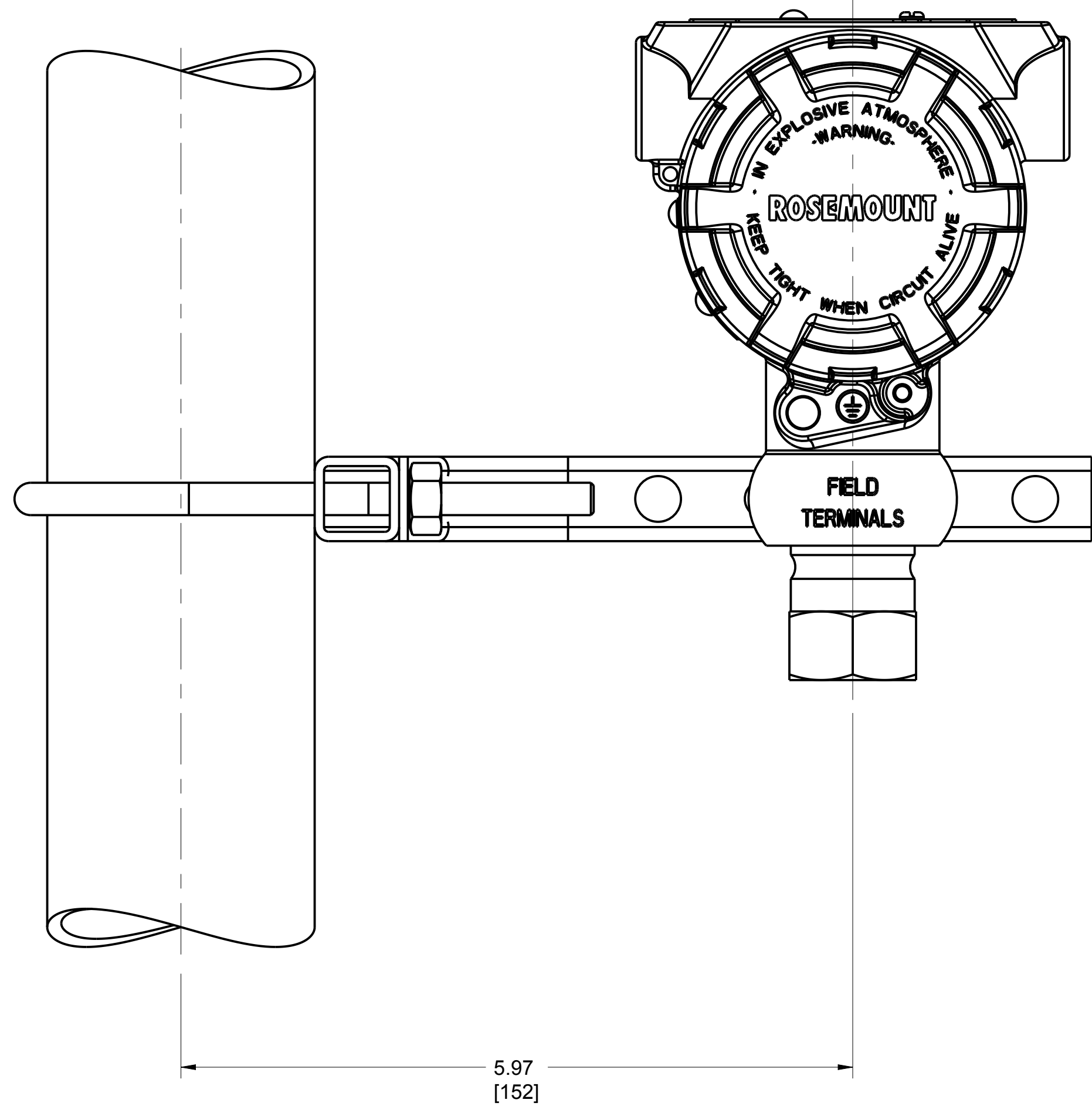
DR. J. ARMSTRONG	6/17/17	DRAWING NO.	02088-1035
APP'D N. MEIDL	6/17/17		

CAD MAINTAINED, (PROE) SHEET 1 OF 2

ROSEMOUNT 2088 ABSOLUTE AND GAGE PRESSURE TRANSMITTER MOUNTING CONFIGURATIONS WITH OPTIONAL MOUNTING BRACKET

PIPE MOUNTING

PANEL MOUNTING



©2015 ROSEMOUNT INC.
ROSEMOUNT INC. CERTIFIES
THIS DRAWING IS MADE IN
ACCORDANCE WITH
ROSEMOUNT ENGINEERING
SPECIFICATIONS.
UNIT NOTES IN INCHES (mm).

EMERSON

TITLE
**ROSEMOUNT 2088
TYPE I DRAWING**

DR. N. MEIDL 10/26/10 DRAWING NO. 02088-1035
APPD N. MEIDL 1/18/13
CAD MAINTAINED, (PROE) SHEET 2 OF 2

3RD ANGLE

SIZE D SCALE NTS

REFERENCE ROSEMOUNT
PRODUCT SPECIFICATIONS.
CLICK HERE