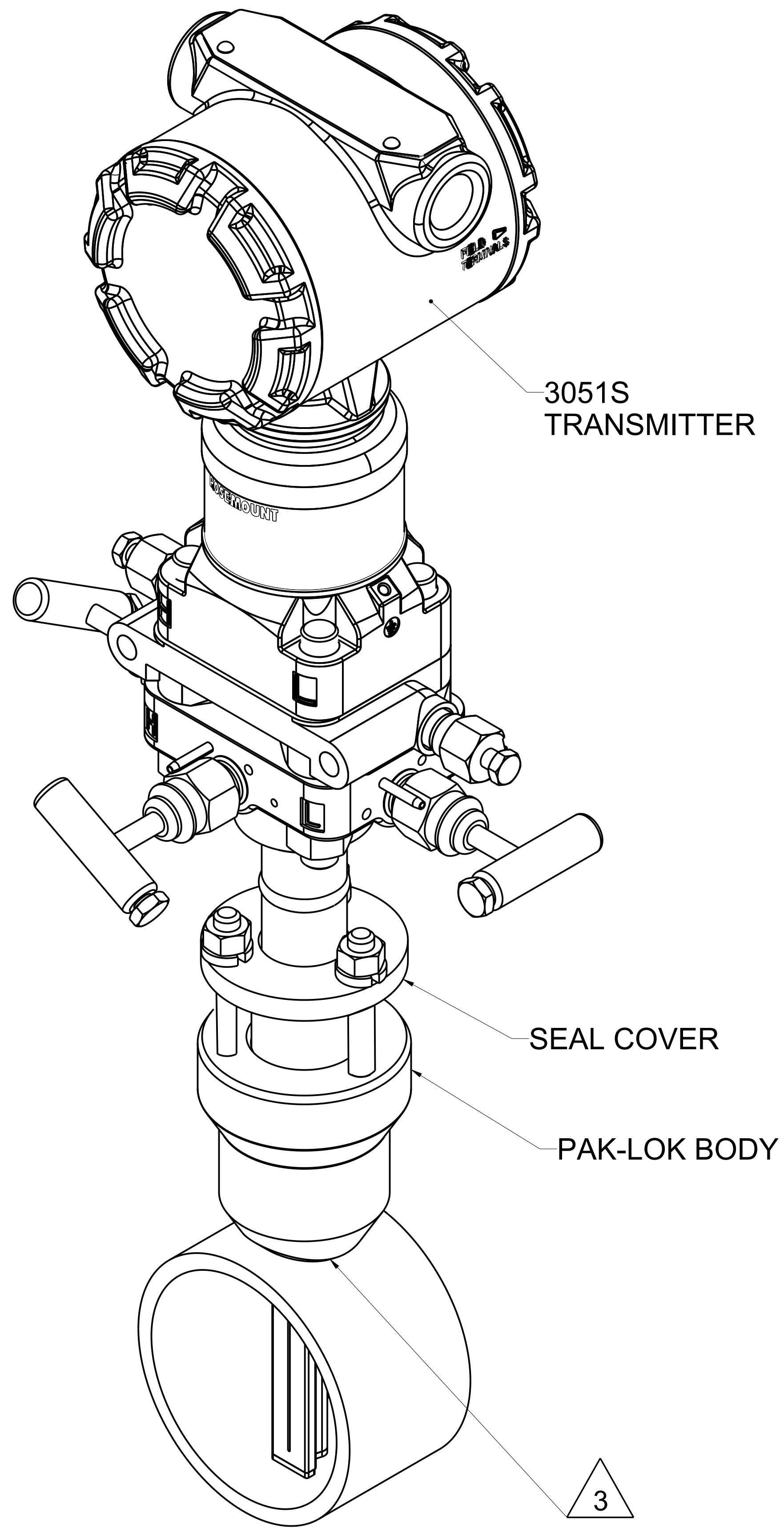


REVISION TABLE			
REVISION	ECO NO.	APP'D	DATE
AC	DSI1055475	JS	6/12/19
DESCRIPTION			
UPDATED SHEET 10,12; DELETED SHEET 11, 13 AND 14			

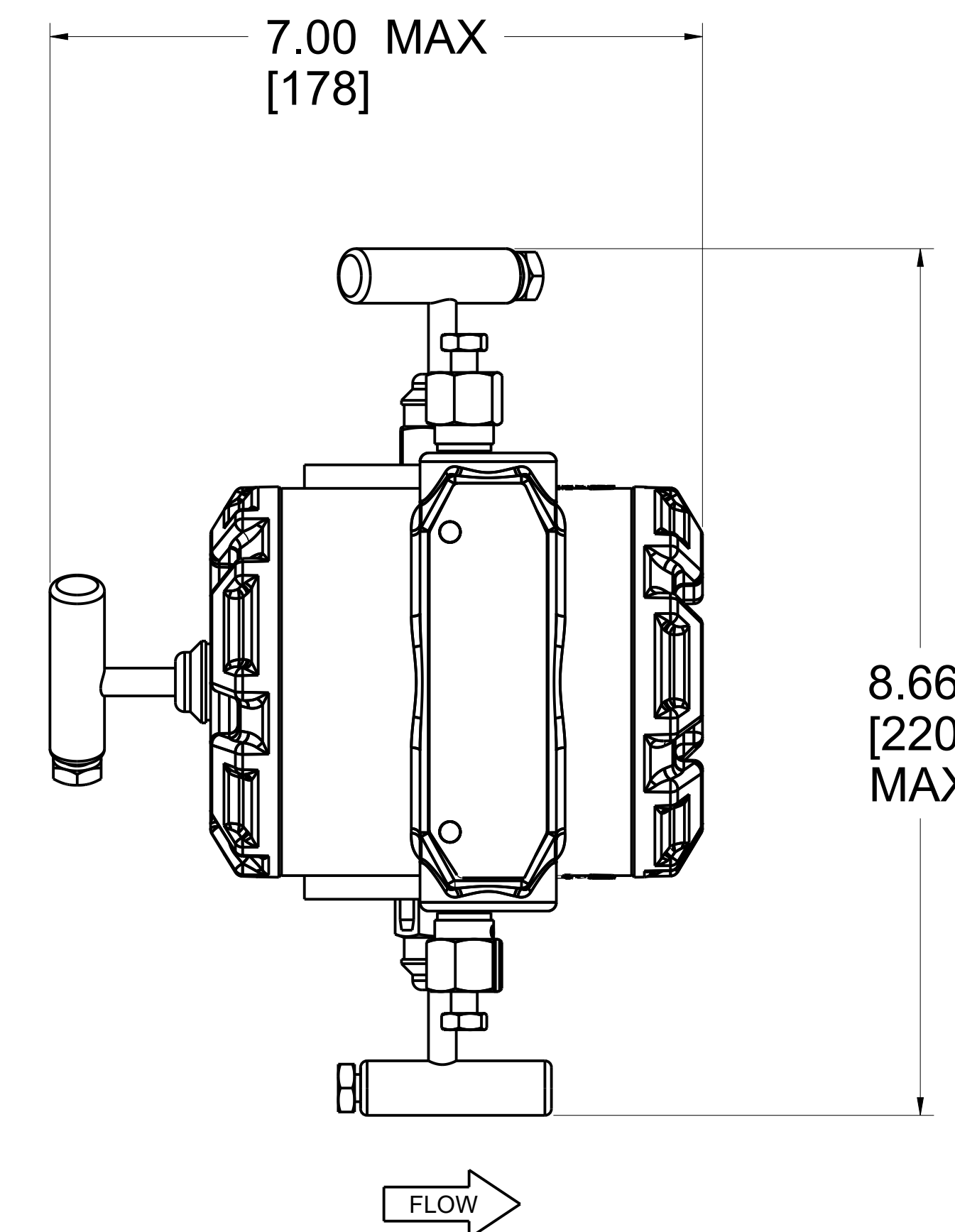
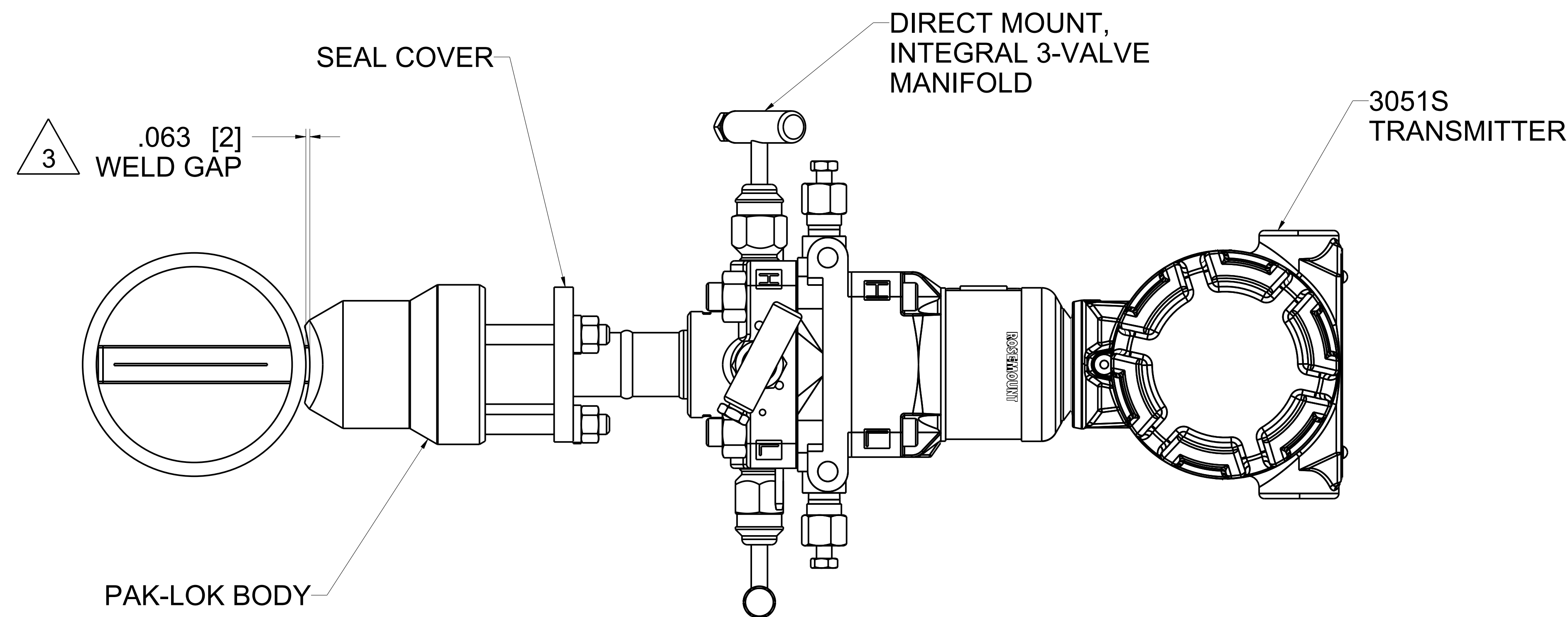
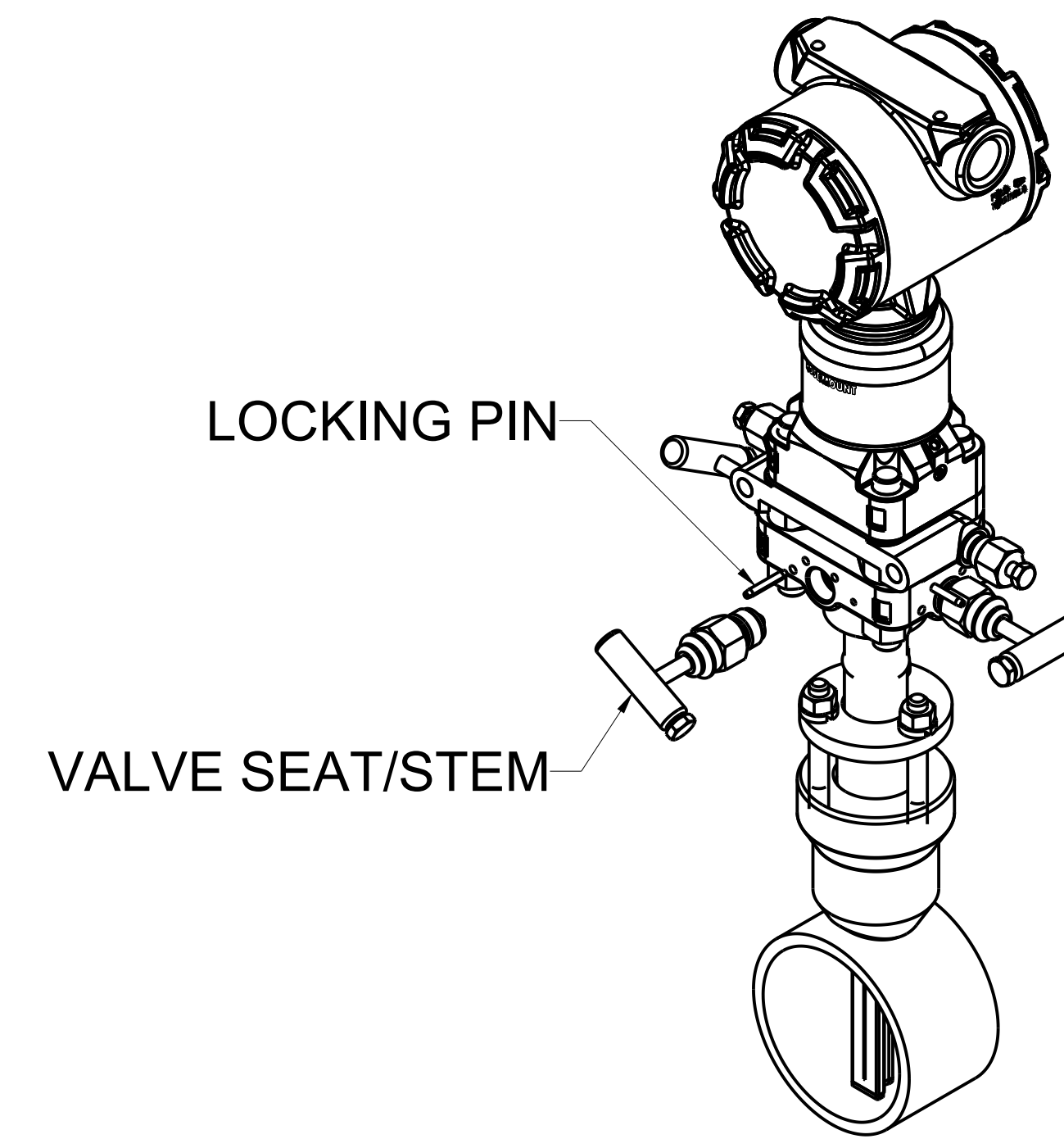
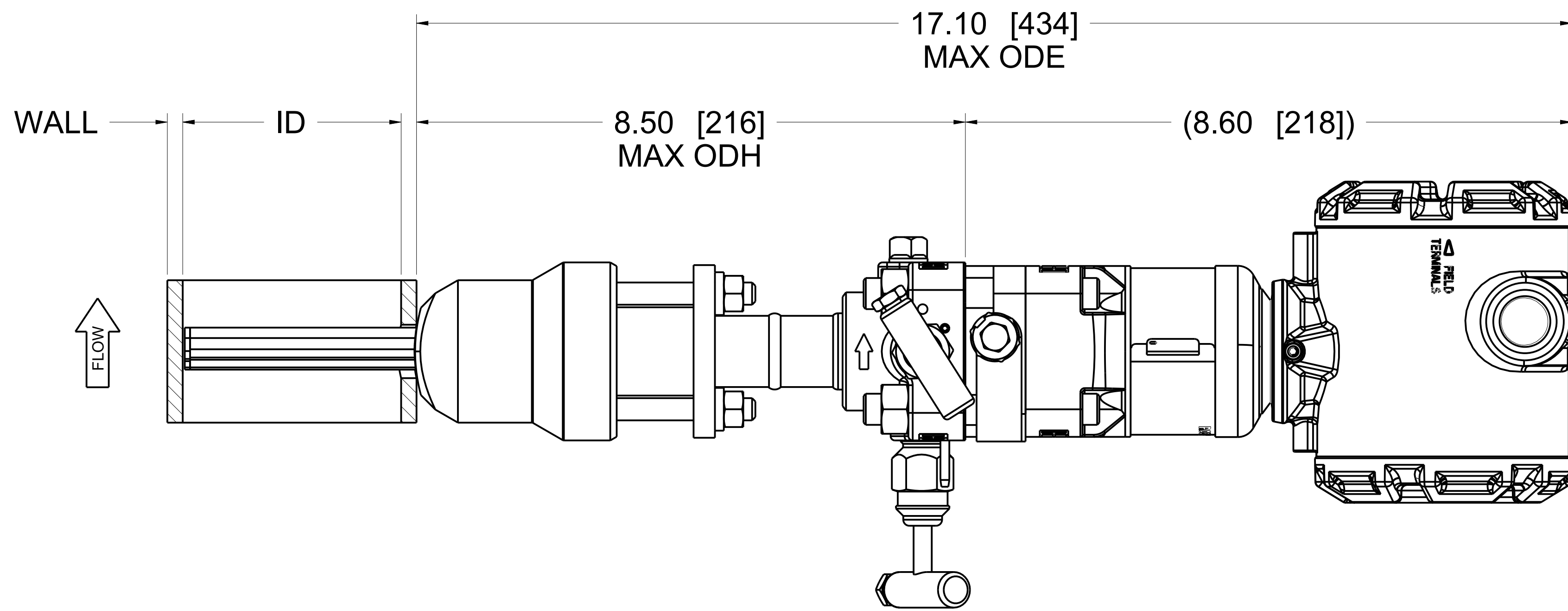


NOTES:

- ROSEMOUNT INC. CERTIFIES THIS DRAWING IS IN ACCORDANCE WITH ROSEMOUNT ENGINEERING SPECIFICATIONS AND ACCURATELY REPRESENTS THE EQUIPMENT FURNISHED.
- SENSOR ORIENTATION SHOWN FOR DETAIL ONLY. FOR ACTUAL RECOMMENDED LOCATION AND ORIENTATION REFER TO INSTALLATION INSTRUCTION MANUAL 00809-0100-4809, QUICK INSTALLATION GUIDE (QIG) 00810-0300-4809 AND SHEETS 17 & 18 OF THIS DOCUMENT.
- 3.** FIELD WELD. REFER TO INSTALLATION INSTRUCTIONS FOR WELD REQUIREMENTS.
- MAXIMUM PRESSURE: 600 ANSI EQUIVALENT (1440 PSIG AT 100°F) FOR 316SS;  
MAX TEMPERATURE: 500°F FOR INTEGRAL TRANSMITTER MOUNTING  
850°F FOR STAINLESS STEEL REMOTE MOUNTING OF TRANSMITTER  
1250°F FOR HASTELLOY REMOTE MOUNTING OF TRANSMITTER
- FOR MODEL SELECTIONS, REFER TO ROSEMOUNT PRODUCT DATA SHEET 00813-0100-4809.
- FOR REMOTE MOUNT INSTRUMENT CONNECTIONS, ORIENTATION OF INSTRUMENT CONNECTION ASSEMBLY IS FOR REFERENCE ONLY, UNLESS OTHERWISE NOTED. FOR COMPLETE INSTRUCTIONS, REFER TO INSTALLATION INSTRUCTION MANUAL 00809-0100-4809, QUICK INSTALLATION GUIDE (QIG) 00810-0300-4809.
- FOR REMOTE MOUNT INTEGRAL ORIENTATION, ASSEMBLY IS THE SAME ON HORIZONTAL OR VERTICAL LINE.

Electronic Master - Printed Copies Uncontrolled - Rosemount Proprietary

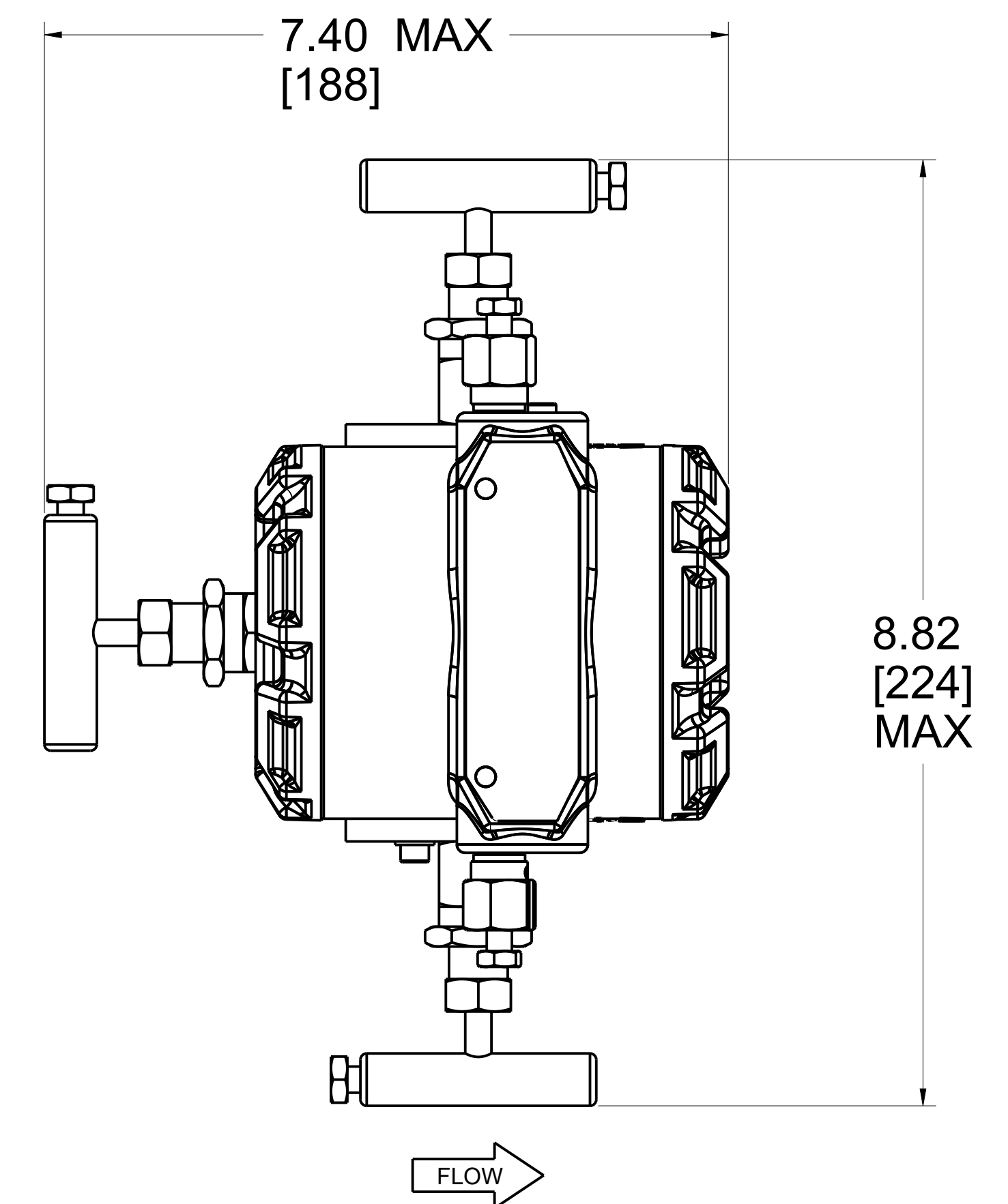
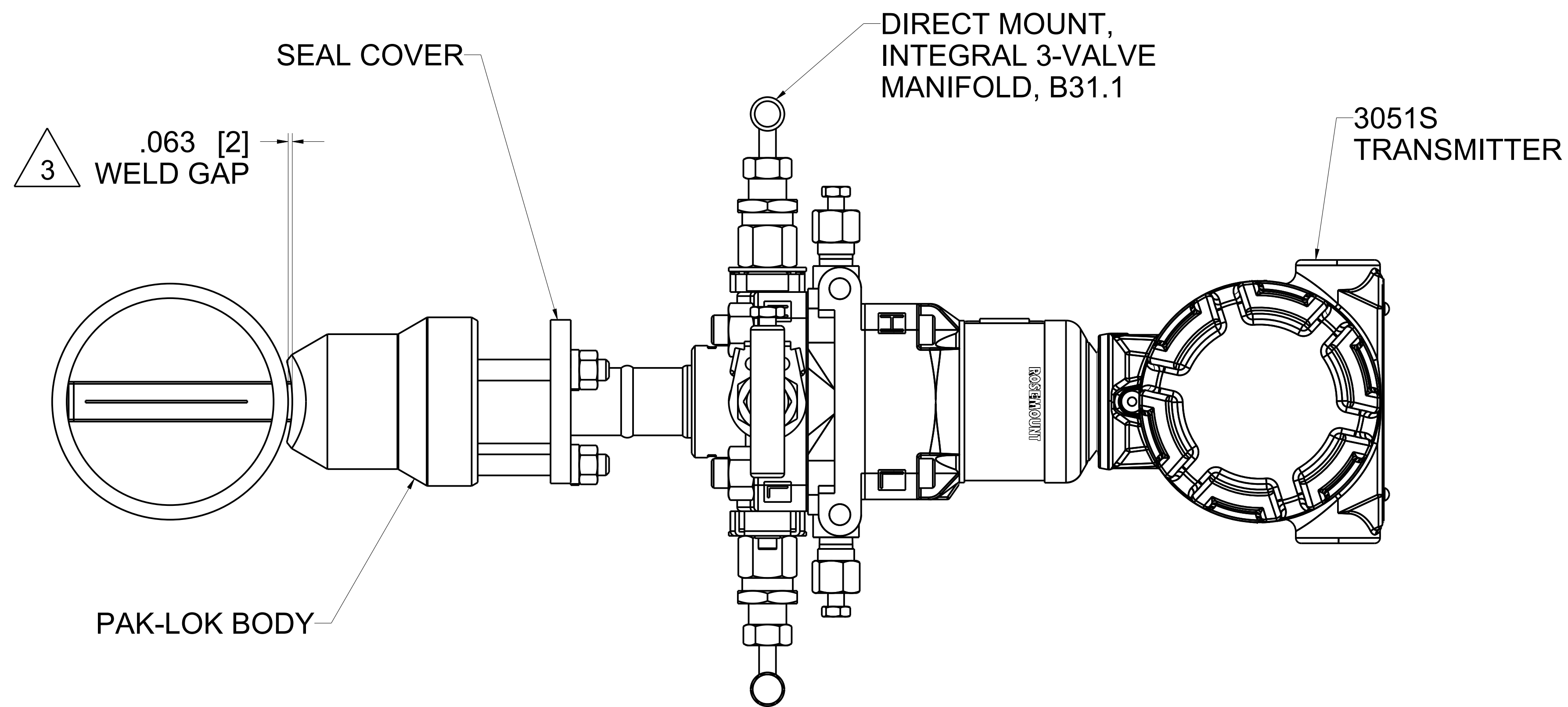
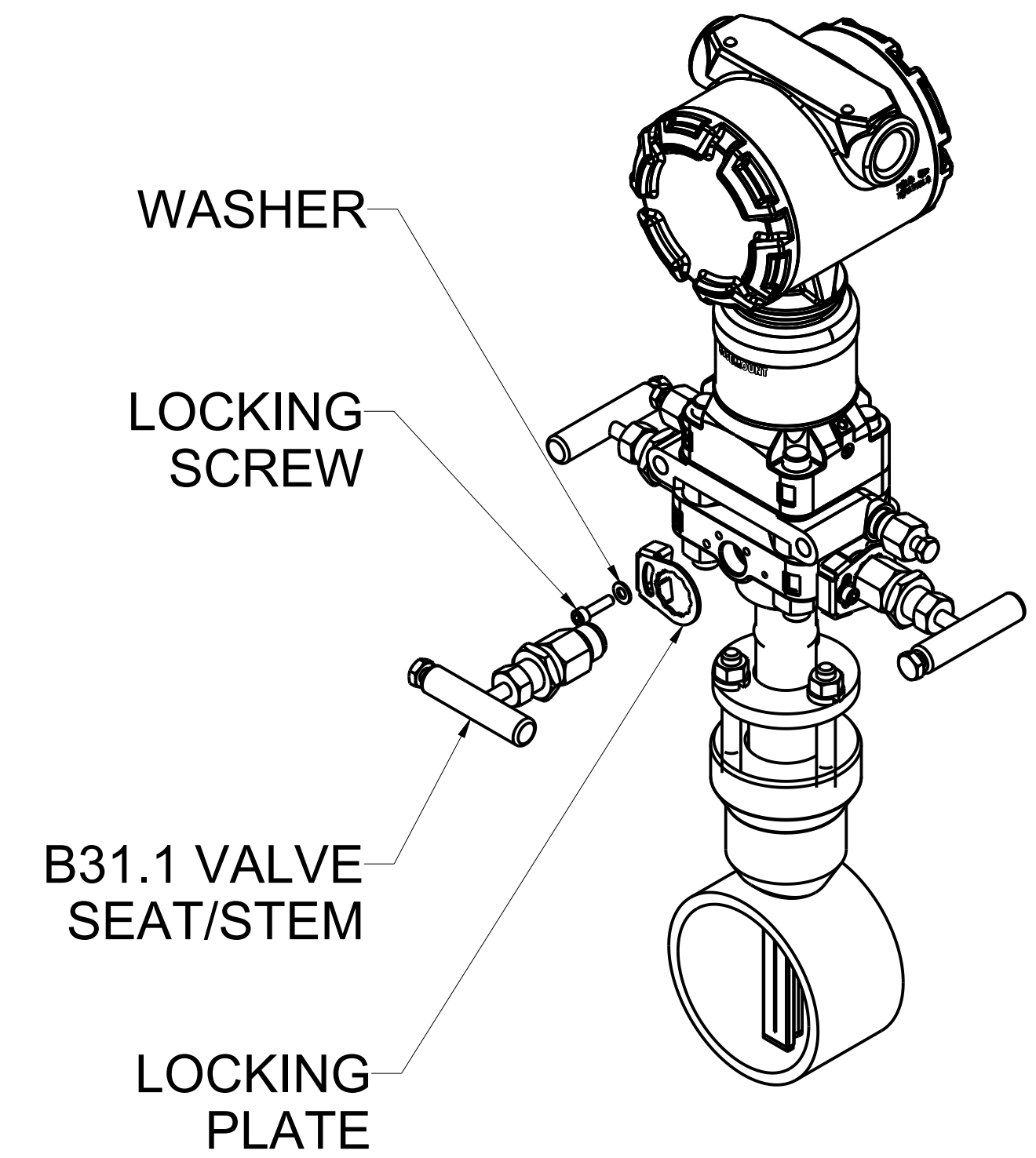
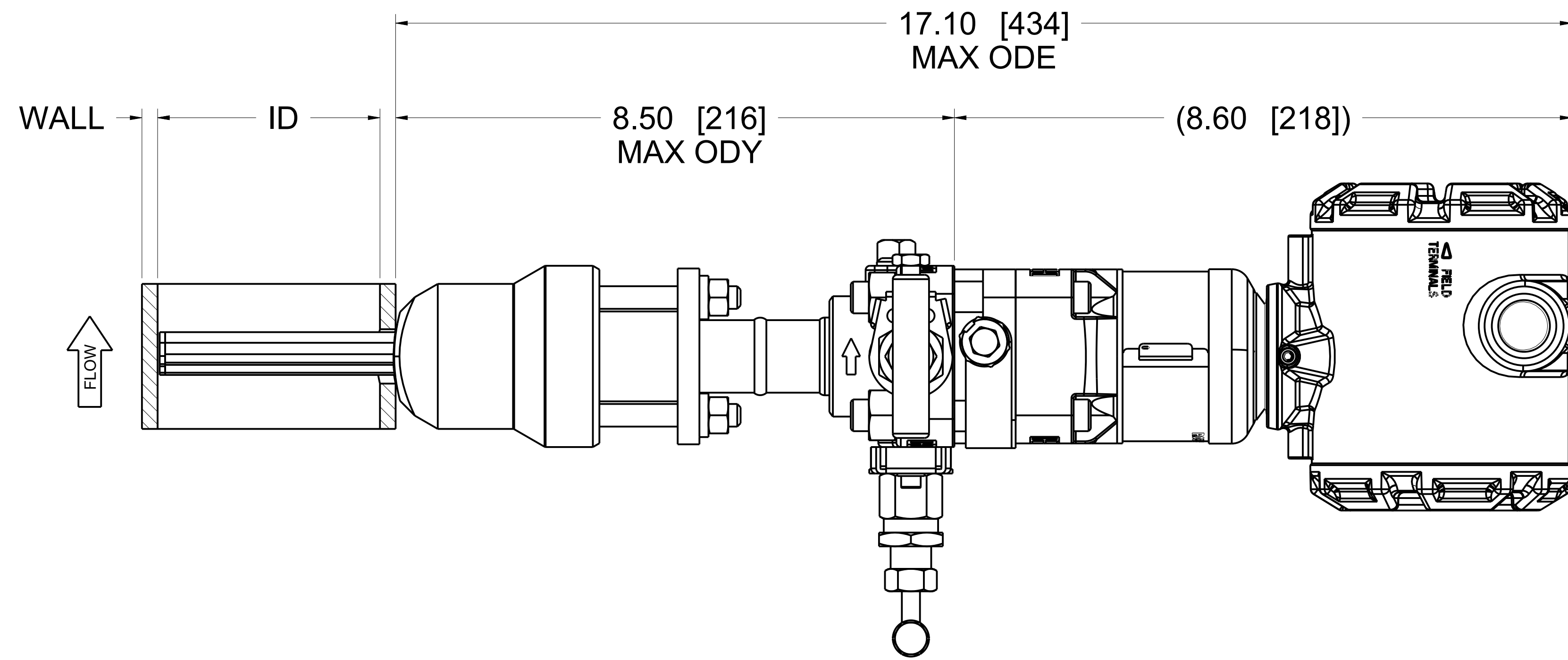
<small>©2015 ROSEMOUNT INC. ROSEMOUNT INC. CERTIFIES THIS DRAWING IS IN ACCORDANCE WITH ROSEMOUNT ENGINEERING SPECIFICATIONS. UNIT NOTES IN INCHES (mm). REFERENCE ROSEMOUNT PRODUCT SPECIFICATIONS. CLICK HERE</small>			<small>3RD ANGLE</small> 	<small>SIZE</small> D	<small>SCALE</small> NTS
	<small>TITLE</small> ROSEMOUNT DIMENSIONAL DRAWING FOR MODEL 3051SFA PAK-LOK MOUNTING TYPE SENSOR SIZE 1				
	<small>DR.</small> W.KAI	<small>06/05/15</small>	<small>DRAWING NO.</small>	00485-1005	
	<small>APP'D</small> JR	<small>07/31/15</small>	<small>CAD MAINTAINED, (PROE)</small>		
				SHEET 1 OF 15	



ELECTRONICS CONNECTION PLATFORM  
DIRECT MOUNT,  
INTEGRAL 3-VALVE MANIFOLD

©2015 ROSEMOUNT INC. ROSEMOUNT INC. CERTIFIES THIS DRAWING TO THE REQUIREMENTS OF THE STANDARD IN CONFORMANCE WITH ROSEMOUNT ENGINEERING SPECIFICATIONS. UNIT NOTES IN INCHES (mm). REFERENCE ROSEMOUNT PRODUCT SPECIFICATIONS. CLICK HERE	3RD ANGLE		SIZE D	SCALE NTS
	TITLE: ROSEMOUNT DIMENSIONAL DRAWING FOR MODEL 3051SFA PAK-LOK MOUNTING TYPE SENSOR SIZE 1			
	DR. W.KAI 06/05/15	DRAWING NO.	00485-1005	
APPD. JR 07/31/15	CAD MAINTAINED, (PROE)			SHEET 2 OF 15

Electronic Master - Printed Copies Uncontrolled - Rosemount Proprietary

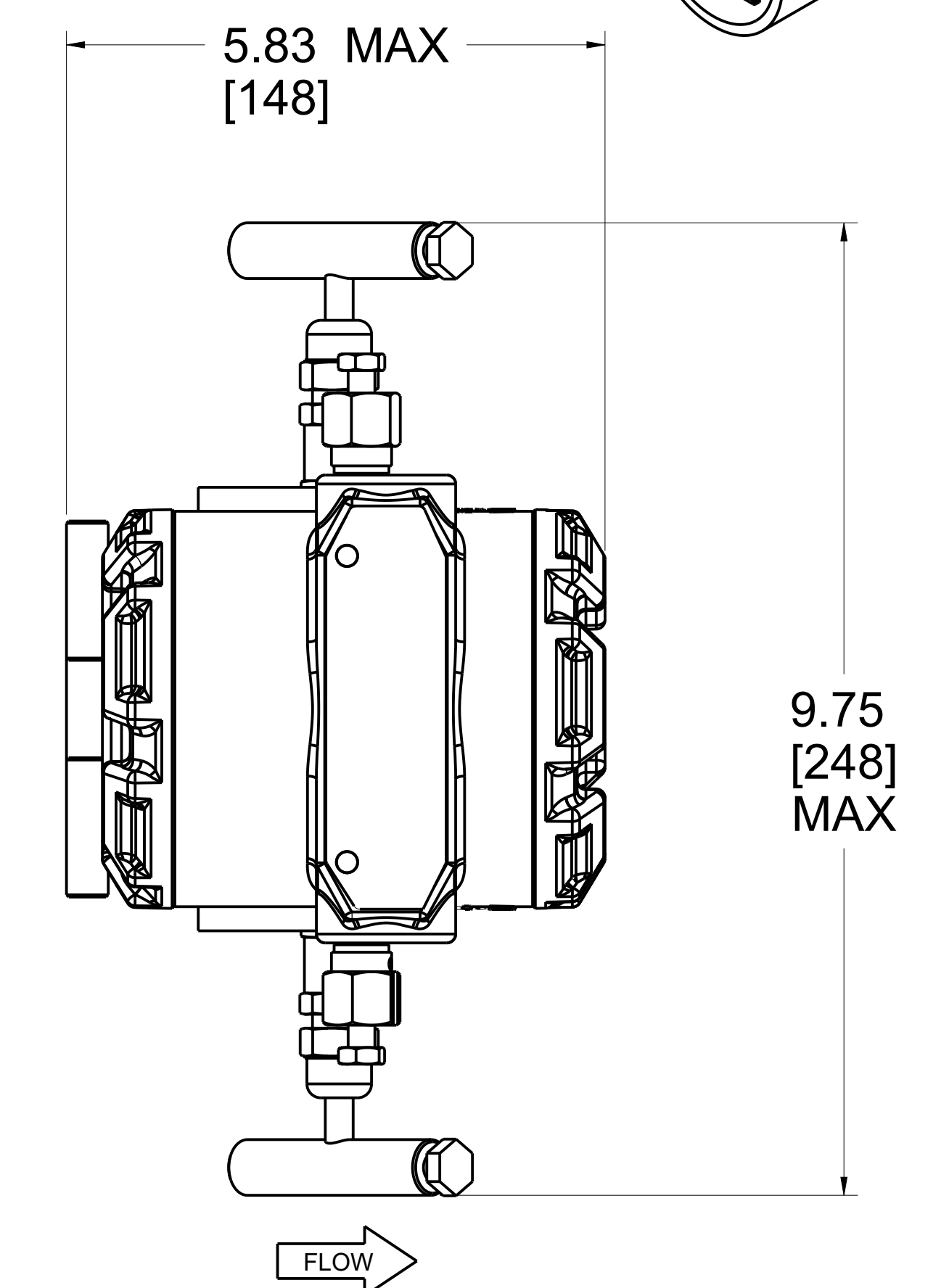
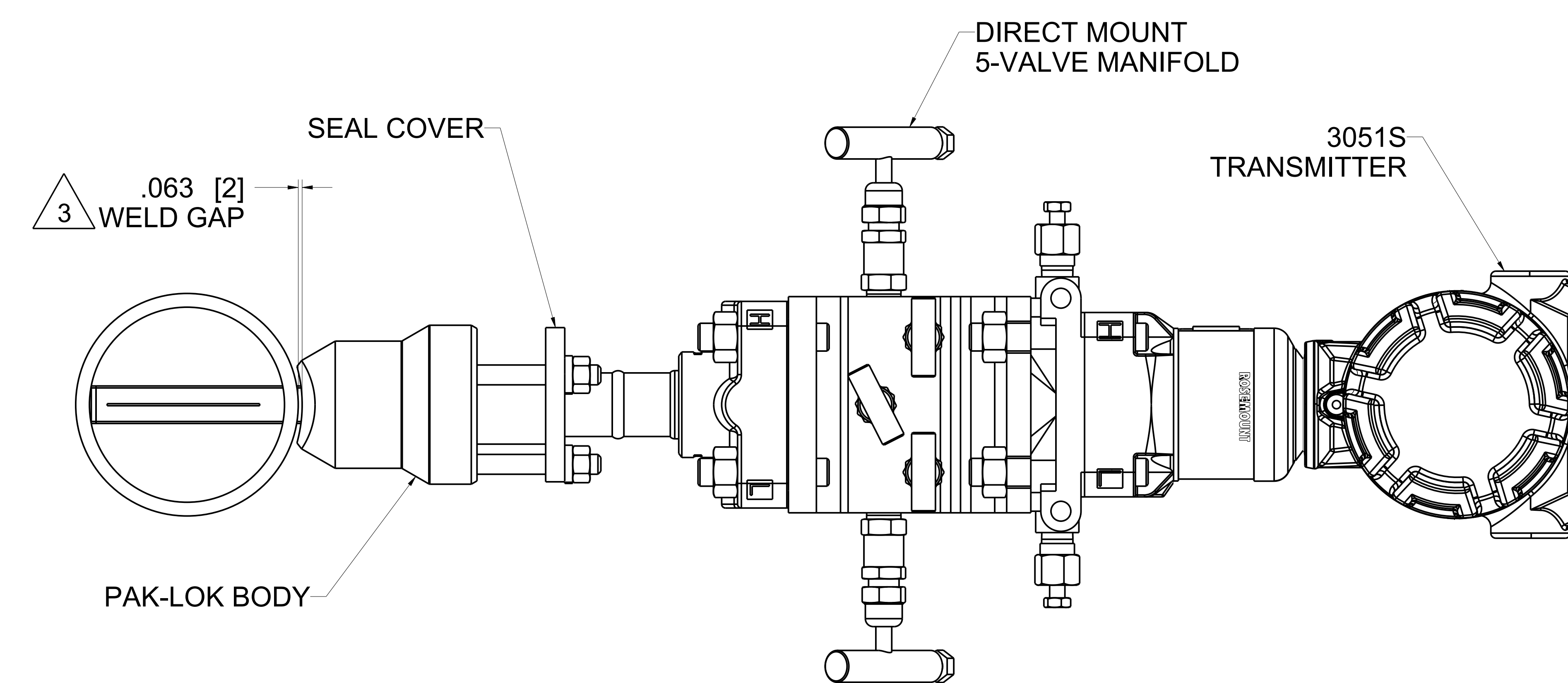
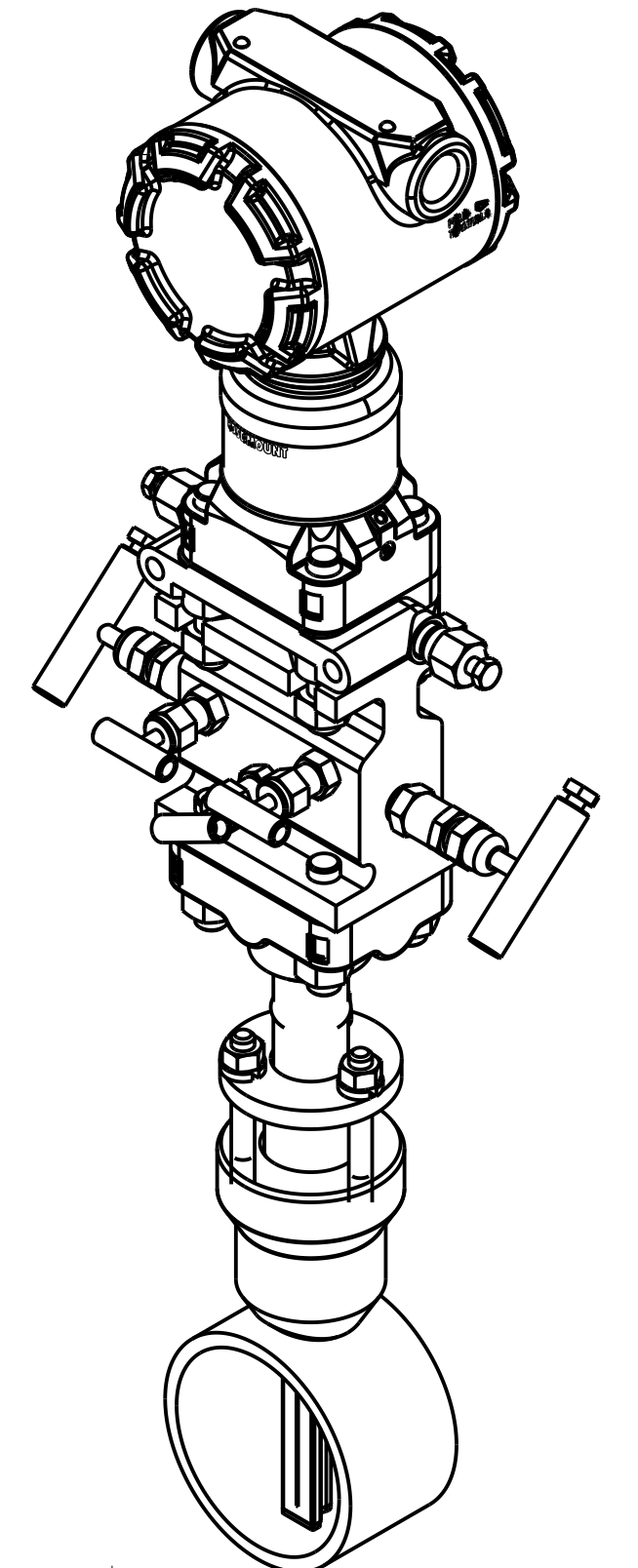
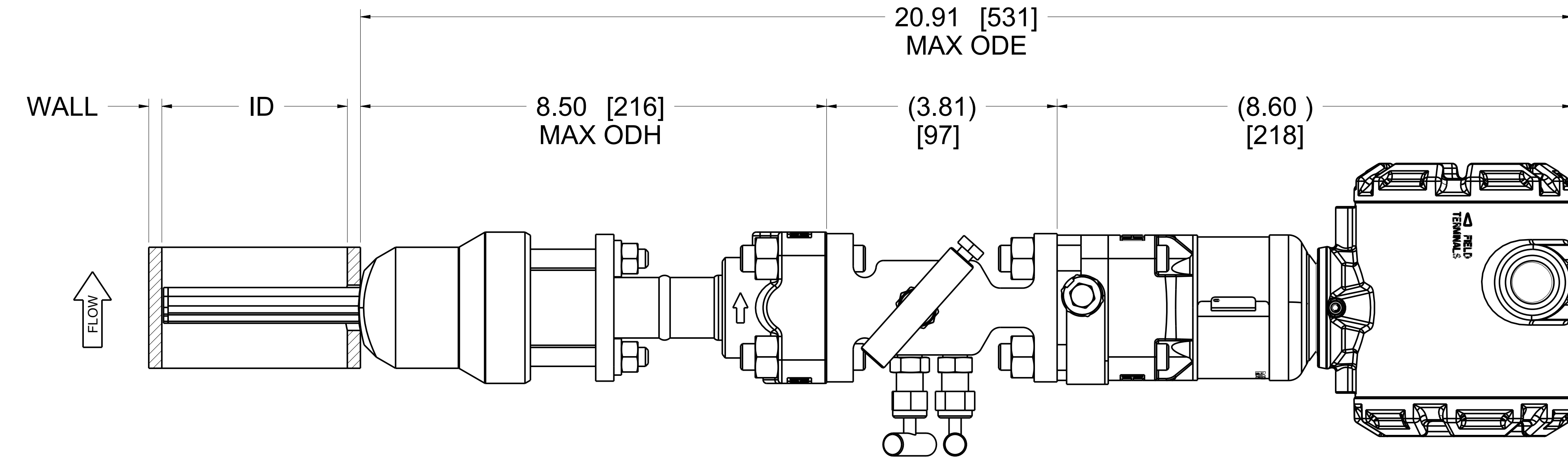


ELECTRONICS CONNECTION PLATFORM  
DIRECT MOUNT, INTEGRAL 3-VALVE  
MANIFOLD, B31.1

©2015 ROSEMOUNT INC. ROSEMOUNT INC. CERTIFIES THIS DRAWING TO BE IN ACCORDANCE WITH THE ROSEMOUNT ENGINEERING SPECIFICATIONS. UNIT NOTES IN INCHES (mm). REFERENCE ROSEMOUNT PRODUCT SPECIFICATIONS. CLICK HERE	3RD ANGLE	SIZE D	SCALE NTS
	TITLE: ROSEMOUNT DIMENSIONAL DRAWING FOR MODEL 3051SFA PAK-LOK MOUNTING TYPE SENSOR SIZE 1		
	DR: W.KAI 06/05/15 APPD: JR 07/31/15	DRAWING NO. 00485-1005	
CAD MAINTAINED, (PRO/E)		SHEET 3 OF 15	

1 2 3 4 5 6 7 8 9 10 11 12 13 14 15 16

A B C D E F G H J K L M



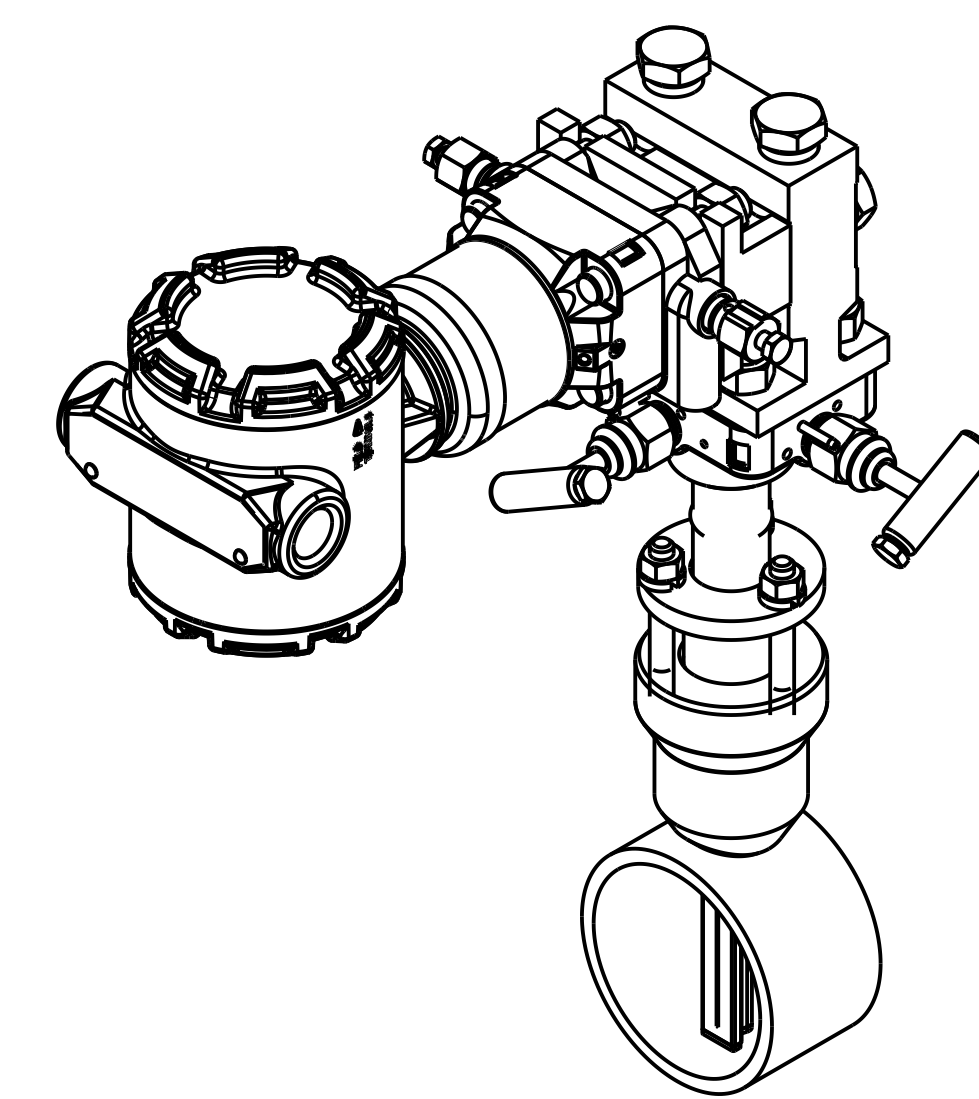
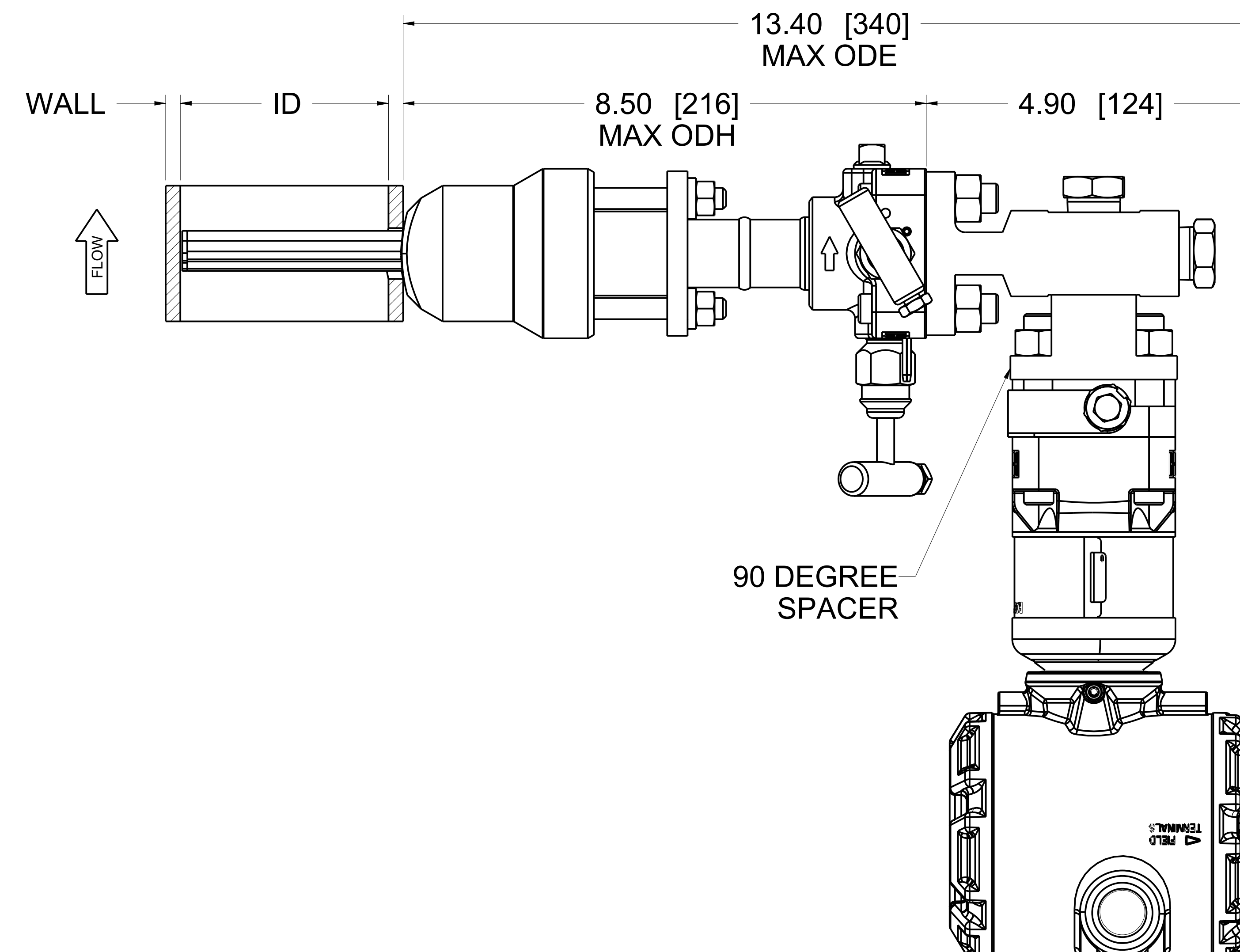
**ELECTRONICS CONNECTION PLATFORM  
DIRECT MOUNT, 5-VALVE MANIFOLD**

<small>©2015 ROSEMOUNT INC. ROSEMOUNT INC. CERTIFIES THIS DRAWING TO THE STANDARDS AND SPECIFICATIONS IN ACCORDANCE WITH ROSEMOUNT ENGINEERING SPECIFICATIONS. UNIT NOTES IN INCHES (mm). REFERENCE ROSEMOUNT PRODUCT SPECIFICATIONS. CLICK HERE</small>	<b>EMERSON</b>		3RD ANGLE	SIZE D	SCALE NTS	
	<small>TITLE: ROSEMOUNT DIMENSIONAL DRAWING FOR MODEL 3051SFA PAK-LOK MOUNTING TYPE SENSOR SIZE 1</small>					
	DR: W.KAI	06/05/15	DRAWING NO.			
	APPD: JR	07/31/15	00485-1005			
CAD MAINTAINED, (PROE)			SHEET 4 OF 15			

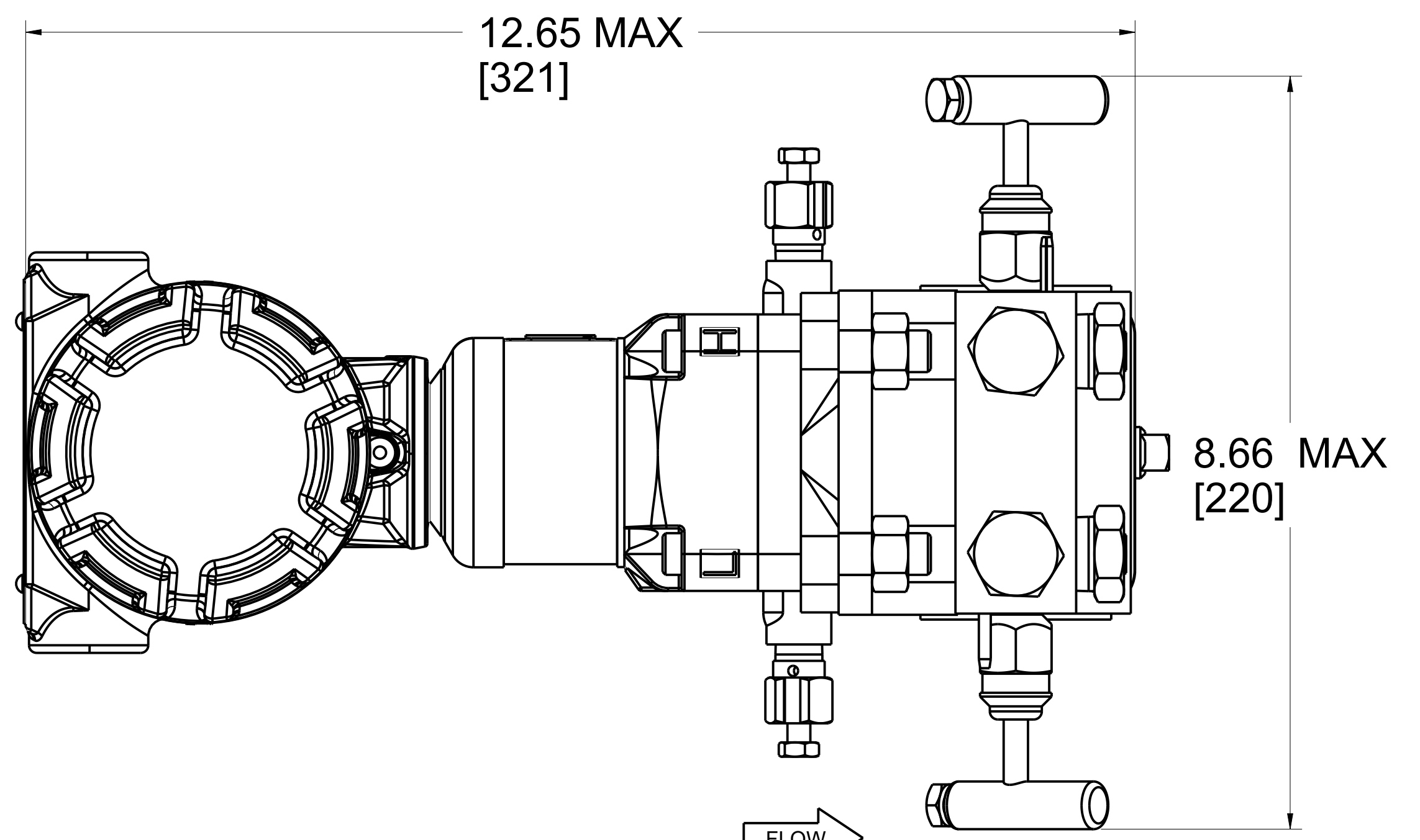
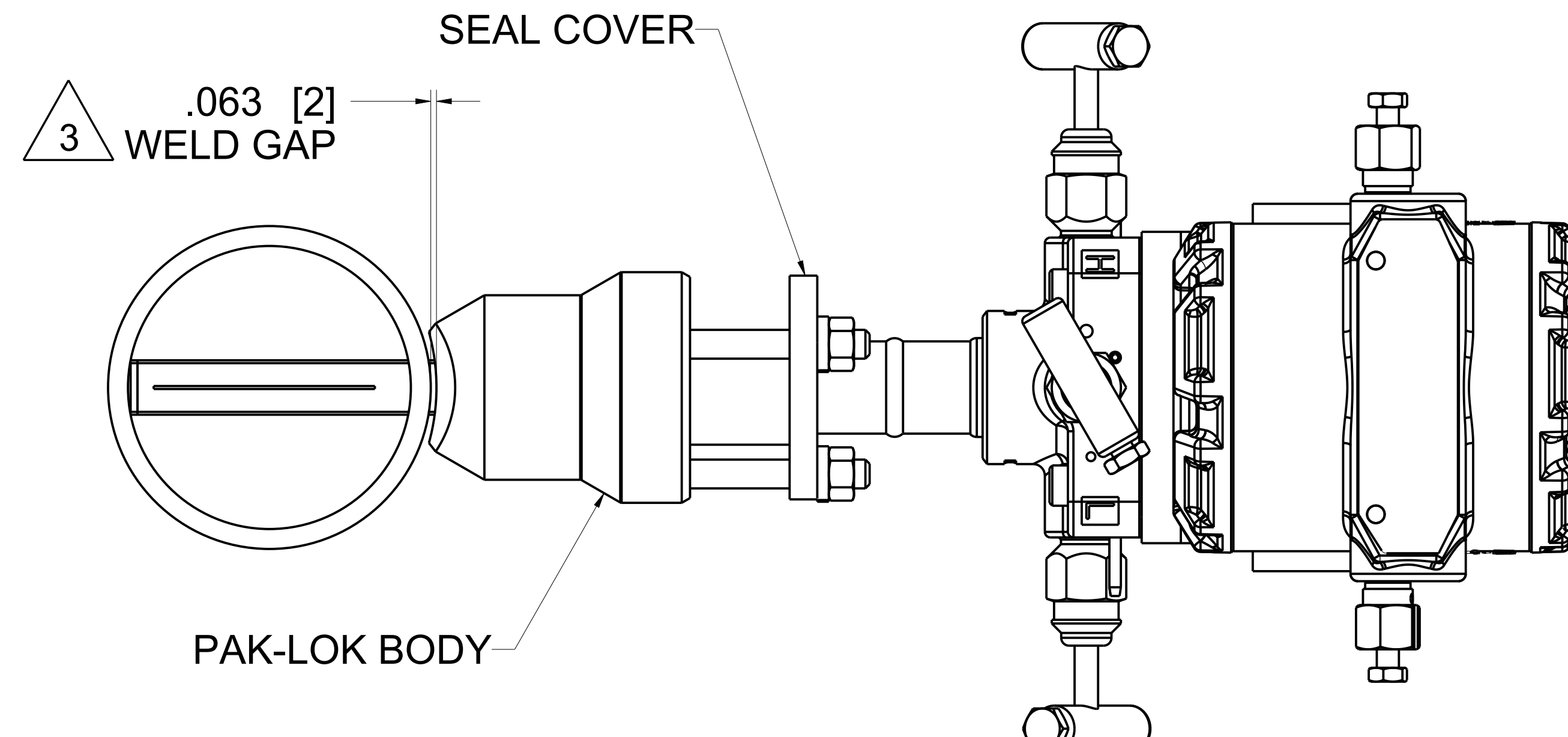
Electronic Master - Printed Copies Uncontrolled - Rosemount Proprietary

1 2 3 4 5 6 7 8 9 10 11 12 13 14 15 16

A B C D E F G H J K L M



3051S TRANSMITTER



ELECTRONICS CONNECTION PLATFORM  
DIRECT MOUNT, 90 DEGREE SPACER, VERTICAL

©2015 ROSEMOUNT INC. ROSEMOUNT INC. CERTIFIES THIS DRAWING AS BEING IN ACCORDANCE WITH ROSEMOUNT ENGINEERING SPECIFICATIONS. UNIT NOTES IN INCHES (mm). REFERENCE ROSEMOUNT PRODUCT SPECIFICATIONS. CLICK HERE

EMERSON

TITLE: ROSEMOUNT DIMENSIONAL DRAWING FOR MODEL 3051SFA PAK-LOK MOUNTING TYPE SENSOR SIZE 1

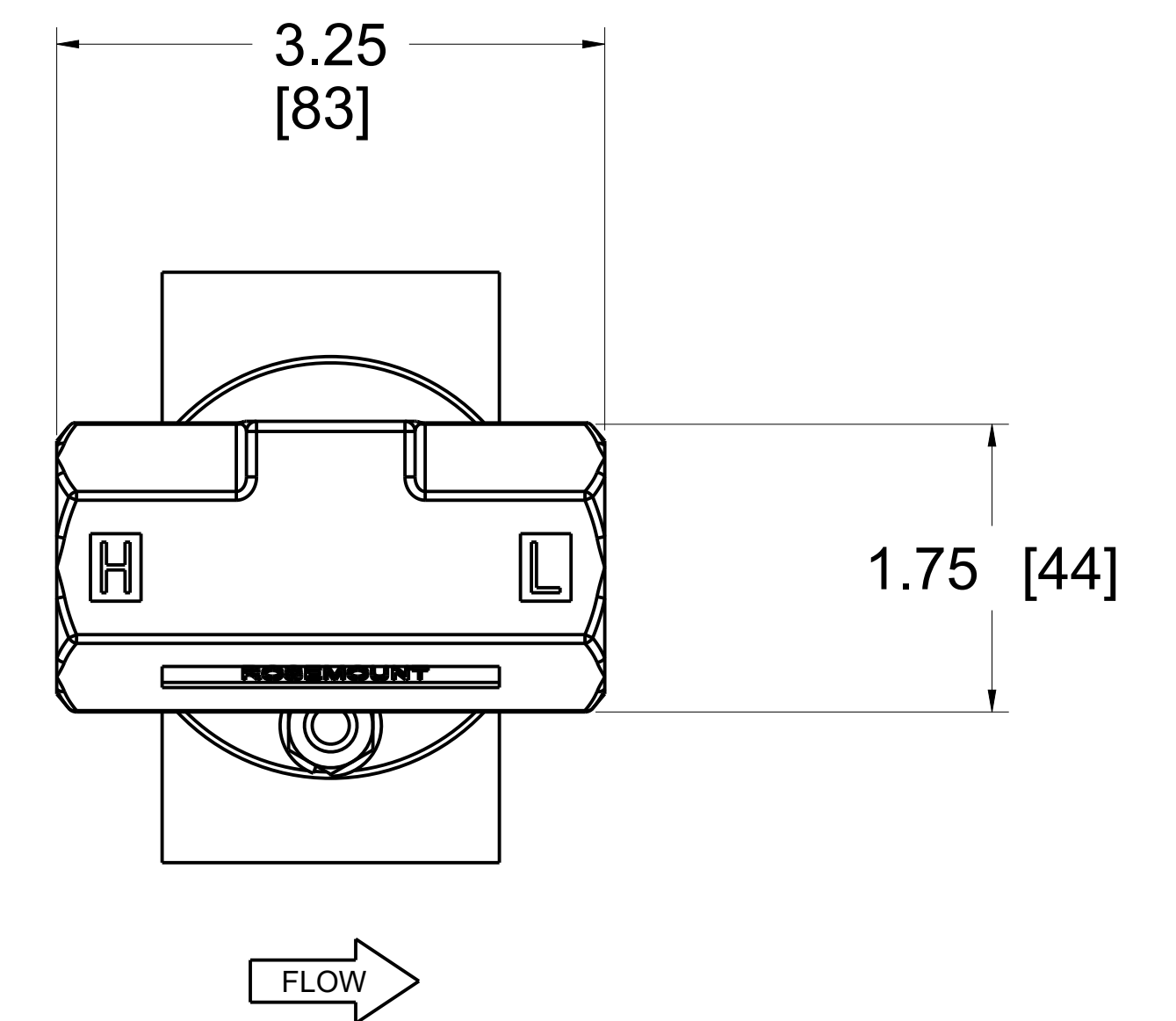
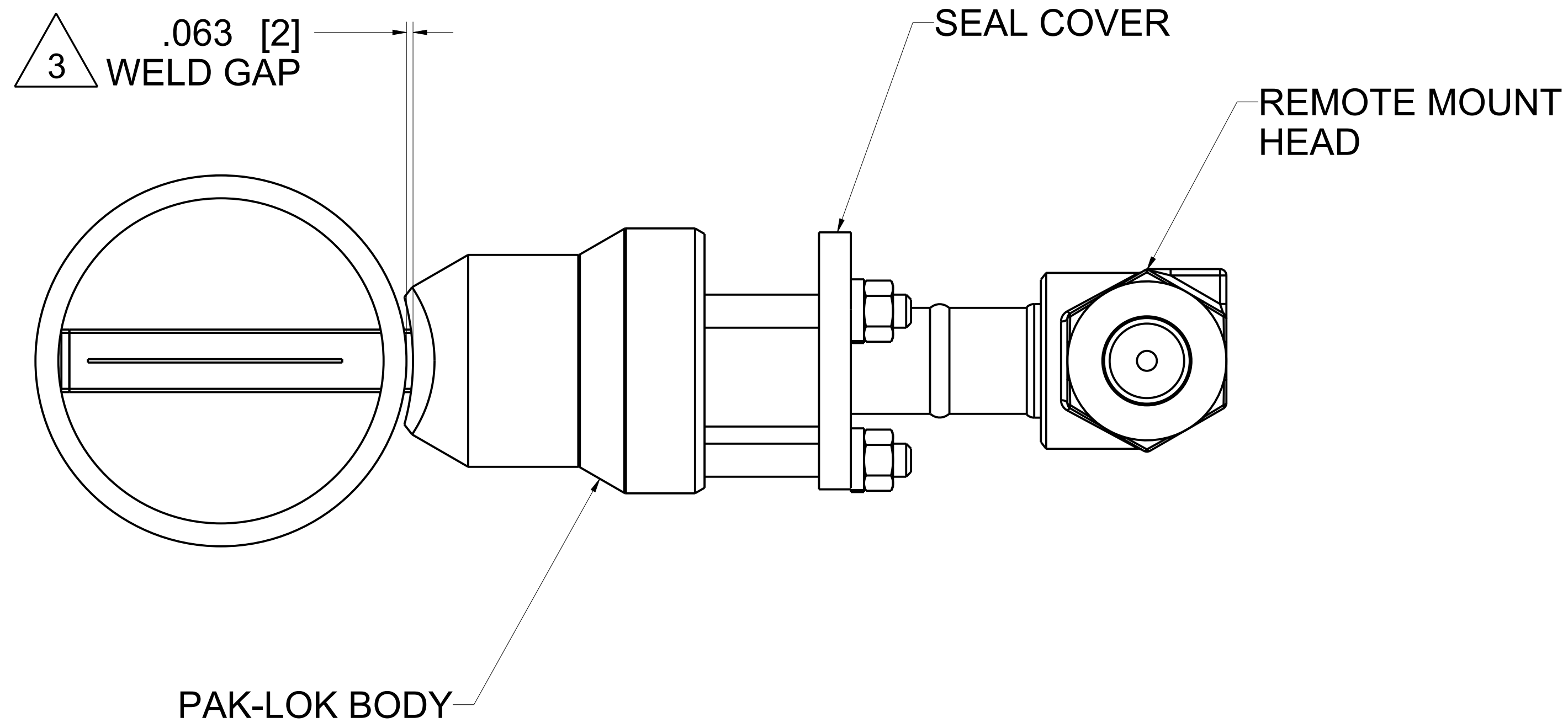
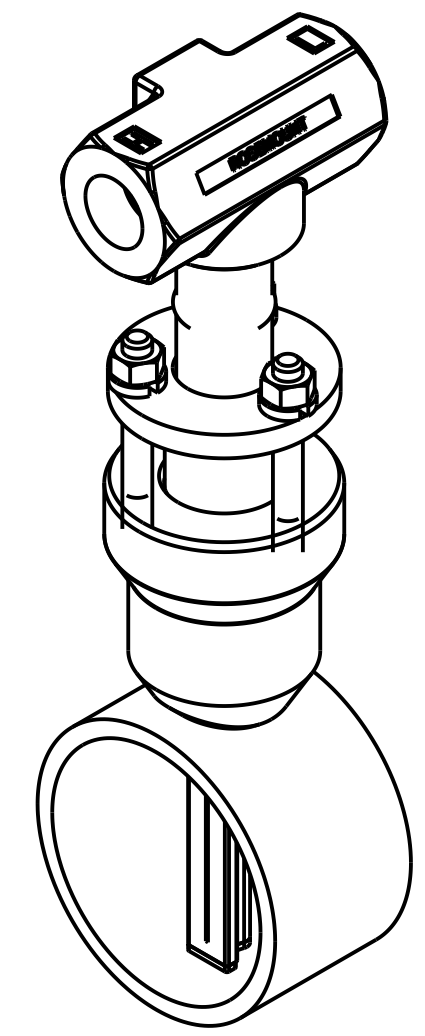
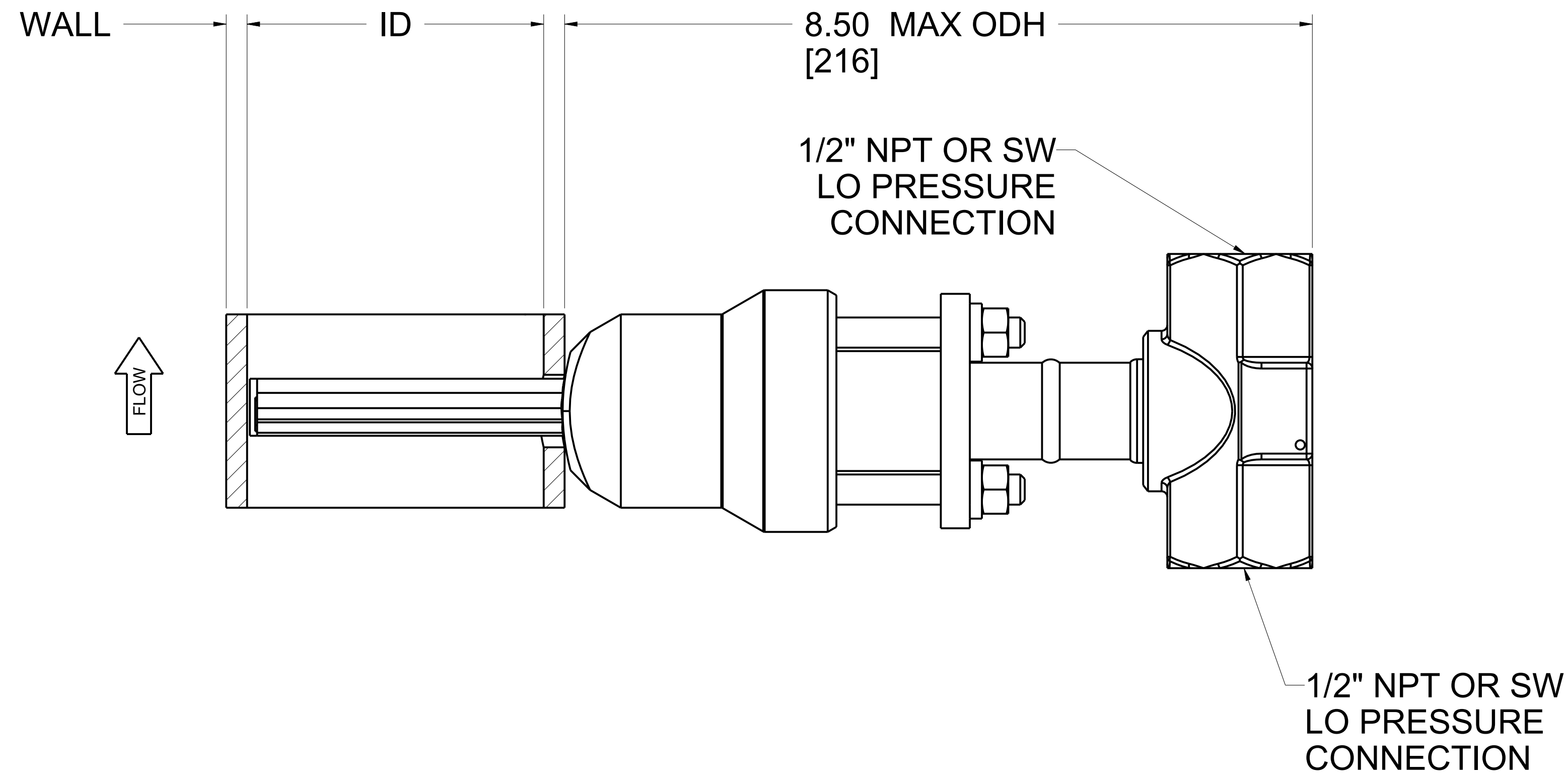
DR: W.KAI 06/05/15 DRAWING NO. 00485-1005

APPD: JR 07/31/15

CAD MAINTAINED, (PROE)

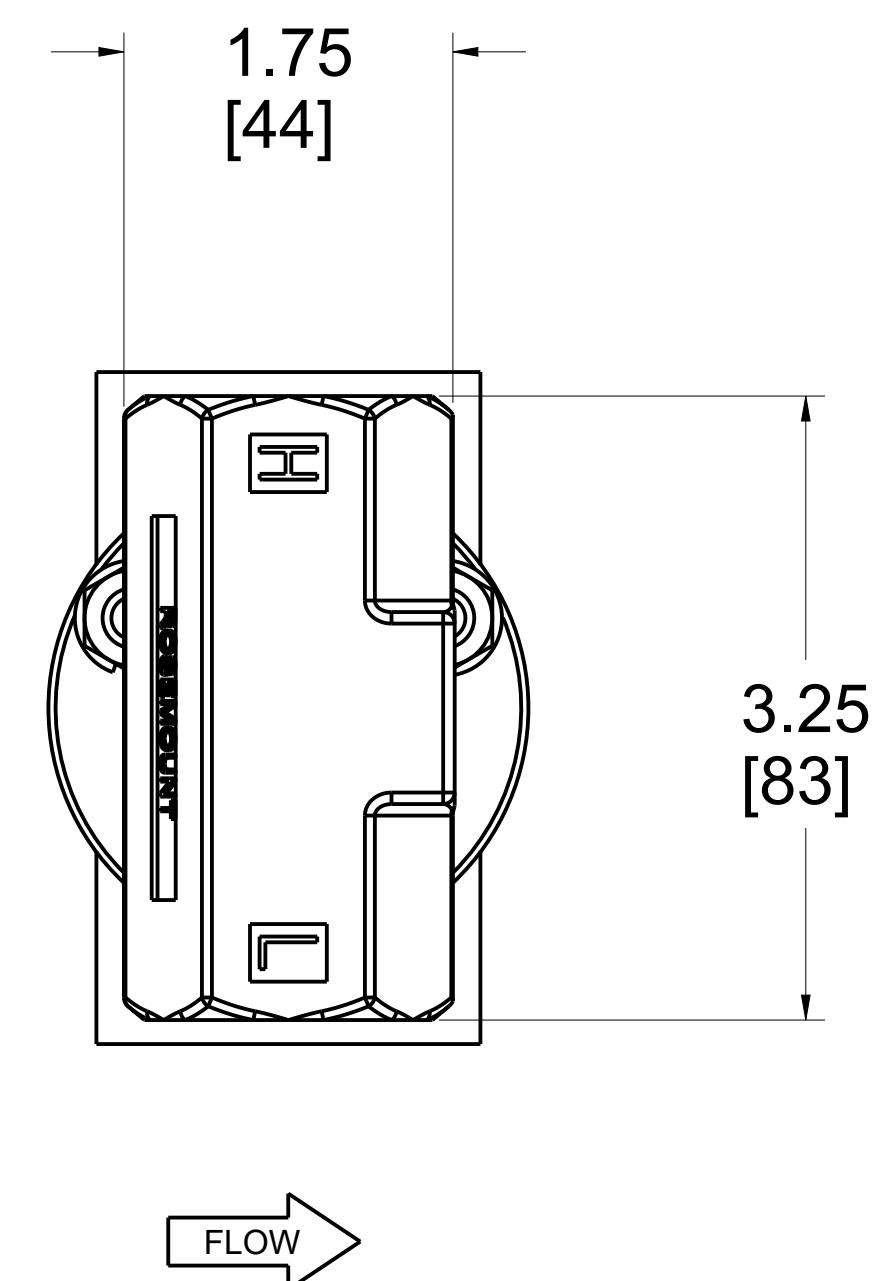
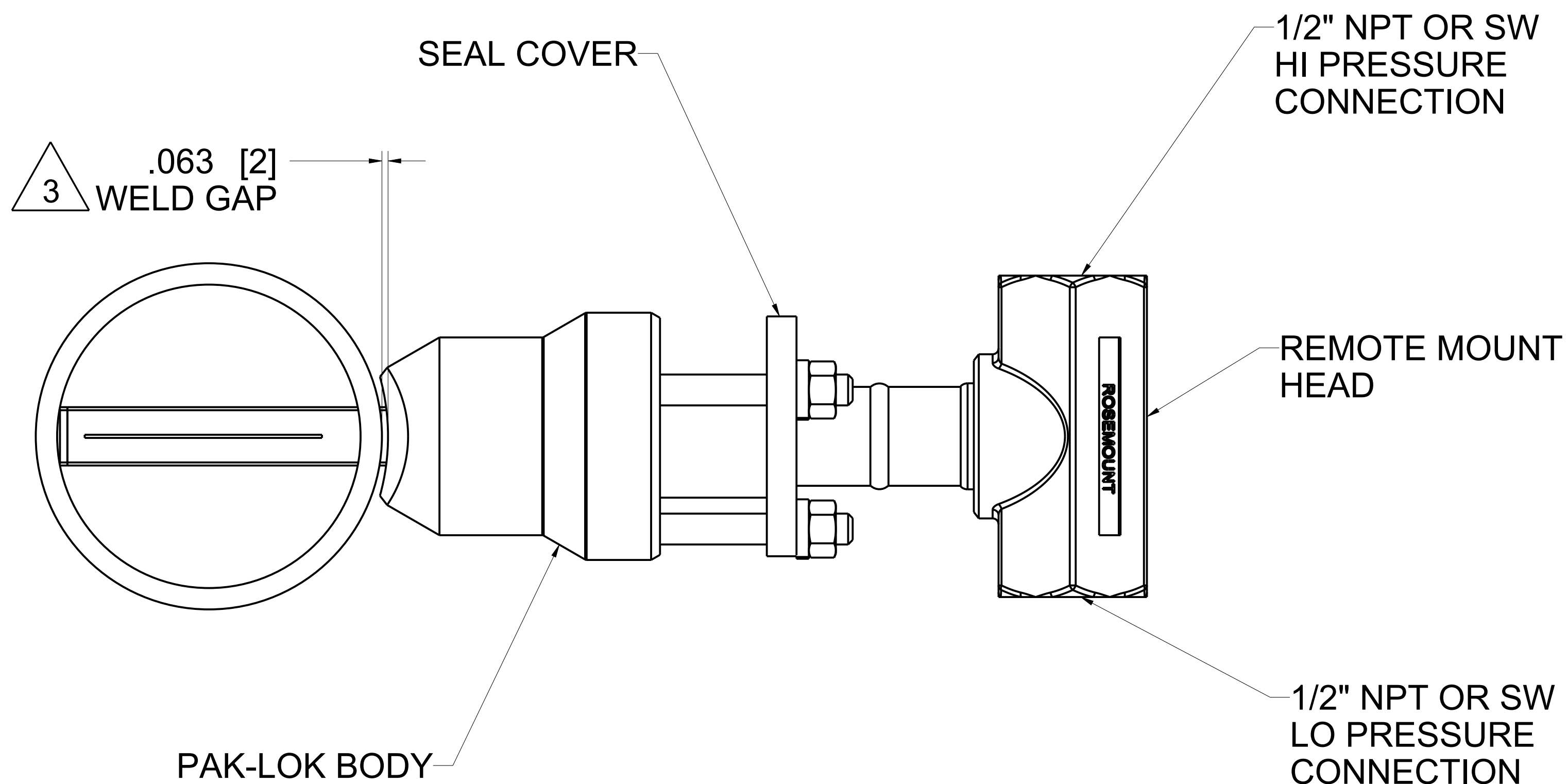
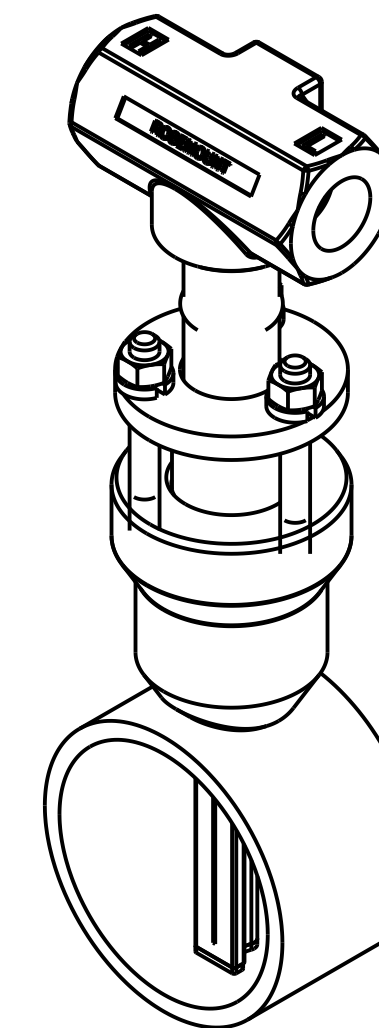
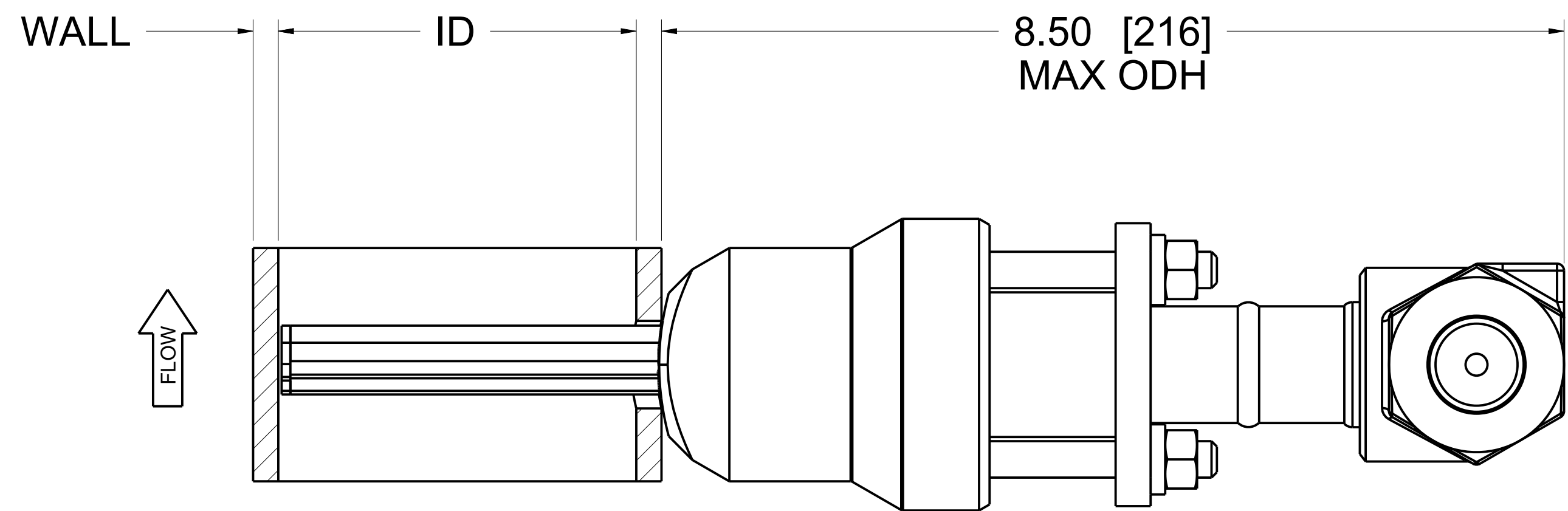
SHEET 5 OF 15

Electronic Master - Printed Copies Uncontrolled - Rosemount Proprietary



ELECTRONICS CONNECTION PLATFORM  
 REMOTE MOUNT, 1/2" CONNECTIONS,  
 HORIZONTAL

©2015 ROSEMOUNT INC. ROSEMOUNT INC. CERTIFIES THIS DRAWING TO BE IN ACCORDANCE WITH THE ROSEMOUNT ENGINEERING SPECIFICATIONS. UNIT NOTES IN INCHES (mm). REFERENCE ROSEMOUNT PRODUCT SPECIFICATIONS. CLICK HERE			3RD ANGLE	SIZE D	SCALE NTS
	TITLE: ROSEMOUNT DIMENSIONAL DRAWING FOR MODEL 3051SFA PAK-LOK MOUNTING TYPE SENSOR SIZE 1				
	DR: W.KAI   06/05/15   DRAWING NO.	00485-1005			
	APPD: JR   07/31/15	CAD MAINTAINED, (PRO/E) SHEET 6 OF 15			



ELECTRONICS CONNECTION PLATFORM  
REMOTE MOUNT, 1/2" CONNECTIONS,  
VERTICAL

©2015 ROSEMOUNT INC.  
ROSEMOUNT INC. CERTIFIES  
THIS DRAWING TO BE IN  
ACCORDANCE WITH  
ROSEMOUNT ENGINEERING  
SPECIFICATIONS.  
UNIT NOTES IN INCHES (mm).

EMERSON

TITLE: ROSEMOUNT DIMENSIONAL DRAWING FOR MODEL  
3051SFA PAK-LOK MOUNTING TYPE SENSOR SIZE 1

DR: W.KAI 06/05/15 DRAWING NO. 00485-1005

APPD: JR 07/31/15

CAD MAINTAINED, (PRO/E)

SHEET 7 OF 15

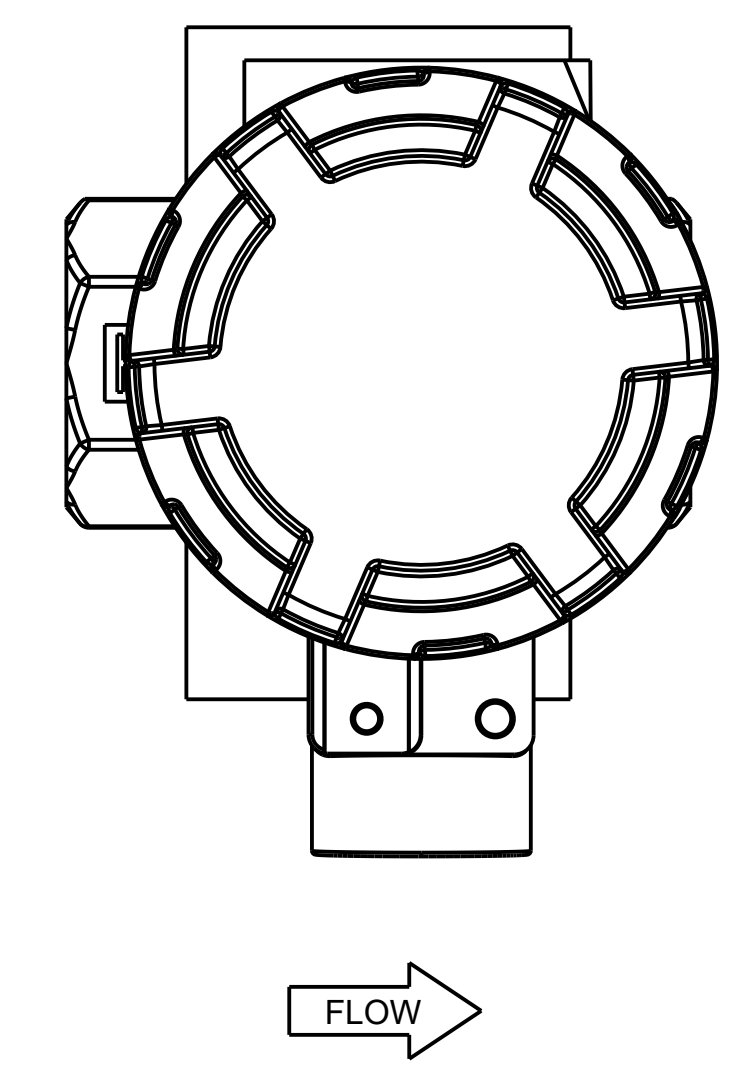
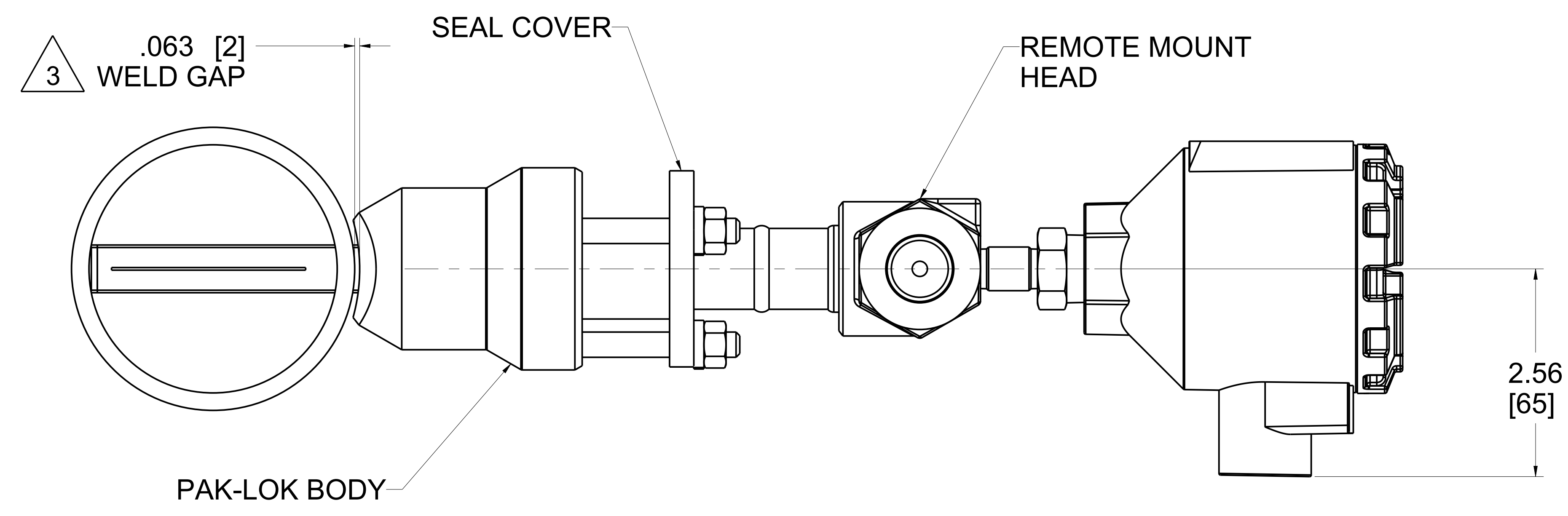
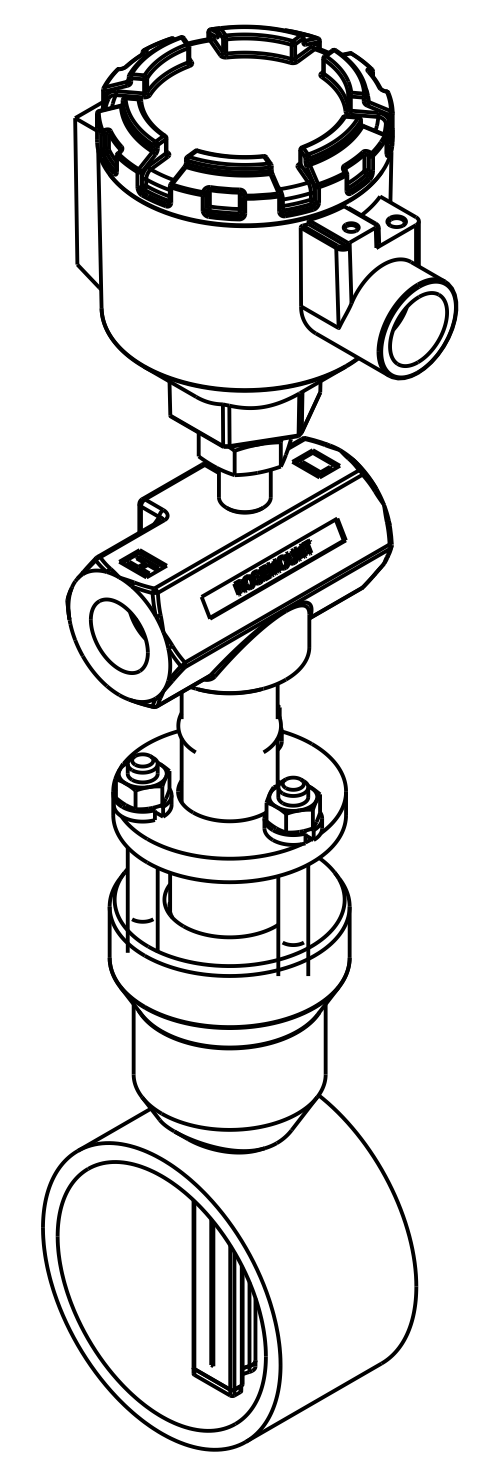
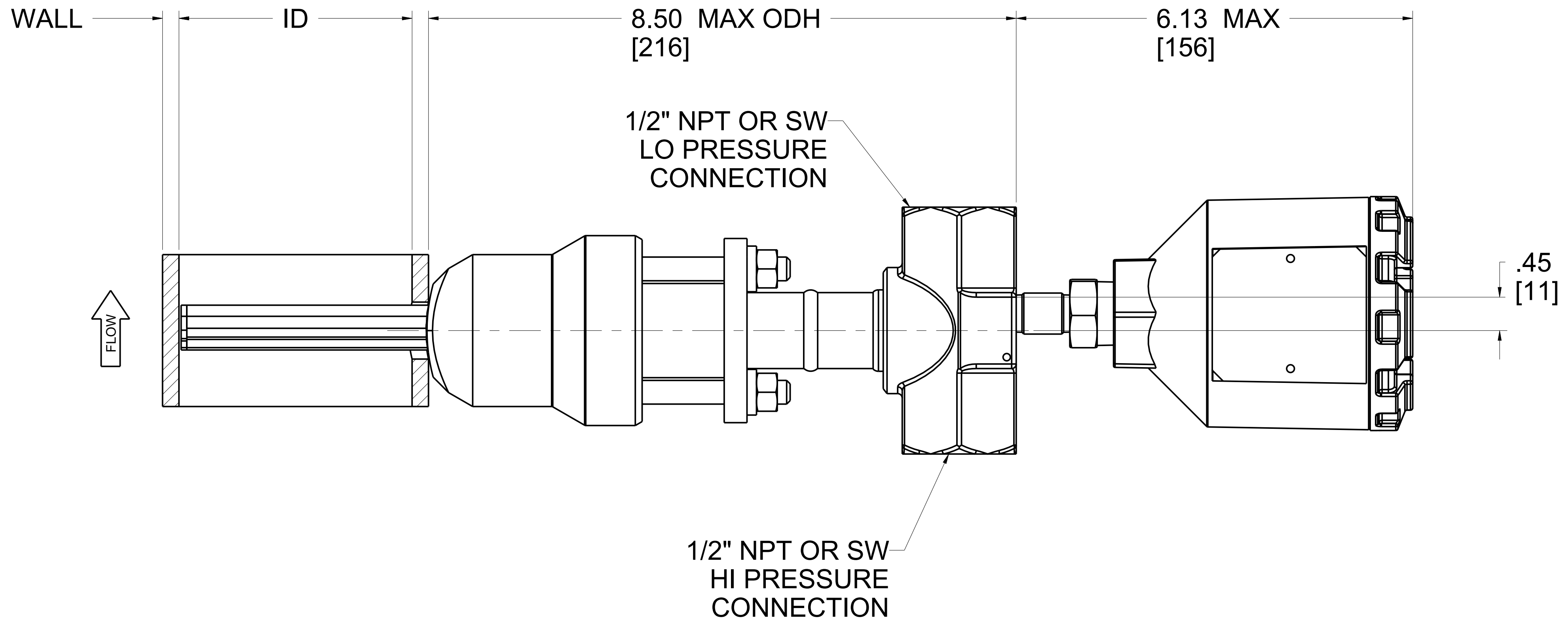
3RD ANGLE

SIZE D

SCALE NTS

CLICK HERE

REFERENCE ROSEMOUNT  
PRODUCT SPECIFICATIONS.



**ELECTRONICS CONNECTION PLATFORM  
REMOTE MOUNT, 1/2" CONNECTIONS,  
INTEGRAL RTD**

©2015 ROSEMOUNT INC.  
ROSEMOUNT INC. CERTIFIES  
THIS DIMENSIONAL DRAWING  
IN ACCORDANCE WITH  
ROSEMOUNT ENGINEERING  
SPECIFICATIONS.  
UNIT NOTES IN INCHES (mm).

EMERSON

TITLE: ROSEMOUNT DIMENSIONAL DRAWING FOR MODEL  
3051SFA PAK-LOK MOUNTING TYPE SENSOR SIZE 1

DR: W.KAI 06/05/15 DRAWING NO. 00485-1005

APPD: JR 07/31/15

CAD MAINTAINED, (PRO/E) SHEET 8 OF 15

3RD ANGLE

SIZE D

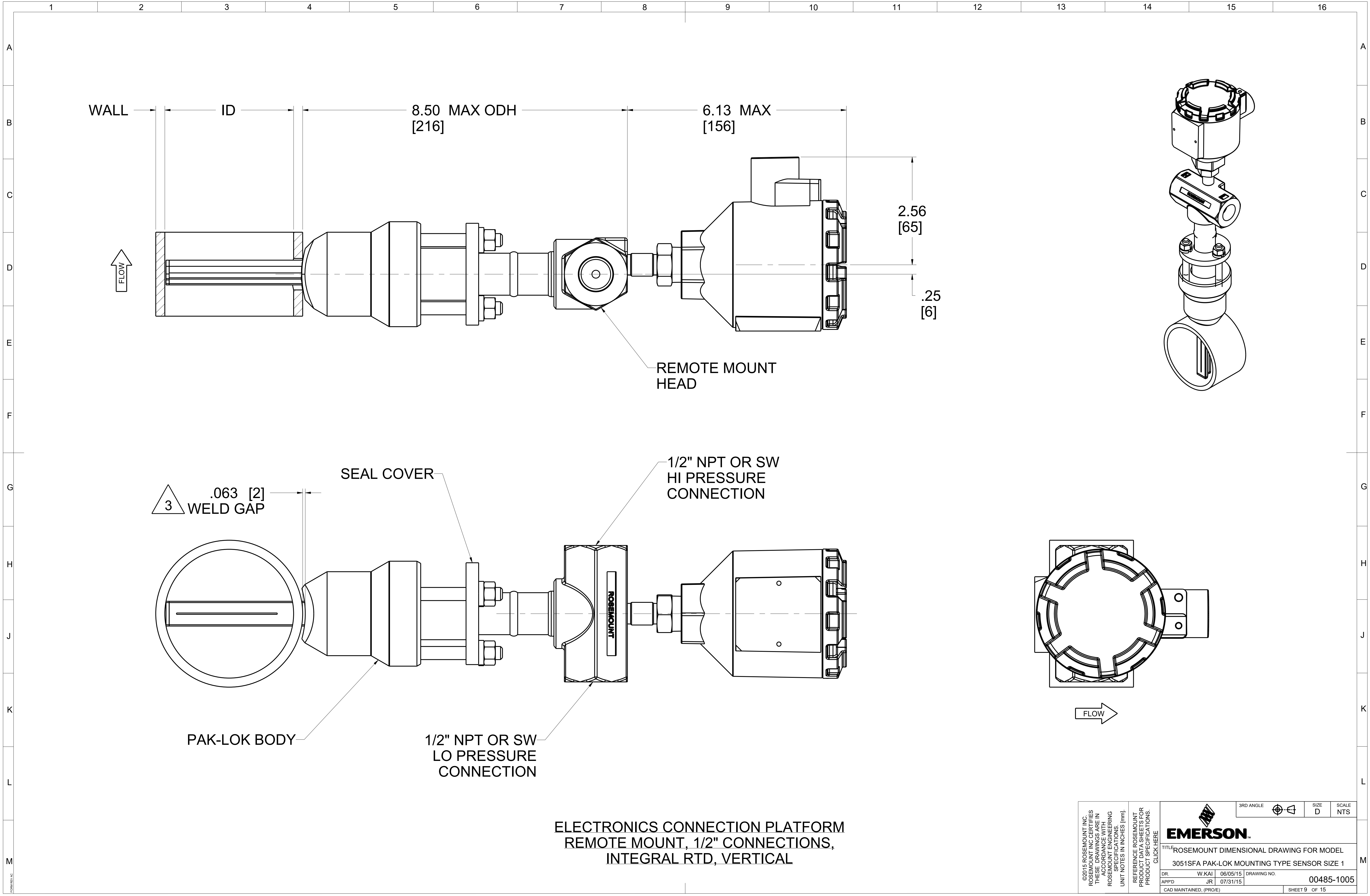
SCALE NTS

CLICK HERE

REFERENCE ROSEMOUNT  
PRODUCT SPECIFICATIONS.

Electronic Master - Printed Copies Uncontrolled - Rosemount Proprietary





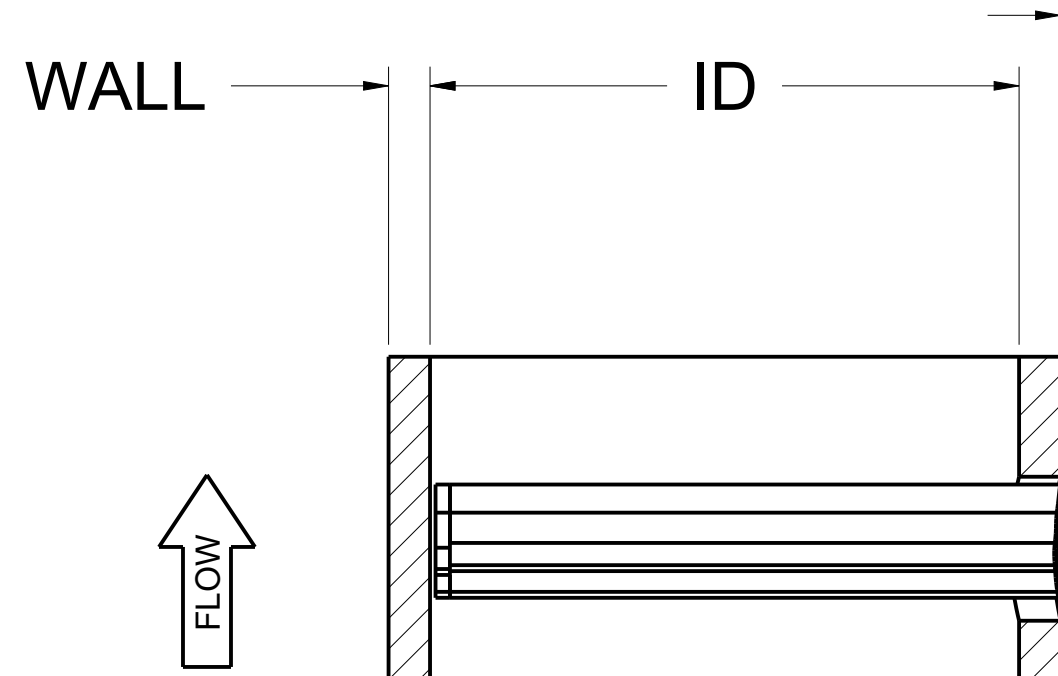
**ELECTRONICS CONNECTION PLATFORM  
REMOTE MOUNT, 1/2" CONNECTIONS,  
INTEGRAL RTD, VERTICAL**

<small>©2015 ROSEMOUNT INC. ROSEMOUNT INC. CERTIFIES THIS DRAWING TO BE IN ACCORDANCE WITH THE ROSEMOUNT ENGINEERING SPECIFICATIONS. UNIT NOTES IN INCHES (mm). REFERENCE ROSEMOUNT PRODUCT SPECIFICATIONS. CLICK HERE</small>	<small>3RD ANGLE</small> 		<small>SIZE</small> D	<small>SCALE</small> NTS
	<small>TITLE</small> ROSEMOUNT DIMENSIONAL DRAWING FOR MODEL 3051SFA PAK-LOK MOUNTING TYPE SENSOR SIZE 1			
	<small>DR.</small> W.KAI	<small>06/05/15</small>	<small>DRAWING NO.</small>	<b>00485-1005</b>
<small>APPD</small> JR	<small>07/31/15</small>			
<small>CAD MAINTAINED, (PRO/E)</small>			<small>SHEET 9 OF 15</small>	

Electronic Master - Printed Copies Uncontrolled - Rosemount Proprietary

1 2 3 4 5 6 7 8 9 10 11 12 13 14 15 16

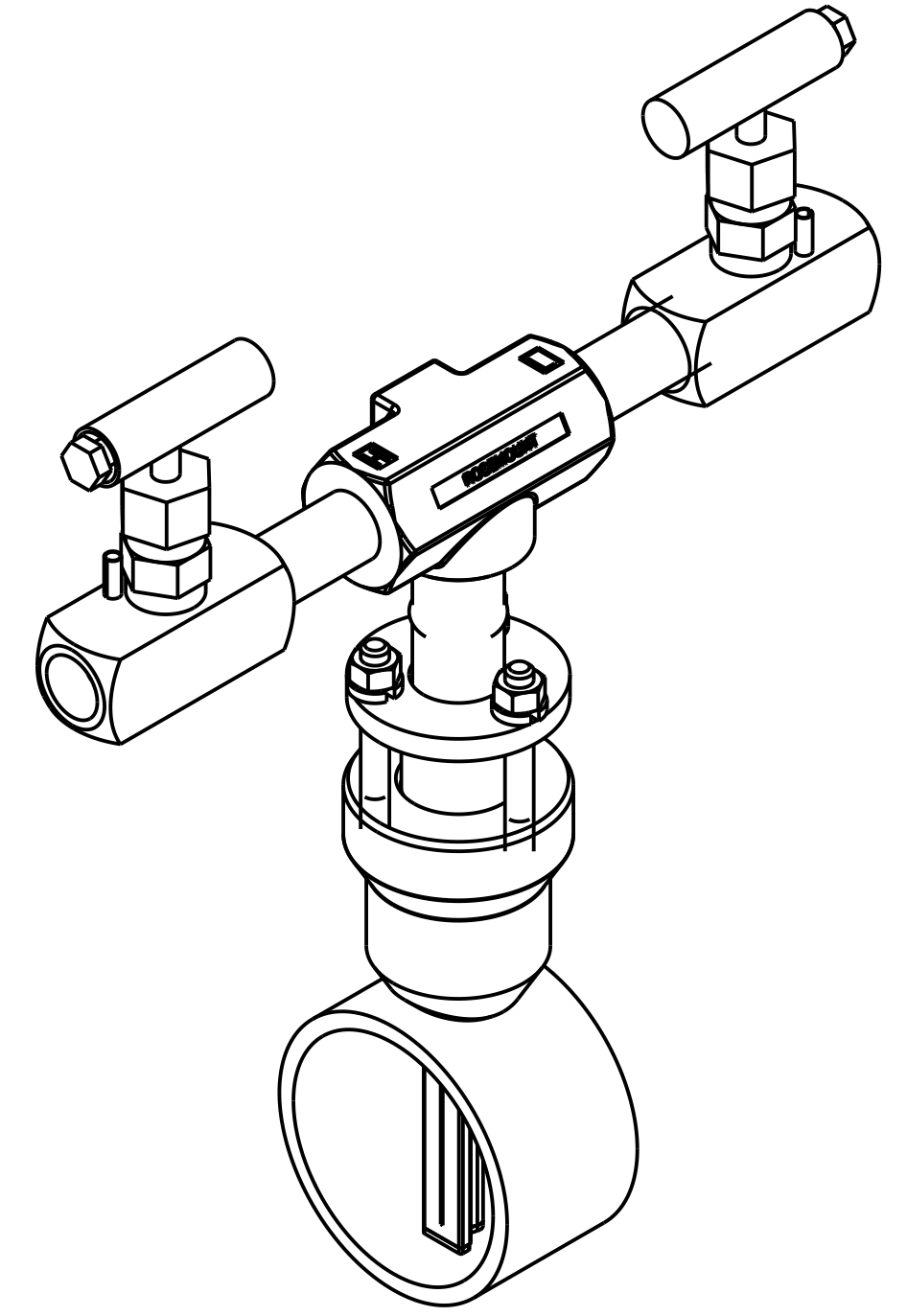
A B C D E F G H J K L M



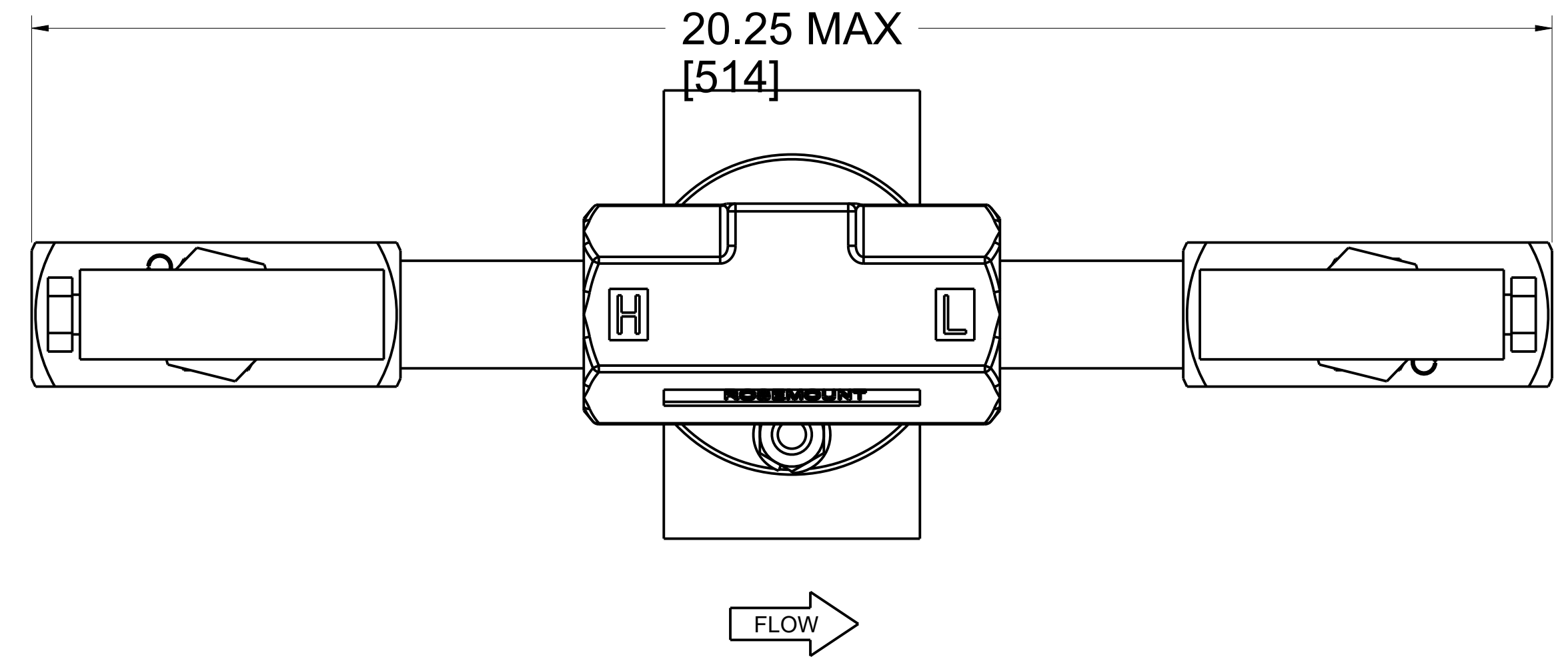
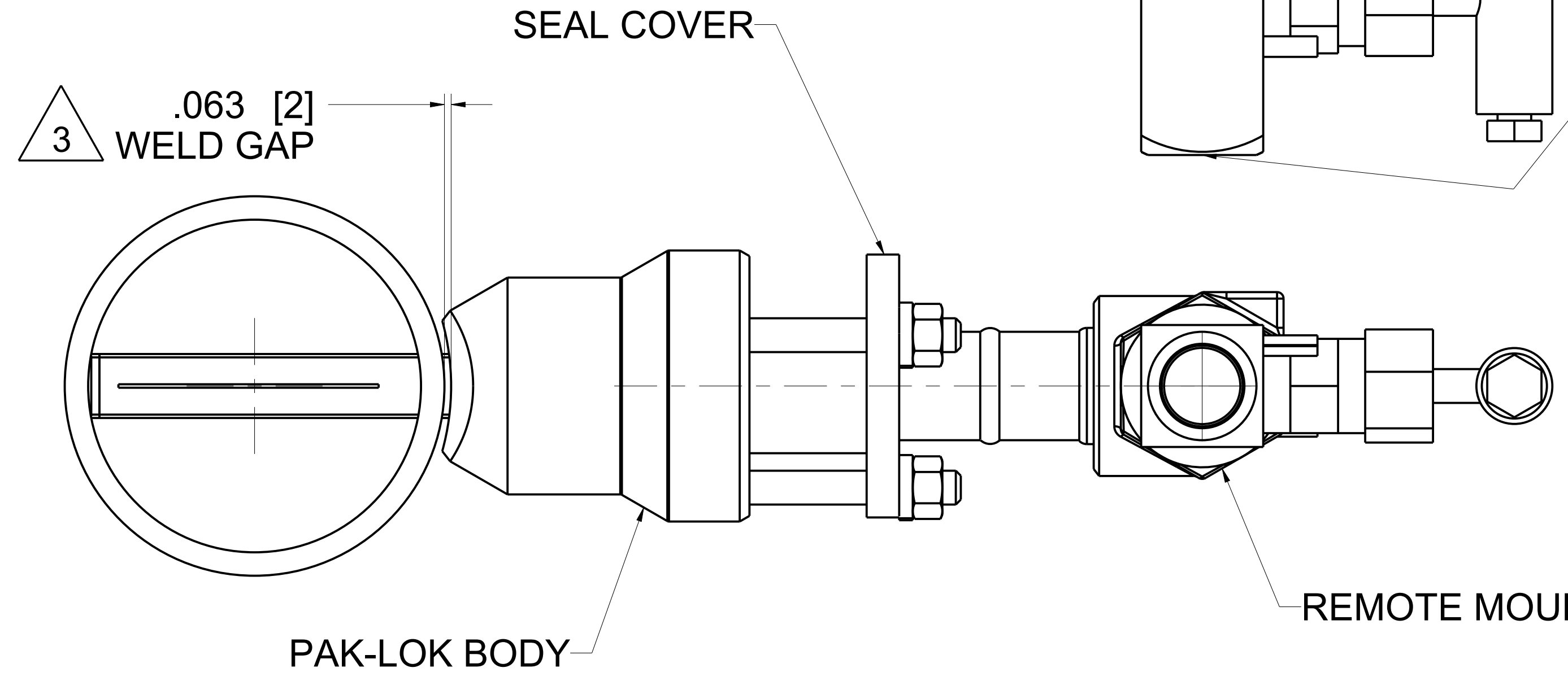
8.50 [216]  
MAX ODH

1/2" NPT OR SW  
LO PRESSURE  
CONNECTION

FOR NPT CONFIGURATION:  
(2) 1/2" NPT NIPPLE - LENGTH 5.5"  
(2) 1/2" NPT NEEDLE VALVE  
FOR SW CONFIGURATION:  
(2) 1/2" SW NIPPLE - LENGTH 5.0" MAX  
(2) 1/2" SW NEEDLE VALVE



1/2" NPT OR SW  
HI PRESSURE  
CONNECTION



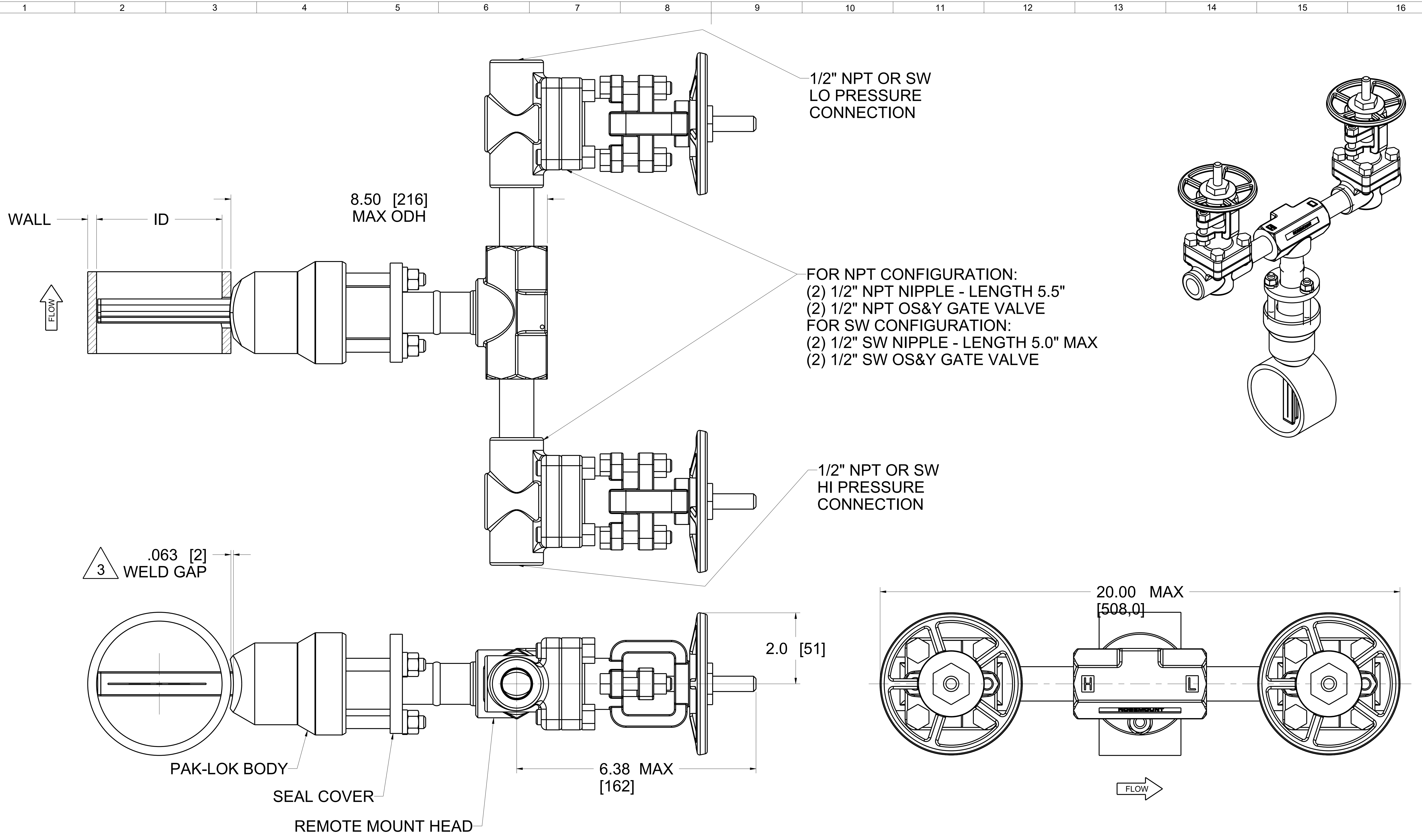
NOTE: THIS SHEET ONLY

1. MODEL SHOWN IS FOR HORIZONTAL APPLICATIONS. FOR VERTICAL FLOW, THE REMOTE MOUNT HEAD IS ROTATED 90 DEGREES.
2. NIPPLES AND INSTRUMENT VALVES ARE SHIPPED UNASSEMBLED.

REMOTE MOUNT OPTION  
NEEDLE VALVE  
FOR GAS, LIQUID OR STEAM

<small>©2015 ROSEMOUNT INC. ROSEMOUNT INC. CERTIFIES THIS DRAWING AS BEING IN ACCORDANCE WITH ROSEMOUNT ENGINEERING SPECIFICATIONS. UNIT NOTES IN INCHES (mm). REFERENCE ROSEMOUNT PRODUCT SPECIFICATIONS. CLICK HERE</small>			<small>3RD ANGLE</small> 	<small>SIZE</small> D	<small>SCALE</small> NTS
	<small>TITLE</small> ROSEMOUNT DIMENSIONAL DRAWING FOR MODEL 3051SFA PAK-LOK MOUNTING TYPE SENSOR SIZE 1				
	<small>DR.</small> W.KAI	<small>06/05/15</small>	<small>DRAWING NO.</small>	00485-1005	
	<small>APPD</small> JR	<small>07/31/15</small>	<small>CAD MAINTAINED, (PRO/E)</small>		

Electronic Master - Printed Copies Uncontrolled - Rosemount Proprietary



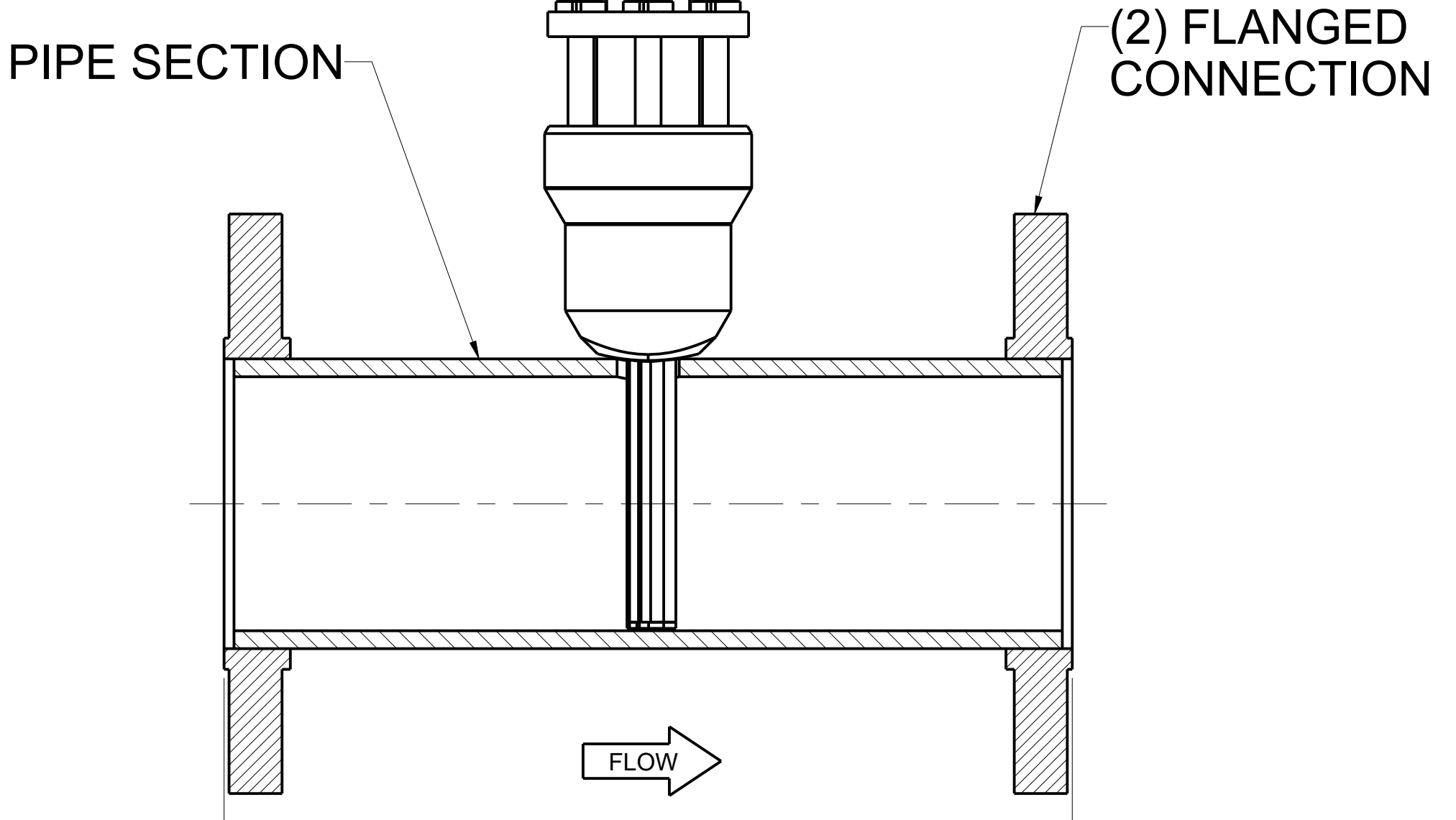
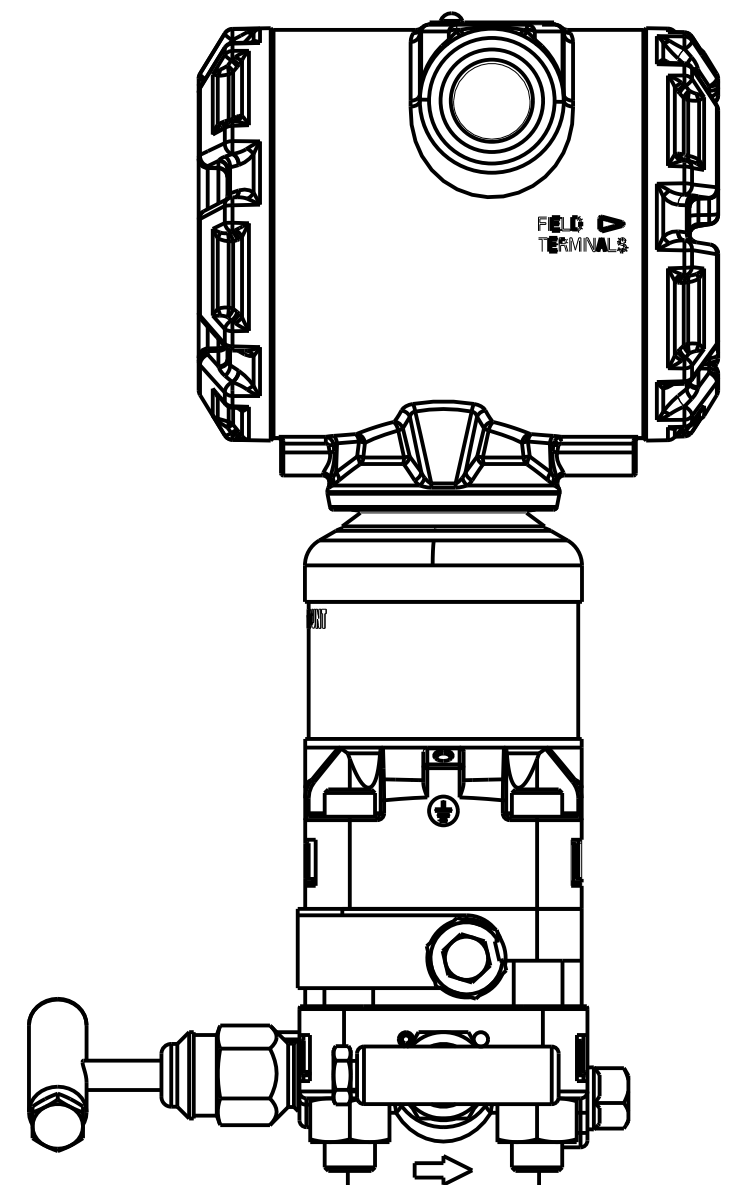
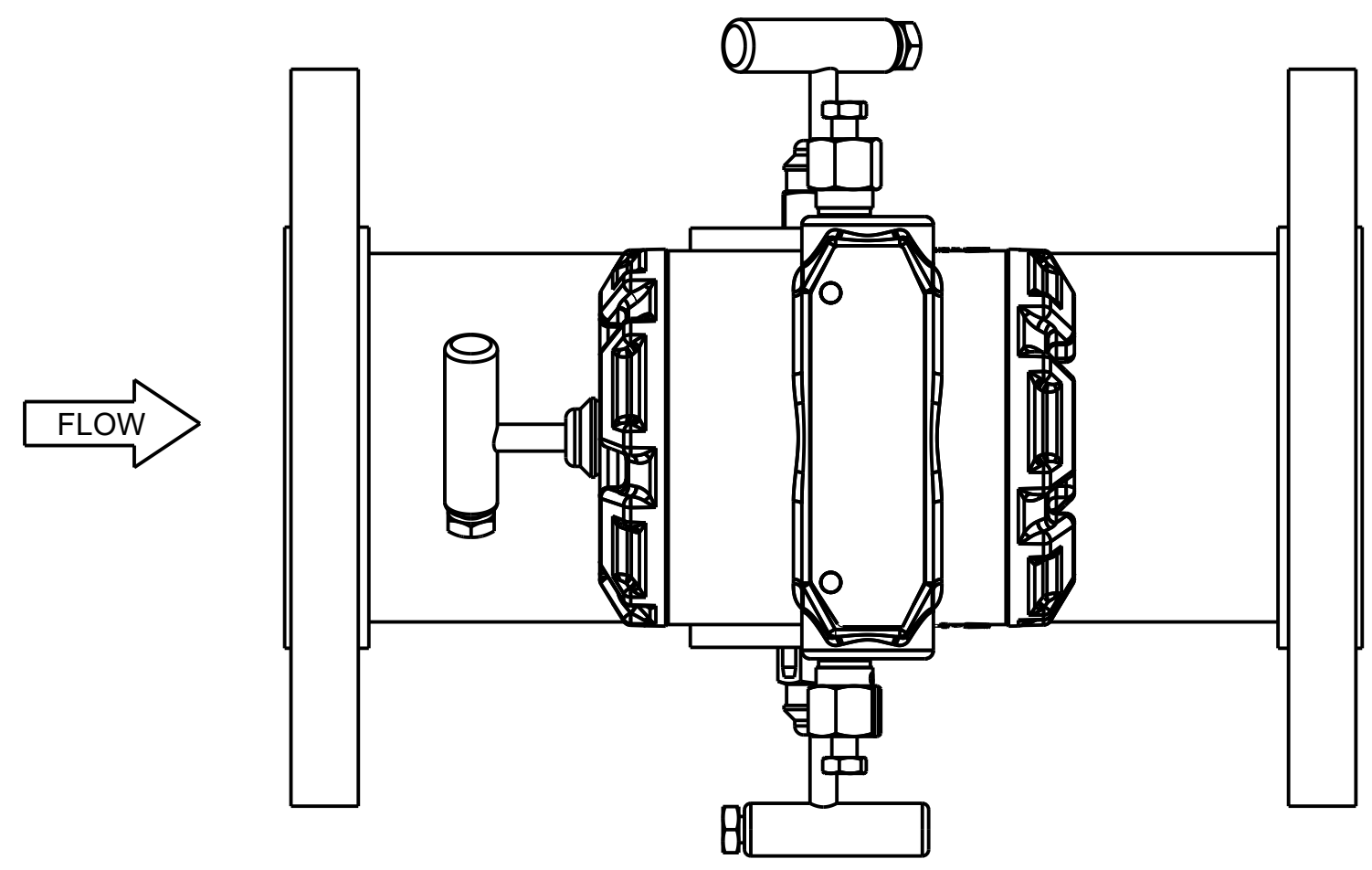
NOTE: THIS SHEET ONLY

1. MODEL SHOWN IS FOR HORIZONTAL APPLICATIONS. FOR VERTICAL FLOW, THE REMOTE MOUNT HEAD IS ROTATED 90 DEGREES.
2. NIPPLES AND INSTRUMENT VALVES ARE SHIPPED UNASSEMBLED

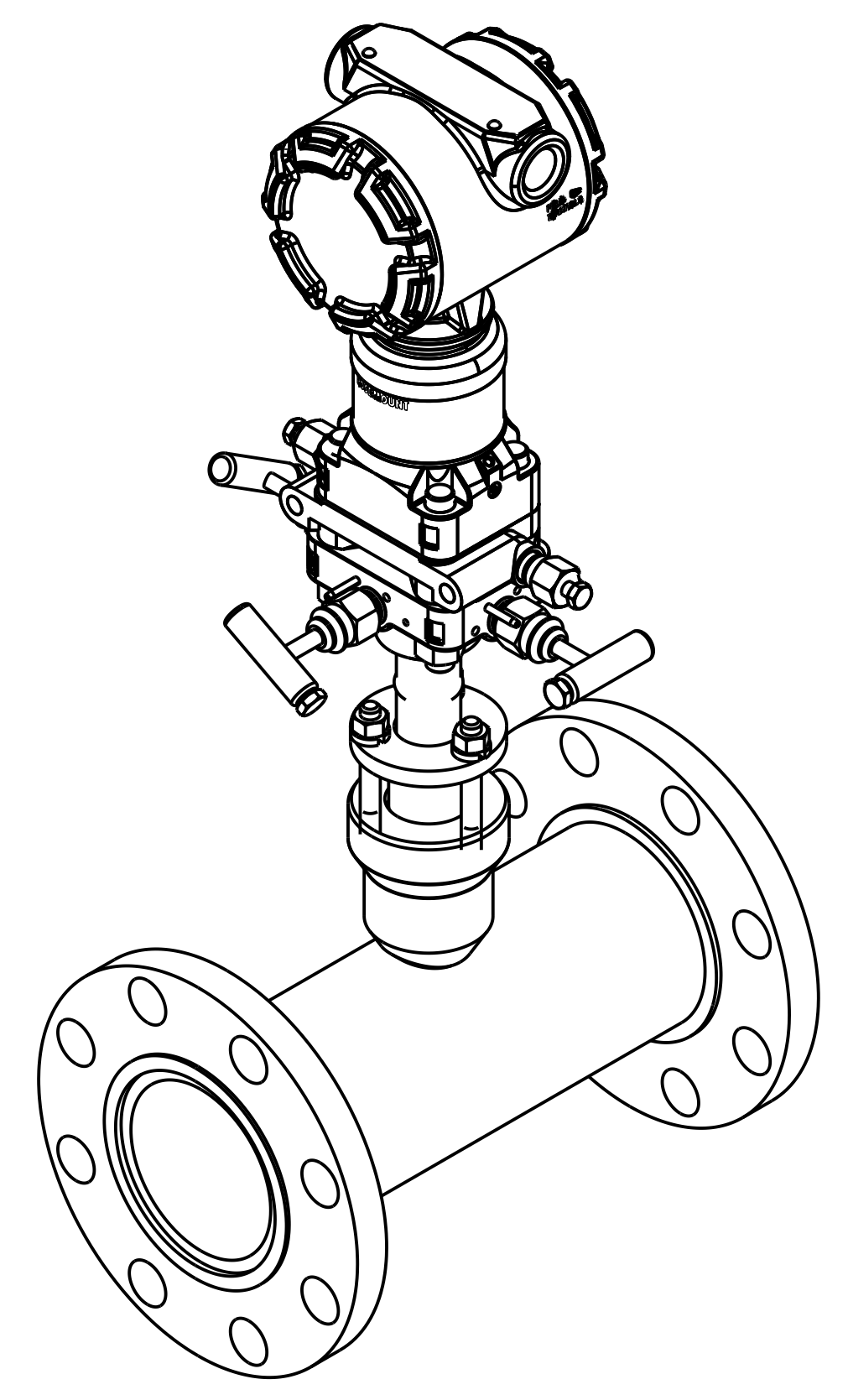
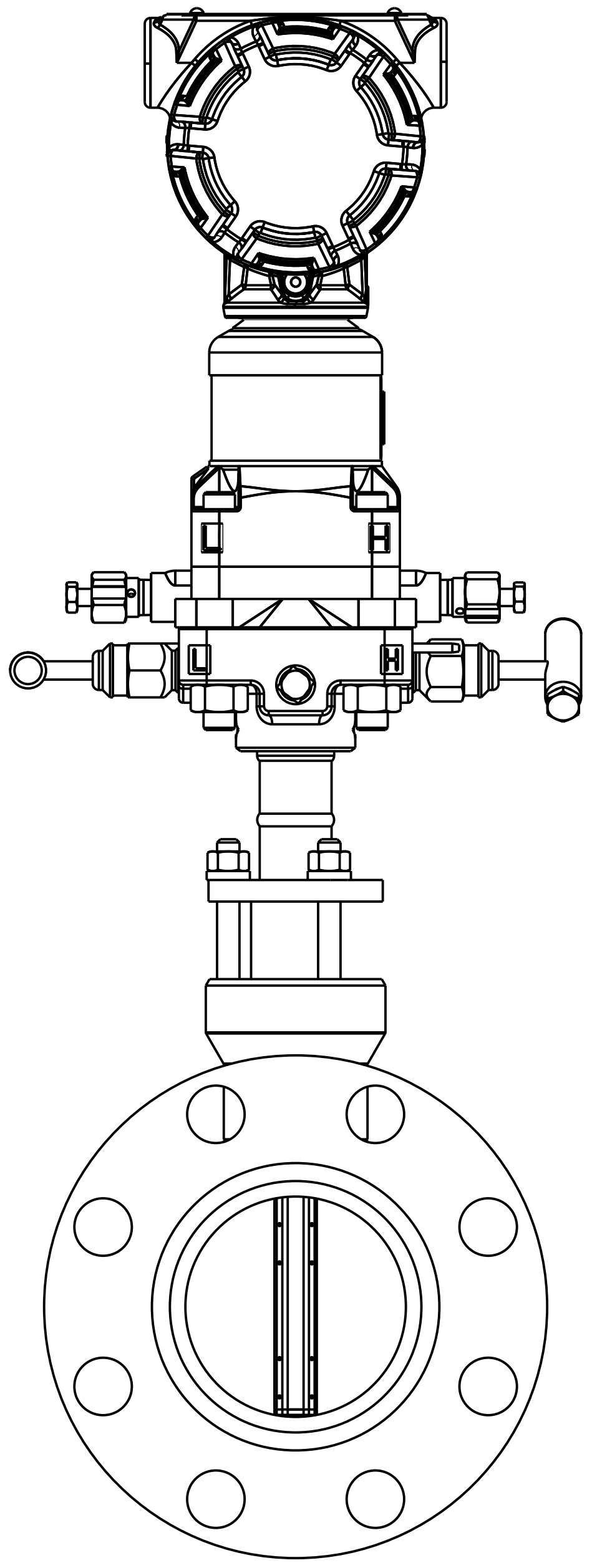
REMOTE MOUNT OPTION  
OS&Y GATE VALVE  
FOR GAS, LIQUID OR STEAM

©2015 ROSEMOUNT INC. ROSEMOUNT INC. CERTIFIES THIS DRAWING AS BEING IN ACCORDANCE WITH ROSEMOUNT ENGINEERING SPECIFICATIONS. UNIT NOTES IN INCHES (mm). REFERENCE ROSEMOUNT PRODUCT SPECIFICATIONS. CLICK HERE	3RD ANGLE	SIZE D	SCALE NTS
	TITLE: ROSEMOUNT DIMENSIONAL DRAWING FOR MODEL 3051SFA PAK-LOK MOUNTING TYPE SENSOR SIZE 1		
	DR: W.KAI 06/05/15 APPD: JR 07/31/15	DRAWING NO. 00485-1005	
CAD MAINTAINED, (PROE)		SHEET 11 OF 15	

Electronic Master - Printed Copies Uncontrolled - Rosemount Proprietary



FOR PIPE SECTION DIMENSIONS,  
SEE PDS 00813-0100-4809

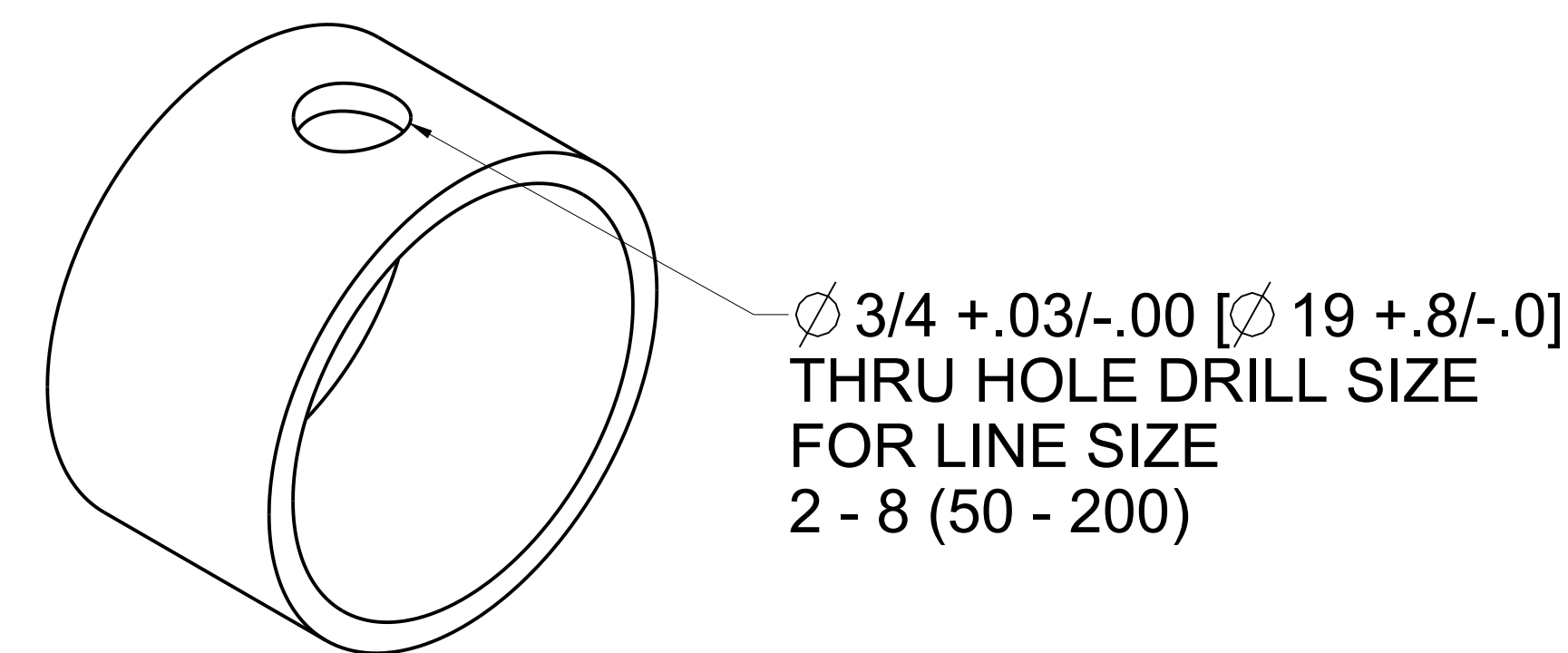
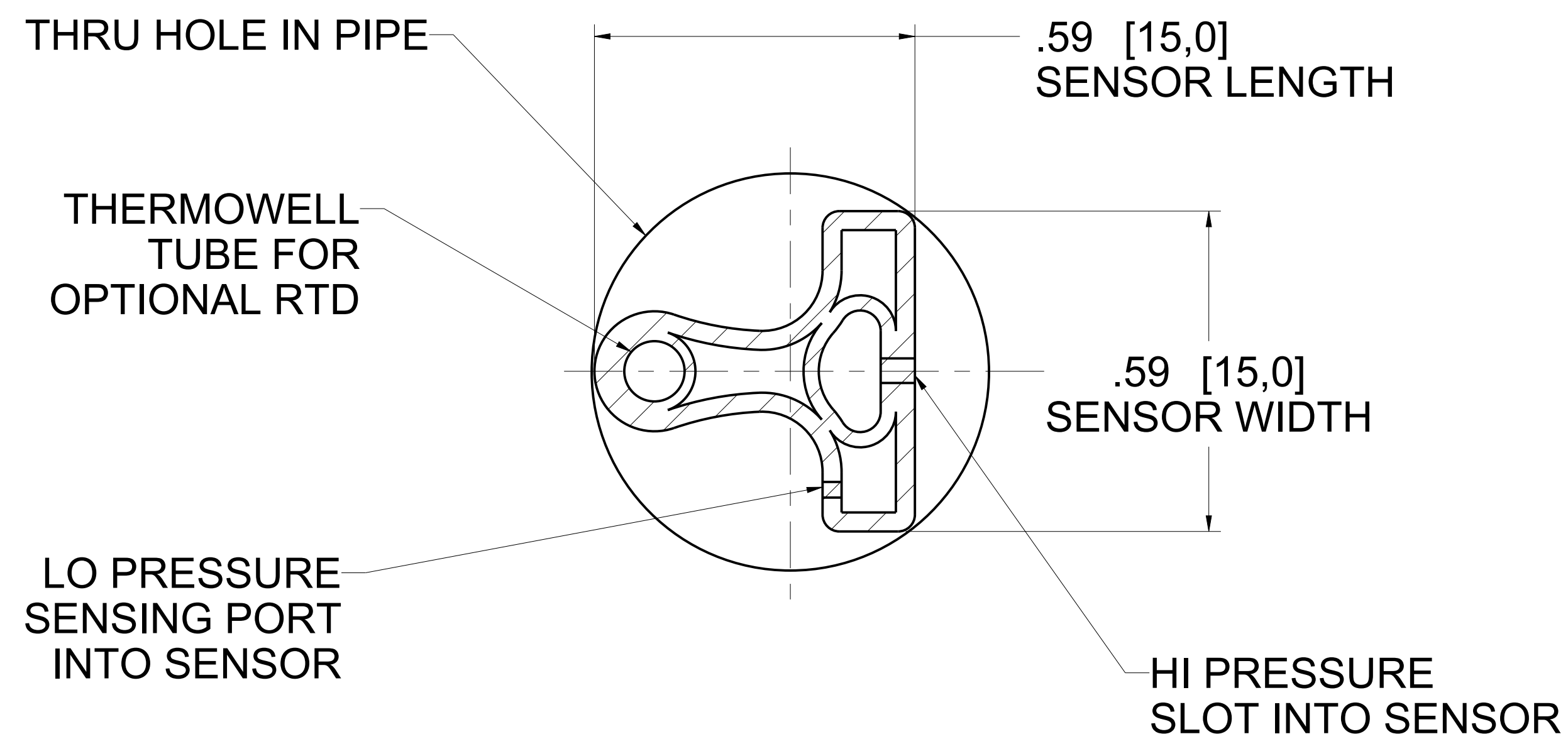
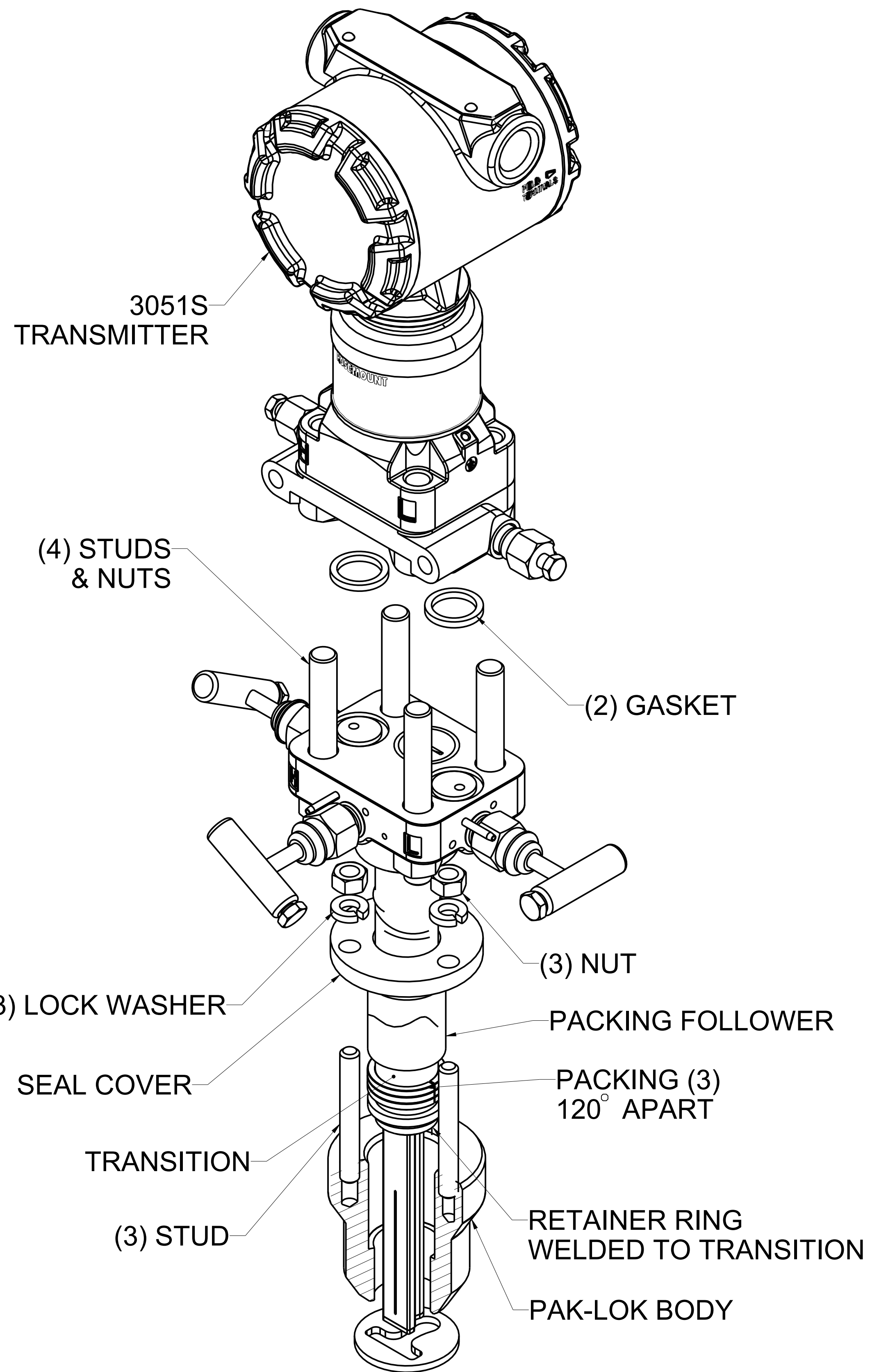


INSTALLED IN FLANGED PIPE SPOOL SECTION

©2015 ROSEMOUNT INC. ROSEMOUNT INC. CERTIFIES THIS DRAWING IS MADE IN ACCORDANCE WITH ROSEMOUNT ENGINEERING SPECIFICATIONS. UNIT NOTES IN INCHES (mm). REFERENCE ROSEMOUNT PRODUCT SPECIFICATIONS. CLICK HERE	3RD ANGLE	SIZE D	SCALE NTS	
	TITLE: ROSEMOUNT DIMENSIONAL DRAWING FOR MODEL 3051SFA PAK-LOK MOUNTING TYPE SENSOR SIZE 1			
	DR. W.KAI 06/05/15	DRAWING NO.	00485-1005	
	APPD. JR 07/31/15			
CAD MAINTAINED, (PROE)		SHEET 12 OF 15		

Electronic Master - Printed Copies Uncontrolled - Rosemount Proprietary

PAK-LOK MOUNTING DETAIL



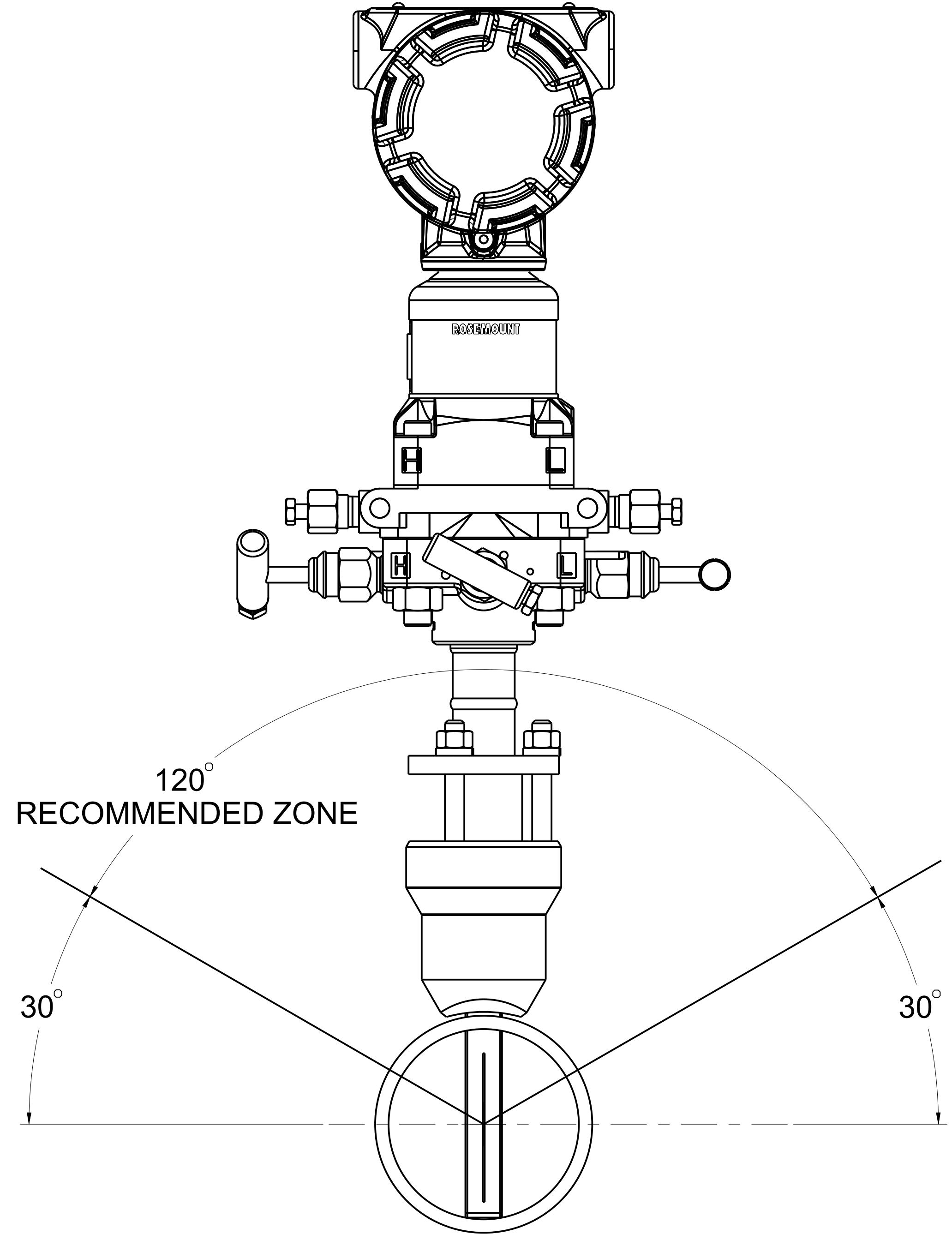
FOR ACCURATE FLOW MEASUREMENT DETERMINE THE DIAMETER OF THE HOLE TO BE DRILLED ACCORDING TO THE SPECIFICATIONS IN THE SENSOR SIZE HOLE CHART TABLE 4. DRILL THE MOUNTING HOLE INTO THE PIPE WITH A HOLE SAW OR DRILL. DO NOT TORCH CUT THE HOLE

THRU HOLE DRILL DETAIL

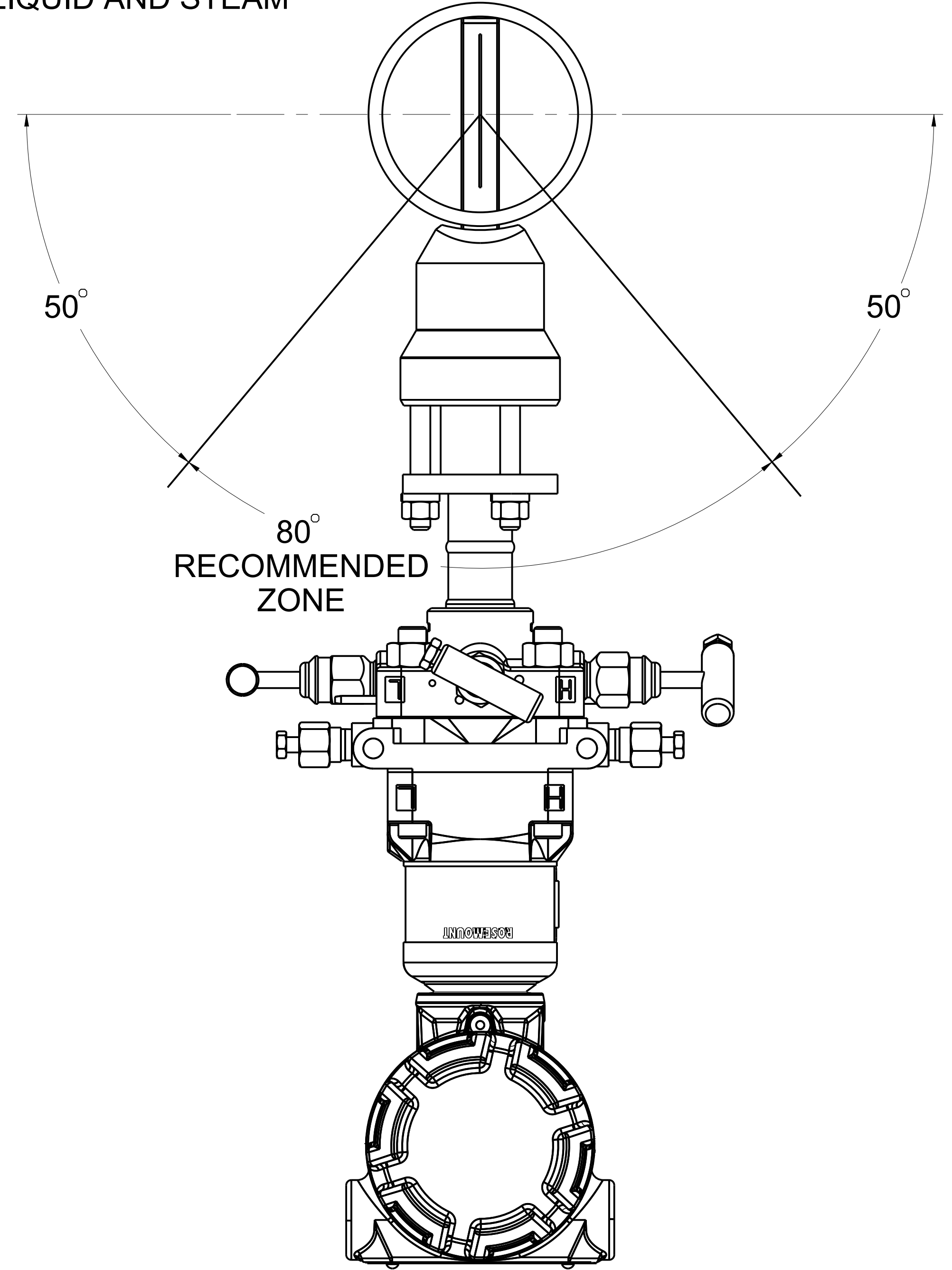
DETAILS

©2015 ROSEMOUNT INC. ROSEMOUNT INC. CERTIFIES THIS DRAWING TO BE IN ACCORDANCE WITH ROSEMOUNT ENGINEERING SPECIFICATIONS. UNIT NOTES IN INCHES (mm). REFERENCE ROSEMOUNT PRODUCT SPECIFICATIONS. CLICK HERE	3RD ANGLE		SIZE D	SCALE NTS
	TITLE: ROSEMOUNT DIMENSIONAL DRAWING FOR MODEL 3051SFA PAK-LOK MOUNTING TYPE SENSOR SIZE 1			
	DR: W.KAI   06/05/15   DRAWING NO. APPD: JR   07/31/15	00485-1005		
CAD MAINTAINED, (PRO/E)			SHEET 13 OF 15	

GAS



LIQUID AND STEAM



HORIZONTAL ORIENTATION

©2015 ROSEMOUNT INC.  
 ROSEMOUNT INC. CERTIFIES  
 THIS DOCUMENT IS IN  
 ACCORDANCE WITH  
 ROSEMOUNT ENGINEERING  
 SPECIFICATIONS.  
 UNIT NOTES IN INCHES (mm).  
 REFERENCE ROSEMOUNT  
 PRODUCT SPECIFICATIONS.  
 CLICK HERE

3RD ANGLE

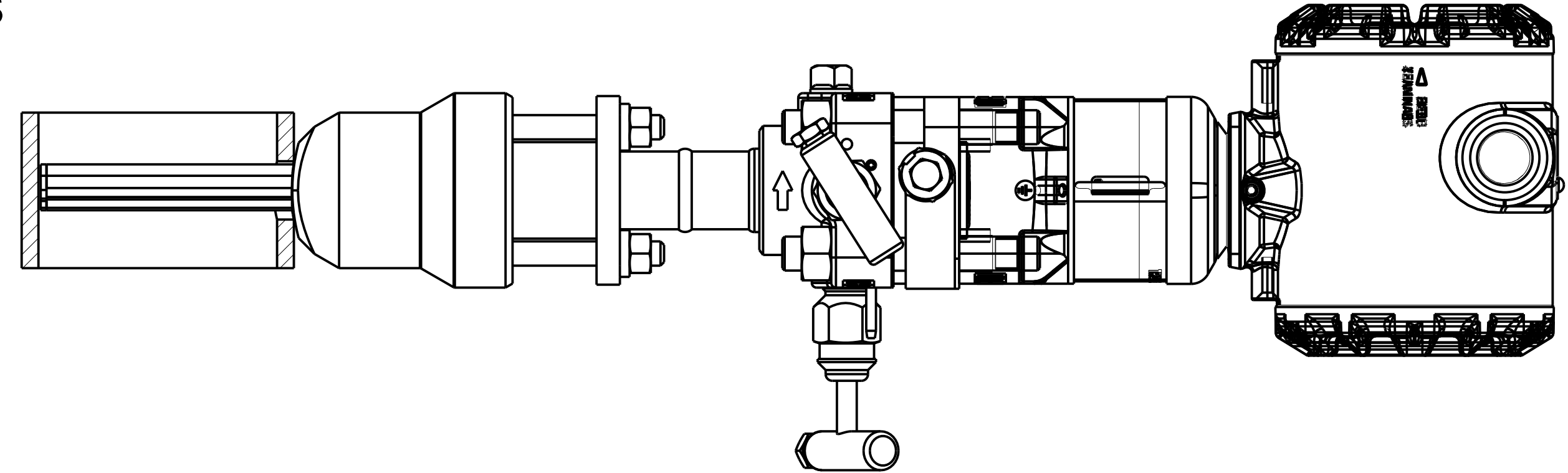
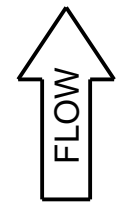
EMERSON

TITLE: ROSEMOUNT DIMENSIONAL DRAWING FOR MODEL  
 3051SFA PAK-LOK MOUNTING TYPE SENSOR SIZE 1

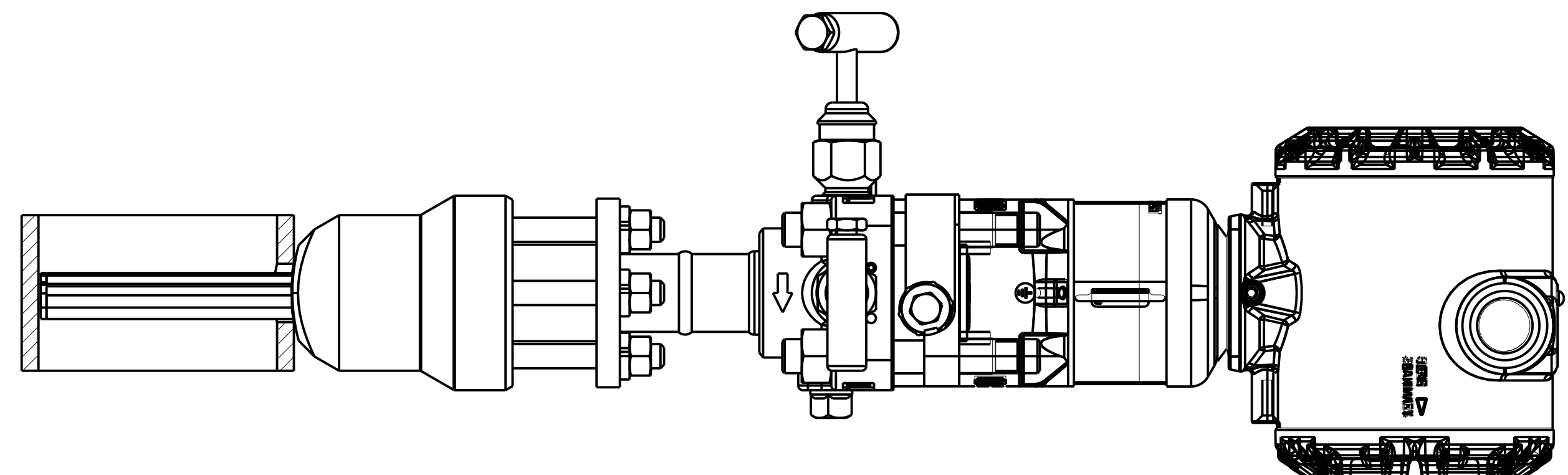
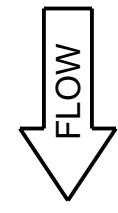
DR:	W.KAI	06/05/15	DRAWING NO.	
APPD:	JR	07/31/15		00485-1005
CAD MAINTAINED, (PROE)				SHEET 14 OF 15

Electronic Master - Printed Copies Uncontrolled - Rosemount Proprietary

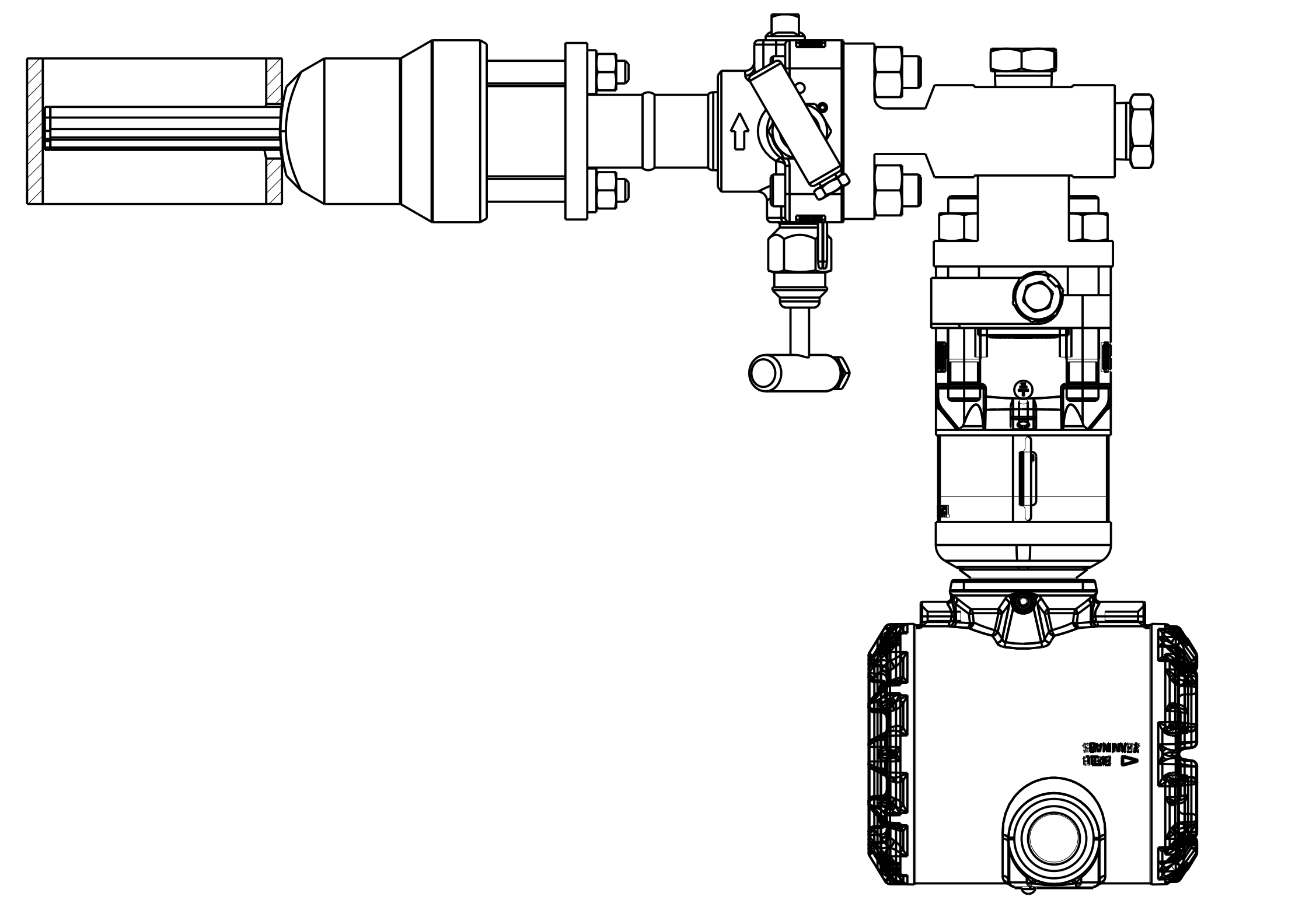
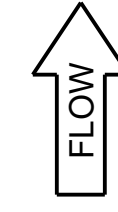
LIQUID AND GAS



GAS



STEAM



VERTICAL ORIENTATION

©2015 ROSEMOUNT INC.  
ROSEMOUNT INC. CERTIFIES  
THIS DIMENSIONAL DRAWING IS  
IN ACCORDANCE WITH  
ROSEMOUNT ENGINEERING  
SPECIFICATIONS.  
UNIT NOTES IN INCHES (mm).  
REFERENCE ROSEMOUNT  
PRODUCT SPECIFICATIONS.  
CLICK HERE

3RD ANGLE

EMERSON

TITLE: ROSEMOUNT DIMENSIONAL DRAWING FOR MODEL  
3051SFA PAK-LOK MOUNTING TYPE SENSOR SIZE 1

DR:	W.KAI	06/05/15	DRAWING NO.	
APPD:	JR	07/31/15		00485-1005
CAD MAINTAINED, (PROE)				SHEET 15 OF 15