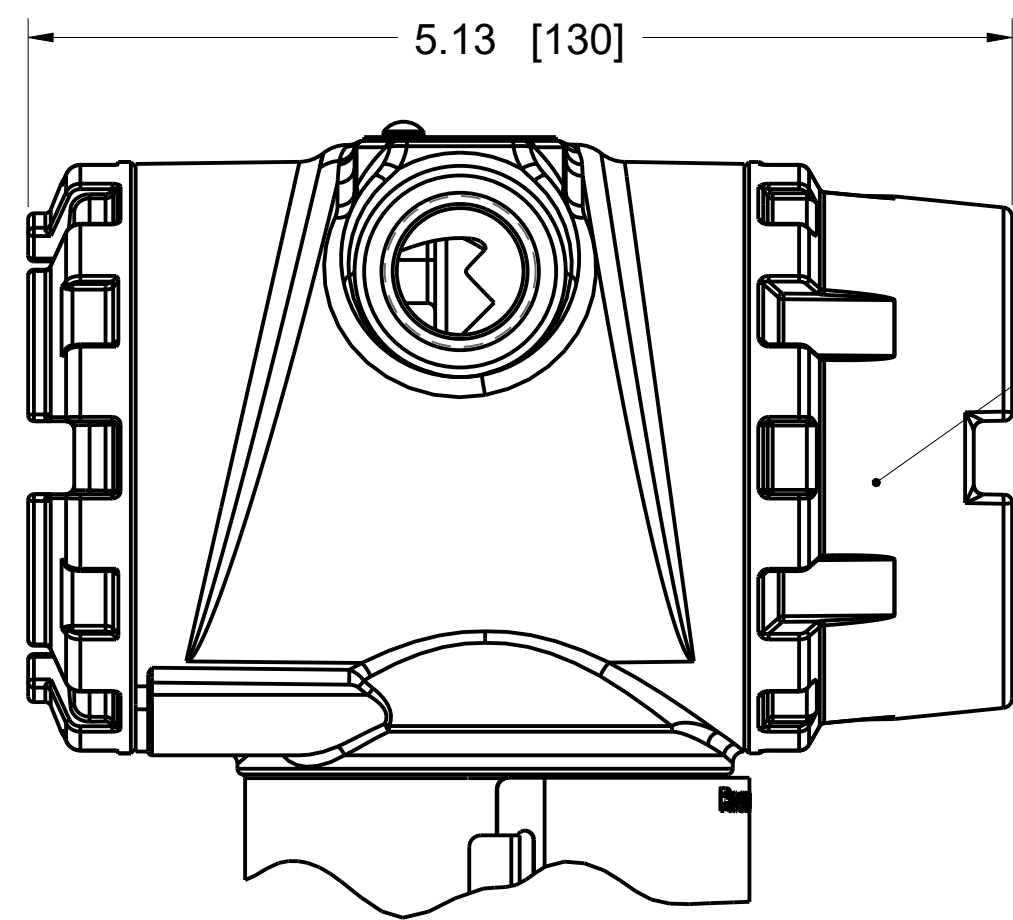


ROSEMOUNT 3051T IN-LINE PRESSURE TRANSMITTER

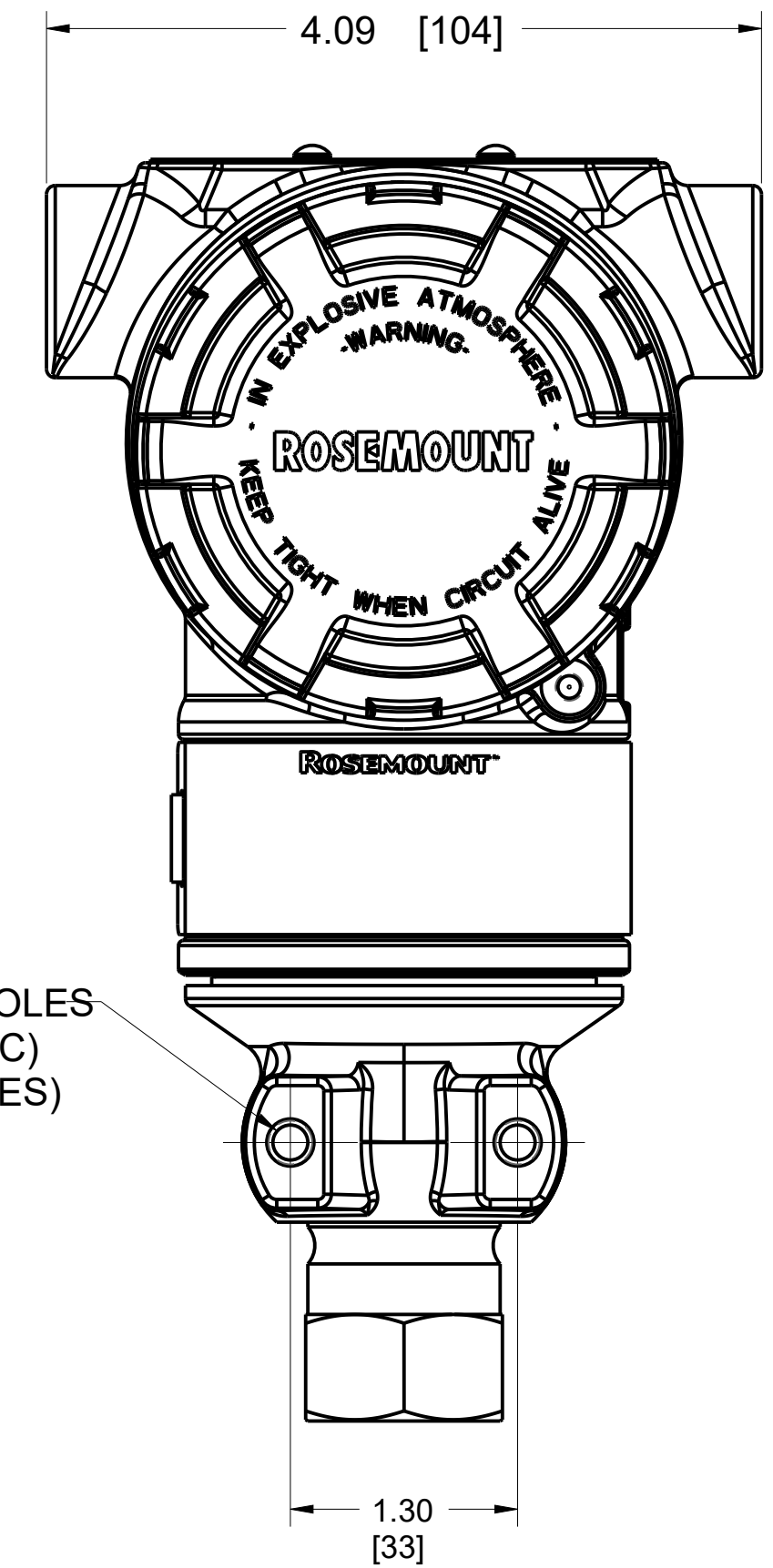
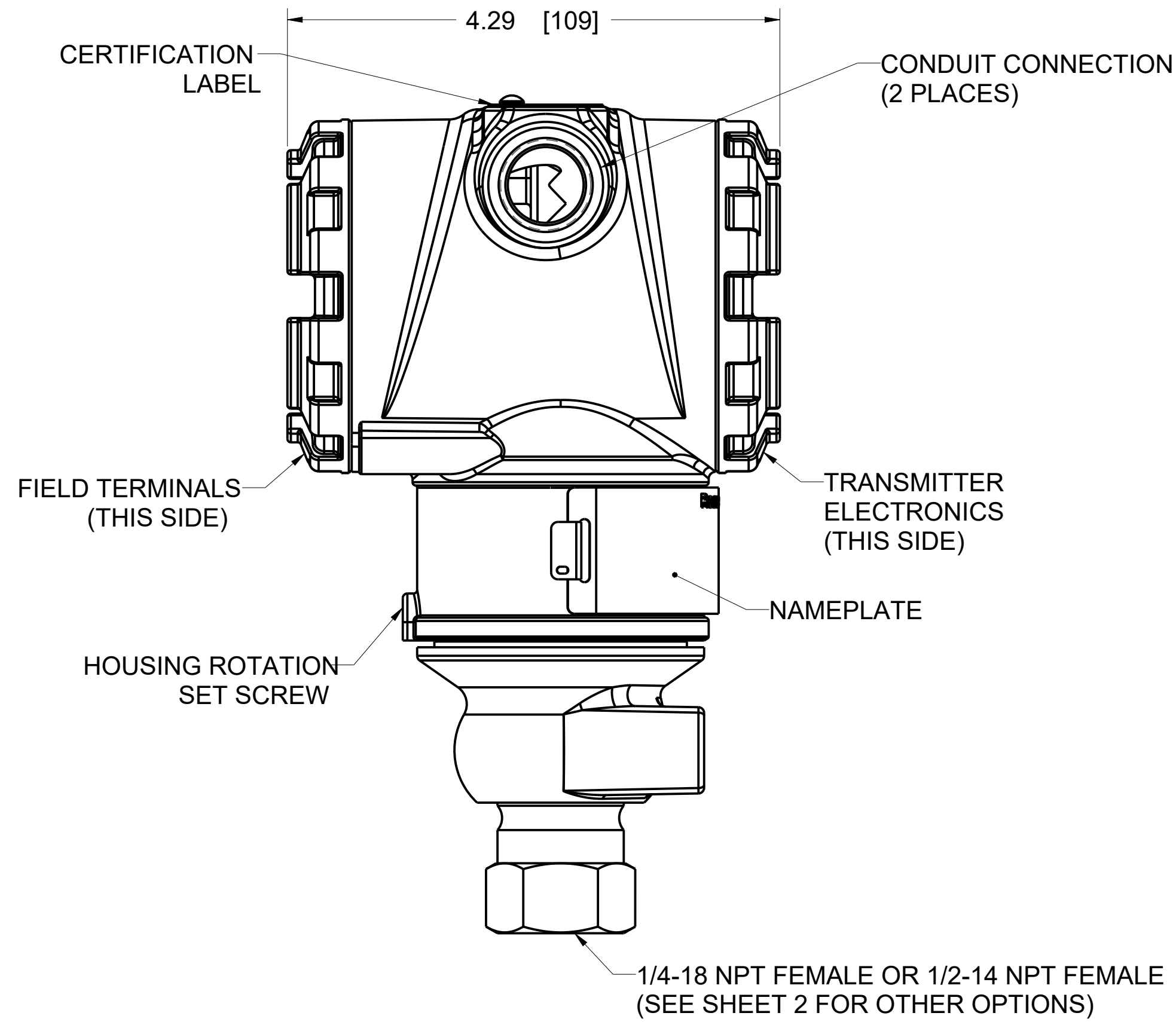
REVISION TABLE			
REVISION	ECO NO.	APP'D	DATE
AM	RTC1072358	N. MEIDL	2/11/19
DESCRIPTION			
DELETE PAGES FOR LOW POWER OUTPUT TRANSMITTER			

SHOWN WITH OPTIONAL DIGITAL DISPLAY

OUTPUT CODE (A), (F), (M), AND (W)
ALUMINUM/SST HOUSING

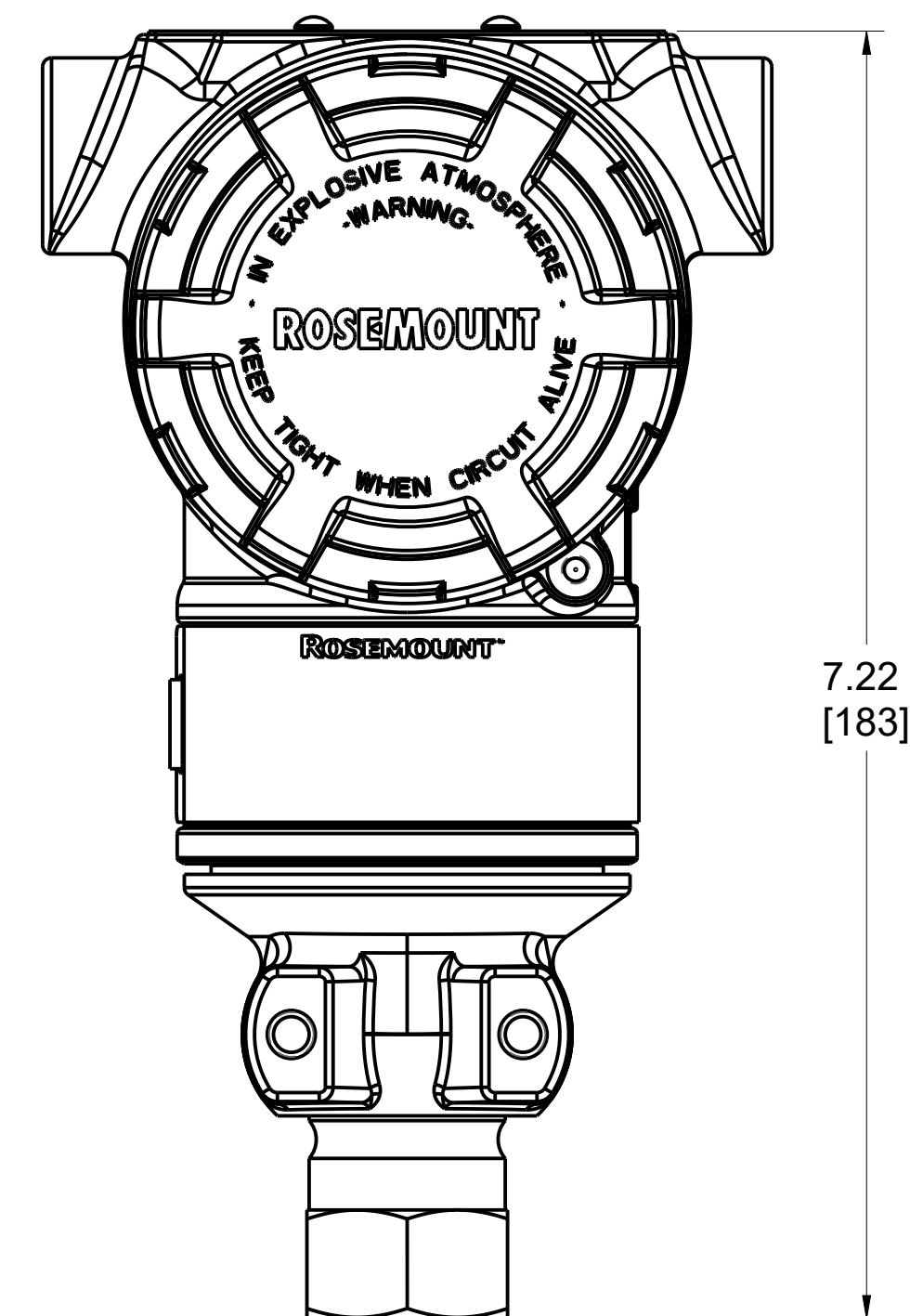
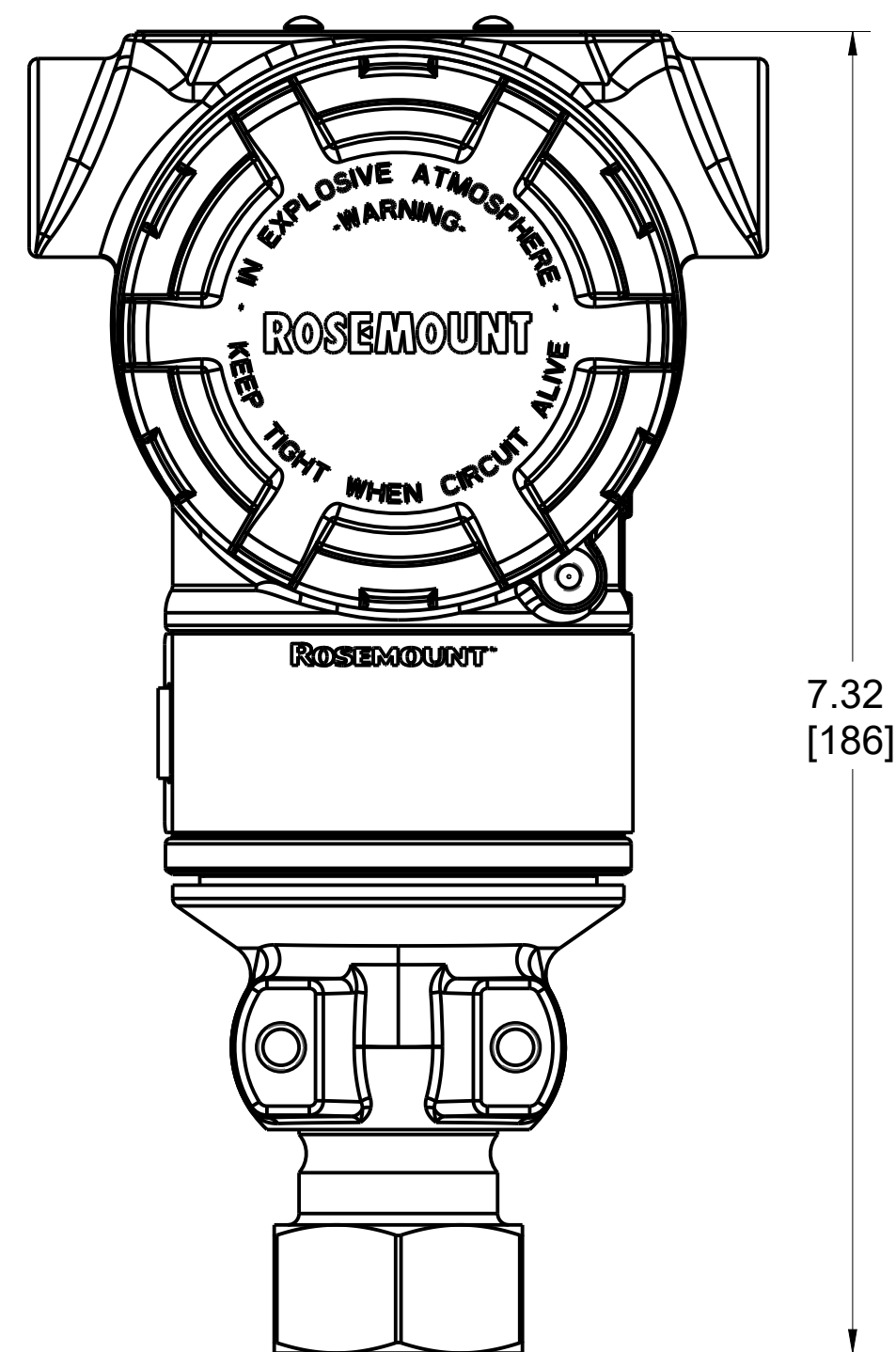
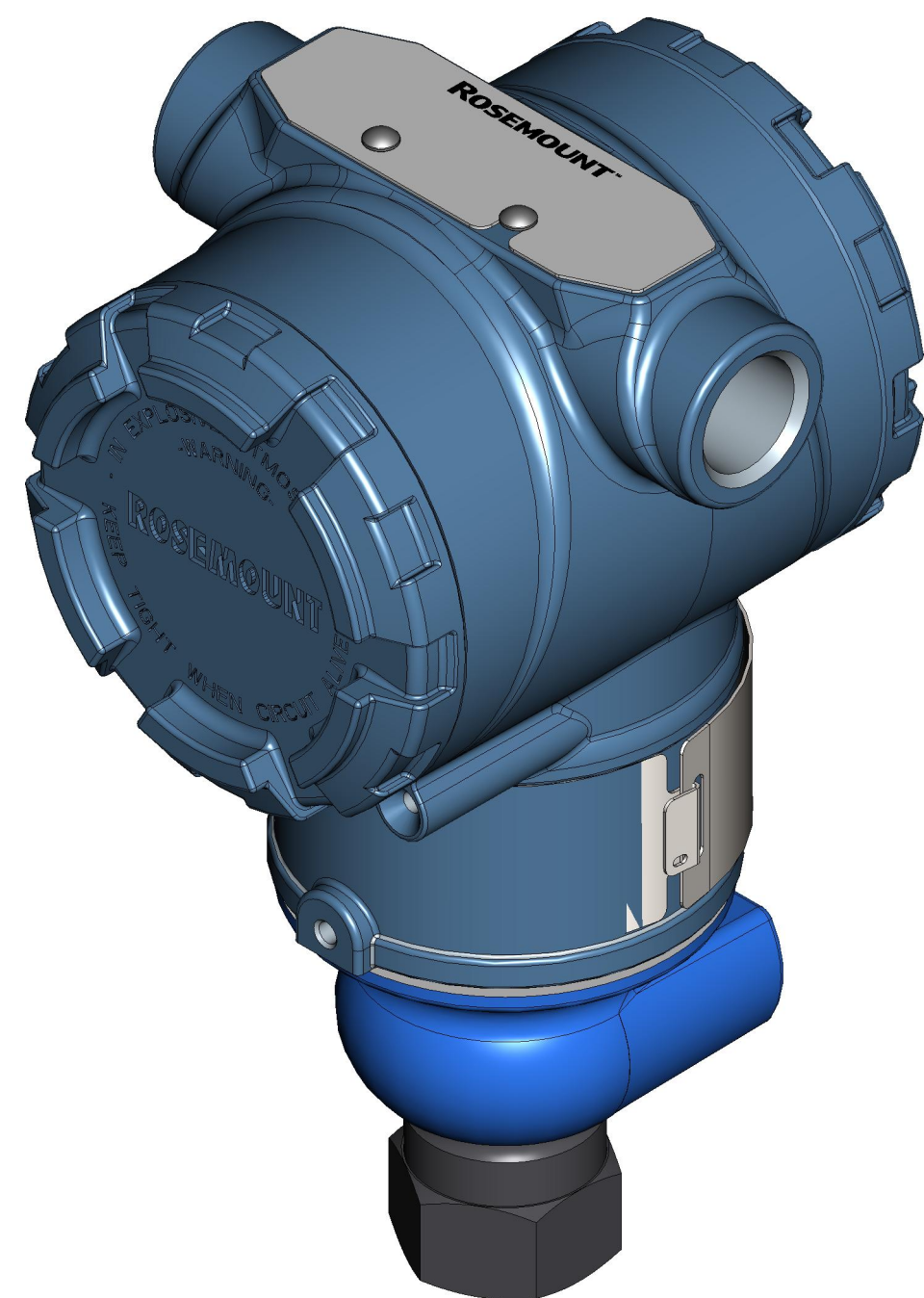


DIGITAL DISPLAY COVER



PRESSURE RANGE OPTION 5

PRESSURE RANGE OPTION 1-4



©2015 ROSEMOUNT INC.
ROSEMOUNT INC. CERTIFIES
THIS DRAWING IS MADE
IN ACCORDANCE WITH
ROSEMOUNT ENGINEERING
SPECIFICATIONS.
UNIT NOTES IN INCHES (mm).
REFERENCE ROSEMOUNT
PRODUCT SPECIFICATIONS.
CLICK HERE

3RD ANGLE

SIZE D SCALE NTS

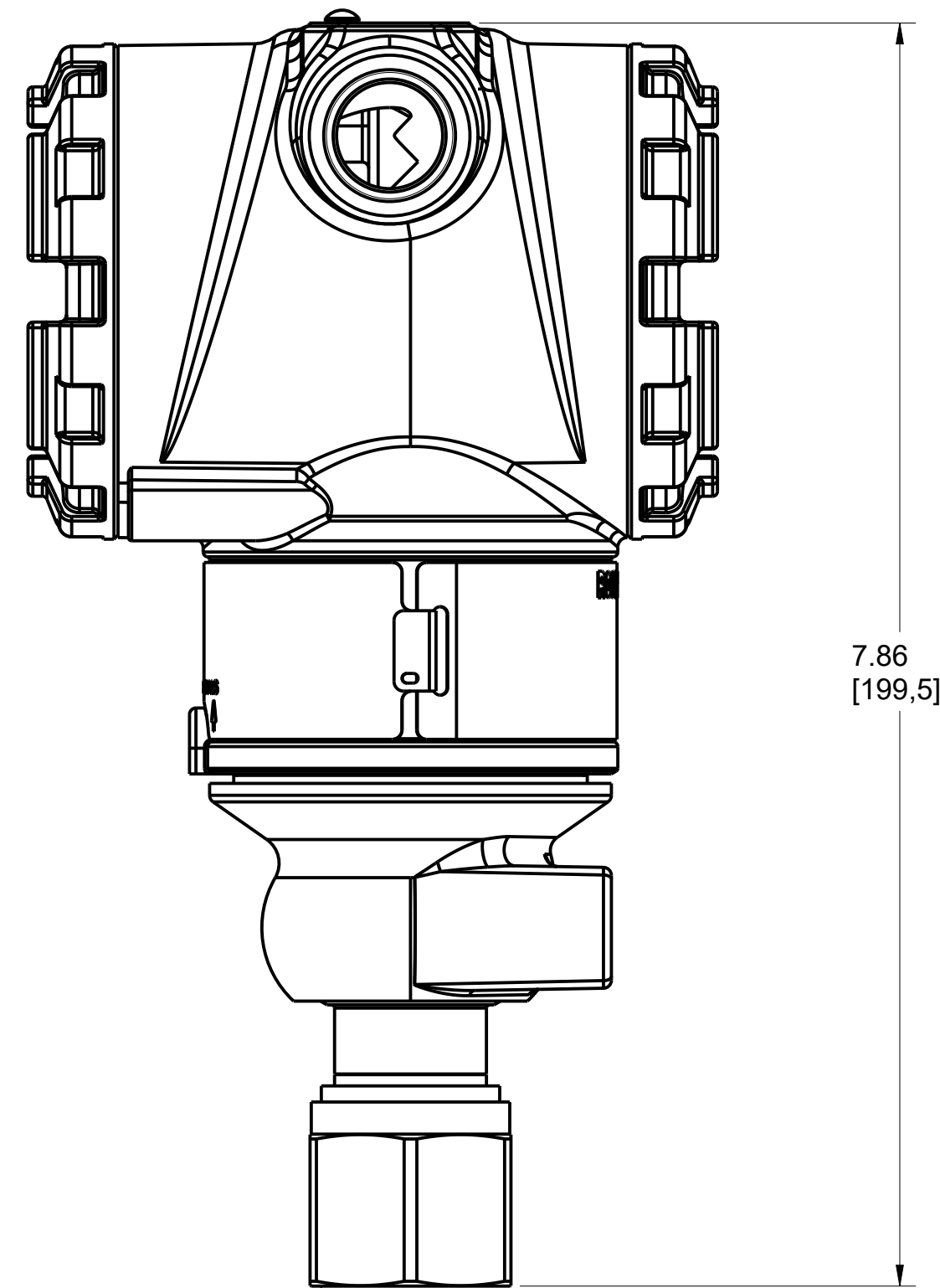
EMERSON

TITLE ROSEMOUNT 3051T IN-LINE
TYPE I DRAWING

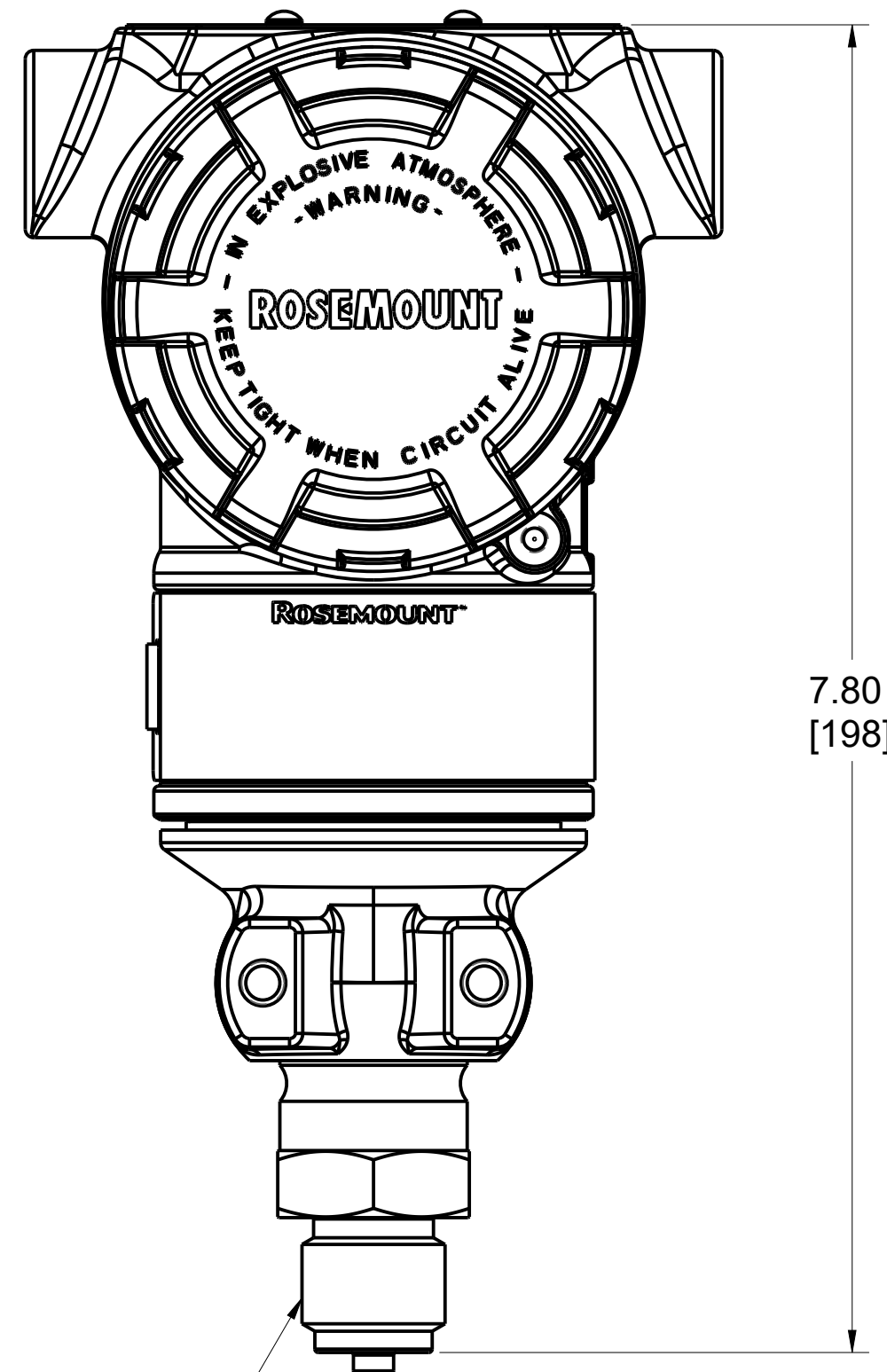
DR.	JLA	7/23/14	DRAWING NO.	
APP'D	OM WALLACE	7/23/14		03031-2097
CAD MAINTAINED, (PROE)				SHEET 1 OF 6

ROSEMOUNT 3051T IN-LINE PRESSURE TRANSMITTER

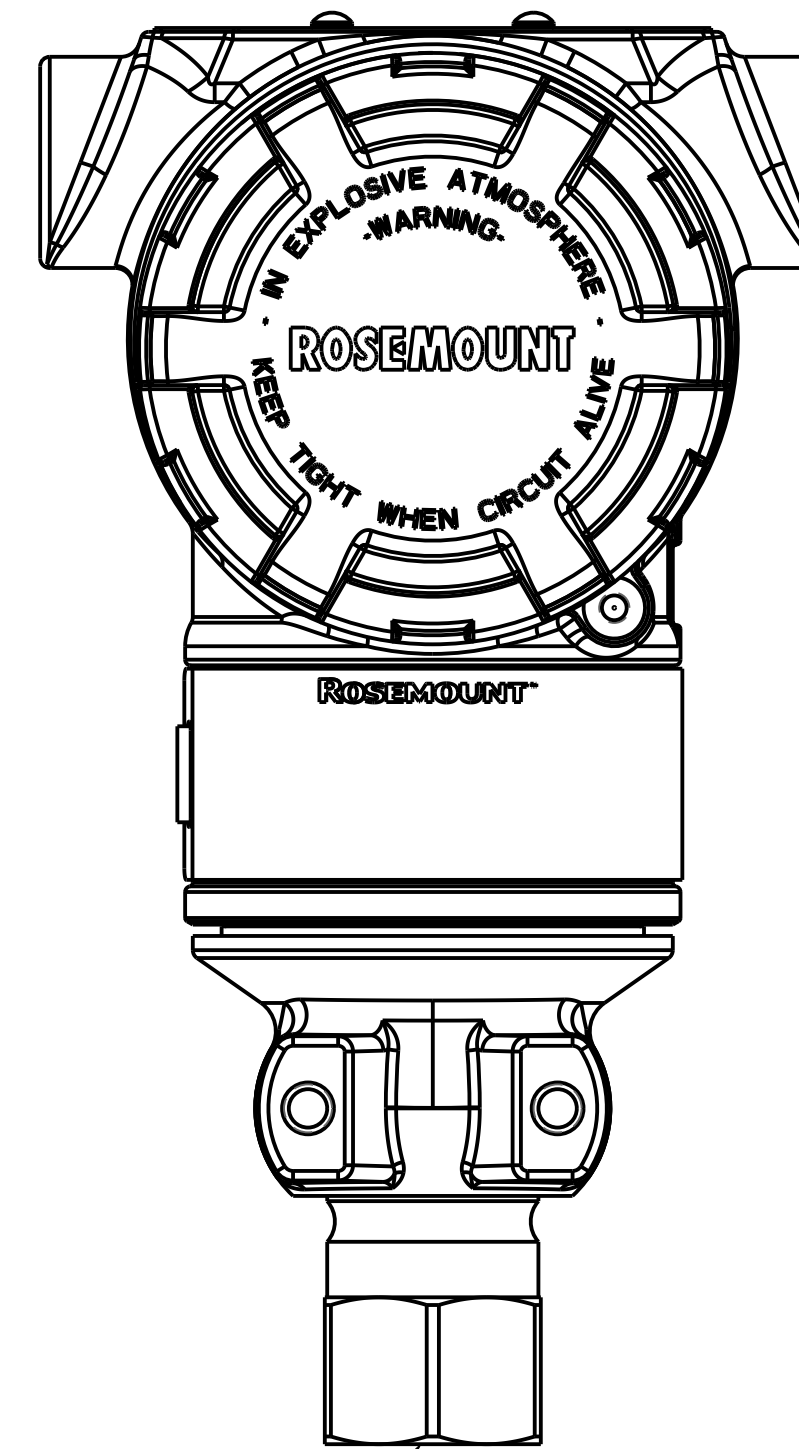
PRESSURE RANGE OPTION 6



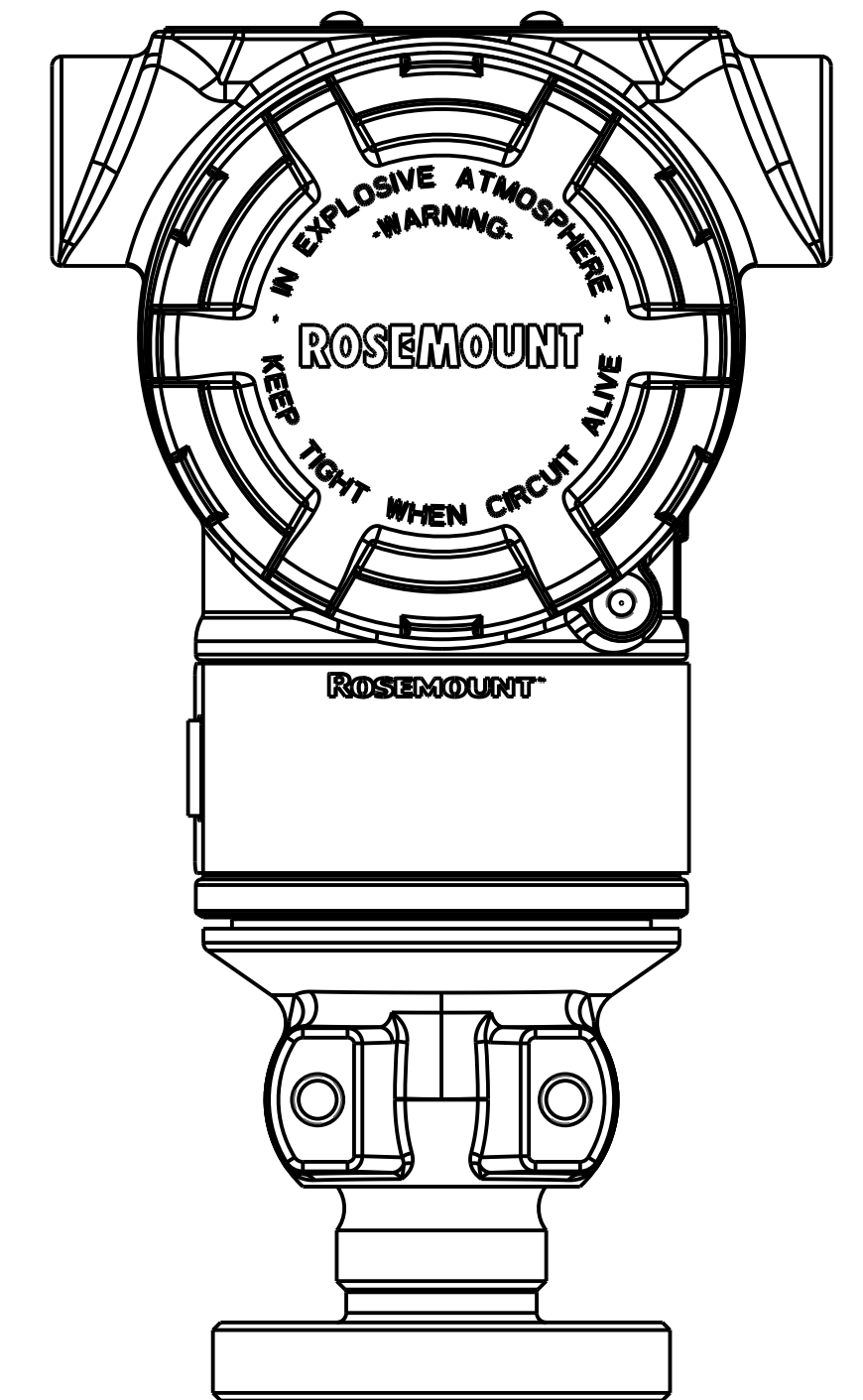
G 1/2 A DIN 16288 MALE
PROCESS CONNECTION



AUTOCLAVE TYPE F-250-C
PROCESS CONNECTION



NON-THREADED INSTRUMENT FLANGE
PROCESS CONNECTION

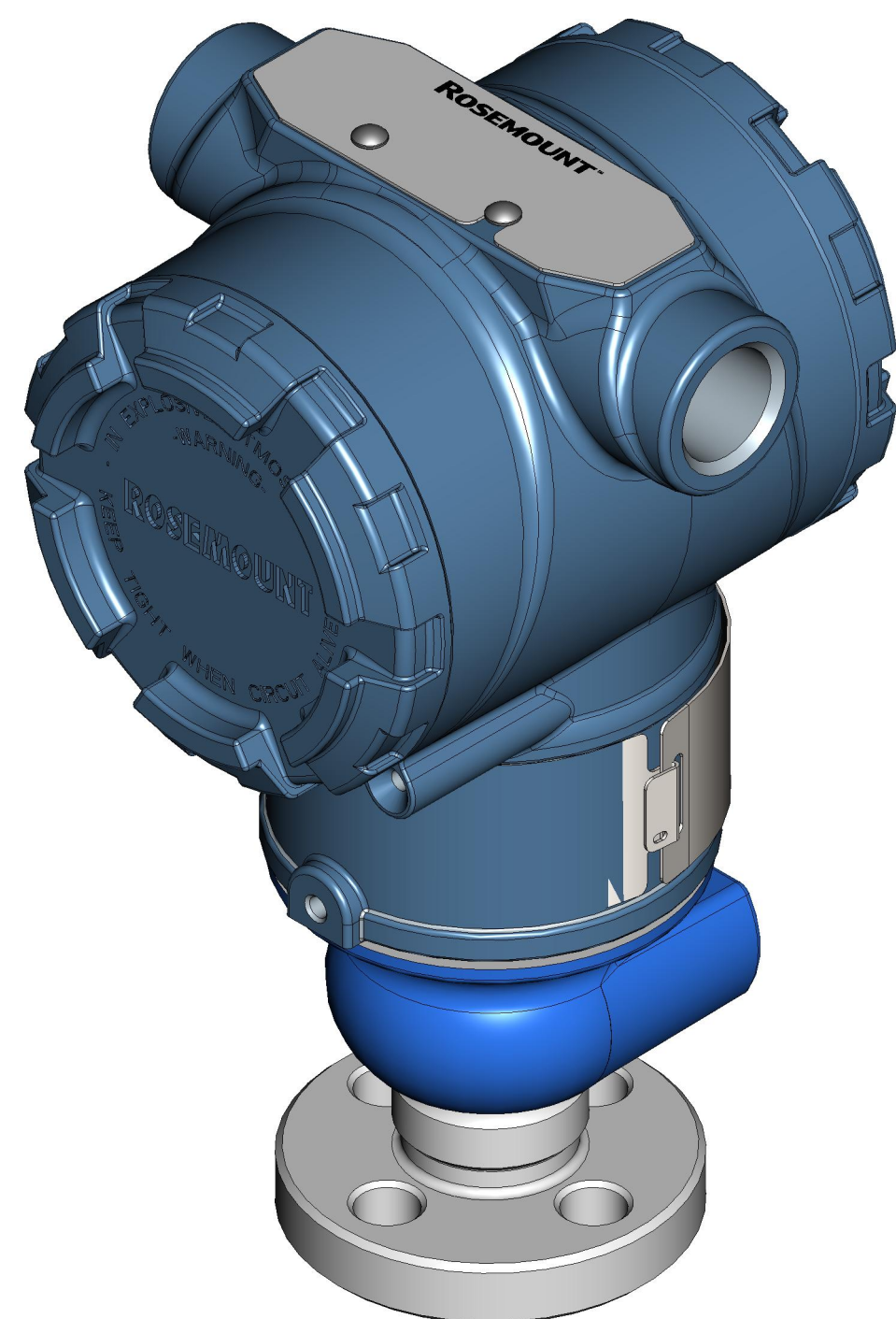


AUTOCLAVE TYPE F-250-C

G 1/2 A DIN 16288 MALE

AUTOCLAVE TYPE F-250-C
(RANGE 5 ONLY)

NON-THREADED INSTRUMENT FLANGE

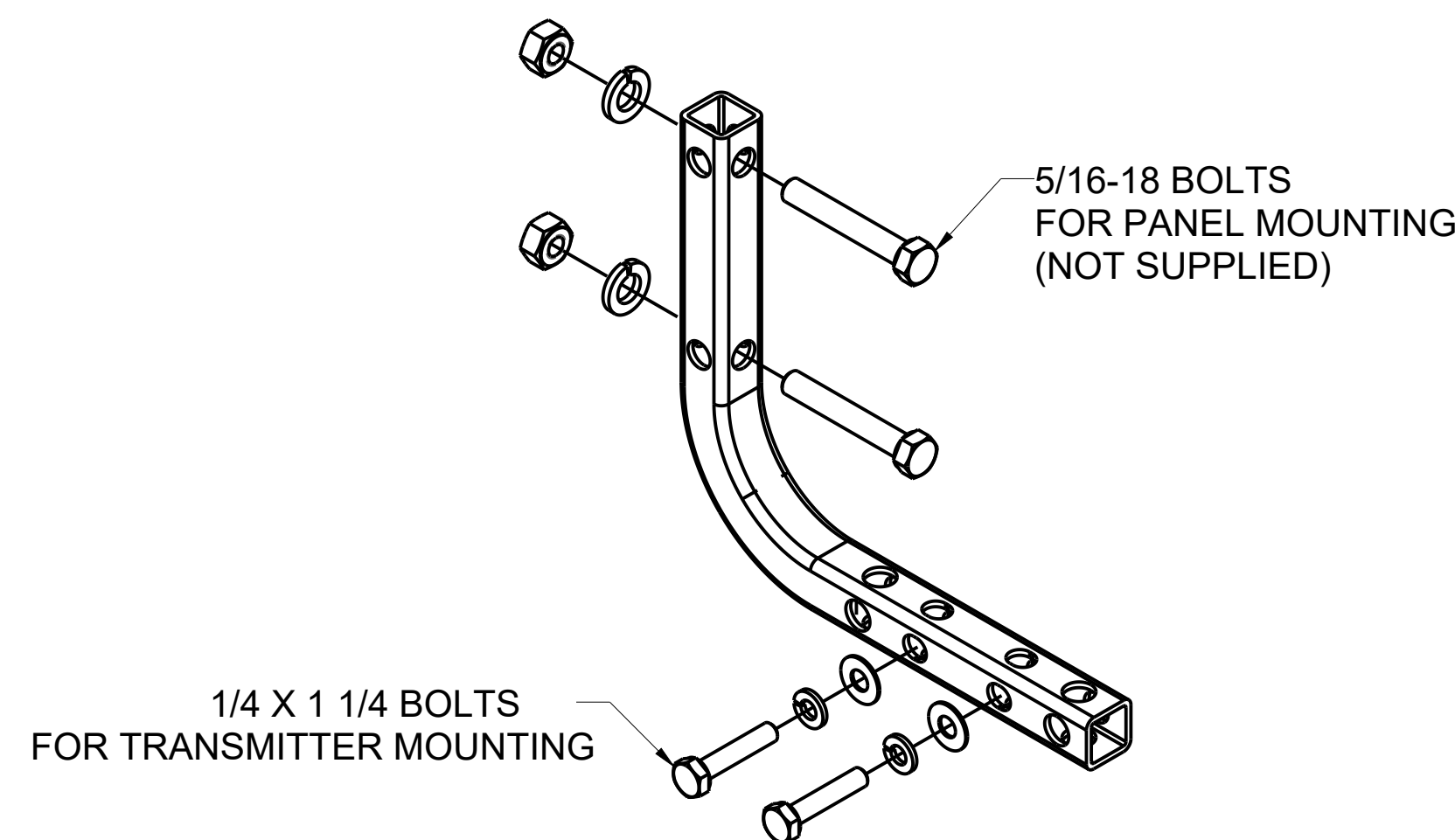
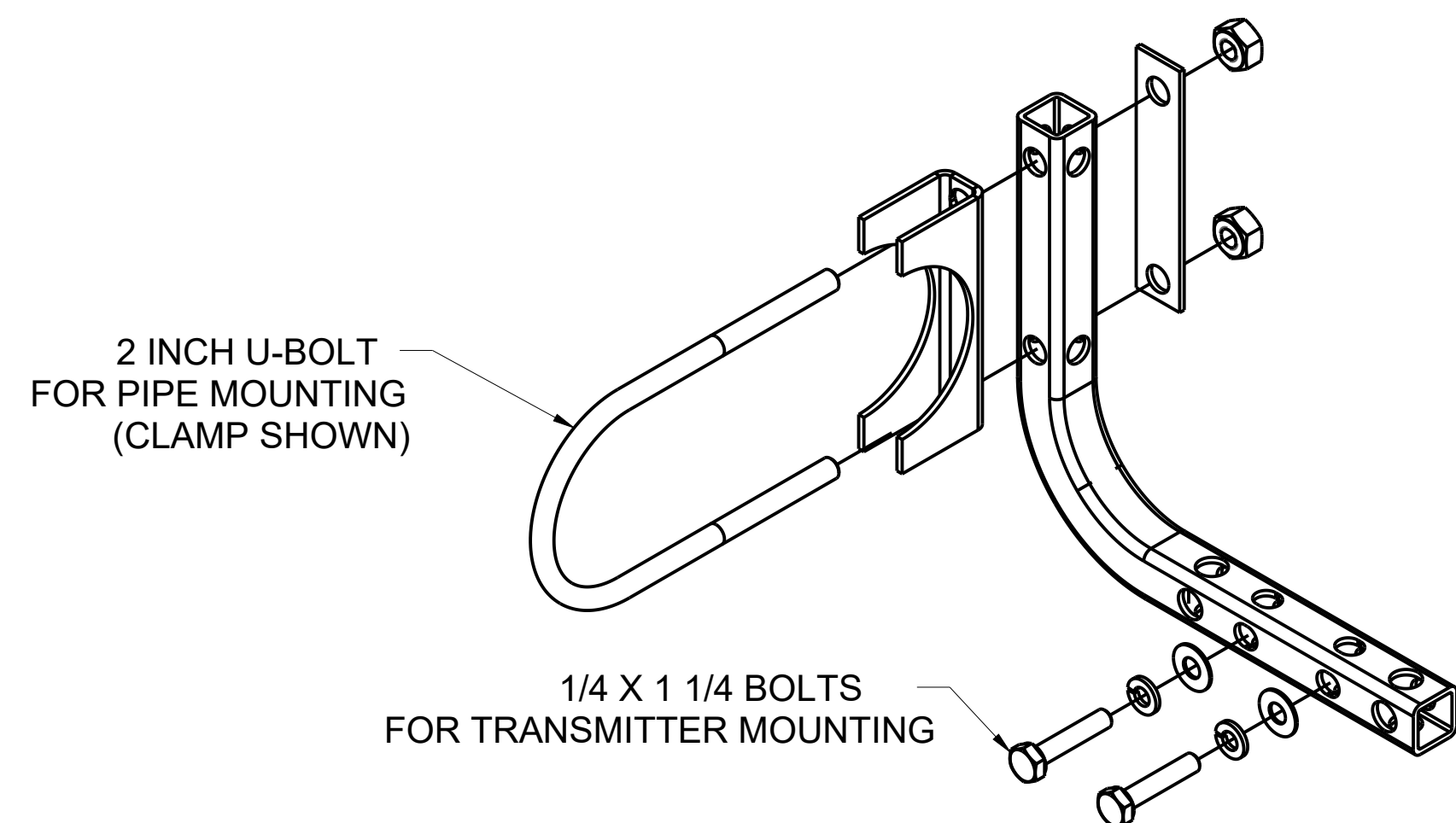
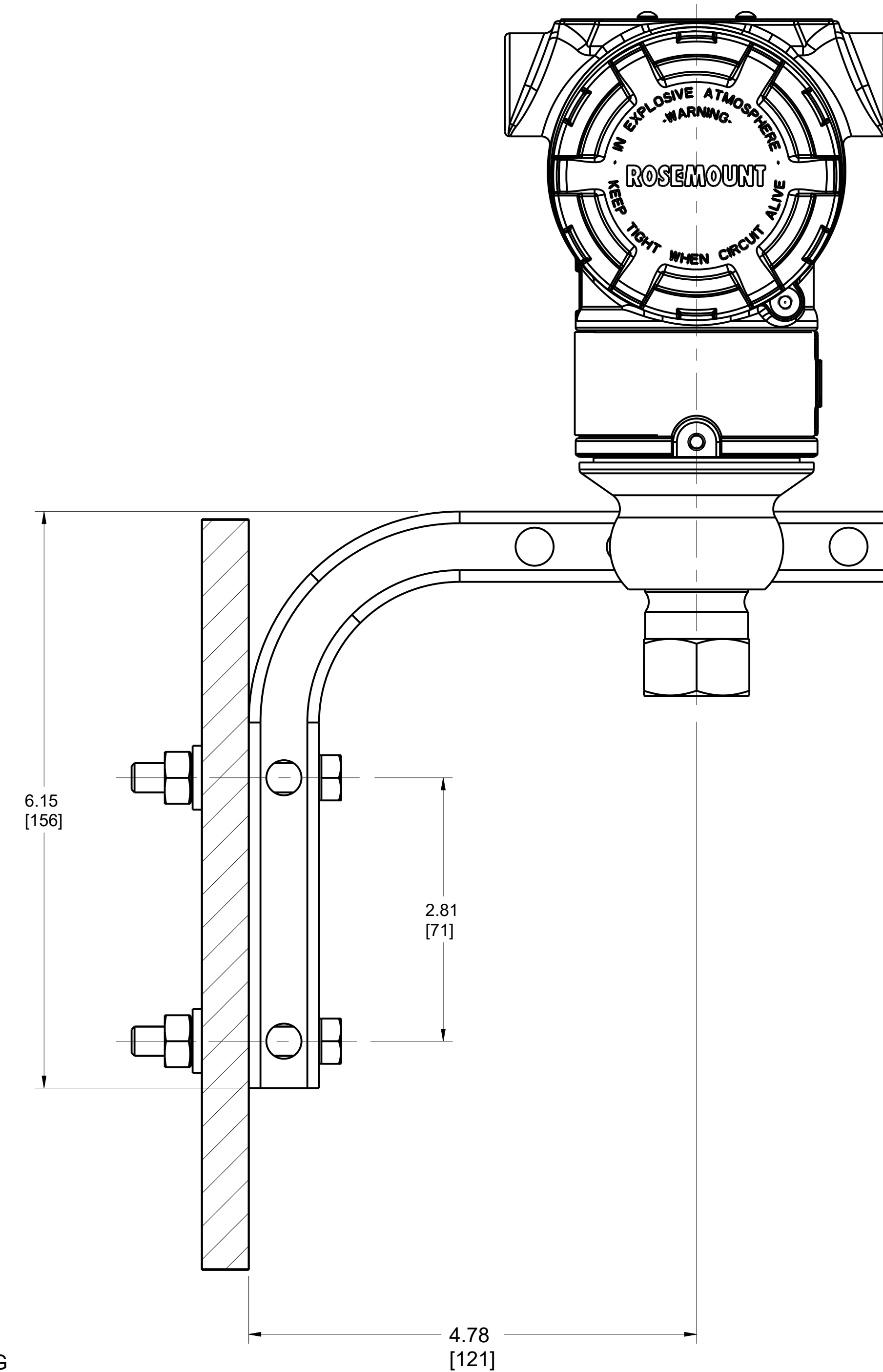
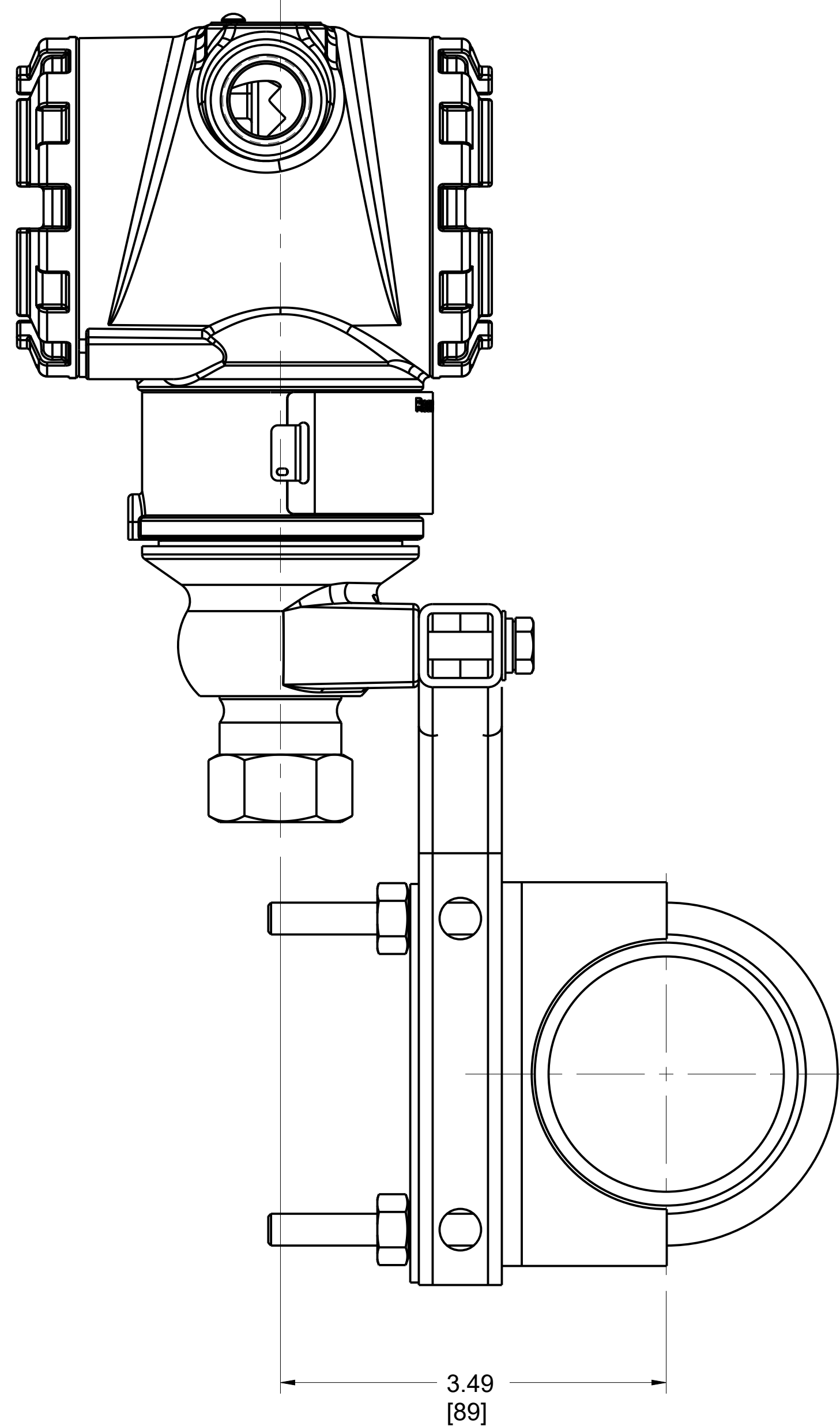
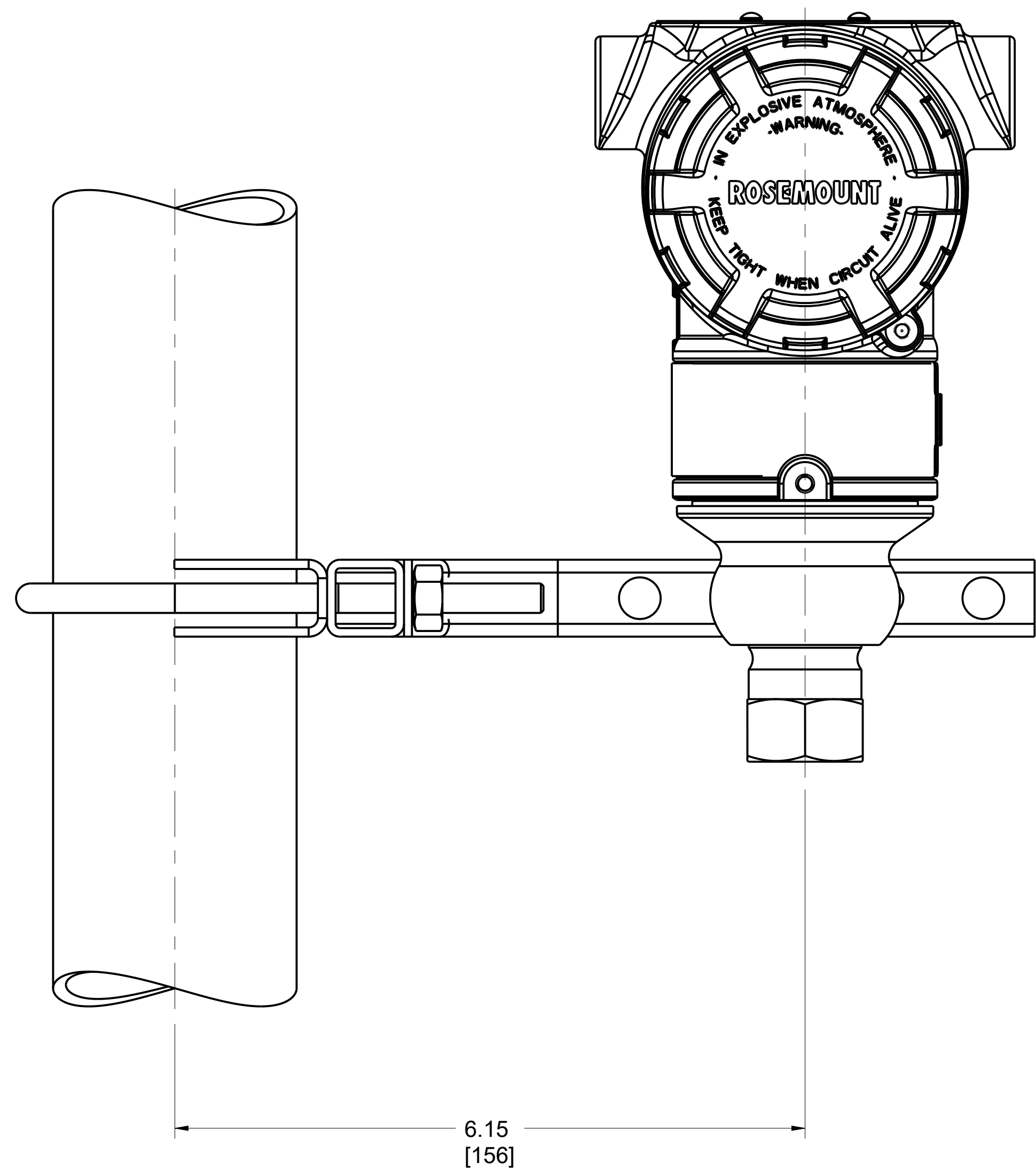


<p>©2015 ROSEMOUNT INC. ROSEMOUNT INC. CERTIFIES THIS DRAWING IS MADE IN ACCORDANCE WITH ROSEMOUNT ENGINEERING SPECIFICATIONS. UNIT NOTES IN INCHES (mm). REFERENCE ROSEMOUNT PRODUCT SPECIFICATIONS. CLICK HERE</p>	<p>3RD ANGLE</p>	<p>SIZE D</p>	<p>SCALE NTS</p>
	<p>EMERSON</p>		
	<p>TITLE ROSEMOUNT 3051T IN-LINE TYPE I DRAWING</p>		
	<p>DR. JLA 7/23/14</p>	<p>DRAWING NO. 03031-2097</p>	
<p>APP'D TOM WALLACE 7/23/14</p>			
<p>CAD MAINTAINED, (PROE)</p>		<p>SHEET 2 OF 6</p>	

ROSEMOUNT 3051T IN-LINE PRESSURE TRANSMITTER
MOUNTING CONFIGURATIONS WITH OPTIONAL MOUNTING BRACKET

PIPE MOUNTING

PANEL MOUNTING



©2015 ROSEMOUNT INC.
ROSEMOUNT INC. CERTIFIES
THIS DRAWING IS MADE
IN ACCORDANCE WITH
ROSEMOUNT ENGINEERING
SPECIFICATIONS.
UNIT NOTES IN INCHES (mm).
REFERENCE ROSEMOUNT
PRODUCT SPECIFICATIONS.
CLICK HERE

3RD ANGLE

EMERSON

TITLE ROSEMOUNT 3051T IN-LINE
TYPE I DRAWING

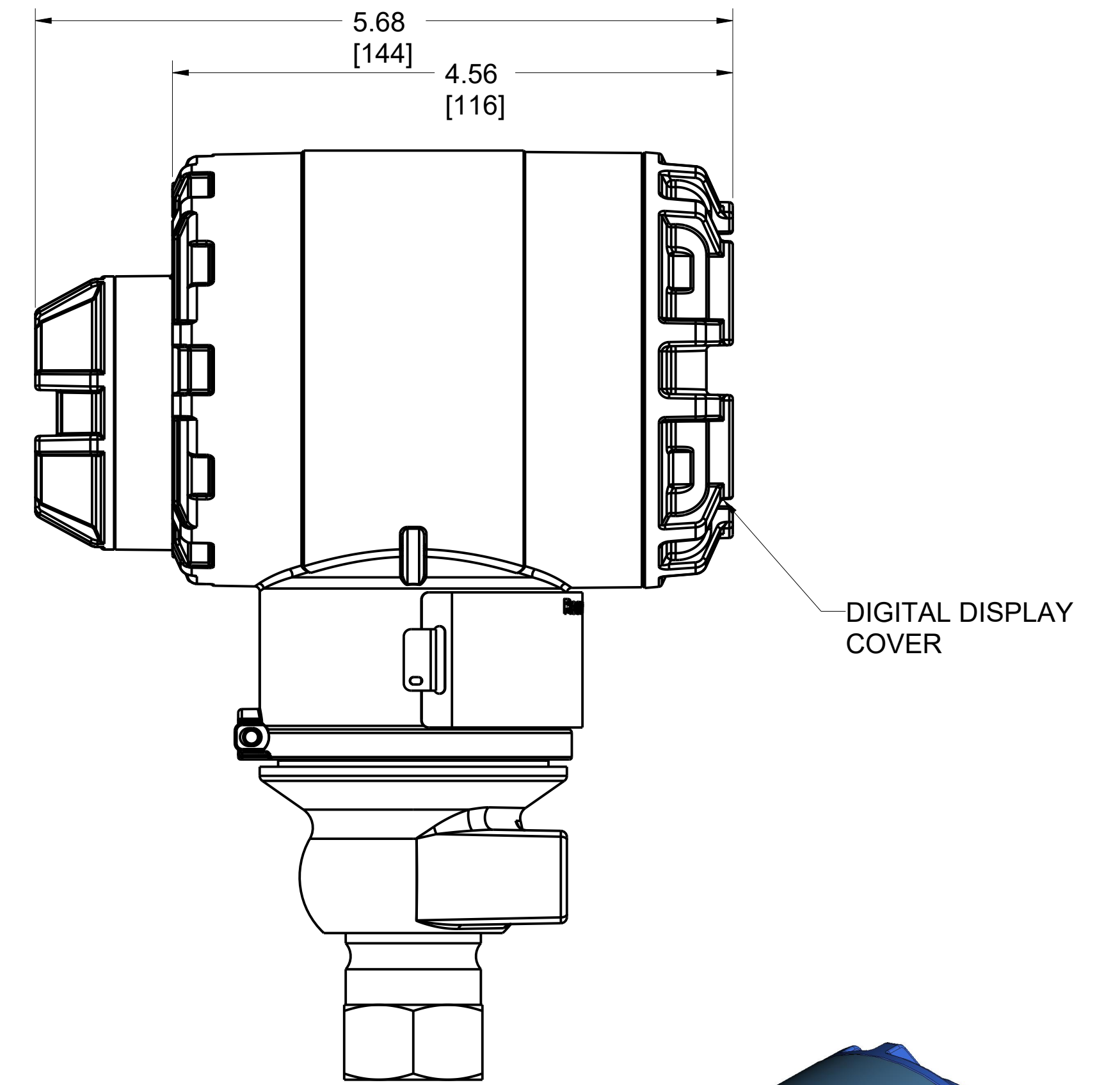
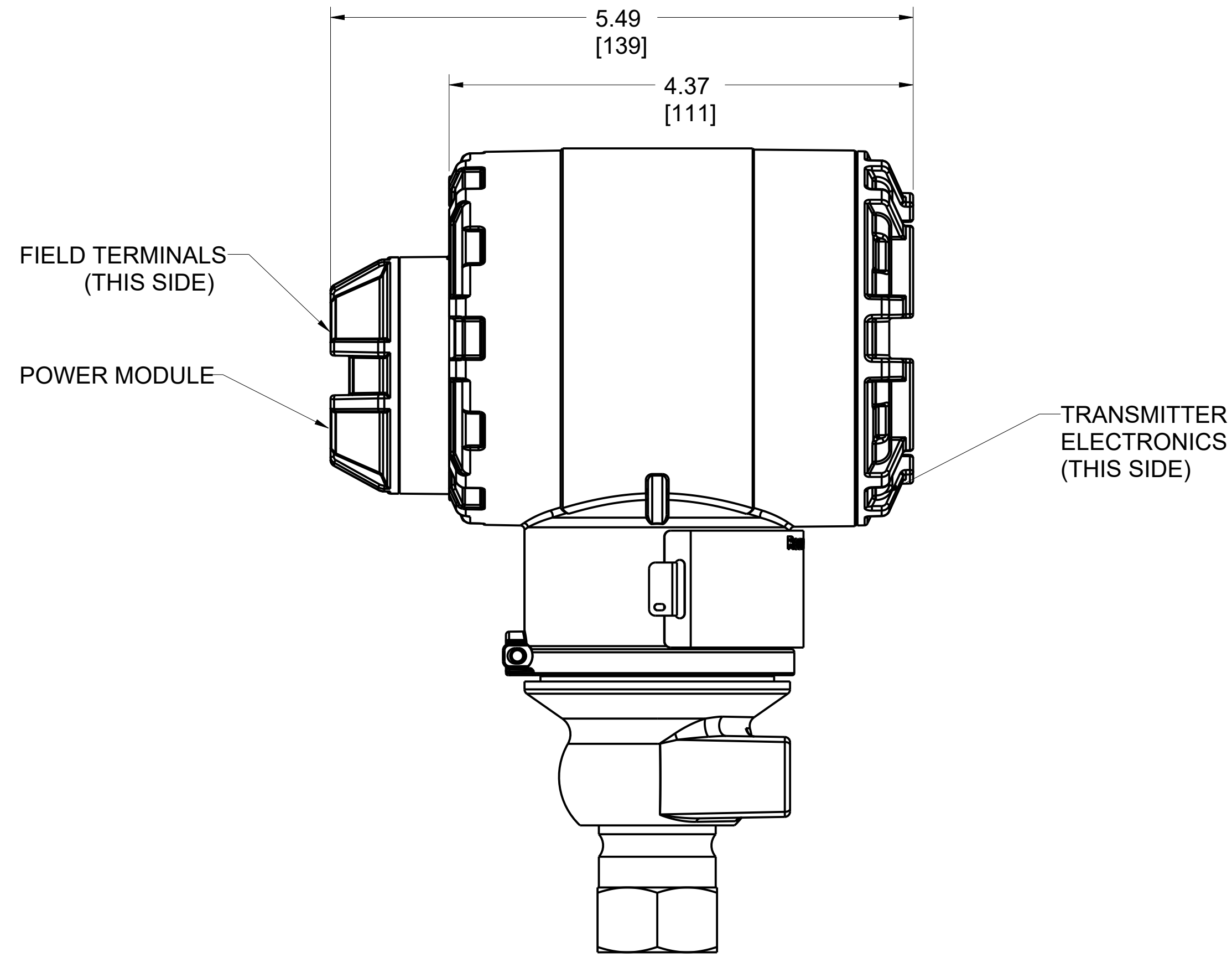
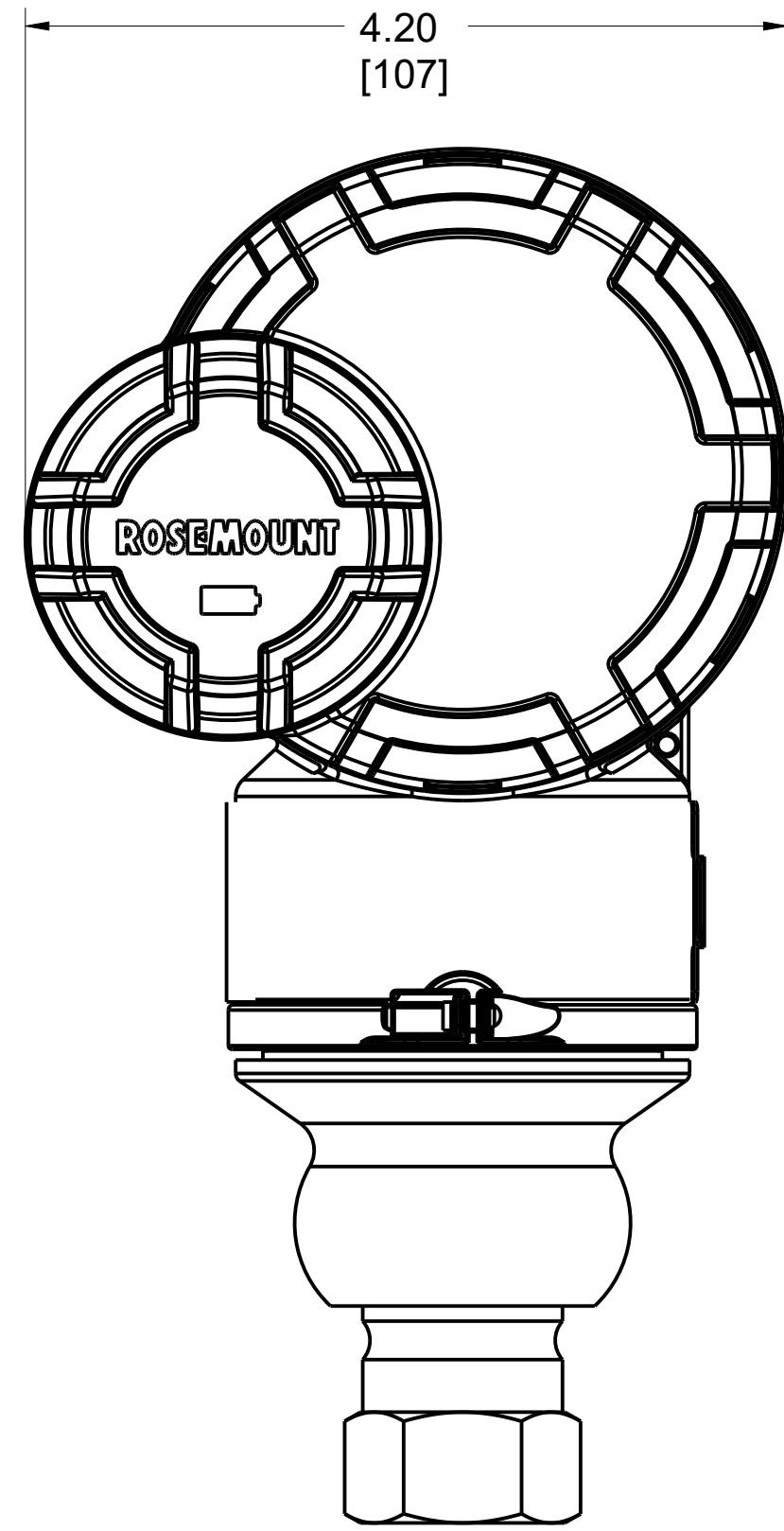
DR: JLA	7/23/14	DRAWING NO.	03031-2097
APP'D: TOM WALLACE	7/23/14		
CAD MAINTAINED, (PROE)		SHEET 3 OF 6	

SIZE D SCALE NTS

ROSEMOUNT 3051T WIRELESS IN-LINE PRESSURE TRANSMITTER

OUTPUT CODE X
POLYMER HOUSING

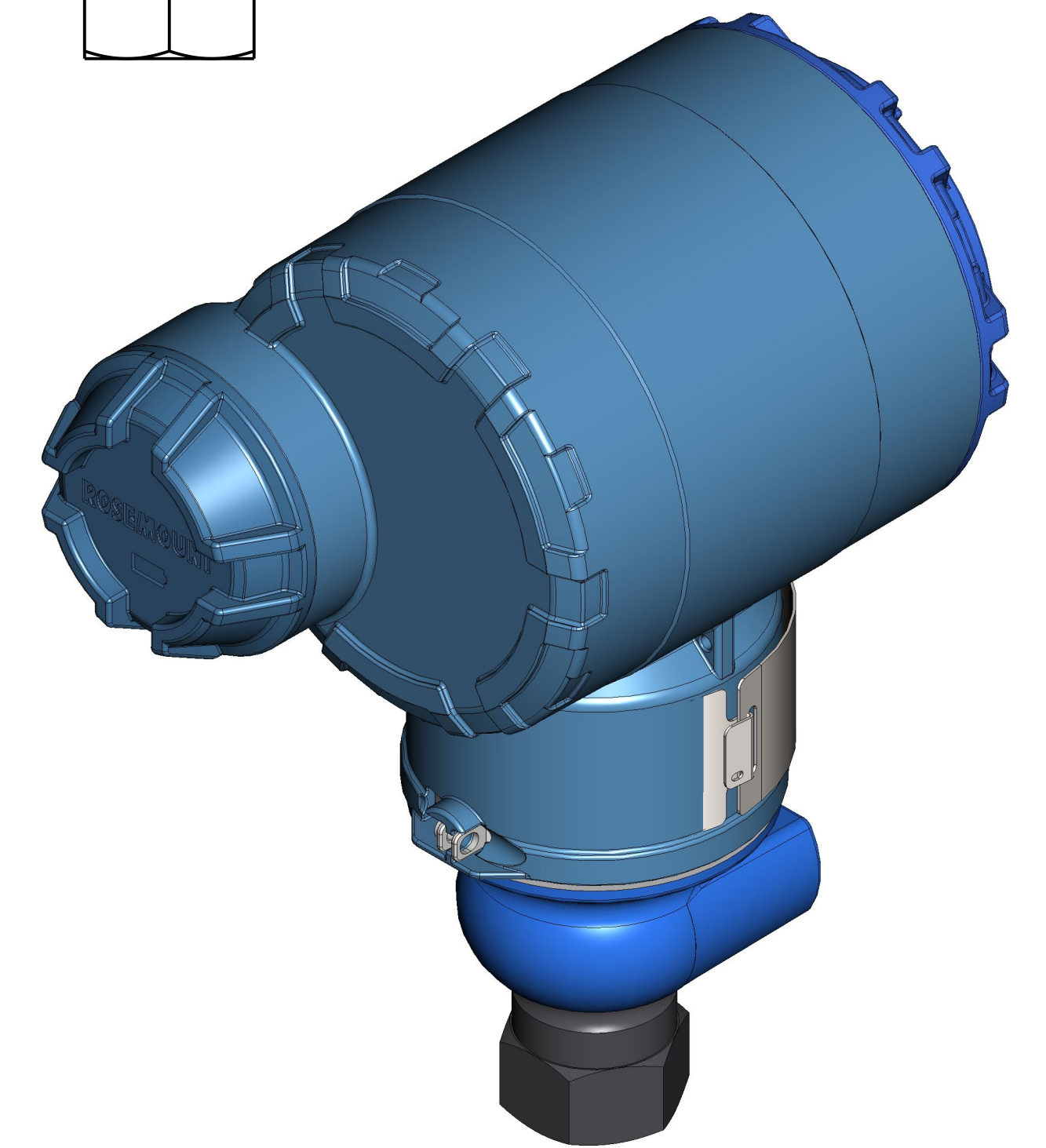
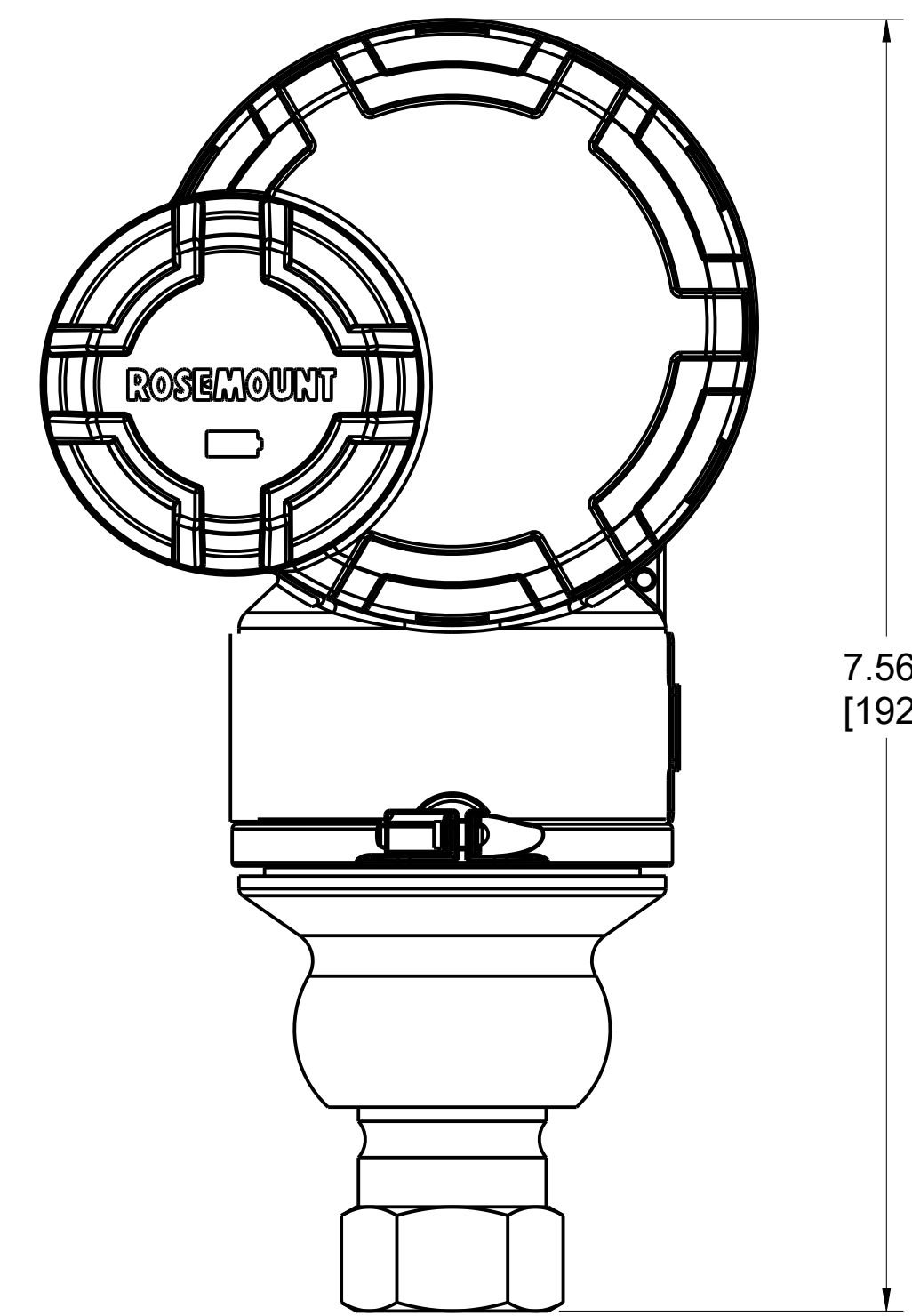
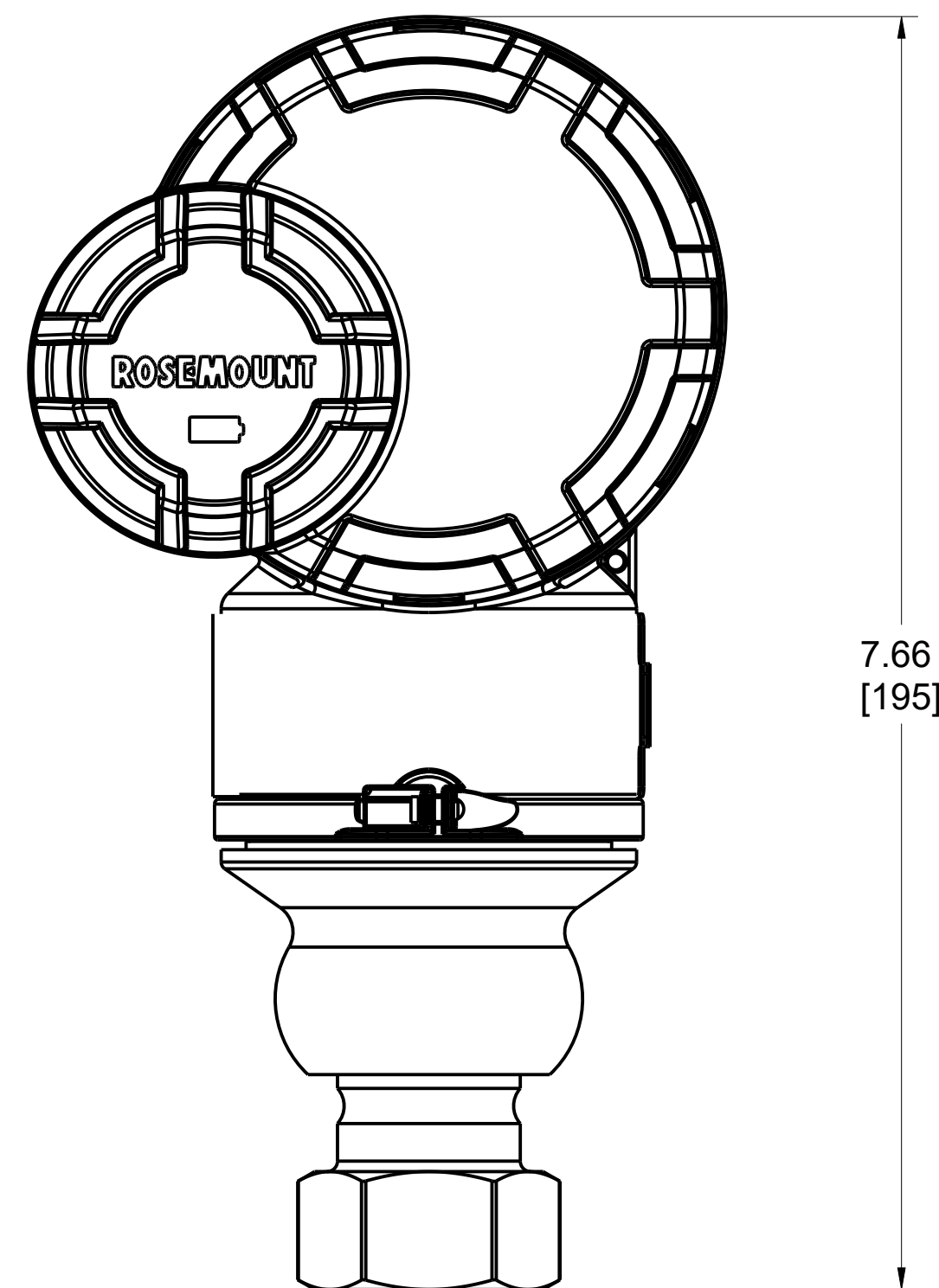
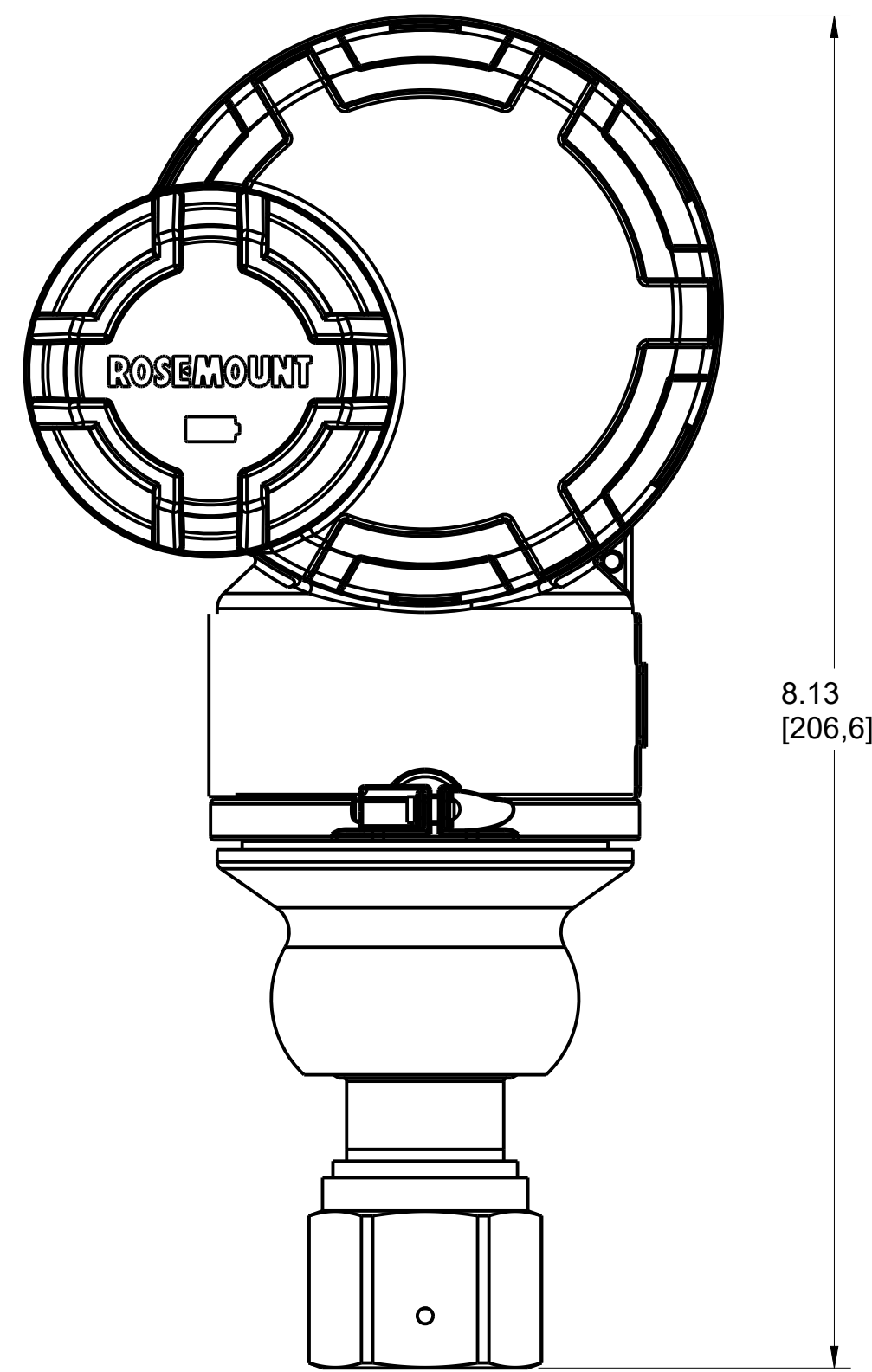
SHOWN WITH OPTIONAL DIGITAL DISPLAY



PRESSURE RANGE OPTION 6

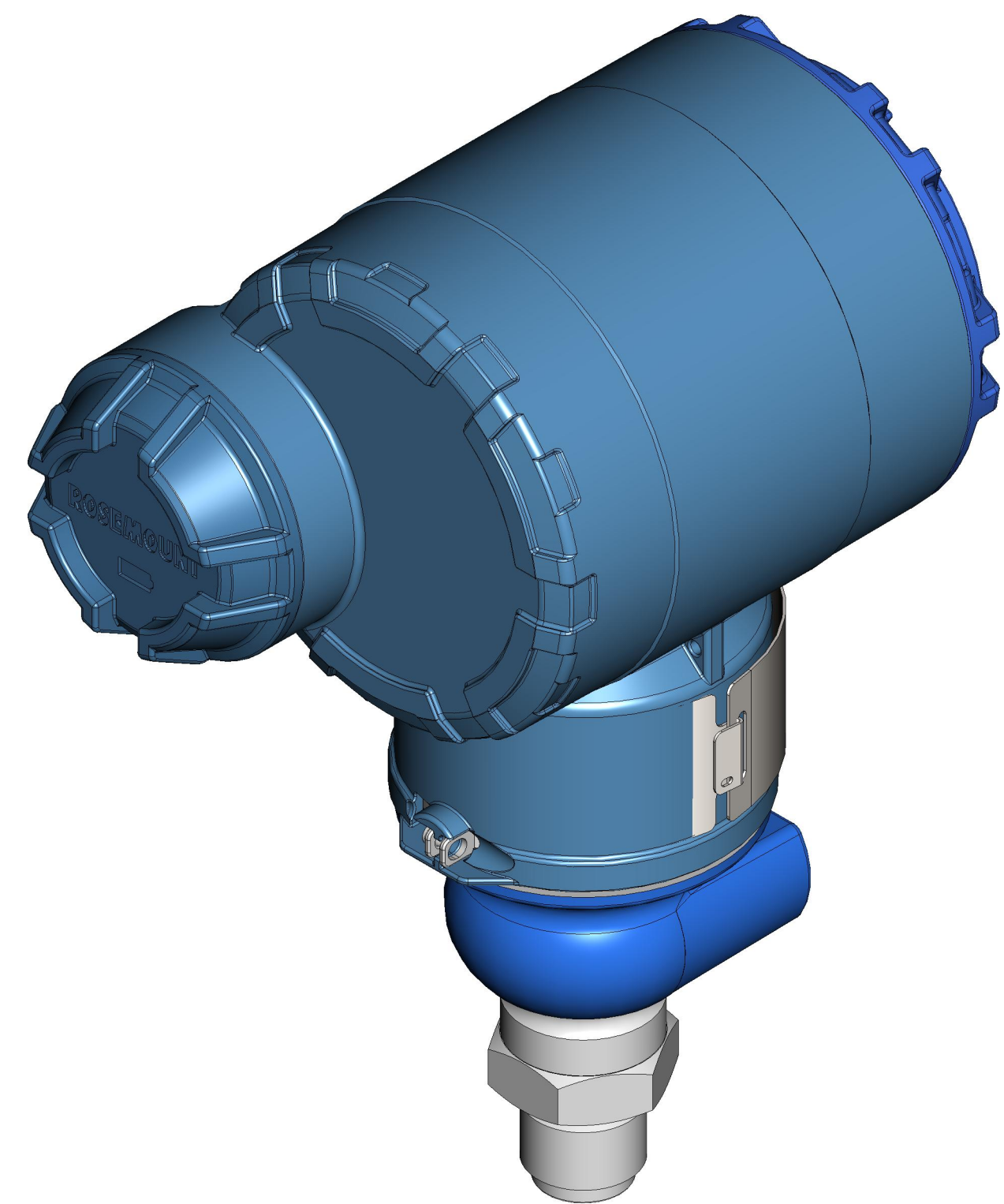
PRESSURE RANGE OPTION 5

PRESSURE RANGE OPTION 1-4

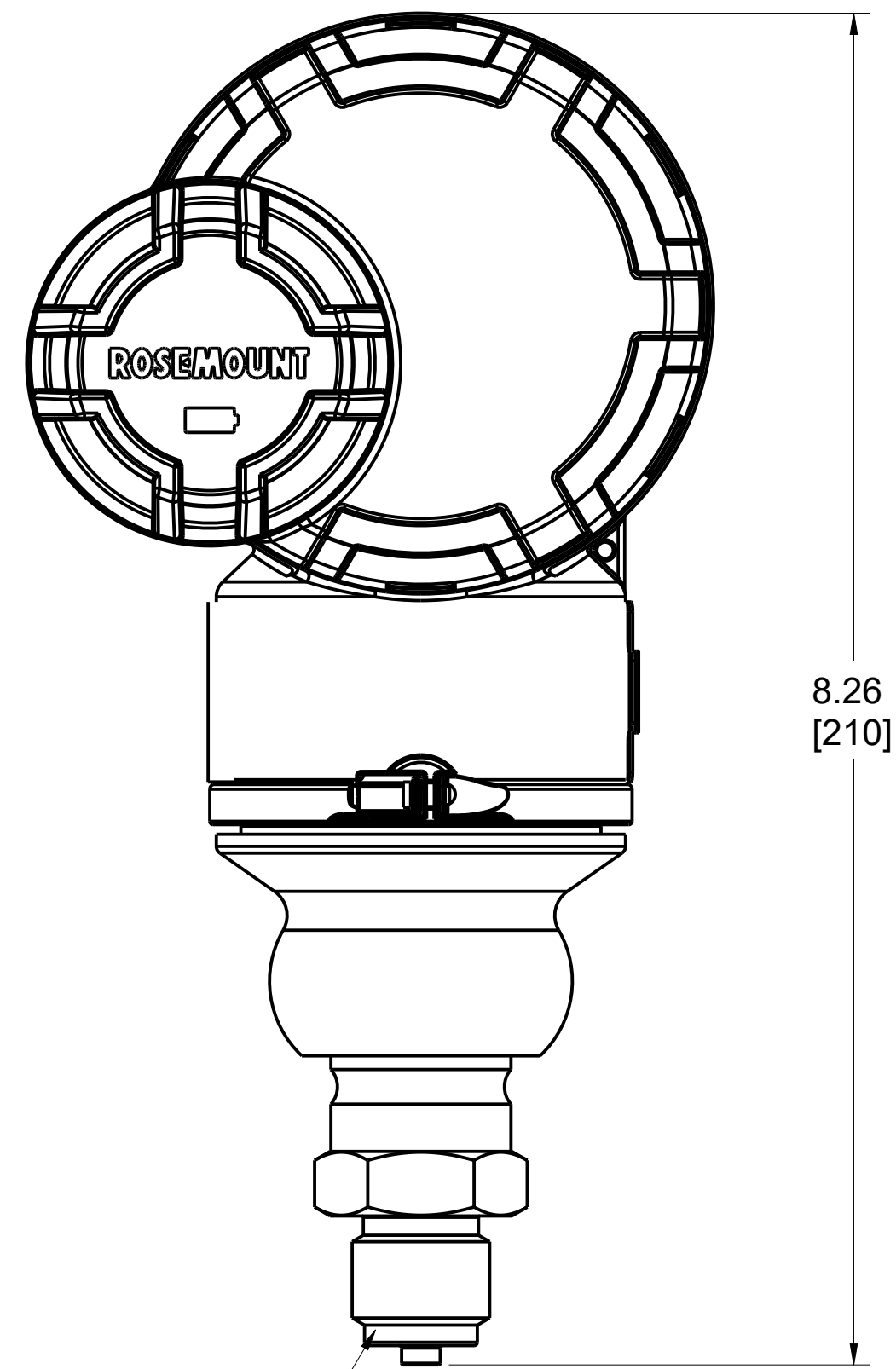


©2015 ROSEMOUNT INC. ROSEMOUNT INC. CERTIFIES THIS DRAWING TO BE IN ACCORDANCE WITH ROSEMOUNT ENGINEERING SPECIFICATIONS. UNIT NOTES IN INCHES (mm). REFERENCE ROSEMOUNT PRODUCT SPECIFICATIONS. CLICK HERE	3RD ANGLE		SIZE D	SCALE NTS
	EMERSON			
	TITLE ROSEMOUNT 3051T IN-LINE TYPE I DRAWING			
	DR. JLA 7/23/14 APP'D TOM WALLACE 7/23/14	DRAWING NO. 03031-2097		
CAD MAINTAINED, (PROE)			SHEET 4 OF 6	

ROSEMOUNT 3051T WIRELESS IN-LINE PRESSURE TRANSMITTER



G 1/2 A DIN 16288 MALE
PROCESS CONNECTION

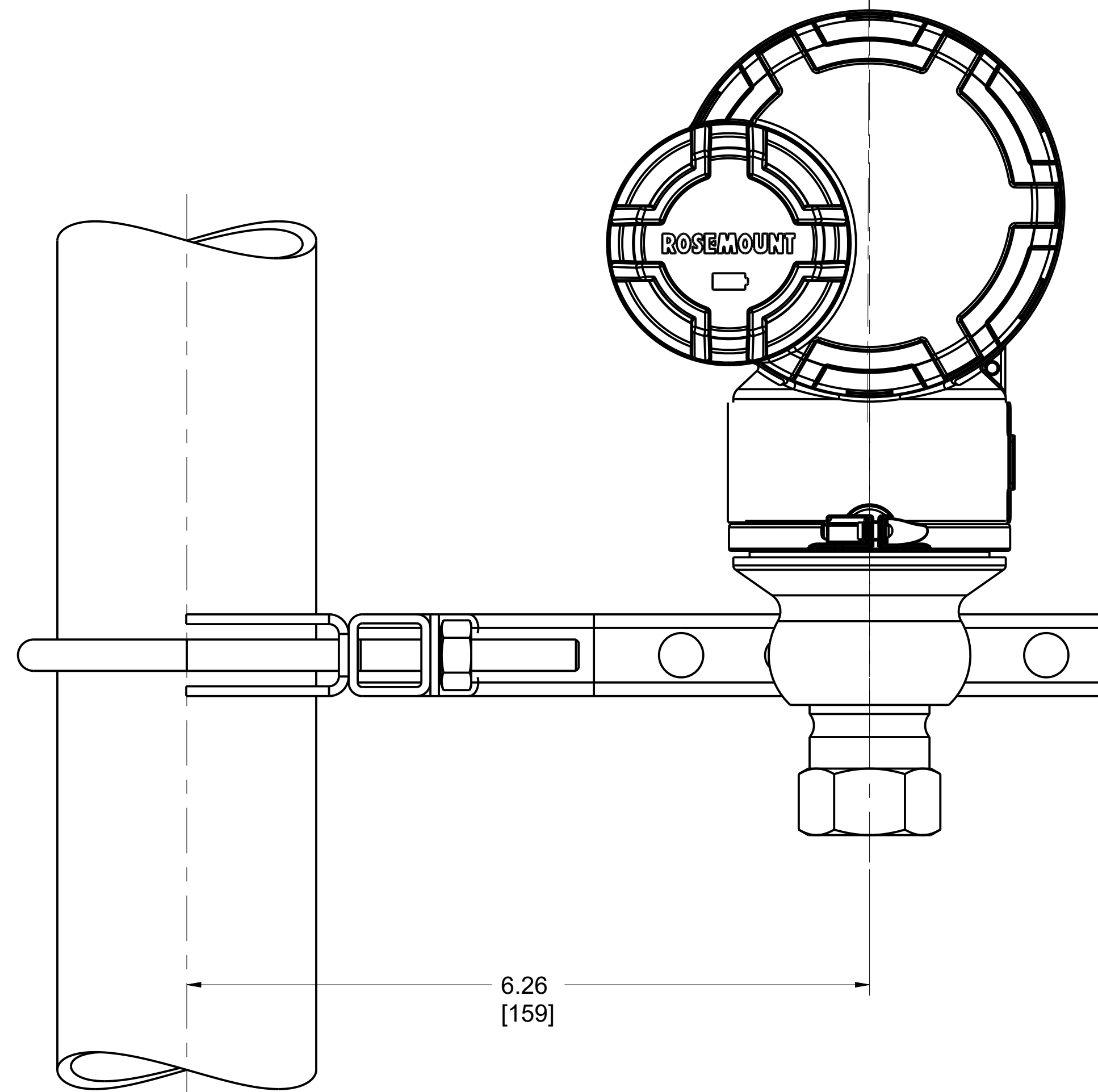


G 1/2 A DIN 16288 MALE

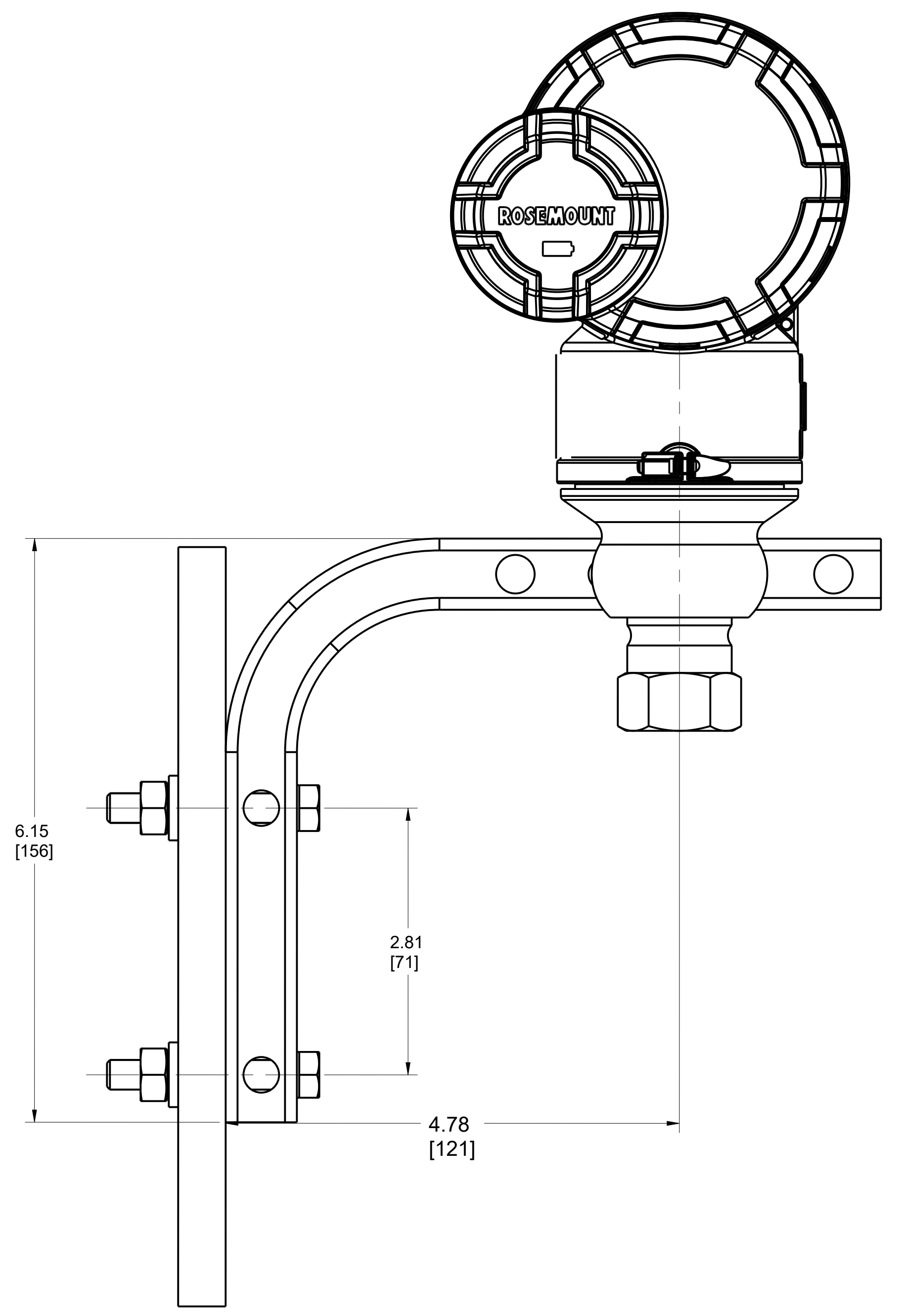
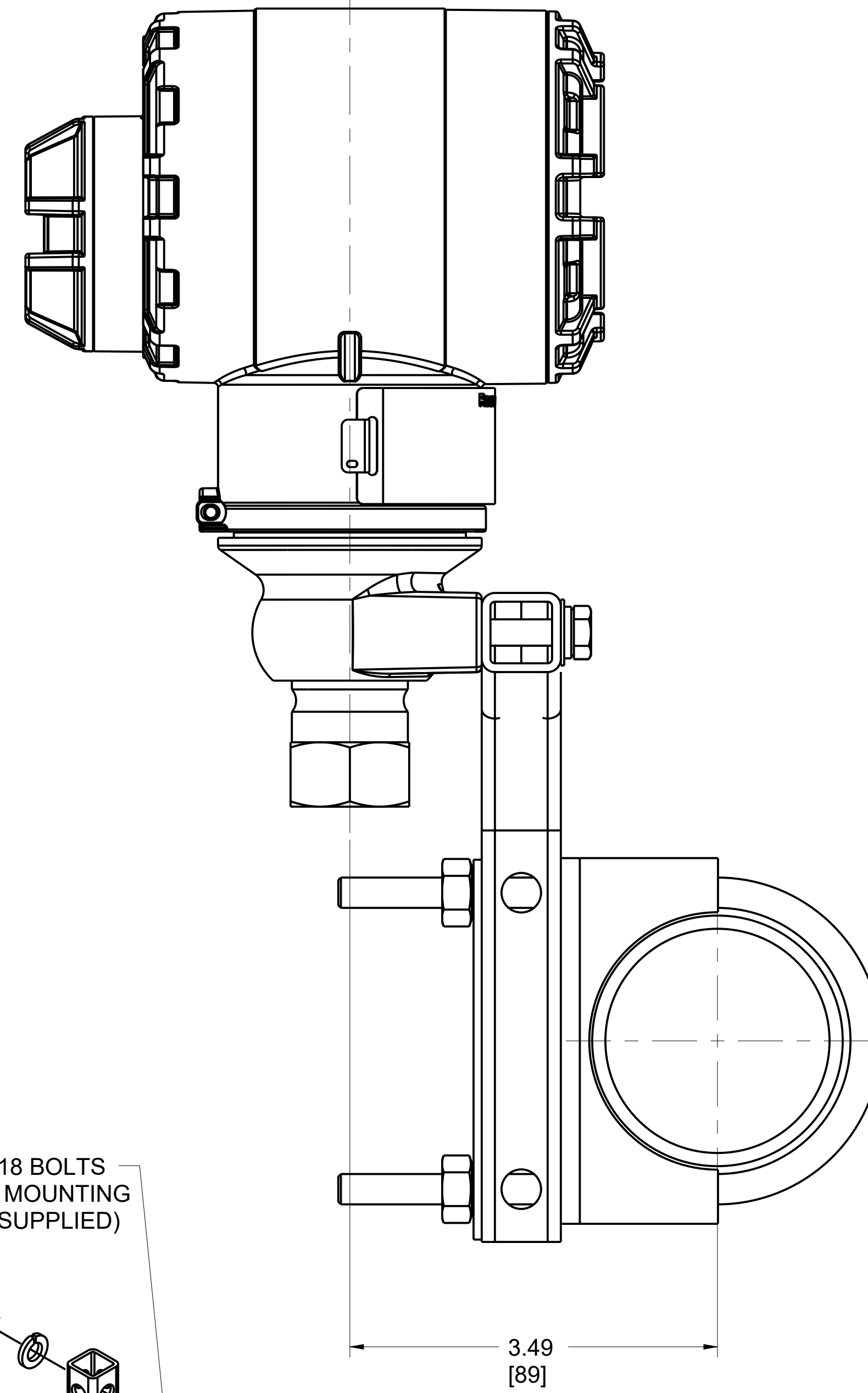
©2015 ROSEMOUNT INC. ROSEMOUNT INC. CERTIFIES THIS DRAWING IS IN ACCORDANCE WITH ROSEMOUNT ENGINEERING SPECIFICATIONS. UNIT NOTES IN INCHES (mm). REFERENCE ROSEMOUNT PRODUCT SPECIFICATIONS. CLICK HERE	3RD ANGLE	SIZE D	SCALE NTS
	TITLE ROSEMOUNT 3051T IN-LINE TYPE I DRAWING		
	DR. JLA 7/23/14	DRAWING NO. 03031-2097	
APP'D TOM WALLACE 7/23/14			
CAD MAINTAINED, (PROE)		SHEET 5 OF 6	

ROSEMOUNT 3051T WIRELESS IN-LINE PRESSURE TRANSMITTER
MOUNTING CONFIGURATIONS WITH OPTIONAL MOUNTING BRACKET

PIPE MOUNTING



PANEL MOUNTING



2 INCH U-BOLT
FOR PIPE MOUNTING
(CLAMP SHOWN)

1/4 X 1 1/4 BOLTS
FOR TRANSMITTER MOUNTING

5/16-18 BOLTS
FOR PANEL MOUNTING
(NOT SUPPLIED)

1/4 X 1 1/4 BOLTS
FOR TRANSMITTER MOUNTING

©2015 ROSEMOUNT INC.
ROSEMOUNT INC. CERTIFIES
THIS DRAWING IS MADE
IN ACCORDANCE WITH
ROSEMOUNT ENGINEERING
SPECIFICATIONS.
UNIT NOTES IN INCHES (mm).

EMERSON

TITLE
ROSEMOUNT 3051T IN-LINE
TYPE I DRAWING

DR. JLA 7/23/14 DRAWING NO. 03031-2097

APP'D TOM WALLACE 7/23/14

CAD MAINTAINED, (PROE) SHEET 6 OF 6

3RD ANGLE

SIZE D SCALE NTS

REFERENCE ROSEMOUNT
PRODUCT SPECIFICATIONS.
CLICK HERE