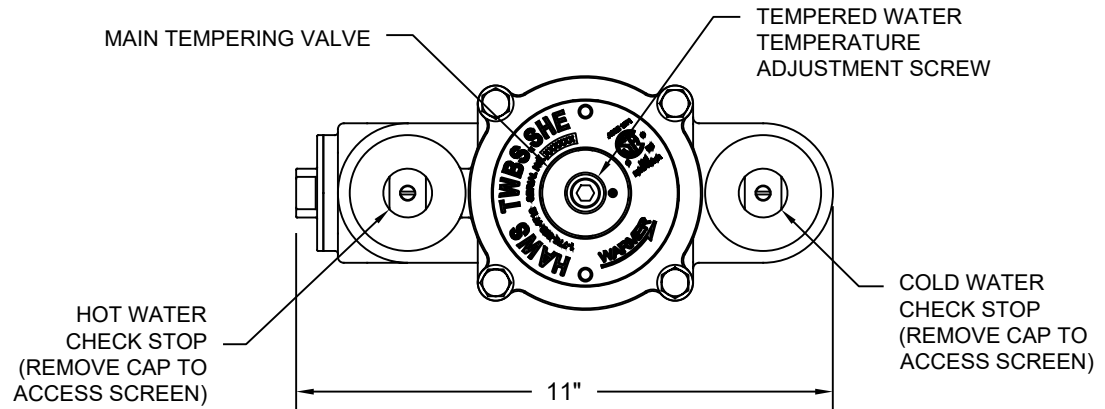
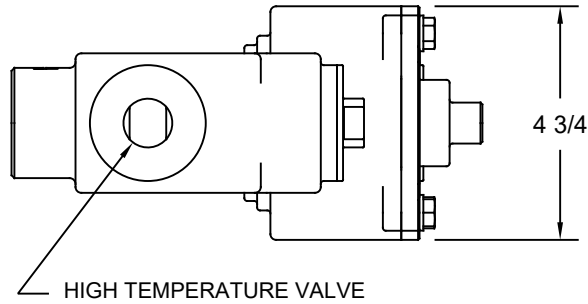
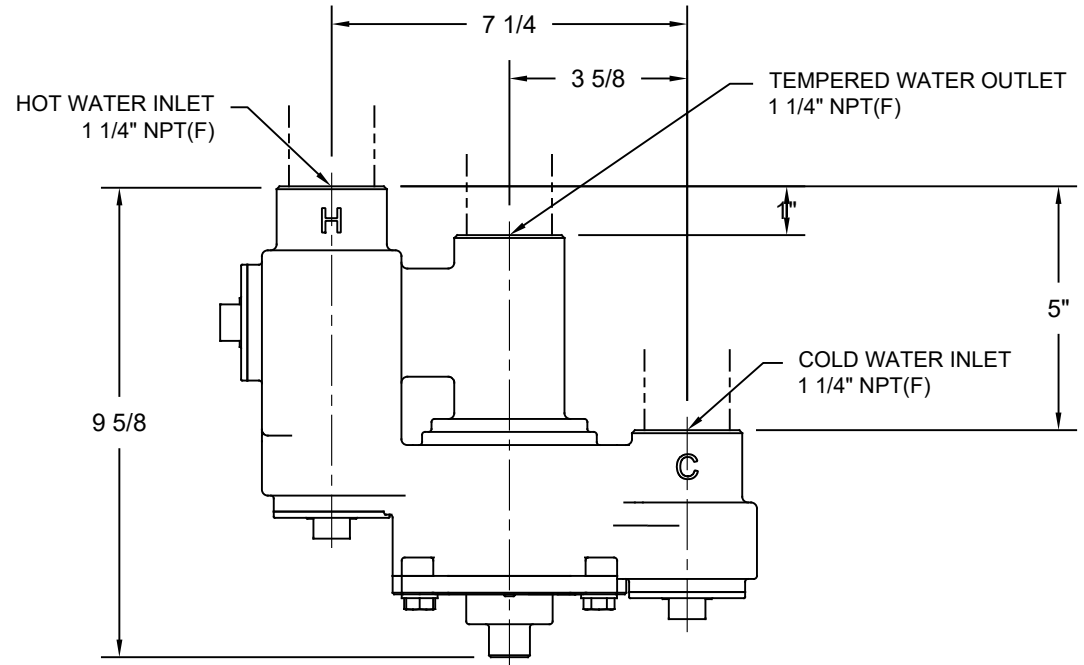



THIS DOCUMENT IS TRUE AND CORRECT AT TIME OF PUBLICATION. CONTINUED PRODUCT IMPROVEMENTS MAKE SPECIFICATIONS AND MEASUREMENTS SUBJECT TO CHANGE WITHOUT NOTICE.



		<b>Haws</b> <sup>®</sup>		1455 KLEPPE LANE SPARKS, NEVADA 89431 (775) 359-4712 FAX (775) 359-7424 E-MAIL: HAWS@HAWS.CO.COM WEBSITE: WWW.HAWS.CO.COM	
				ECN NO. 4396 DRAWN: VWC APPROVED: DP	REVISED PER: ECN: 5431 DATE: 8-13-10 DATE: 08/29/19
SCALE: 1:4		DRAWING TYPE: INSTALLATION		SIZE: A SHEET 1 OF 1	