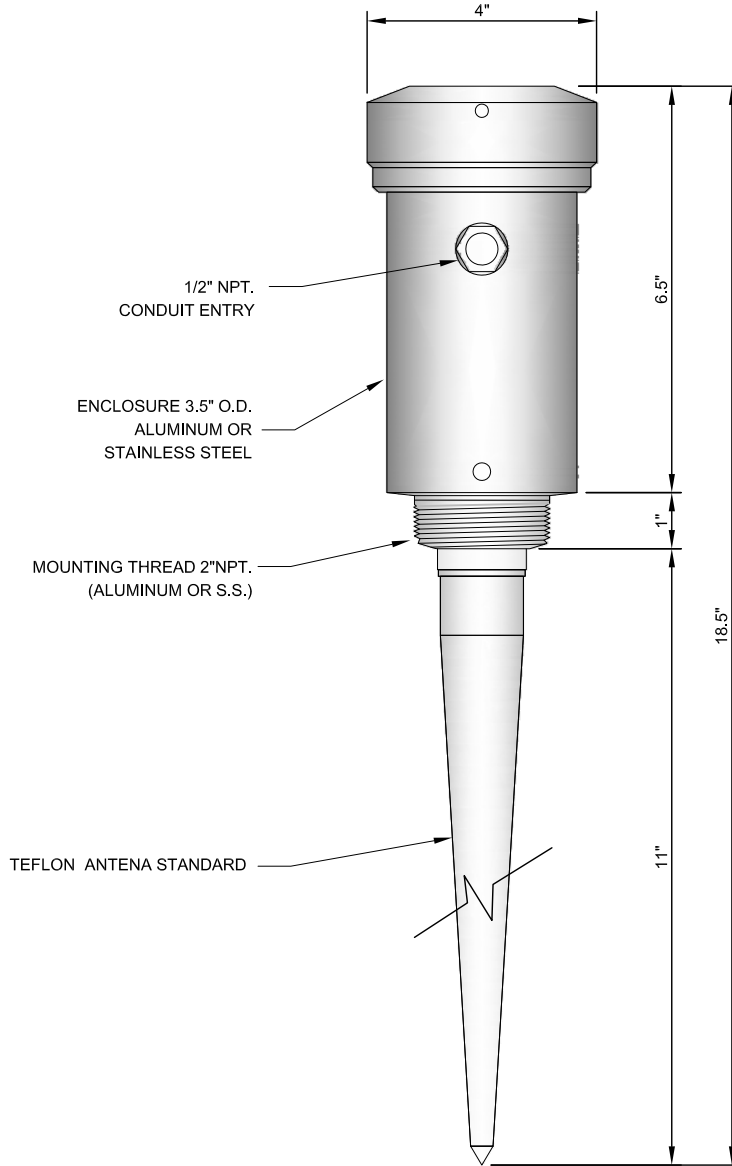


PULSED RADAR LEVEL TRANSMITTER



NOTES	TAGS	SERVICE CONDITIONS
	_____ _____ _____ _____	WORKING PRESS.: _____ MAXIMUM PRESS.: _____ WORKING TEMP.: _____ MAXIMUM PRESS.: _____ SPECIFIC GRAVITY.: _____

CUSTOMER : _____	MODEL: _____
QUOTE : _____	LINE ITEM: _____ QTY: _____ DRWN BY: _____ DATE: _____ CHK BY: _____
P.O. : _____	APPROVED BY: _____ DATE: _____ SCALE: _____
S.O. : _____	CERTIFIED BY: _____ DATE: _____ REV: _____
DESCRIPTION : _____	DRAWING N.O. : _____

FOR REFERENCE ONLY UNLESS CERTIFIED BY BABBITT