

CONNECTION	STANDARD LENGTH	MIN LENGTH E (M)	MAX LENGTH E (M)
TRI CLAMP	1.7" (44mm)	4.13" (105mm)	157.5" (4000mm)
O" RING SEAL (1" BSPP)	1.7" (44mm)	—	—
O" RING SEAL (1" BSPP) HAND POLISH <0.4Ra	1.7" (44mm)	—	—

© ROSEMOUNT MEASUREMENT LIMITED 2017  
 THE REPRODUCTION, DISTRIBUTION & UTILISATION OF THIS DOCUMENT AS WELL AS THE COMMUNICATION OF ITS CONTENTS TO OTHERS WITHOUT EXPRESS AUTHORISATION IS PROHIBITED. OFFENDERS WILL BE HELD LIABLE FOR THE PAYMENT OF DAMAGES. ALL RIGHTS RESERVED IN THE EVENT OF GRANT OF PATENT, UTILITY MODEL OR DESIGN.

DIMENSIONS IN MILLIMETRES UNLESS OTHERWISE STATED

PROJECTION

MODEL



AA	TAG Nos:
REV	

CUSTOMER:	
CUSTOMER PO #	
RML SO #	
EMERSON SO #	
CERTIFIED:	DATE:

PRINT MAY NOT BE TO SCALE STATED. IF IN DOUBT ABOUT DIMENSIONS THEN ASK. TO BS8888

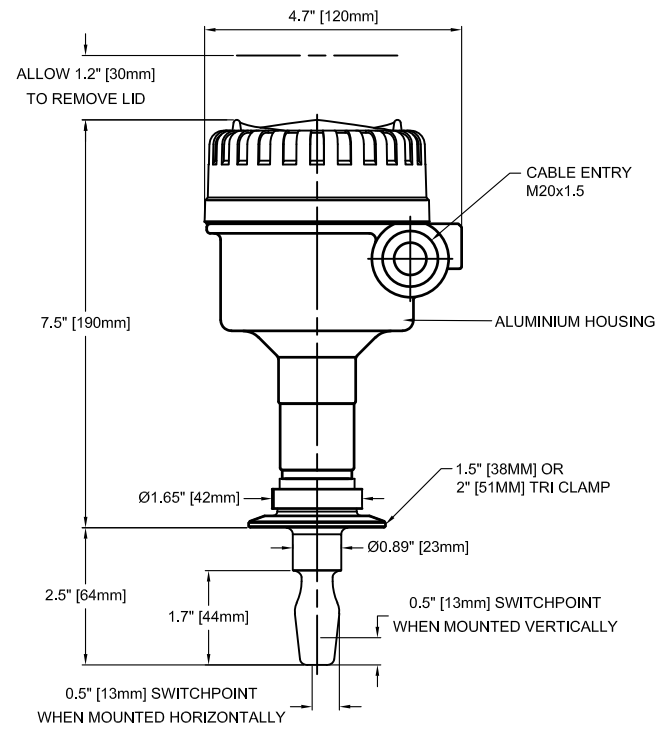
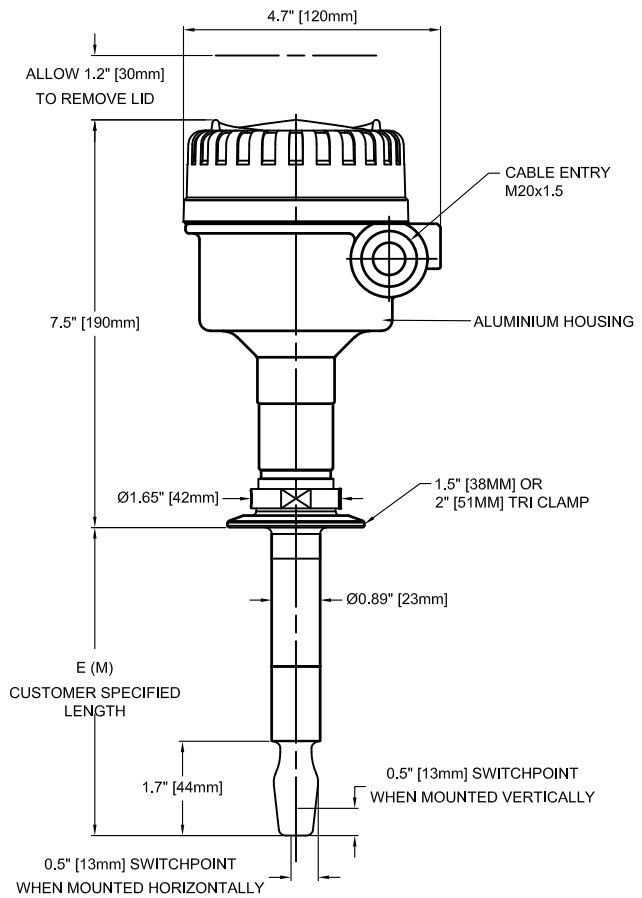
TITLE  
**DRG, TYPE 1, 2130M HYGIENIC**

A3 AutoCAD

SCALE 1:2.5  
 DRAWN GP

DATE 07/04/10

DRG. NO. 02130-1004  
 SHEET 1 of 2



CONNECTION	STANDARD LENGTH	MIN LENGTH E (M)	MAX LENGTH E (M)
TRI CLAMP (HAND POLISHED <0.4Ra)	1.7" (44mm)	4.13" (105mm)	39.4" (1000mm)
TRI CLAMP, HYGIENICALLY APPROVED (MACHINE FINISH <0.8Ra)	1.7" (44mm)	4.13" (105mm)	39.4" (1000mm)
TRI CLAMP, HYGIENICALLY APPROVED (MECHANICAL POLISHED <0.1Ra)	1.7" (44mm)	4.13" (105mm)	39.4" (1000mm)
TRI CLAMP, HYGIENICALLY APPROVED (ELECTRO POLISHED <0.1Ra)	1.7" (44mm)	4.13" (105mm)	39.4" (1000mm)
TRI CLAMP, HYGIENICALLY APPROVED (ELECTRO POLISHED <0.8Ra)	1.7" (44mm)	4.13" (105mm)	39.4" (1000mm)

© ROSEMOUNT MEASUREMENT LIMITED 2017  
 THE REPRODUCTION, DISTRIBUTION & UTILISATION OF THIS DOCUMENT  
 AS WELL AS THE COMMUNICATION OF ITS CONTENTS TO OTHERS WITHOUT  
 EXPRESS AUTHORIZATION IS PROHIBITED. OFFENDERS WILL BE HELD  
 LIABLE FOR THE PAYMENT OF DAMAGES. ALL RIGHTS RESERVED IN  
 THE EVENT OF GRANT OF PATENT, UTILITY MODEL OR DESIGN.

AA	TAG Nos:
REV	

DIMENSIONS IN MILLIMETRES UNLESS OTHERWISE STATED	
CUSTOMER:	
CUSTOMER PO #	
RML SO #	
EMERSON SO #	
CERTIFIED:	DATE:

PROJECTION

MODEL

PRINT MAY NOT BE TO SCALE STATED. IF IN DOUBT ABOUT DIMENSIONS THEN ASK. TO BS8888

A3 AutoCAD

TITLE	
DRG, TYPE 1, 2130M HYGIENIC	
SCALE	DRAWN
1:2.5	GP
DATE	DRG. NO.
07/04/10	02130-1004

SHEET 2 of 2