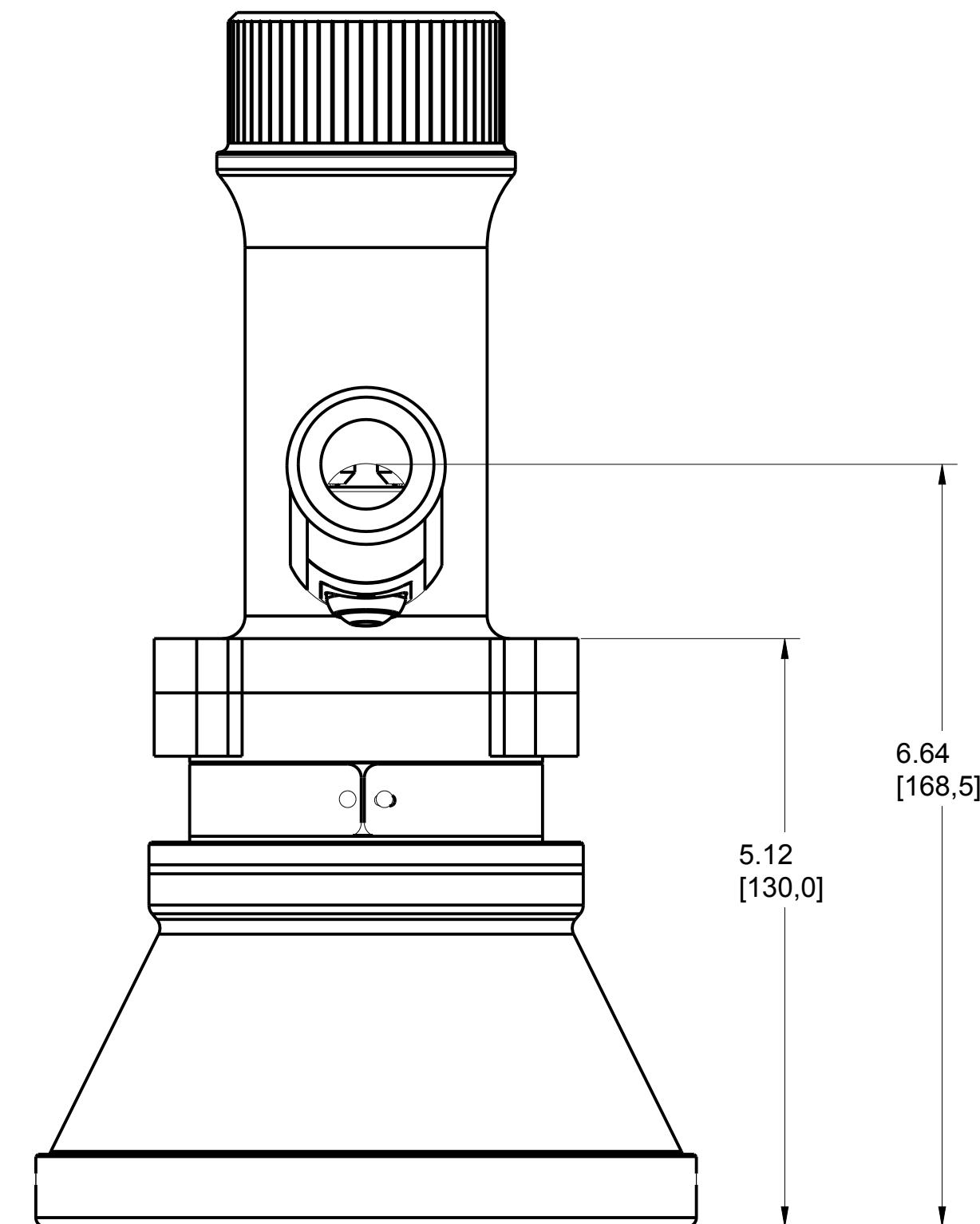
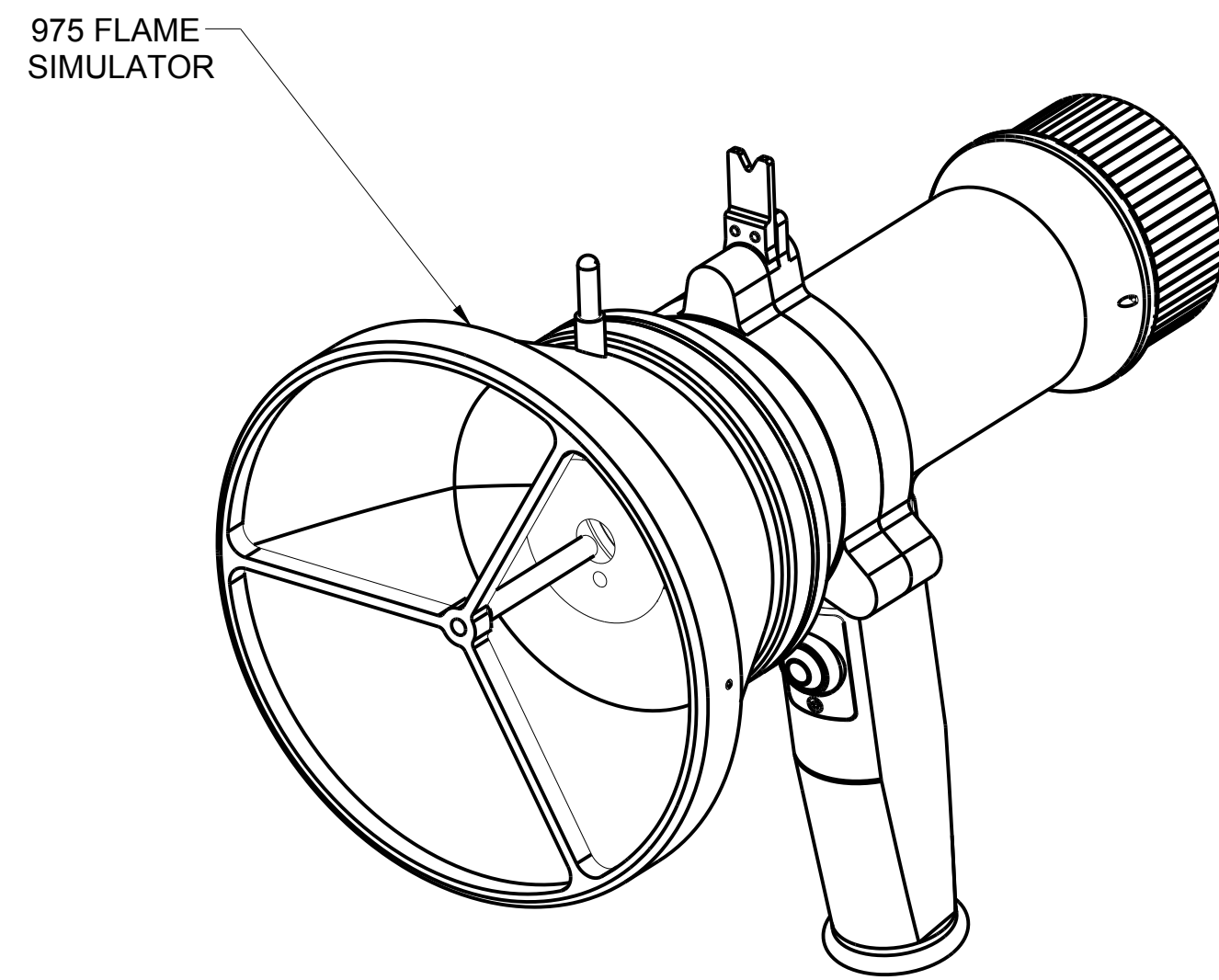
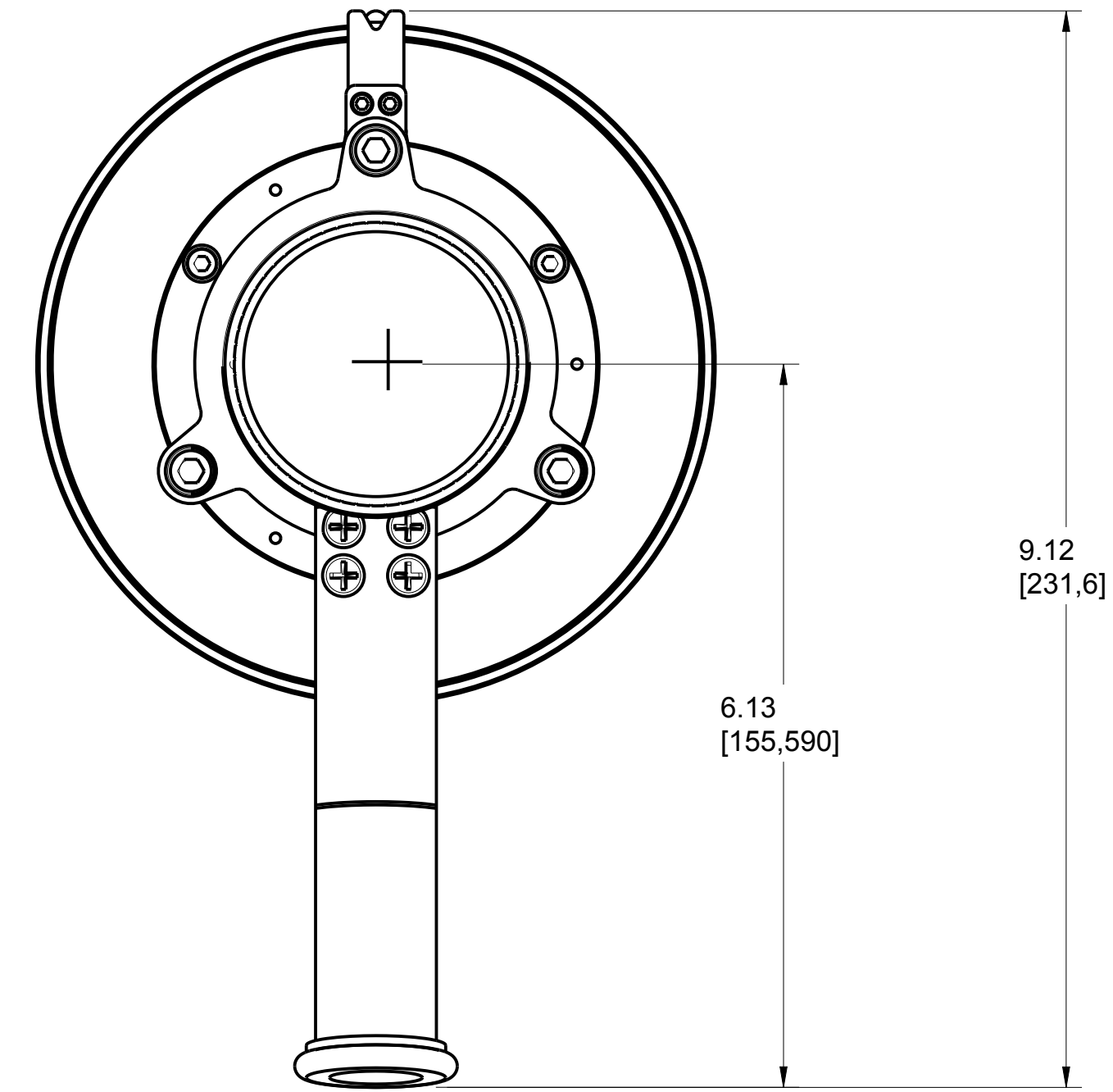
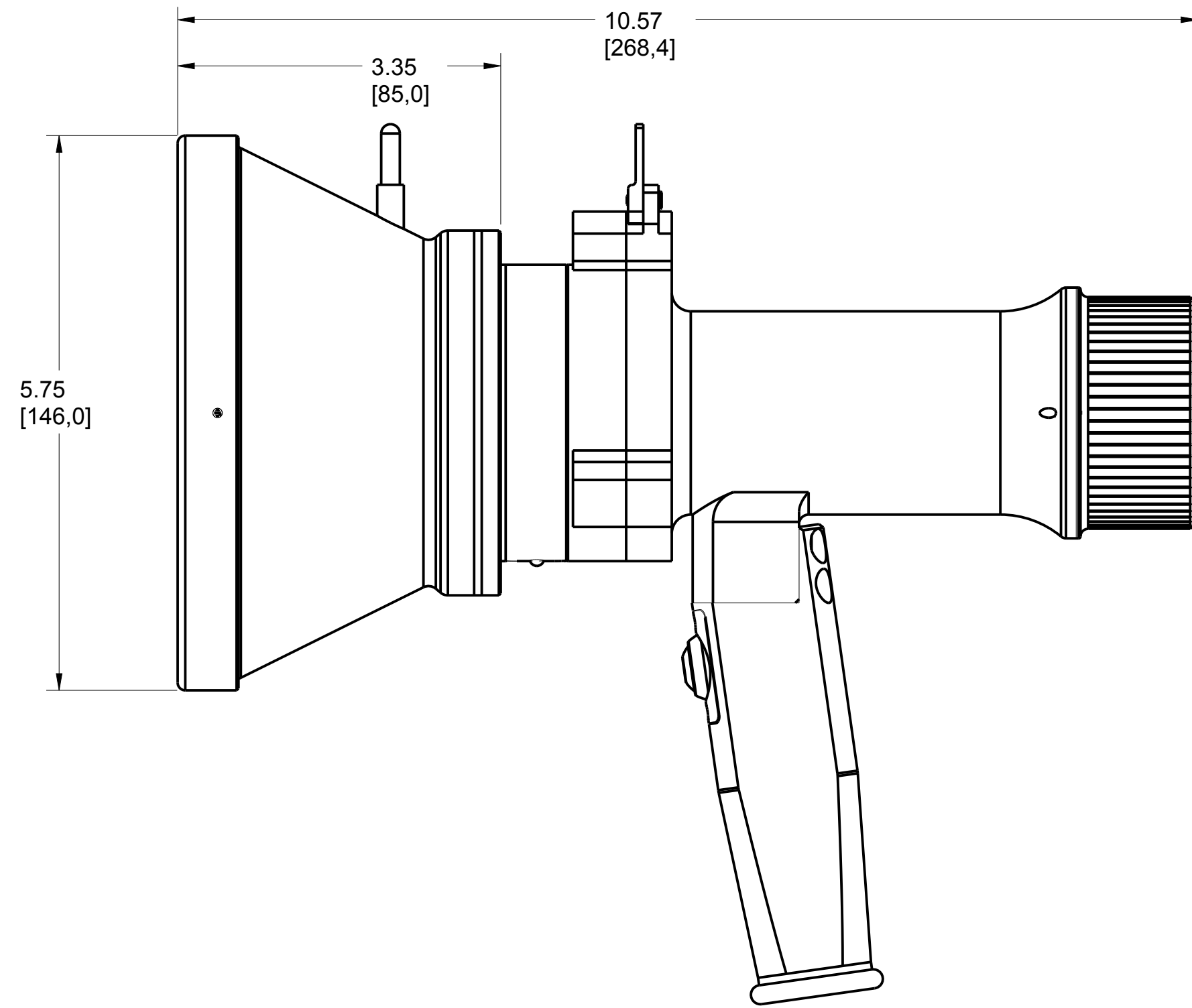


# MODEL 975 FLAME SIMULATOR

REVISION TABLE			
REVISION	ECO NO.	APP'D	DATE
AA	RTCXXXXXX	M. NYLAND	11/8/16
DESCRIPTION			
NEW RELEASE			



©2015 ROSEMOUNT INC.  
ROSEMOUNT INC. CERTIFIES  
THIS DRAWING IS MADE IN  
ACCORDANCE WITH  
ROSEMOUNT ENGINEERING  
SPECIFICATIONS.  
UNIT NOTES IN INCHES (mm).  
REFERENCE ROSEMOUNT  
PRODUCT SPECIFICATIONS.  
CLICK HERE

3RD ANGLE

SIZE D SCALE NTS

**EMERSON**

TITLE ROSEMOUNT 975 FLAME SIM.  
TYPE I DRAWING

DR. J. ARMSTRONG 10/28/16 DRAWING NO. 00975-7002  
APP'D M. NYLAND 10/28/16

CAD MAINTAINED, (PROE) SHEET 1 OF 1