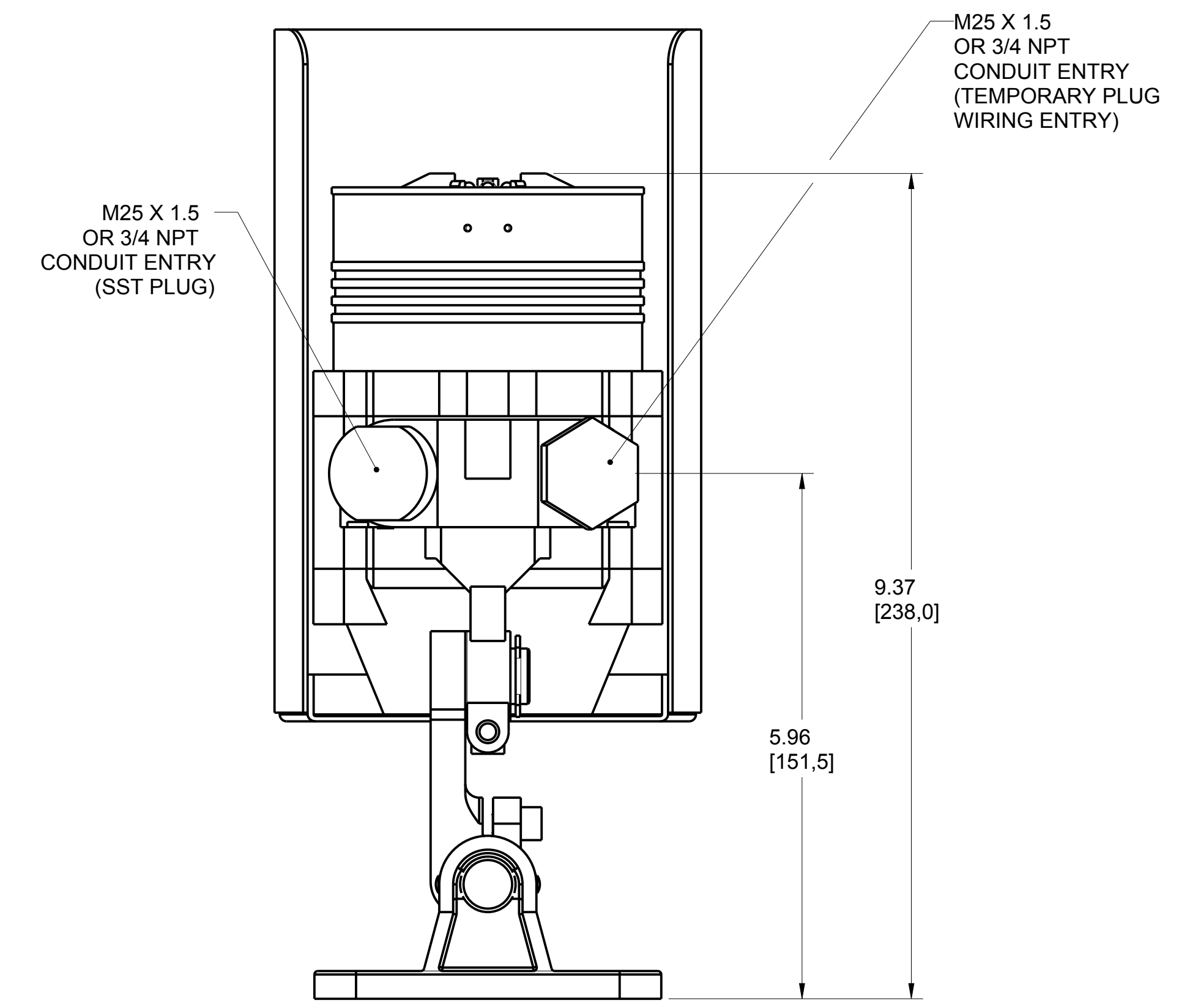
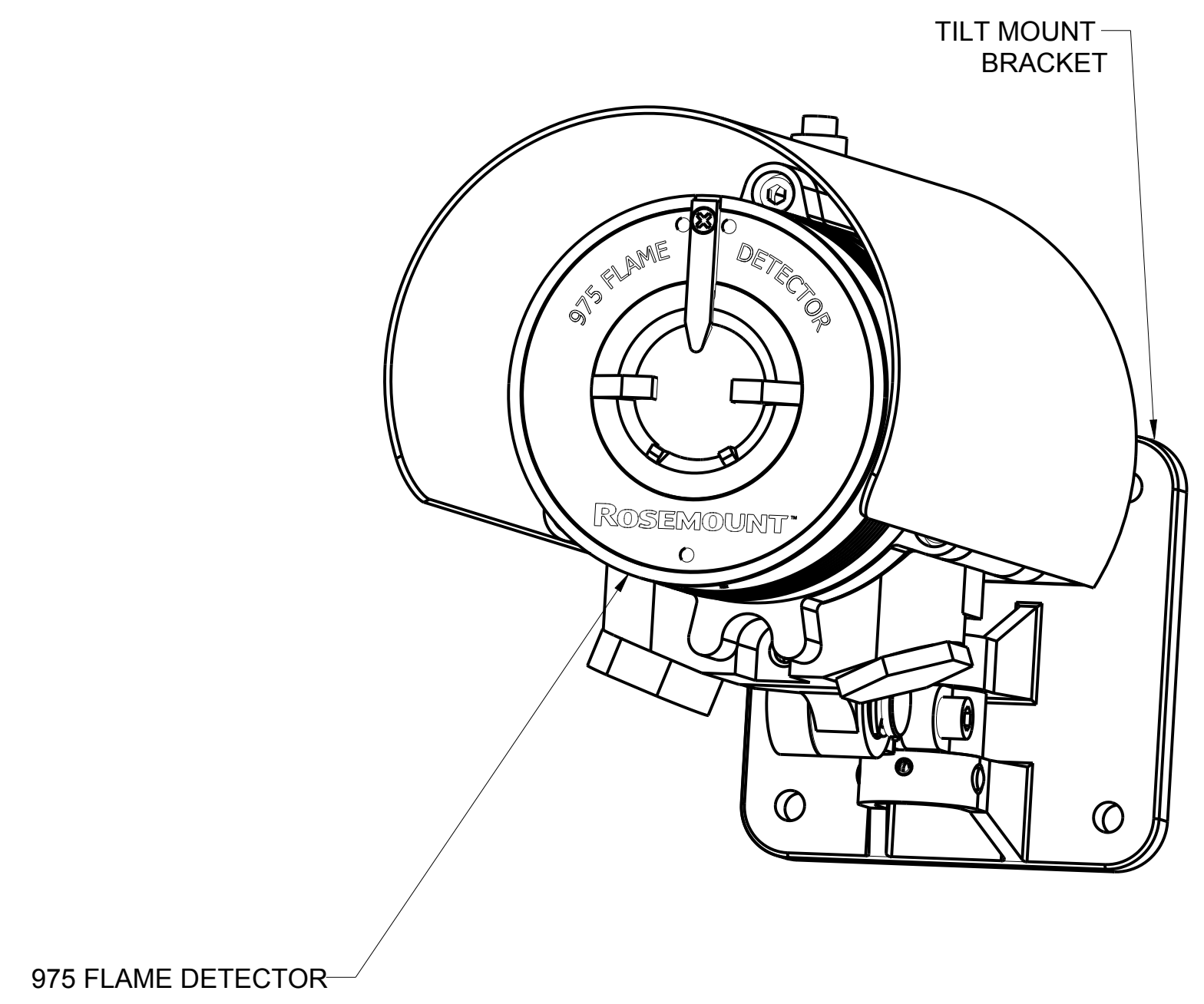
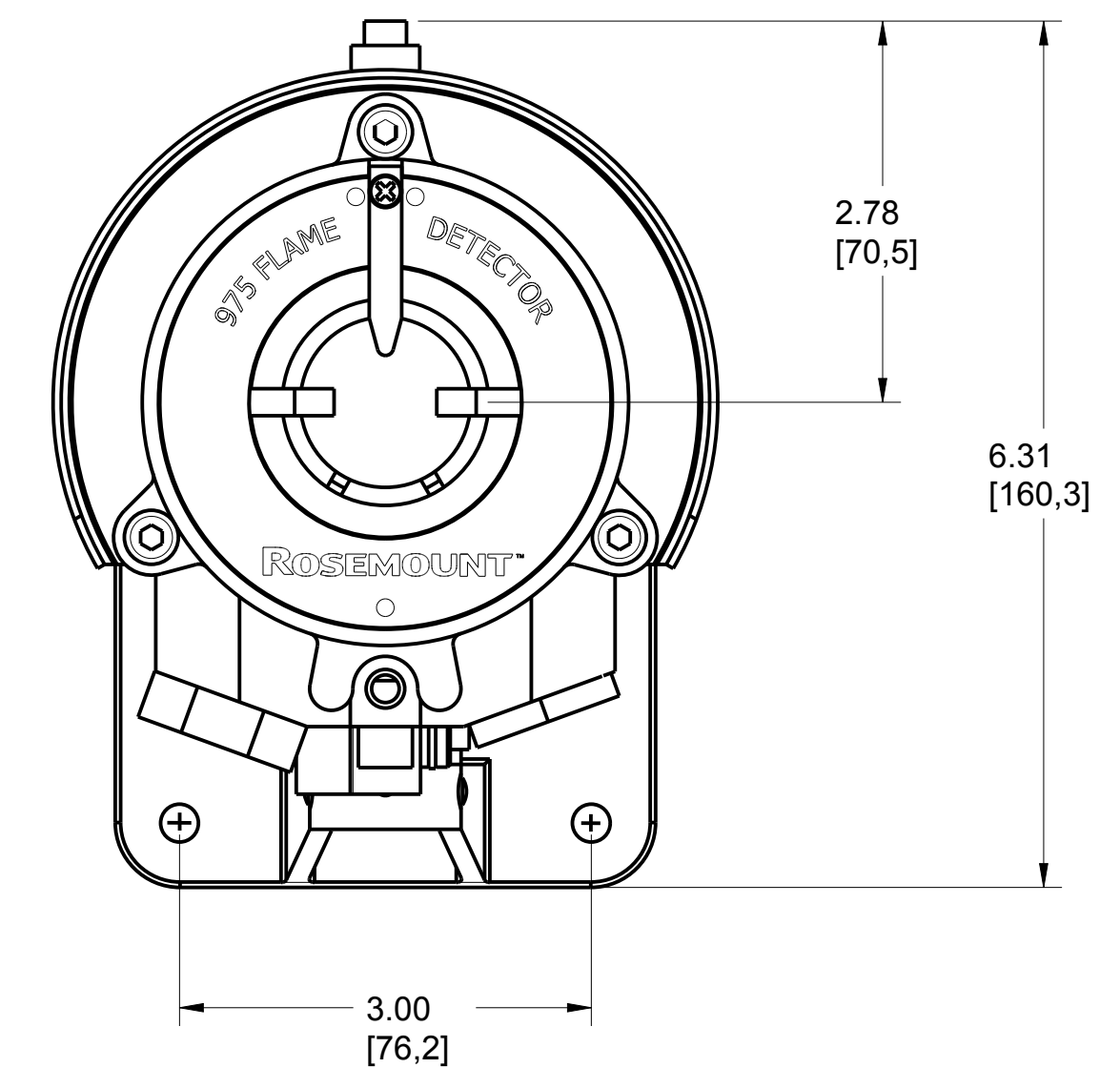
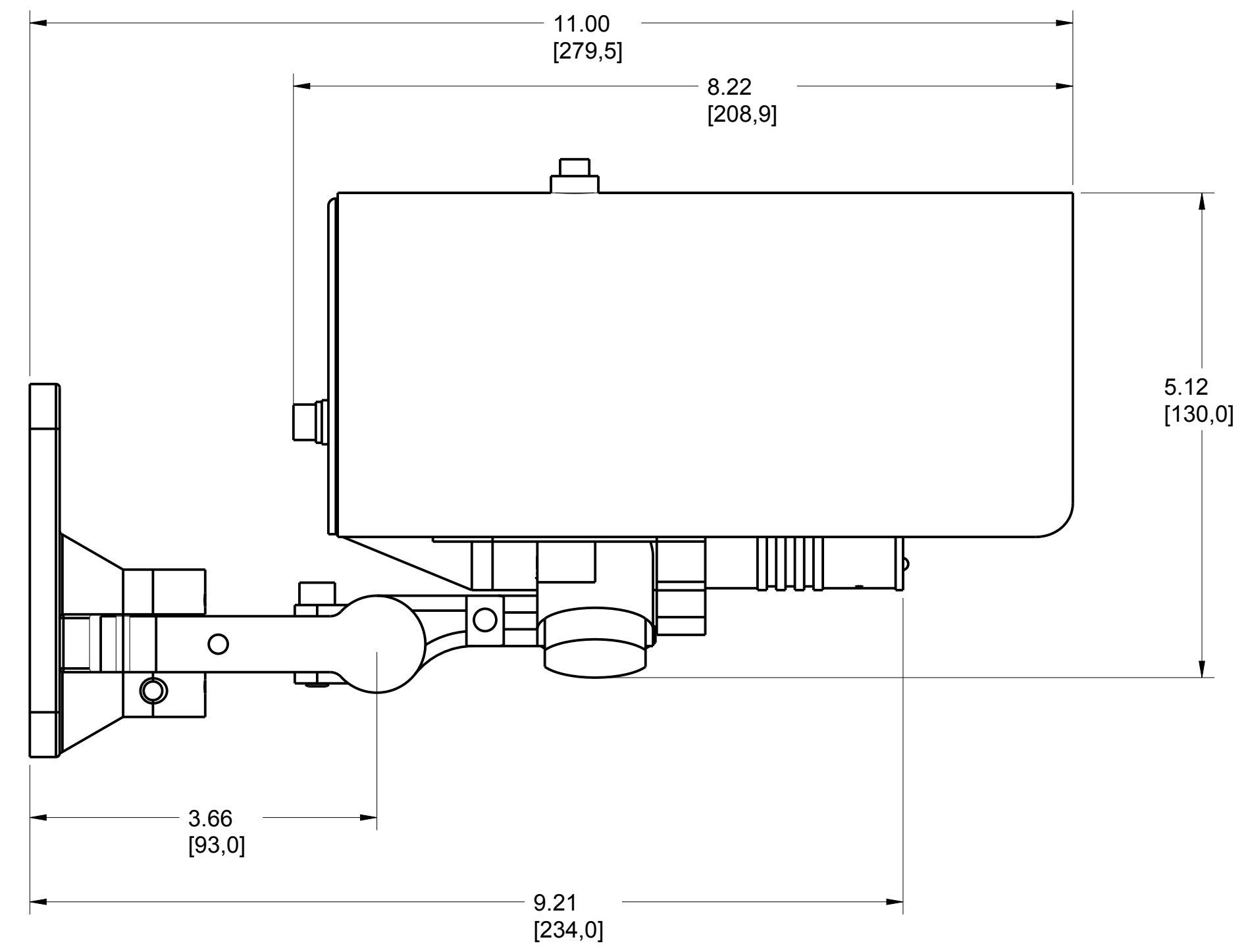


MODEL 975 FLAME DETECTOR TILT MOUNT BRACKET ASSEMBLY AND WEATHER COVER

REVISION TABLE			
REVISION	ECO NO.	APP'D	DATE
AA	RTCXXXXXX	M. NYLAND	11/8/16
DESCRIPTION			
NEW RELEASE			



©2015 ROSEMOUNT INC.
ROSEMOUNT INC. CERTIFIES
THIS DRAWING IS MADE
IN ACCORDANCE WITH
ROSEMOUNT ENGINEERING
SPECIFICATIONS.
UNIT NOTES IN INCHES (mm).

REFERENCE ROSEMOUNT
PRODUCT SPECIFICATIONS.
CLICK HERE

EMERSON

TITLE ROSEMOUNT 975 TILT MOUNT AND WEATHER COVER

DR. J. ARMSTRONG	11/3/16	DRAWING NO.	00975-7006
APP'D M. NYLAND	11/3/16		

CAD MAINTAINED, (PROE) SHEET 1 OF 1