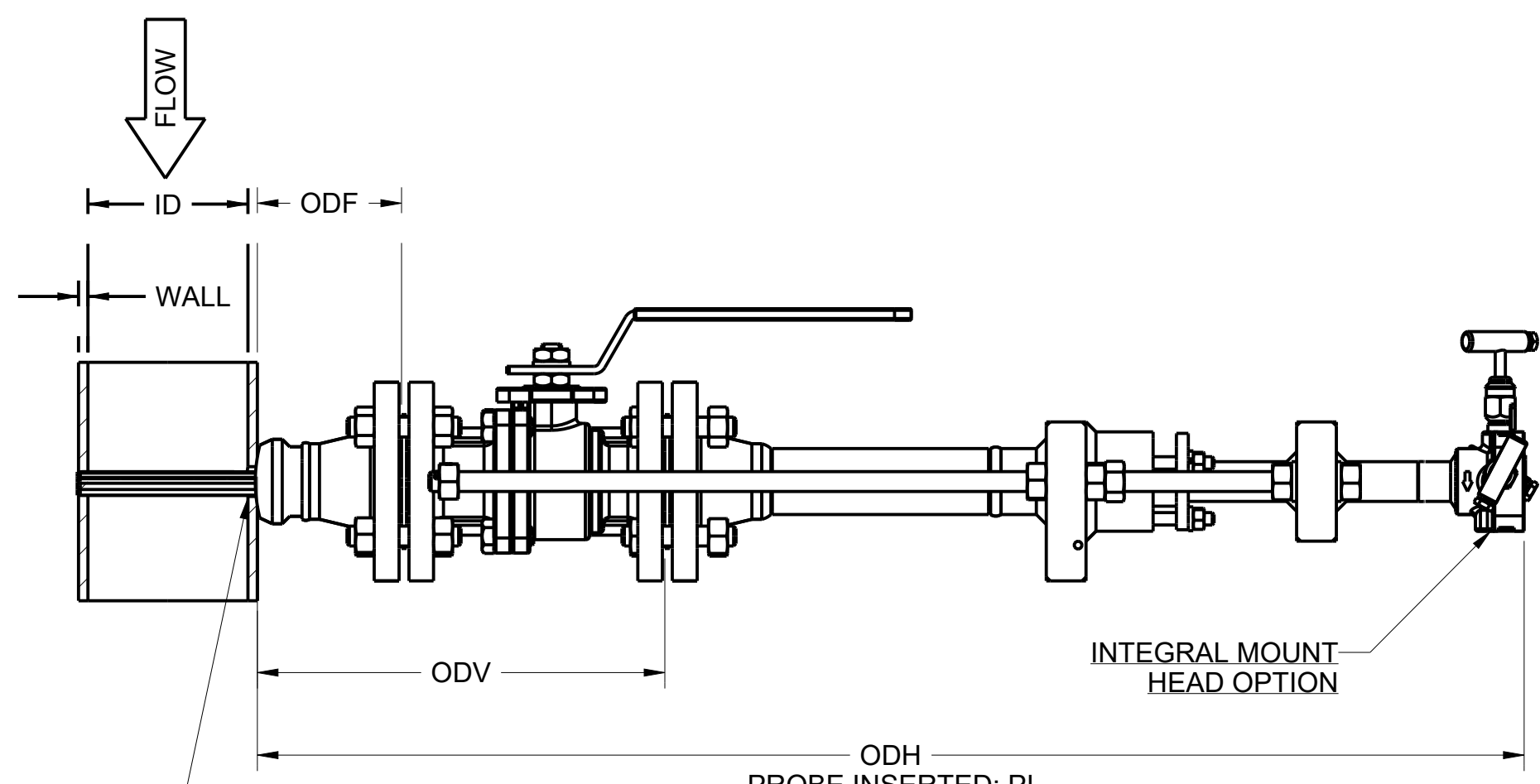
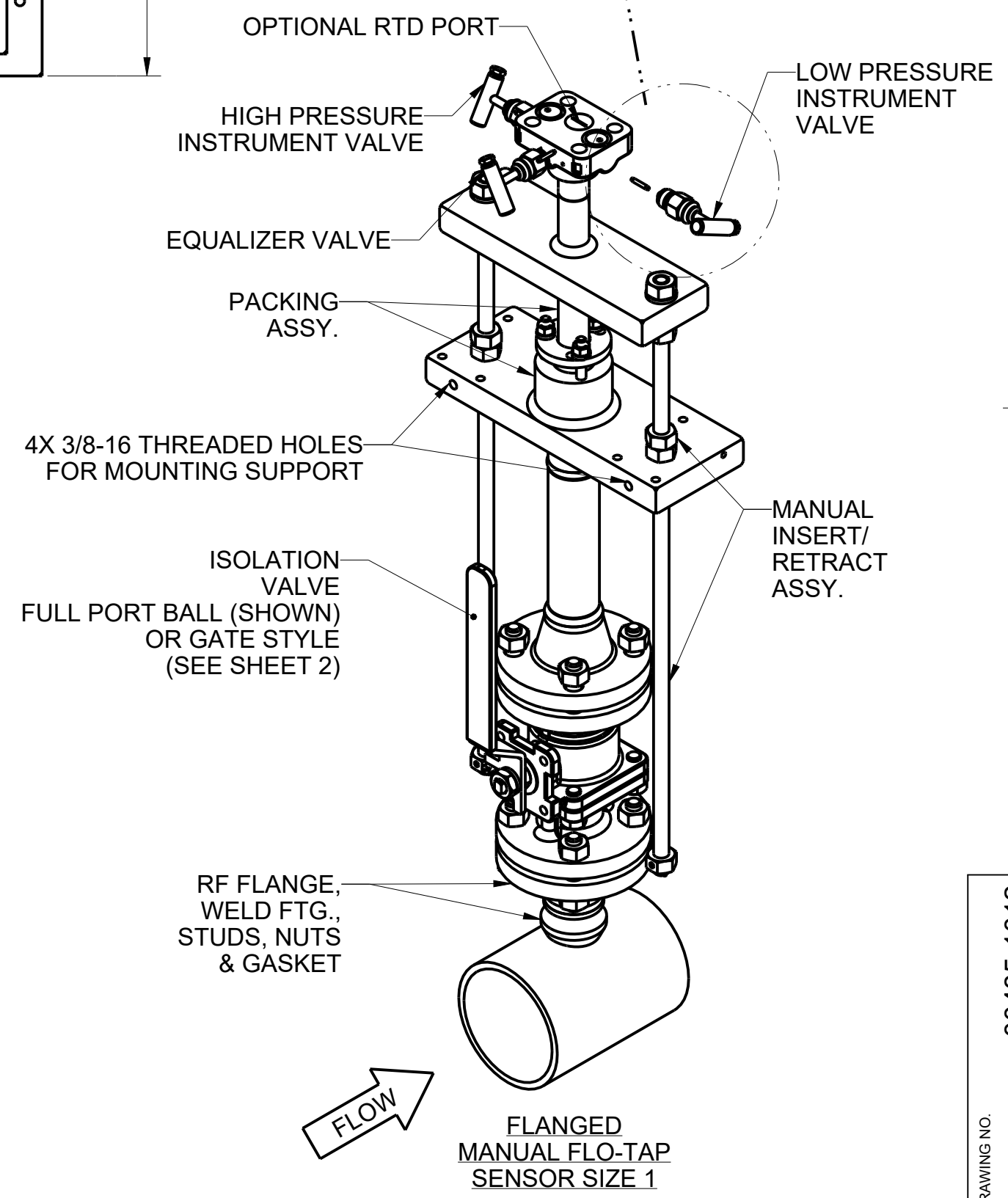
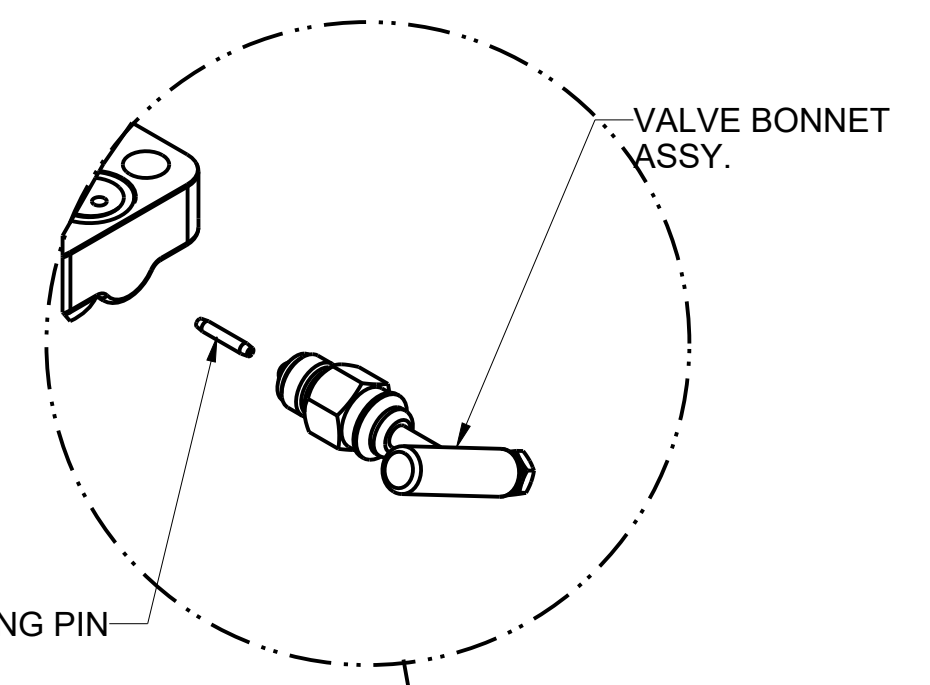
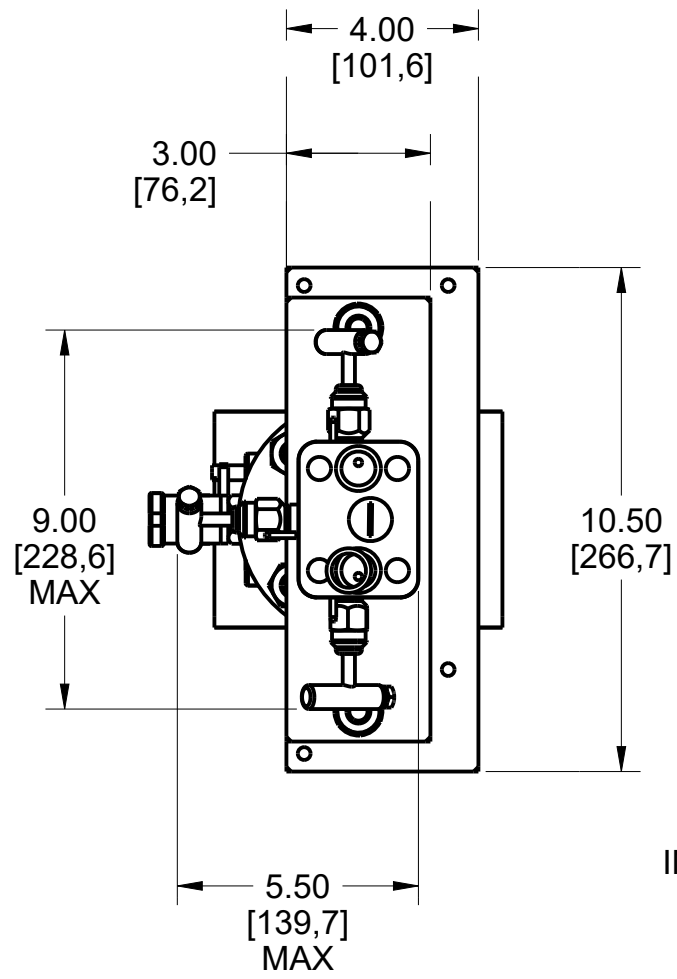
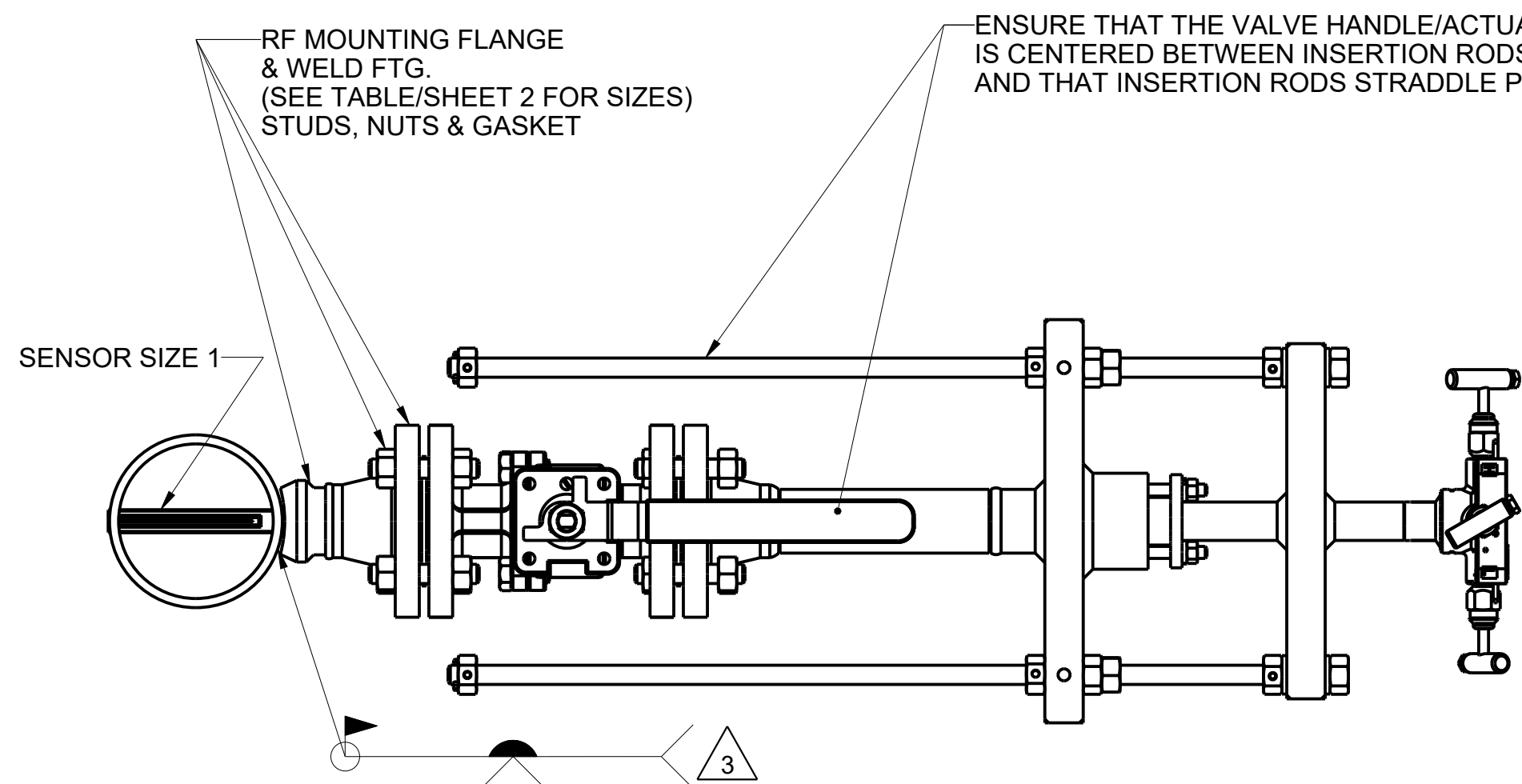


| REVISION TABLE | | | |
|---|------------|-------|---------|
| REVISION | ECO NO. | APP'D | DATE |
| AF | DS11055475 | JS | 6/12/19 |
| DESCRIPTION | | | |
| UPDATED SHEET 4 FOR INSTRUMENT CONNECTION | | | |



PROBE INSERTED: PI
 FORMULA FOR 'PI' = ID + WALL + ODV + 17.77 [451,4] FLANGED
 PROBE RETRACTED: PR
 FORMULA FOR 'PR' = 2x (ID + WALL + ODV) + 17.77 [451,4] FLANGED

NOTICE

FOR ACCURATE FLOW MEASUREMENT THE CORRECT HOLE SIZE IN PIPE MUST BE

3/4 INCH(19mm)

DO NOT DRILL OVERSIZE
 DO NOT TORCH CUT HOLE

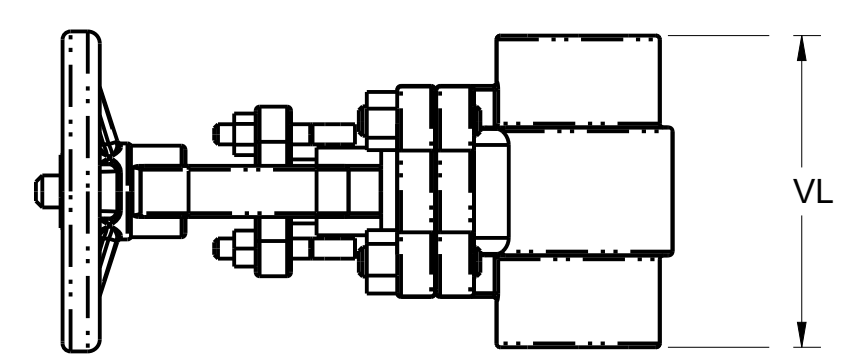
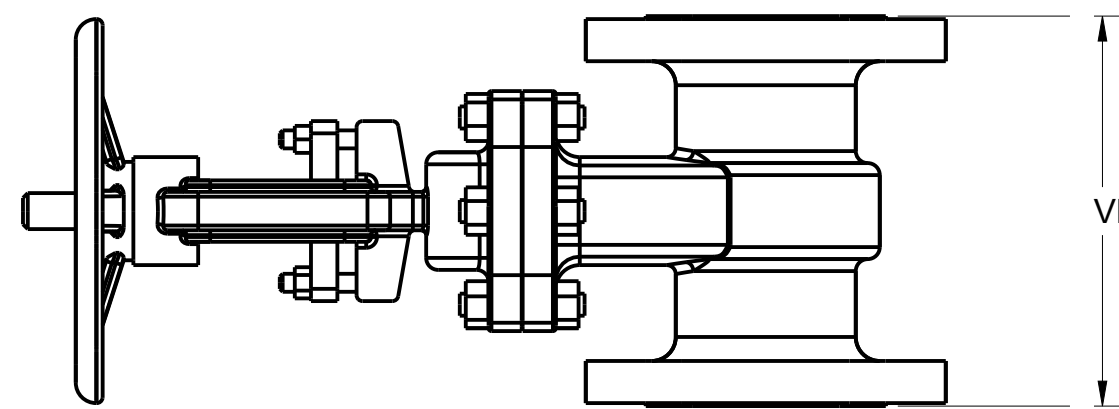
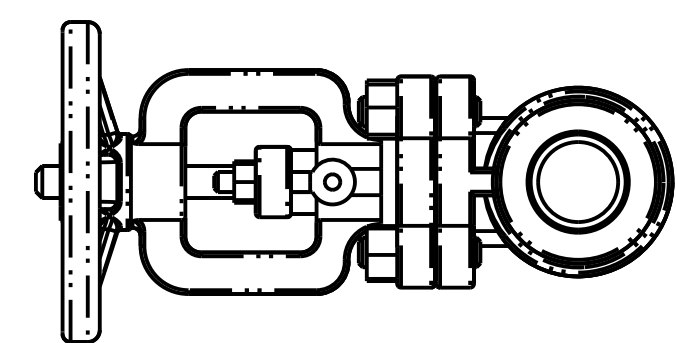
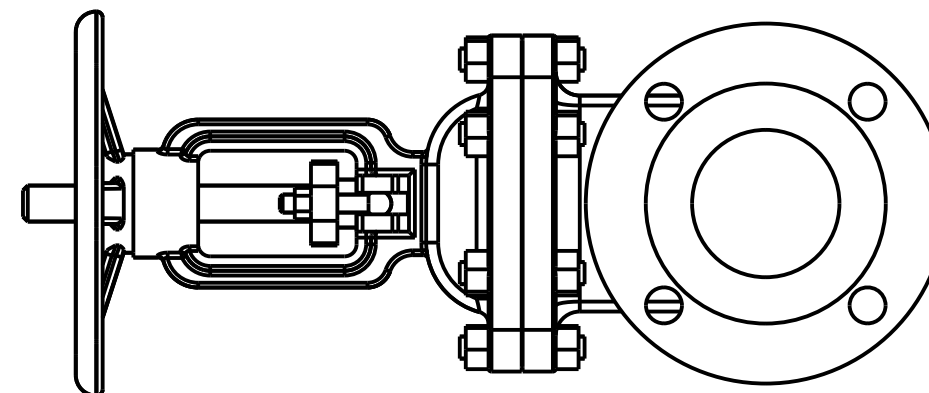
NOTE: UNLESS OTHERWISE SPECIFIED ALL INFORMATION IS BOTH (TYP) & GENERAL TO STANDARD PRODUCT DESIGN ALL PIPE SECTIONS SHOWN FOR REFERENCE ONLY

| | | | | | |
|--|--|--------------|----------|--------------|--------|
| CONFIDENTIAL AND PROPRIETARY INFORMATION IS CONTAINED HEREIN AND MUST BE HANDLED ACCORDINGLY. ROSEMOUNT | SURFACE FINISH UNLESS OTHERWISE SPECIFIED 125 | 3RD ANGLE | SIZE C | SCALE 1/4 | REV AF |
| UNLESS OTHERWISE SPECIFIED DIMENSIONS IN INCHES [mm]. REMOVE ALL BURRS AND SHARP EDGES. | EMERSON 8200 Market Boulevard - Chanhassen, MN 55317 USA | | | | |
| TITLE DIMENSION DRAWING, MODEL 485 ANNUBAR FLOWMETER (3051SFA, 3051CFA, 2051CFA) SENSOR SIZE 1 FLANGED / THREADED FLO-TAP 150# - 600# ANSI | | | | | |
| DR. SGE 06/18/15 | DRAWING NO. 00485-1012 | | | | |
| APP'D JR 06/18/15 | | | | | |
| DO NOT SCALE PRINT | CAD MAINTAINED, (PRO/E) | PRODUCT CODE | DOC TYPE | SHEET 1 OF 4 | |

DRAWING NO. 00485-1012

Electronic Master - Printed Copies Uncontrolled - Rosemount Proprietary

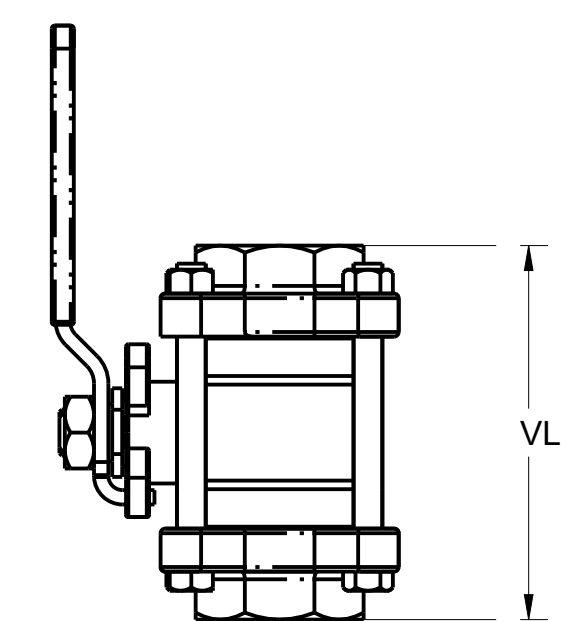
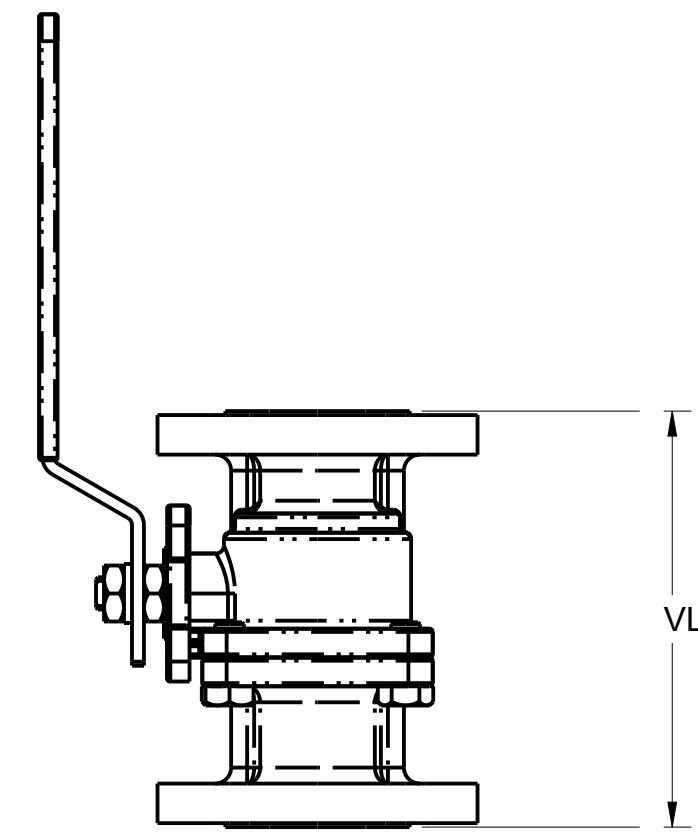
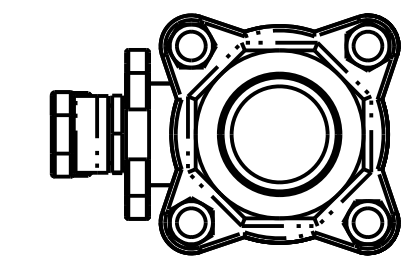
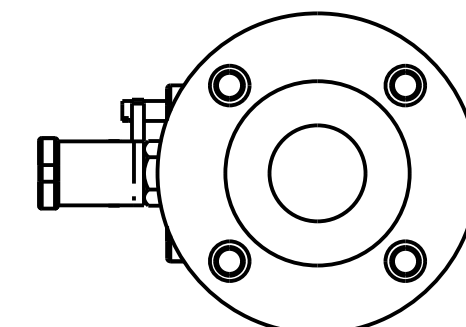
| FLO-TAP SENSOR SIZE 1 | | | | | | |
|-----------------------|--------------|---------------|----------------------------------|--------------|-----------------------------------|------------------|
| Min. Rod Reynolds | Probe Width | Flange Rating | Flange Size [NPS] OR Thread Size | ODF | ALL FLO-TAP | |
| | | | | | FLANGE VL ±.375 [9.5] BALL / GATE | ODV ±.500 [12.7] |
| 6500 | .590 [14.99] | THREADED | 1-1/4" NPT | N/A | 5.50 [139.7] | 7.51 [190.9] |
| | | 150# ANSI | 1-1/2sch80 | 3.88 [98.6] | 6.50 [165.1] | 10.50 [266.7] |
| | | 300# ANSI | | 4.13 [104.9] | 7.50 [190.5] | 11.75 [298.5] |
| | | 600# ANSI | | 4.44 [112.8] | 9.50 [241.3] | 14.06 [357.2] |
| | | DN/PN 16 | DN40 | 3.09 [78.5] | APPLICATION SPECIFIC DIMENSION | |
| | | DN/PN 40 | | 3.21 [81.5] | | |
| | | DN/PN 100 | | 3.88 [98.6] | | |
| | | 150# RTJ | 1-1/2sch80 | 4.06 [103.1] | 6.50 [165.1] | 10.69 [271.4] |
| | | 300# RTJ | | 4.31 [109.5] | 7.50 [190.5] | 11.94 [303.2] |
| | | 600# RTJ | | 4.44 [112.8] | 9.50 [241.3] | 14.26 [362.1] |



FLANGED FULL PORT GATE VALVES

THREADED FULL PORT GATE VALVES

FULL PORT GATE VALVES



FLANGED FULL PORT BALL VALVES

THREADED FULL PORT BALL VALVES

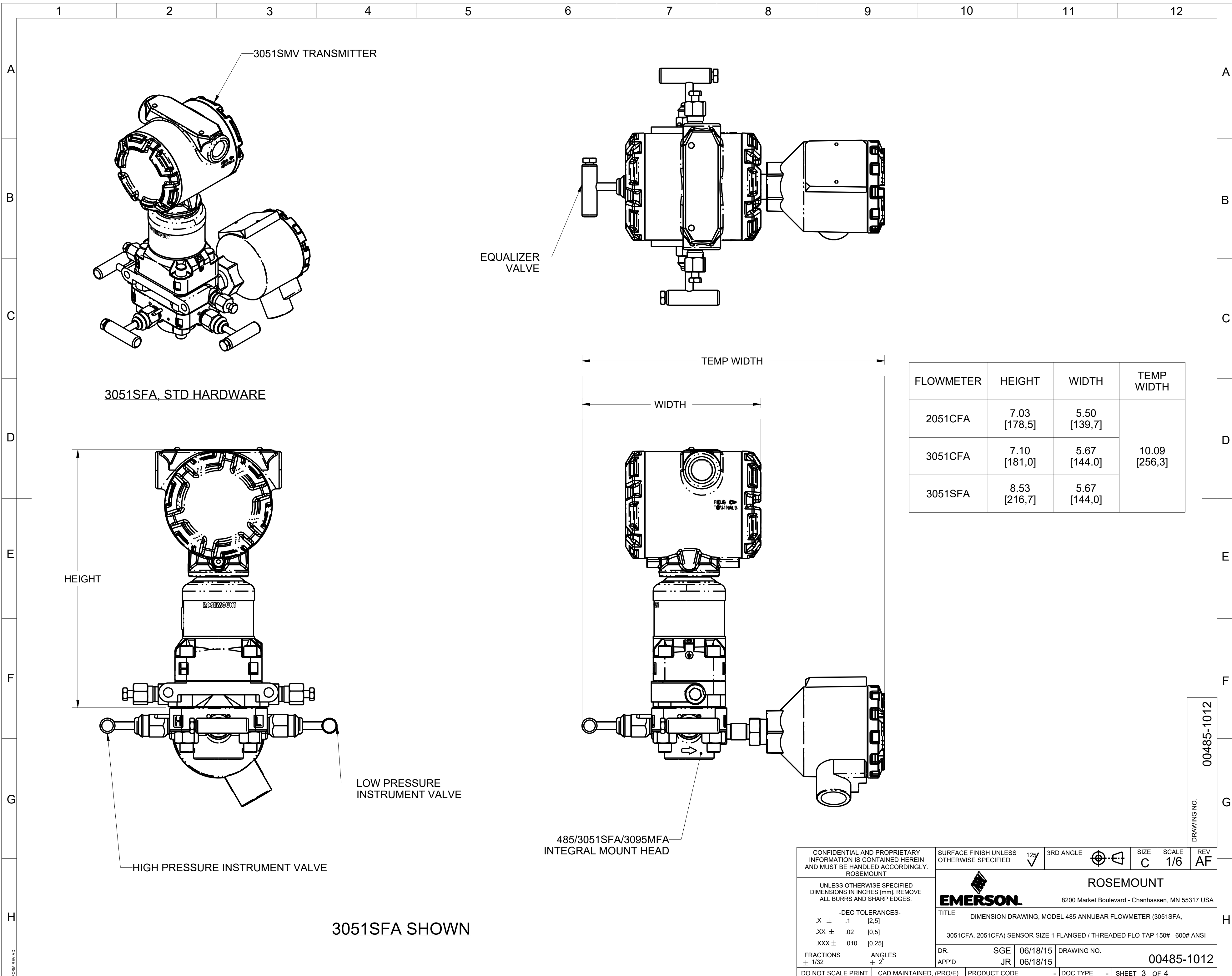
FULL PORT BALL VALVES

- NOTES:
- ROSEMOUNT INC. CERTIFIES THIS DRAWING IS IN ACCORDANCE WITH ROSEMOUNT ENGINEERING SPECIFICATIONS AND ACCURATELY REPRESENTS THE EQUIPMENT FURNISHED.
 - ALL ORIENTATIONS SHOWN FOR REFERENCE ONLY. FOR ACTUAL RECOMMENDED LOCATIONS AND ORIENTATIONS REFER TO INSTALLATION INSTRUCTION MANUAL 00809-0100-4809. QUICK INSTALLATION GUIDE (QIG) 00825-0500-4809 (THREADED FLO-TAP) OR 00825-0400-4809 (FLANGED FLO-TAP).
 - FIELD WELD. REFER TO INSTALLATION INSTRUCTIONS FOR WELD REQUIREMENTS.
 - MAXIMUM PRESSURE: 600lb ANSI EQUIVALENT (1440 PSIG AT 100° F/9928.5Kpa g at 37.8C) FOR 316SS.
 - MAX TEMPERATURE: 500° F (260C) FOR INTEGRAL TRANSMITTER MOUNTING
850° F (454.4C) FOR STAINLESS STEEL REMOTE TRANSMITTER MOUNTING
850° F (454.4C) FOR HASTELLOY REMOTE TRANSMITTER MOUNTING
 - FOR MODEL SELECTIONS, REFER TO ROSEMOUNT PRODUCT DATA SHEETS.

| | | | | | |
|--|--|---------------|----------|--------------|--------|
| CONFIDENTIAL AND PROPRIETARY INFORMATION IS CONTAINED HEREIN AND MUST BE HANDLED ACCORDINGLY. ROSEMOUNT | SURFACE FINISH UNLESS OTHERWISE SPECIFIED | 125/3RD ANGLE | SIZE C | SCALE 1/6 | REV AF |
| UNLESS OTHERWISE SPECIFIED DIMENSIONS IN INCHES [mm]. REMOVE ALL BURRS AND SHARP EDGES. | ROSEMOUNT 8200 Market Boulevard - Chanhassen, MN 55317 USA | | | | |
| TITLE DIMENSION DRAWING, MODEL 485 ANNUBAR FLOWMETER (3051SFA, 3051CFA, 2051CFA) SENSOR SIZE 1 FLANGED / THREADED FLO-TAP 150# - 600# ANSI | | | | | |
| DR. SGE 06/18/15 | DRAWING NO. 00485-1012 | | | | |
| APP'D JR 06/18/15 | | | | | |
| DO NOT SCALE PRINT | CAD MAINTAINED, (PRO/E) | PRODUCT CODE | DOC TYPE | SHEET 2 OF 4 | |

DRAWING NO. 00485-1012

Electronic Master - Printed Copies Uncontrolled - Rosemount Proprietary

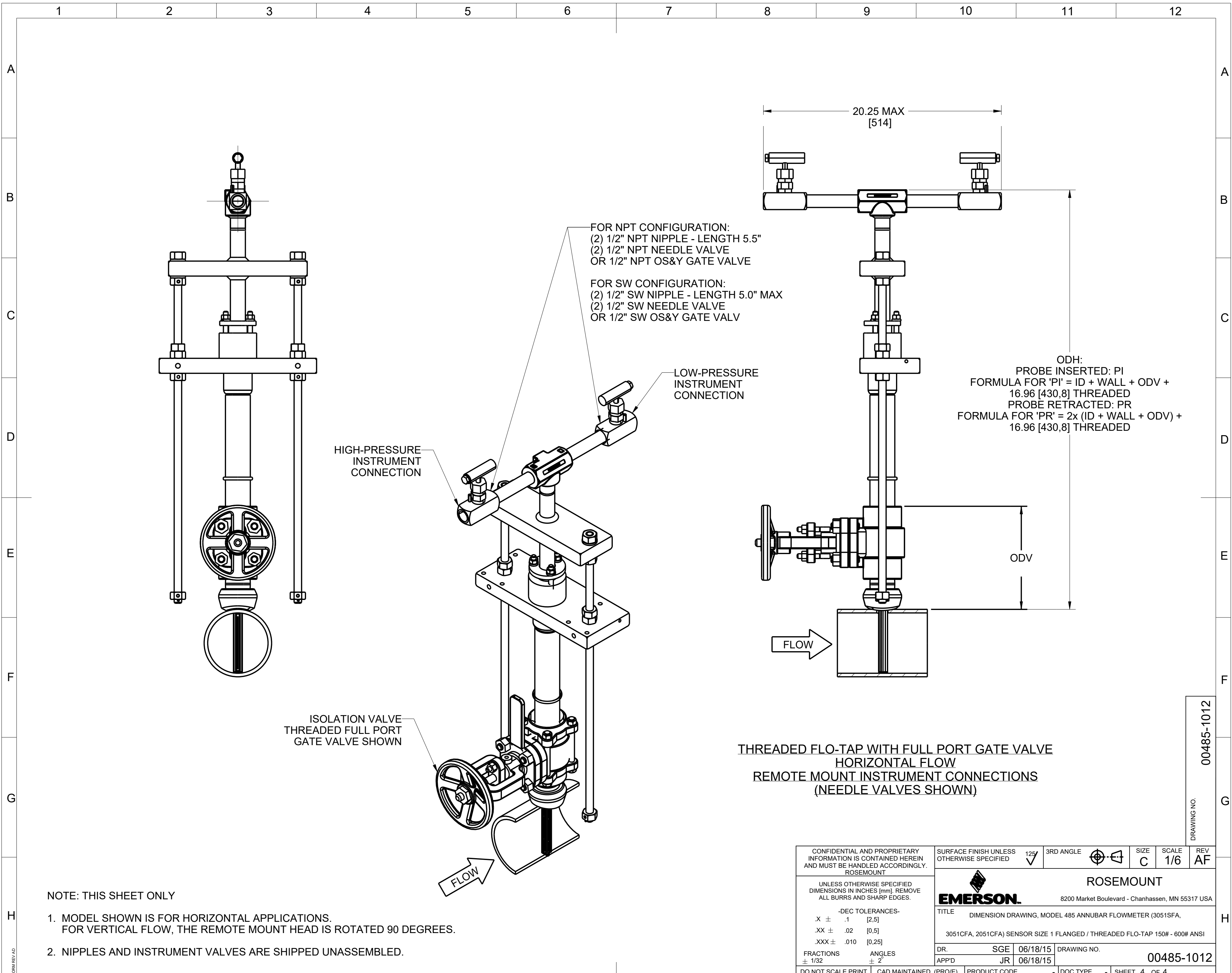


| FLOWMETER | HEIGHT | WIDTH | TEMP WIDTH |
|-----------|-----------------|-----------------|------------------|
| 2051CFA | 7.03 [178,5] | 5.50 [139,7] | 10.09 [256,3] |
| 3051CFA | 7.10 [181,0] | 5.67 [144,0] | |
| 3051SFA | 8.53 [216,7] | 5.67 [144,0] | |

| | | | | | | | | |
|---|-------------------------|--|------------|-----------|---|--------------|-----------|--------|
| CONFIDENTIAL AND PROPRIETARY INFORMATION IS CONTAINED HEREIN AND MUST BE HANDLED ACCORDINGLY. ROSEMOUNT | | SURFACE FINISH UNLESS OTHERWISE SPECIFIED | 125 | 3RD ANGLE | | SIZE C | SCALE 1/6 | REV AF |
| UNLESS OTHERWISE SPECIFIED DIMENSIONS IN INCHES [mm]. REMOVE ALL BURRS AND SHARP EDGES. | | EMERSON 8200 Market Boulevard - Chanhassen, MN 55317 USA TITLE DIMENSION DRAWING, MODEL 485 ANNUBAR FLOWMETER (3051SFA, 3051CFA, 2051CFA) SENSOR SIZE 1 FLANGED / THREADED FLO-TAP 150# - 600# ANSI | | | | | | |
| -DEC TOLERANCES- | | | | | | | | |
| .X ± .1 [2,5] | | | | | | | | |
| .XX ± .02 [0,5] | | | | | | | | |
| .XXX ± .010 [0,25] | | | | | | | | |
| FRACTIONS ± 1/32 | ANGLES ± 2° | | | | | | | |
| DR. SGE | 06/18/15 | DRAWING NO. | 00485-1012 | | | | | |
| APP'D JR | 06/18/15 | | | | | | | |
| DO NOT SCALE PRINT | CAD MAINTAINED, (PRO/E) | PRODUCT CODE | - | DOC TYPE | - | SHEET 3 OF 4 | | |

DRAWING NO. 00485-1012

3051SFA SHOWN



NOTE: THIS SHEET ONLY

- MODEL SHOWN IS FOR HORIZONTAL APPLICATIONS.
FOR VERTICAL FLOW, THE REMOTE MOUNT HEAD IS ROTATED 90 DEGREES.
- NIPPLES AND INSTRUMENT VALVES ARE SHIPPED UNASSEMBLED.

| | | | | | | | | |
|---|--------------------|--|--------------|-----------|--------------|-------------|-----------|--------|
| CONFIDENTIAL AND PROPRIETARY INFORMATION IS CONTAINED HEREIN AND MUST BE HANDLED ACCORDINGLY. ROSEMOUNT | | SURFACE FINISH UNLESS OTHERWISE SPECIFIED | 125 | 3RD ANGLE | | SIZE C | SCALE 1/6 | REV AF |
| UNLESS OTHERWISE SPECIFIED DIMENSIONS IN INCHES [mm]. REMOVE ALL BURRS AND SHARP EDGES. | | EMERSON 8200 Market Boulevard - Chanhassen, MN 55317 USA | | | | | | |
| -DEC TOLERANCES- | | TITLE DIMENSION DRAWING, MODEL 485 ANNUBAR FLOWMETER (3051SFA, 3051CFA, 2051CFA) SENSOR SIZE 1 FLANGED / THREADED FLO-TAP 150# - 600# ANSI | | | | | | |
| .X ± .1 [2.5] | .XX ± .02 [0.5] | DR. SGE | | 06/18/15 | | DRAWING NO. | | |
| .XXX ± .010 [0.25] | FRACTIONS ± 1/32 | APP'D JR | | 06/18/15 | | 00485-1012 | | |
| ANGLES ± 2° | DO NOT SCALE PRINT | CAD MAINTAINED, (PRO/E) | PRODUCT CODE | DOC TYPE | SHEET 4 OF 4 | | | |

DRAWING NO. 00485-1012