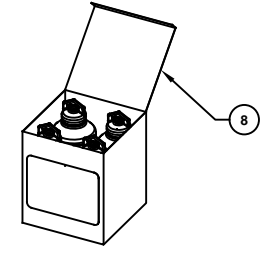
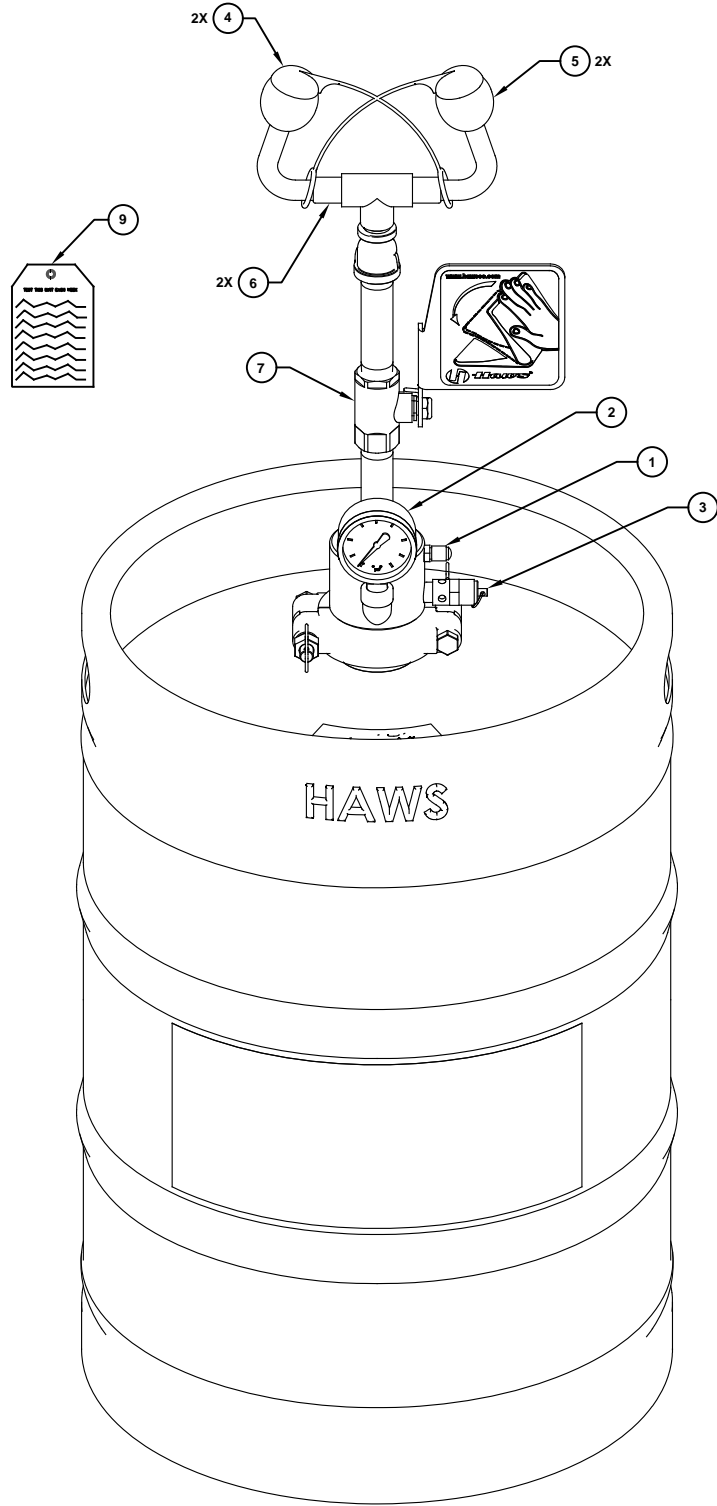
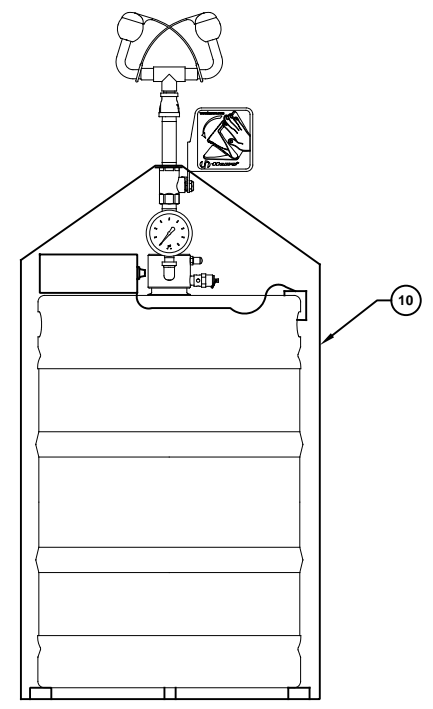


ITEM	DESCRIPTION	PART NO.
1	VALVE, AIR	0006522676
2	GAUGE, PRESSURE	0002580702.5
3	VALVE, RELIEF	0110000459
4	COVER, POP-OFF	9094
5	HEAD, EYEWASH	SP12
6	FLOW CONTROL	0012506950
7	VALVE	SP238
8	STERILE ANTIMICROBIAL PRESERVATIVE	9082
9	INSPECTION TAG	0510000504
10	BLANKET	*SEE TABLE



(NOT SUPPLIED; MUST BE ORDERED SEPARATELY)

MODELS 7603TH / 7603T240H



(7603TH SHOWN)

MODEL	BLANKET P/N
7603TH	7603BLH
7603T240H	7603BL240H

PARTS BREAKDOWN

WHEN ORDERING PARTS PLEASE SPECIFY MODEL NUMBER.

		1455 KLEPPE LANE SPARKS, NEVADA 89431 (775) 359-4712 FAX (775) 359-7424 E-MAIL: HAWS@HAWSCO.COM WEBSITE: WWW.HAWSCO.COM	
		ECN NO. 5235 REVISION 1 DATE 12/28/17 BY CC CHECKED MJ	MODEL(S) 7603TH / 7603T240H SAFETY KEG EYEWASH
APPROVED MJ DATE 05/29/18	SCALE: 1:1 DRAWING TYPE: PARTS BREAKDOWN	SIZE: A SHEET 1 OF 1	