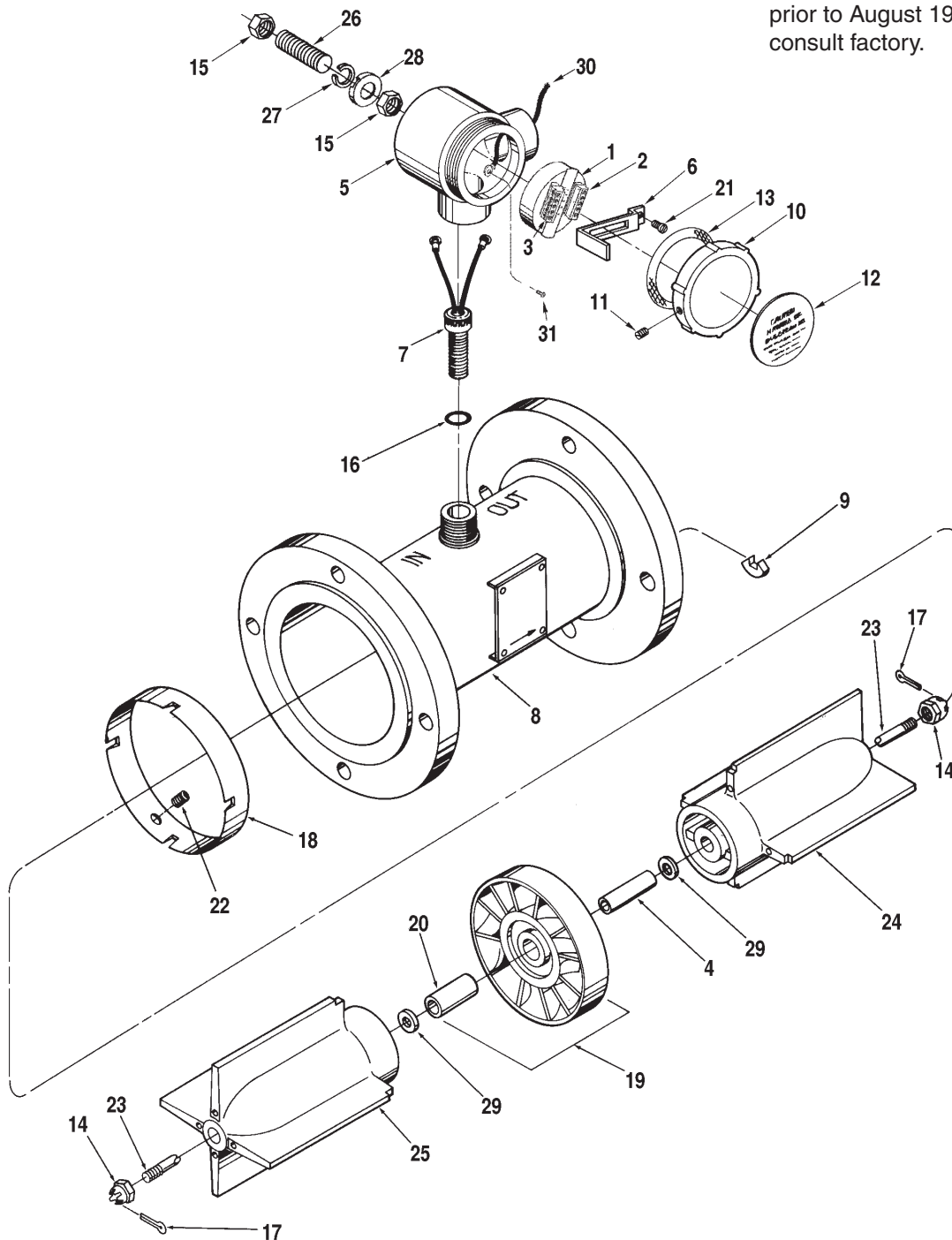


Meter, Turbine, 18 Inch, Sentry Series

Bulletin PO02020 Issue/Rev. 0.0 (09/13)

For meters manufactured
prior to August 1976,
consult factory.



Item	Description	Qty.	Part Number
1	+ Preamplifier:		
	PA-6, 12 to 24 Vdc	#	230663-101
2	Connector, (1-5)	#	645030-452
3	Connector, (6-10)	#	645030-453
4	Bearing, Platform.....	1	542290-200
5	Box, Conduit.....	#	543256-200
6	Clip, Retaining	#	543192-203
7	+ Coil, Pickup		
	-100°F to +225°F	#	644327-401
	-100°F to +400°F (High Temperature Version).....	#	641512-401
	Mating Connector with Leads (High Temperature Version)	#	540244-101
8	Housing	1	See Note 1
9	Key, Stator:		
	For Stainless Steel Stators	1	542834-201
10	Cover, Conduit Box		
	UL/CSA	#	543196-100
	ATEX – Manufactured in U.S.A.....	#	544057-101
	ATEX – Manufactured in Germany	#	544057-102
11	Screw, Set, #6-32 x 1/4"	#	643243-403
12	Label		
	UL/CSA Approvals.....	#	543195-200
	ATEX – Manufactured in U.S.A.....	#	544056-201
	ATEX – Manufactured in Germany	#	544056-202
13	+ Gasket, Cover.....	#	013403-200
14	+ Nut, Castle, 7/8"-14	2	643729-404
15	Nut, 1/4"-20 (ATEX version only)	#	060060-001
16	O-Ring (Carbon Steel Housing only).....	#	641069-474
17	+ Pin, Cotter, 1/8 x 1-1/2"	2	006738-001
18	@2 Ring, Deflector:		
	Unidirectional: Stainless Steel	1	542300-201
	Bidirectional: Stainless Steel.....	2	543054-218
19	+ Rotor Assembly	1	544463-192
20	Bearing, Rotor.....	1	542289-200
21	Screw, Machine, #10-32 x 1/4"	#	009544-401
22	Screw, Set, 1/4-20 x 1/4"	#	645690-402
23	Shaft, Rotor	1	542306-200
24	Stator, Downstream (Uni or Bidirectional):		
	Stainless Steel	1	542305-211
25	Stator, Upstream:		
	Unidirectional: Stainless Steel	1	542304-211
	Bidirectional: Stainless Steel.....	1	542305-211
26	Stud, (ATEX version only).....	#	550773-001
27	Washer, 1/4" Lock, (ATEX version only)	#	006621-001
28	Washer, Inverted Tag, (ATEX version only)	#	550770-001
29	Washer, Thrust	2	543851-218
30	Ground Wire, (UL/CSA version only).....	#	544058-101
31	Screw, #10-32 x 1/4" (UL/CSA version only).....	#	006110-002

Item	Description	Qty.	Part Number
Internal Parts Kit			
@3	Unidirectional.....		544618-103
@3	Bidirectional.....		544618-104

- + Recommended stock.
- # Order quantity required.

Note 1: Consult Factor, (814) 898-5000, providing model no. and serial no., also specify:

- | | |
|-------------------------|----------------------------|
| 1. Uni or Bidirectional | 4. Flange Class (Pressure) |
| 2. Housing Material | 5. Flange Type |
| 3. Flange Material | 6. Number of Pickup Coils |

@2 Note 2: Deflector ring material must be same as housing tube material.

@3 Note 3: Serial number information. When ordering component parts, give complete serial number (e.g., alpha and numeric prefix and suffix). Serial number may be found on nameplate and stamped on housing tube by Number 1 Boss.

P0593.05X has been made obsolete and replaced by publication number PO02020 (September 2013).

The specifications contained herein are subject to change without notice and any user of said specifications should verify from the manufacturer that the specifications are currently in effect. Otherwise, the manufacturer assumes no responsibility for the use of specifications which may have been changed and are no longer in effect.

TechnipFMC.com

© TechnipFMC plc. 2020 All rights reserved. PO02020 Issue/Rev. 0.0 (09/13)

TechnipFMC
13460 Lockwood Road
Building S01
Houston, Texas 77044 USA
P:+1 281.591.4000

USA Operation
1602 Wagner Avenue
Erie, Pennsylvania 16510 USA
P:+1 814.898.5000

Germany Operation
Smith Meter GmbH
Regentstrasse 1
25474 Ellerbek, Germany
P:+49 4101 304.0