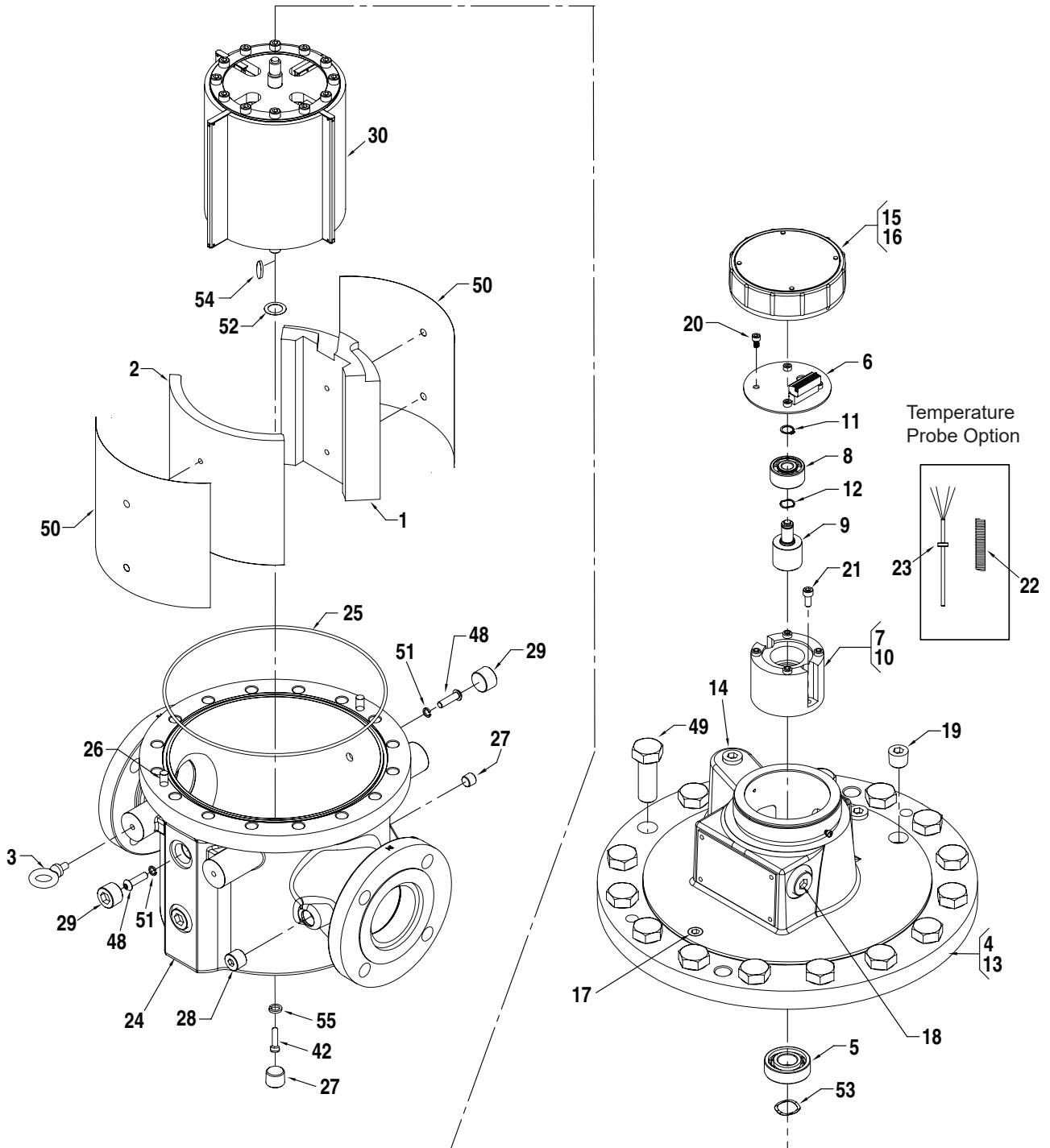
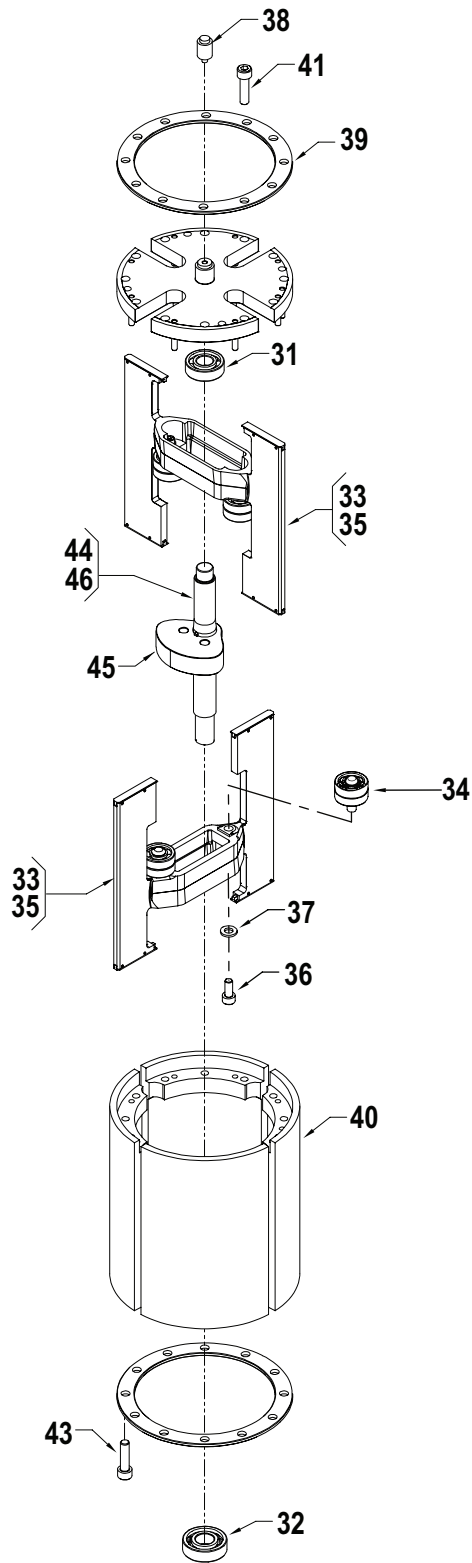


Meter, PD, Genesis™ Series, 3" Steel

Bulletin PO01053 Issue/Rev. 0.1 (11/19)



Rotor and Blade Assembly



Item	Description	Qty.	Part Number
1	Block	1	556184-002
2	Block, Chamber	1	556185-002
3	Bolt, Eye	2	647000-423
4	@2 Cover Assembly:		
	w/o Temperature Probe & 1/2" NPT Cover Ports	1	556181-191
	* w/ Temperature Probe & 1/2" NPT Cover Ports	1	556181-192
	w/o Temperature Probe & M20 x 1.5 Cover Ports	1	556181-193
	* w/ Temperature Probe & M20 x 1.5 Cover Ports	1	556181-194
5	Bearing, 6203 Ceramic Ball.....	1	647000-437
6	+@2 Board, P.C. Assembly HRE.....	1	Consult Factory
7	Coupling Assembly	1	P8000007622
8	Bearing, 5200 Double Row Ball.....	1	647000-414
9	Coupling, Magnetic	1	647000-426
10	Coupling Support, Magnetic.....	1	P8000006731
11	Ring, Snap	1	640000-010
12	Washer, Spring	1	640000-009
13	Cover, Meter:		
	Standard (w/o Temperature Probe) & 1/2" NPT Cover Ports	1	556180-101
	* w/ Temperature Probe and Test Well & 1/2" NPT Cover Ports	1	556180-102
	Standard (w/o Temperature Probe) & M20 x 1.5 Cover Ports	1	556180-103
	* w/ Temperature Probe and Test Well & M20 x 1.5 Cover Ports	1	556180-104
14	@1 Plug, NPT, 3/8-18 Pipe	1	647000-404
15	Cover, Junction Box	1	000583-201
16	* Gasket, Junction Box	1	013403-200
17	Plug, NPT, 1/4" Pipe	1	647000-422
18	Plug		
	NPT, 1/2" Pipe.....	3	647000-424
	M20 x 1.5	3	670016-420
19	Plug, NPT, 3/8-18 Pipe	3	647000-404
20	Screw C, M4 x .7 x 8 mm Socket Head	4	647000-427
21	Screw C, M5 x .8 x 12 mm Socket Head	2	647000-407
22	Spring, .054 x 3/8" x 3" Temperature Probe.....	1	647000-408
23	Temperature Probe	1	556032-001
24	Housing:		
	Class 150 Flanges	1	P8000008311
	Class 300 Flanges	1	P8000008312
	PN16 Flanges	1	P8000008313
	PN25 Flanges	1	P8000008314
25	+ O-ring, Cover,Viton GFLT.....	1	647000-447
26	Pin, M10 x 30 mm Dowel.....	2	647000-487
27	Plug, 1/4" NPT Pipe	2	647000-422
28	Plug, 1/2" NPT Pipe	1	647000-424
29	Plug, 3/4-14 NPT Plug	4	647000-454
30	R@4 Rotor and Blade Assembly	1	P8000009935
31	+ Bearing, 6202 Ceramic Ball.....	1	647000-412
32	+ Bearing, 6203 Ceramic Ball	1	647000-437
33	+ Blade Assembly	2	556173-101
34	Bearing Assembly	4	556172-191
35	Blade.....	1	556171-101
36	Screw, M5 x .8 x 12 mm Socket Head	2	647000-407
37	Washer, M5.....	2	647000-406
38	Coupling, Magnetic.....	1	647000-418
39	Ring, Blade Retaining.....	2	556176-001

Item	Description	Qty.	Part Number
40	R Rotor Assembly.....	1	556179-101
41	Screw, M8 x 1.25 x 30 mm Socket Head.....	12	647000-451
42	Screw, M6 x 1 x 25 mm Socket Head.....	1	647000-482
43	Screw, M8 x 1.25 x 30 mm.....	4	647000-451
44	Shaft and Cam Assembly.....	1	P8000008700
45	+ Cam.....	1	556174-001
46	* + Key, 1/8 x 1/8".....	1	647000-416
47	Shaft.....	1	P8000008453
48	Screw C, M8 x 1.25 x 16mm Button Head.....	2	647000-499
49	Screw C, M16 x 2.0 x 50mm.....	16	647000-453
50	Shim:		
	.001".....	A/R	556330-001
	.002".....	A/R	556330-002
	.003".....	A/R	556330-003
	.004".....	A/R	556330-004
	.005".....	A/R	556330-005
51	Washer, M8 SS Lock.....	4	647000-497
52	Washer, Shim:		
	1.125 x 3/4 x .001".....	A/R	647000-461
	1.125 x 3/4 x .002".....	A/R	647000-462
	1.125 x 3/4 x .003".....	A/R	647000-463
	1.125 x 3/4 x .004".....	A/R	647000-464
	1.125 x 3/4 x .005".....	A/R	647000-465
53	+ Washer, Spring .88 x .62 x .012.....	1	647000-486
54	Key, 3/16 x 3/16.....	1	647000-500
55	Belleville Washer.....	1	P8000005566

+ Recommended Spare Parts

* Not Illustrated

R Updated since last revision.

@1 Pipe Plug for Test Well.

@2 When ordering, please provide the specific meter serial number(s) from the nameplate of the meter in which the board(s) would be installed. The following information must also be provided if different than the parameters of the original meter: UNITS, PULSES PER UNIT, and VISCOSITY.

@3 If Rotor (Item 39) or Blades (Item 33) are replaced, it is recommended to consider replacing Shims (Item 49), Shim Washers (Item 51) and Spring Washer (Item 52) to comply with the allowable clearances.

@4 If ordering a Rotor and Blade Assembly for a previous "D-Bore" design meter, use kit part number 556183-101. If the housing does not have ASME 150# flanges, consult factory for rotor assembly replacement part number.

The specifications contained herein are subject to change without notice and any user of said specifications should verify from the manufacturer that the specifications are currently in effect. Otherwise, the manufacturer assumes no responsibility for the use of specifications which may have been changed and are no longer in effect.