



## OPTITEMP TT 11 C/R **Technical Datasheet**

### Analogue 3-wire temperature transmitter

- Temperature linear 0...10 VDC output
- Rangeable with solder pads and potentiometers
- Moulded electronics for high protection

The documentation is only complete when used in combination with the relevant documentation for the sensor.

<b>1</b>	<b>Product features</b>	<b>3</b>
<hr/>		
1.1	The analogue, adjustable 3-wire temperature transmitter .....	3
1.2	Options and variants .....	5
1.3	Resistance thermometer .....	6
<b>2</b>	<b>Technical data</b>	<b>7</b>
<hr/>		
2.1	Technical data.....	7
2.2	Dimensions .....	9
<b>3</b>	<b>Installation</b>	<b>11</b>
<hr/>		
3.1	Notes on installation .....	11
3.2	Intended use .....	11
3.3	In-head transmitter .....	11
3.4	Rail mounting kit for in-head transmitters.....	13
3.5	Rail-mount transmitter .....	14
<b>4</b>	<b>Electrical connections</b>	<b>15</b>
<hr/>		
4.1	Safety instructions.....	15
4.2	Electrical input connections.....	16
4.2.1	In-head transmitter .....	16
4.2.2	Rail-mount transmitter .....	16
4.3	Electrical connection diagrams .....	16
4.3.1	In-head transmitter .....	17
4.3.2	Rail-mount transmitter .....	18
<b>5</b>	<b>Order information</b>	<b>20</b>
<hr/>		
5.1	Order code .....	20
<b>6</b>	<b>Notes</b>	<b>22</b>
<hr/>		

## 1.1 The analogue, adjustable 3-wire temperature transmitter

The **OPTITEMP TT 11** is an analogue, multirange 3-wire temperature transmitter which works together with single resistance thermometers of the type Pt100 and Pt1000. A special feature of the device is its 0...10 VDC output that predestines it for the HVAC systems in building services applications. The transmitter has a high reliability and a good industrial performance.

The **OPTITEMP TT 11** series consists of 2 different versions in terms of the mounting. The **TT 11 R** is the rail-mount version for DIN rails whereas the **TT 11 C** is primarily intended to be mounted in a "B connection head" or larger according to DIN 43729. As an alternative you can also mount the in-head version on a DIN rail according to DIN 50022 / EN 60715 with the help of an optionally available rail mounting kit.

The whole TT 11 transmitter series utilizes a modular design in hardware to ensure the quality and reliability of the transmitter signal output. In the standard delivery condition the transmitters are not preset. Therefore you have to make a complete solder pad configuration before using the devices for the first time. As an option the manufacturer offers preset transmitters according to the customer's order.



- ① In-head transmitter
- ② Rail-mount transmitter

**Highlights**

- 0...10 VDC output for building services applications
- Rangeable with solder pads and potentiometers
- Temperature linear output for Pt100 and Pt1000.
- Sensor break monitoring
- Polarity protected power supply
- Easy wiring, in-head version with large center hole
- In-head version with moulded electronics for high protection

**Applications**

- Heating, ventilation and air conditioning (HVAC) in building services applications

## 1.2 Options and variants

### In-head transmitter (TT 11 C)



There are two different installation situations for the in-head version. Primarily it is intended to be mounted in a "B connection head" or larger according to DIN 43729. As an alternative you can also mount it on a DIN rail according to DIN 50022 / EN 60715 with the help of an optionally available rail mounting kit.

### Rail-mount transmitter (TT 11 R)



The distinctive feature of the rail-mount version is the combination of a compact housing with an easy wiring and a very economic operation. The rail-mount transmitter is intended for installation on a DIN rail according to DIN 50022 / EN 60715. This allows to group several devices in limited space.

### 1.3 Resistance thermometer

The transmitter only works together with a measuring insert that has a Pt100 RTD. This kind of measuring inserts features a temperature-sensitive sensor made from a platinum RTD, whose value at 0°C / +32°F is 100 Ω. That is where the name "Pt100" comes from.

It is generally valid that the electric resistance of metals increases according to a mathematical function as the temperature rises. This effect is taken advantage of by resistance thermometers to measure temperature. The "Pt100" thermometer features a measuring resistance with defined characteristics, standardised in IEC 60751. The same is true for the tolerances. The average temperature coefficient of a Pt100 is  $3.85 \times 10^{-3} \text{ K}^{-1}$  in the range from 0...+100°C / +32...+212°F.

During operation, a constant current  $I (\leq 1 \text{ mA})$  flows through the Pt100 RTD, which brings about a voltage drop  $U$ . The resistance  $R$  is calculated using Ohm's Law ( $R=U/I$ ). As the voltage drop  $U$  at 0°C / +32°F is 100 mV, the resulting resistance of the Pt100 thermometer is 100 Ω (100 mV / 1 mA = 100 Ω).

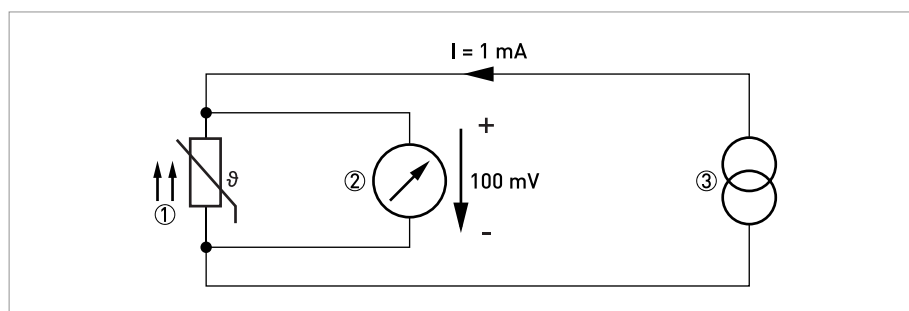


Figure 1-1: Pt100 resistance thermometer in 4-wire connection at 0°C / +32°F, schematic.

- ① Pt100 RTD
- ② Voltage meter
- ③ Current source

## 2.1 Technical data

- *The following data is provided for general applications. If you require data that is more relevant to your specific application, please contact us or your local representative.*
- *Additional information (certificates, special tools, software,...) and complete product documentation can be downloaded free of charge from the website (Download Center).*

### Measuring system

Application range	Temperature measurements especially in building services applications.
-------------------	--

### Design

<b>Versions</b>	
TT 11 C	In-head transmitter which is optionally available in an intrinsically safe version for installation in potentially explosive areas (zone 0).
TT 11 R	Rail-mount transmitter, not available as intrinsically safe version.
<b>Special feature</b>	
Sensor break monitoring	User-definable output: $\leq 0$ V or $> 11$ VDC

### Measuring accuracy

Accuracy	Typically $\pm 0.15\%$ of temperature span
----------	--

### Operating conditions

<b>Temperature</b>	
In-head transmitter	<b>Operating and storage temperature:</b>
	-40...+85°C / -40...+185°F
Rail-mount transmitter	<b>Operating and storage temperature:</b>
	-20...+70°C / -4...+158°F
Humidity	5...95% RH (non-condensing)
<b>Protection category</b>	
In-head transmitter	IP20 (with cover), IP10 (without cover)
Rail-mount transmitter	IP20

**Installation conditions**

Mounting	In-head transmitter: "B connection head" or larger according to DIN 43729; with the help of the rail mounting kit you can also fix this transmitters on a DIN rail according to DIN 50022 / EN 60715 ( refer to <i>Rail mounting kit for in-head transmitters</i> on page 13).
	Rail-mount transmitter: rail according to DIN 50022 / EN 60715, 35 mm / 1.38".
	For detailed information refer to chapter "Installation".
Weight	In-head transmitter : 40 g / 0.09 lb
	Rail-mount transmitter: 55 g / 0.12 lb
Dimensions	For detailed information refer to <i>Dimensions</i> on page 9.

**Materials**

Housing	In-head transmitter: PC
	Rail-mount transmitter: PC
Flammability acc. to UL	V0 (all versions)

**Electrical connections**

<b>Power supply</b>	In-head transmitter: 15...30 VDC
	Rail-mount transmitter: 15...30 VDC
Current consumption	12 mA
Galvanic isolation	No
Connection	Single/stranded wires: max. 1.5 mm <sup>2</sup> / AWG 16
Polarity protection	Standard for all versions

**Inputs / Outputs**

<b>Input</b>	
	Type of connection: 3-wire
	Span: 50/100/150/200°C and 100/200/300/400°F
	Zero point: -50...+50°C / -60...+120°F
	Fine adjustment: ±10%
Maximum lead resistance	11 Ω per wire
<b>Output</b>	
Output signal	0...10 VDC, temperature linear, 3- or 4-wire connection
Update time	≤ 200 ms
Permissible load	Min. 10 kΩ
NAMUR compliance	Current limitations and failure currents acc. to NAMUR NE 21 (for frequencies ≥ 150 kHz)

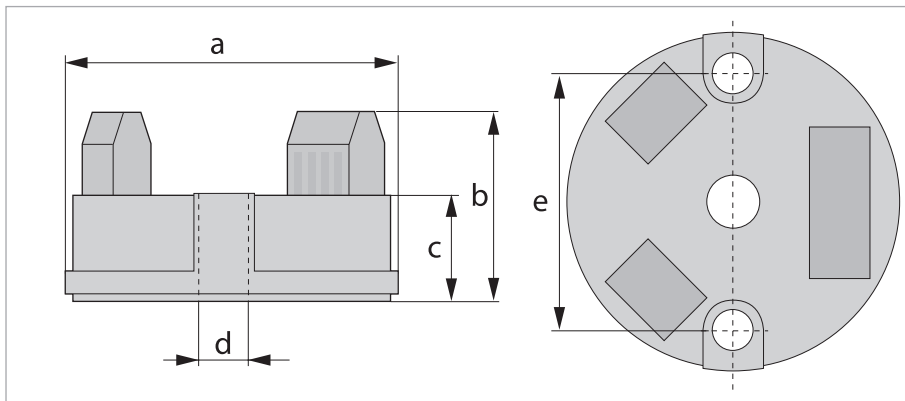


## Approvals and certifications

CE	The device fulfils the statutory requirements of the EC directives. The manufacturer certifies that these requirements have been met by applying the CE marking.
<b>Other standards and approvals</b>	
Electromagnetic compatibility	Directive: 2004/108/EC
	Harmonized standard EN 61326-1:2006

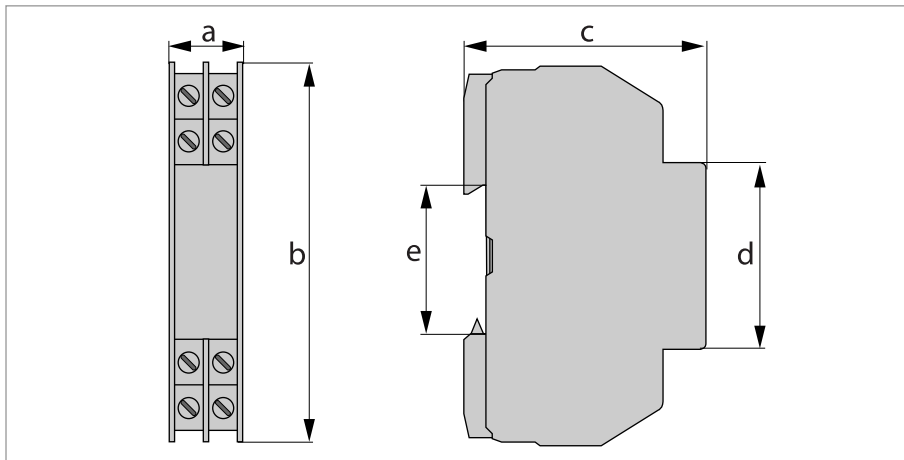
## 2.2 Dimensions

### In-head transmitter (Ex and Non-Ex)



	Dimensions	
	[mm]	[inches]
a	44	1.73
b	26	1.02
c	16	0.63
d	7	0.28
e	33	1.30

Rail-mount transmitter (Ex and Non-Ex)



	Dimensions	
	[mm]	[inches]
a	17.5	0.69
b	90	3.54
c	58	2.28
d	45	1.77
e	35	1.38

### 3.1 Notes on installation

*Inspect the cartons carefully for damages or signs of rough handling. Report damage to the carrier and to the local office of the manufacturer.*

*Do a check of the packing list to make sure that you have all the elements given in the order.*

*Look at the device nameplate to ensure that the device is delivered according to your order. Check for the correct supply voltage printed on the nameplate.*

### 3.2 Intended use

*Neither operate this transmitter in potentially explosive areas, nor connect it to a sensor located in a potentially explosive area! Otherwise the transmitter might cause an explosion that can result in fatal injuries!*

*Responsibility for the correct use of the devices with special regard to suitability, intended use and the field of application lies solely with the operator. To avoid any kind of incorrect use, also note the information in the chapter "Device description".*

*The transmitters do not contain any serviceable parts inside. Always send defective devices to the manufacturer or the local distributor for repair or exchange. If this is the case, attach a clear description of the malfunction for warranty claims.*

*The manufacturer is not liable for any damage resulting from improper use or use for other than the intended purpose. To avoid any kind of incorrect use, also note the information in the chapter "Device description"!*

The manufacturer has constructed these transmitters only for temperature measurements with single resistance thermometers of the type Pt100 and Pt1000. The main field of application are building services applications.

### 3.3 In-head transmitter

*Neither operate this transmitter in potentially explosive areas, nor connect it to a sensor located in a potentially explosive area! Otherwise the transmitter might cause an explosion that can result in fatal injuries!*

*The manufacturer has developed the in-head transmitter for an operating temperature range of  $-40...+85^{\circ}\text{C}$  /  $-40...+185^{\circ}\text{F}$ . To avoid destruction or damage of the device, always assure that the operating temperature does not exceed the permissible range. Also note that the thermowell transfers the process temperature to the transmitter housing. If the process temperature is close to or exceeds the maximum temperature of the transmitter, then the temperature in the transmitter housing can rise above the maximum permissible temperature!*

One way to decrease the heat transfer via the thermowell is to install the transmitter farther away from the heat source. An alternative is to make the thermowell longer. Inversely you can take similar measures if the temperature is below the specified minimum temperature.

The in-head transmitter is intended for installation in DIN B connection heads or larger. The large  $\varnothing 7$  mm / 0.28" center hole facilitates the electrical connection of the measurement sensor and the installation (for detailed information refer to the chapter "Dimensions and weights"). The following drawing shows the installation of the in-head transmitter with the help of the connection head installation kit:

*The connection head installation kit does not belong to the standard scope of delivery of the transmitter. All devices which are necessary to mount the transmitter on a measuring insert of the manufacturer belong to the scope of delivery of the measuring insert.*

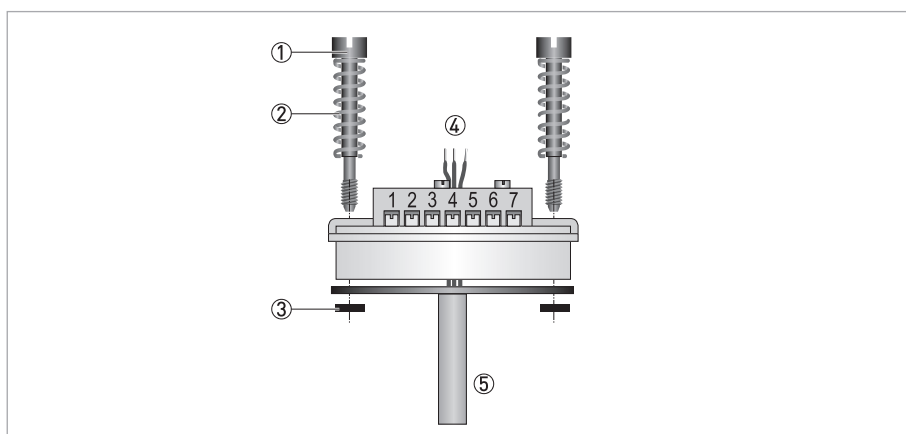


Figure 3-1: Connection head installation kit

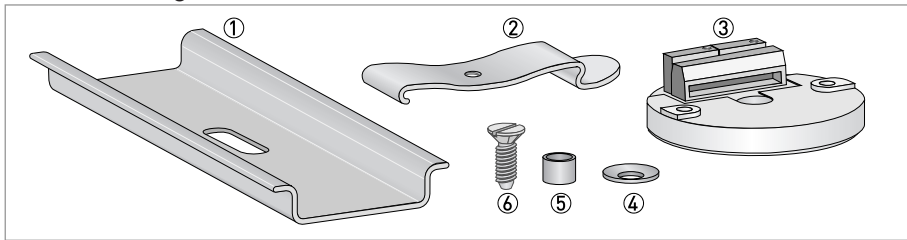
- ① M4 screw
- ② Spring
- ③ Lock washer
- ④ Wires of measuring insert
- ⑤ Sheath

### 3.4 Rail mounting kit for in-head transmitters

*To avoid fatal injuries, destruction or damage of the transmitter, always note the relevant admonitions in the previous section if you install the in-head-transmitter on a rail!*

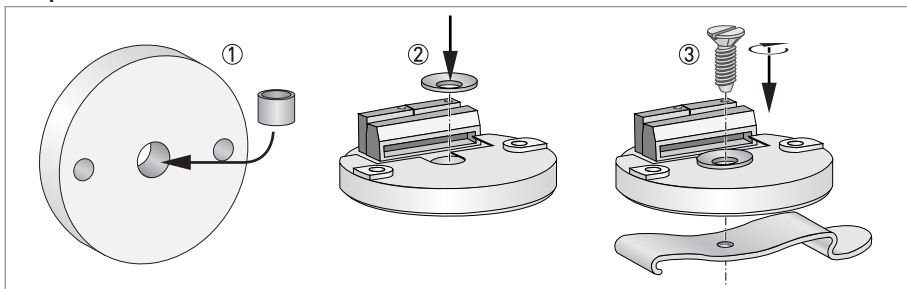
*The rail mounting kit allows to install the in-head transmitter on a rail according to DIN 50022. The kit does not belong to the standard scope of delivery, you have to order it separately. For more information refer to the section about the accessory parts in the chapter "Service".*

#### Rail mounting kit for in-head transmitters

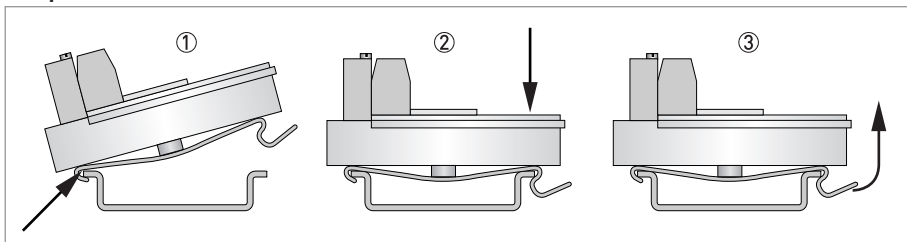


- ① Rail
- ② Clamp
- ③ Transmitter
- ④ Washer
- ⑤ Sleeve
- ⑥ Screw

#### Step 1



#### Step 2



### 3.5 Rail-mount transmitter

*Neither operate this transmitter in potentially explosive areas, nor connect it to a sensor located in a potentially explosive area! Otherwise the transmitter might cause an explosion that can result in fatal injuries!*

*The manufacturer has developed the rail-mount transmitter for an operating temperature range of  $-20...+70^{\circ}\text{C}$  /  $-4...+158^{\circ}\text{F}$ . To avoid destruction or damage of the device, always assure that the operating temperature does not exceed the permissible range.*

*The rail-mount transmitter is intended for installation on a rail according to DIN 50022.*

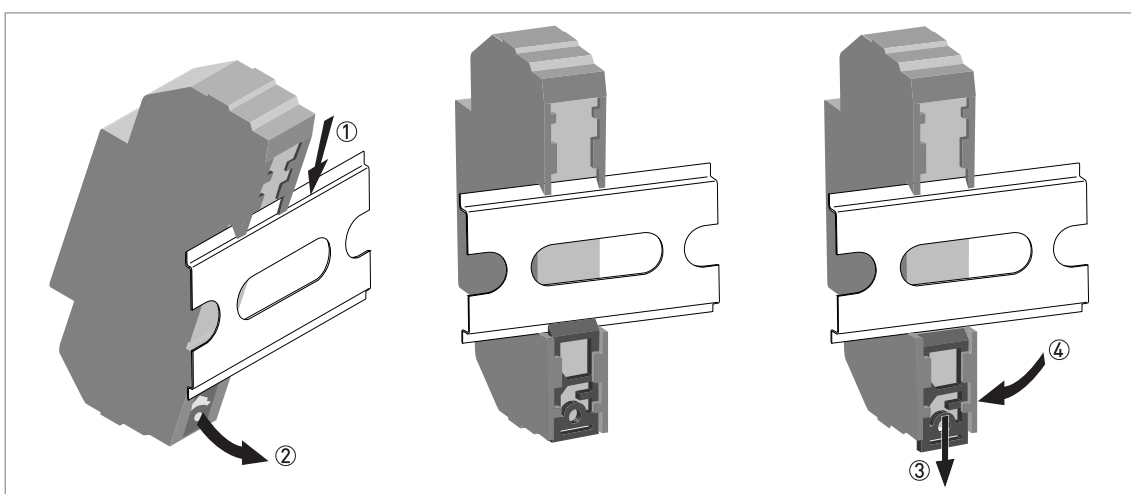


Figure 3-2: Installation of the rail-mount version

- ① Hook the upper groove of the transmitter onto the rail.
- ② Press the lower part of the transmitter against the rail.
- ➔ When you hear a "click" from the snap fastener, the transmitter is fixed onto the rail (drawing in the centre).
- ③ To remove the transmitter, use a small screwdriver to push the snap fastener downwards.
- ④ Carefully move the lower part of the transmitter in the forward direction and then upwards.

## 4.1 Safety instructions

*All work on the electrical connections may only be carried out with the power disconnected. Take note of the voltage data on the nameplate!*

*Observe the national regulations for electrical installations!*

*Before you connect and operate a transmitter, always note the following items to avoid an electric shock:*

- *For all work on the electrical connections use an electrostatic safe (i.e. grounded) workplace! In this way you minimize the risk of electrostatic discharge (ESD).*
- *Assure that the cover was closed after any work on the device. The cover prevents electrostatic discharge if the solder pads are touched inadvertently; furthermore it protects the solder pads against dirt.*

*Observe without fail the local occupational health and safety regulations. Any work done on the electrical components of the measuring device may only be carried out by properly trained specialists.*

*Look at the device nameplate to ensure that the device is delivered according to your order. Check for the correct supply voltage printed on the nameplate.*

*The transmitter is protected against polarity reversal. No damage will occur to the device if the polarity of the supply voltage is switched. The output will then indicate 0 mA.*

*The calibration of this transmitter works with potentiometers. Therefore assure that the transmitter is protected against heavy impacts or strong vibrations. Otherwise the calibration data could change.*

## 4.2 Electrical input connections

*Always establish the electrical connections according to the following diagrams. Otherwise it can come to destruction or damage of the transmitter.*

*To avoid measuring errors, assure that all cables are connected properly and that the screws are tightened correctly.*

### 4.2.1 In-head transmitter

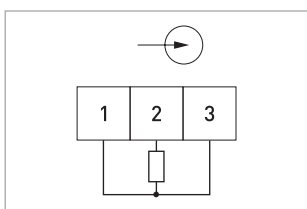


Figure 4-1: Pt100...1000, 3-wire input connection

### 4.2.2 Rail-mount transmitter

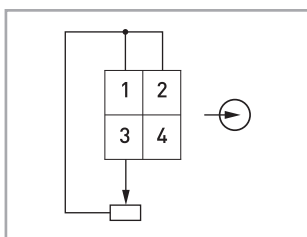


Figure 4-2: Pt100...1000, 3-wire connection

## 4.3 Electrical connection diagrams

*Always establish the electrical connections according to the following diagrams. Otherwise it can come to destruction or damage of the transmitter.*

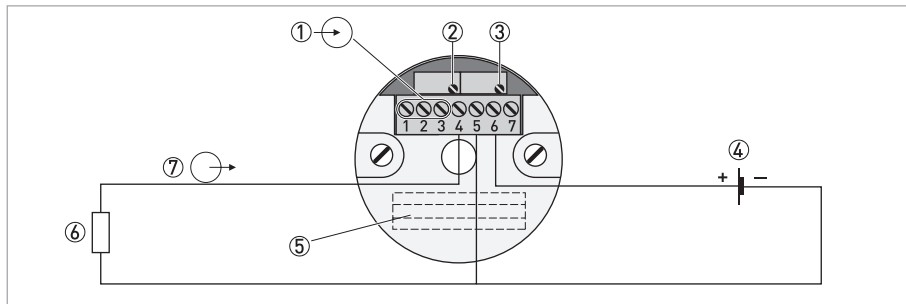
*To avoid measuring errors, assure that all cables are connected properly and that the screws are tightened correctly.*



### 4.3.1 In-head transmitter

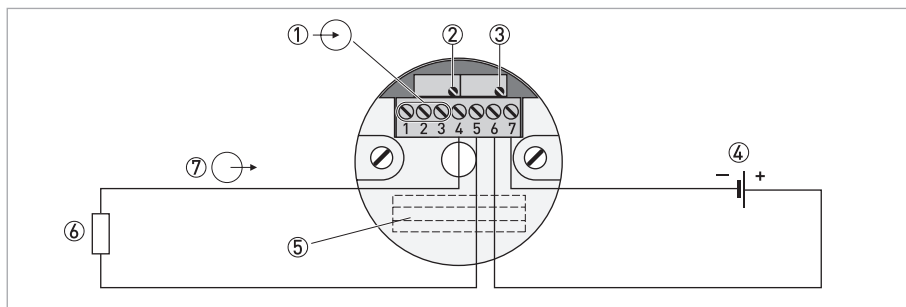
*Neither operate this transmitter in potentially explosive areas, nor connect it to a sensor located in a potentially explosive area! Otherwise the transmitter might cause an explosion that can result in fatal injuries!*

*The transmitter has a polarity protection. Connecting the power supply with a wrong polarity will not damage the transmitter.*



**Figure 4-3: Connection diagram of the in-head transmitter (3-wire configuration)**

- ① Terminals for input signal (1, 2 and 3)
- ② Potentiometer for zero point setting
- ③ Potentiometer for measuring span setting
- ④ Power supply (15...30 VDC), here on terminals 5 and 6 for 3-wire configuration
- ⑤ Solder pads
- ⑥ Load resistance
- ⑦ Output signal, terminals 4 and 5 (0...10 V)



**Figure 4-4: Connection diagram of the in-head transmitter (4-wire configuration)**

- ① Terminals for input signal (1, 2 and 3)
- ② Potentiometer for zero point setting
- ③ Potentiometer for measuring span setting
- ④ Power supply (15...30 VDC), here on terminals 6 and 7 for 4-wire configuration (offers a higher accuracy than the 3-wire configuration)
- ⑤ Solder pads
- ⑥ Load resistance
- ⑦ Output signal, terminals 4 and 5 (0...10 V)

### 4.3.2 Rail-mount transmitter

*Neither operate this transmitter in potentially explosive areas, nor connect it to a sensor located in a potentially explosive area! Otherwise the transmitter might cause an explosion that can result in fatal injuries!*

*The transmitter has a polarity protection. Connecting the power supply with a wrong polarity will not damage the transmitter.*

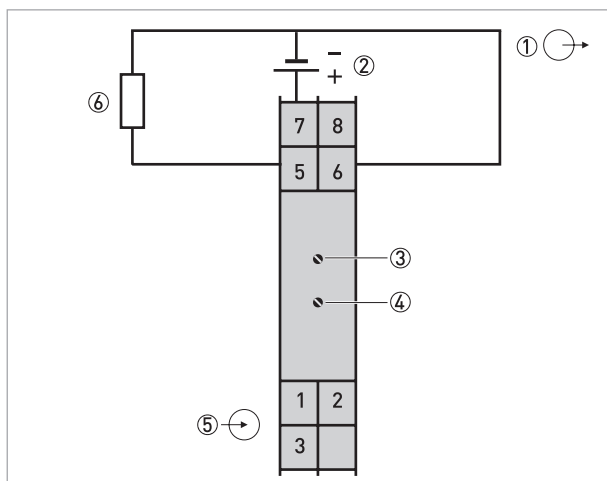


Figure 4-5: Connection diagram of the rail-mount transmitter (3-wire connection)

- ① Output signal (4...20 mA)
- ② Power supply
- ③ Potentiometer for zero point setting (Z)
- ④ Potentiometer for measuring span setting (S)
- ⑤ Terminals for input signal
- ⑥ Load resistance

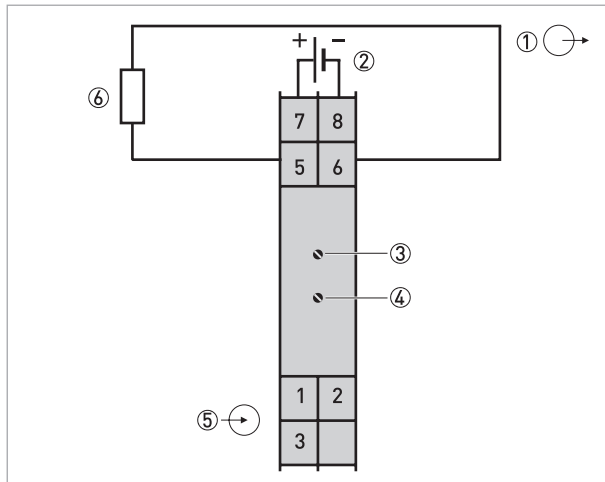


Figure 4-6: Connection diagram of the rail-mount transmitter (4-wire connection)

- ① Output signal (4...20 mA)
- ② Power supply
- ③ Potentiometer for zero point setting (Z)
- ④ Potentiometer for measuring span setting (S)
- ⑤ Terminals for input signal
- ⑥ Load resistance

## 5.1 Order code

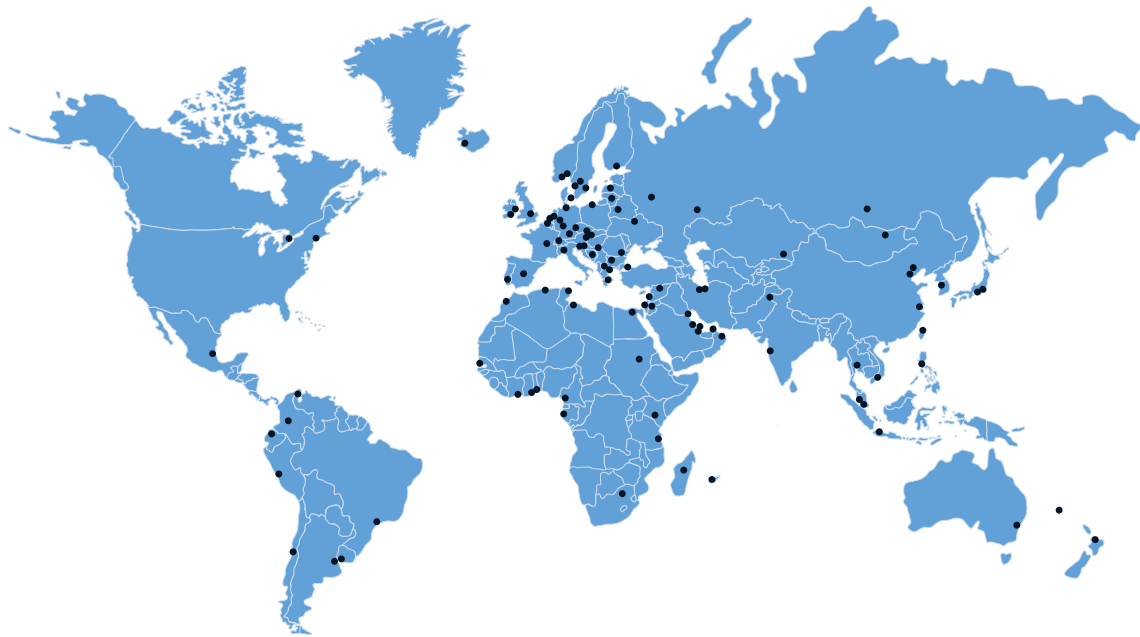
The characters of the order code highlighted in light grey describe the standard.

VTT1	4	<b>Design</b>
	1	Head mounting (type C)
	2	DIN-rail mounting, 35 mm / 1.38" (type R)
		<b>Type</b>
	2	TT 11, analogue, 0...10 VDC, only Pt100
	3	TT 11, analogue, 0...10 VDC, only Pt1000
		<b>Approvals</b>
	0	Without
		<b>Sensor</b>
	0	Without
	3	Pt100 ( $\alpha = 0.00385$ )
	8	Pt1000
		<b>Wiring</b>
	0	Without
	3	3-wire (1 x sensor)
		<b>Measuring range</b>
	0	Without
	1	-50...+50°C / -58...+122°F
	2	-50...+100°C / -58...+212°F
	3	-50...+150°C / -58...+302°F
	4	0...+50°C / +32...+122°F
	5	0...+100°C / +32...+212°F
	6	0...+150°C / +32...302°F
	7	0...+200°C / +32...+392°F
		<b>Certificates</b>
	0	Without
		<b>Accessories / phys. characteristics</b>
	0	Without
	1	With rail mounting kit for in-head transmitters, i.e. in-head transmitter is assembled to DIN rail clip to fix it on a rail (35 mm / 1.38").
VTT1	4	Continued on next page









## KROHNE product overview

- Electromagnetic flowmeters
- Variable area flowmeters
- Ultrasonic flowmeters
- Mass flowmeters
- Vortex flowmeters
- Flow controllers
- Level meters
- Temperature meters
- Pressure meters
- Analysis products
- Products and systems for the oil & gas industry
- Measuring systems for the marine industry

Head Office KROHNE Messtechnik GmbH  
Ludwig-Krohne-Str. 5  
47058 Duisburg (Germany)  
Tel.: +49 (0)203 301 0  
Fax: +49 (0)203 301 10389  
info@krohne.de

The current list of all KROHNE contacts and addresses can be found at:  
[www.krohne.com](http://www.krohne.com)

**KROHNE**