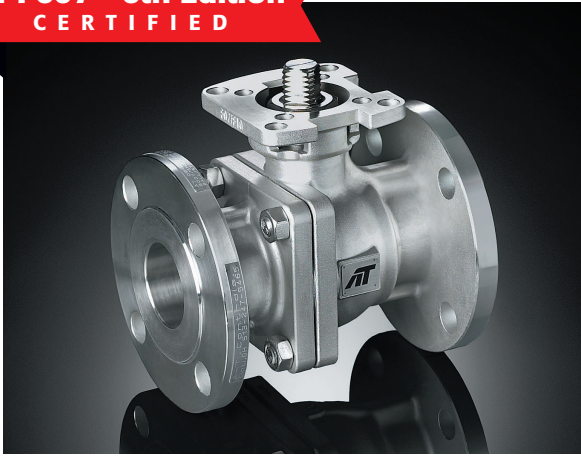
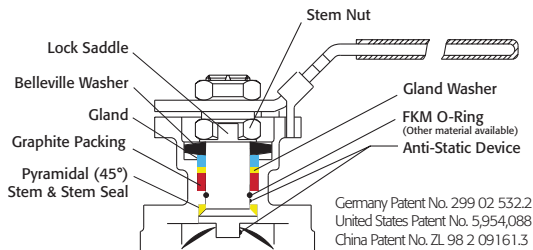


**API 607 - 6th Edition  
CERTIFIED**

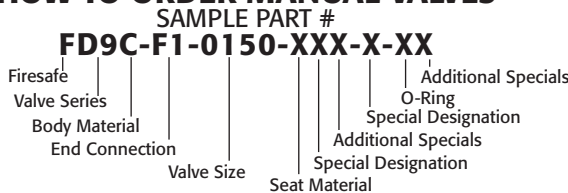


Triac FD9 Series Flanged Ball Valves feature a direct mount automation pad. The high quality investment castings feature a fully machined bore. The superior live-loaded packing system is accomplished with Belleville washers, "V" ring packing and a unique primary pyramidal stem seal. This advanced sealing system provides protection against stem leaks experienced by ordinary ball valves.



RTFE seats are standard, but various options are available for seat materials. The 50/50 STFE seat option is excellent for services that call for higher temperatures and more difficult applications, including steam. Call us for details.

**HOW TO ORDER MANUAL VALVES**



See part number matrix for optimized options.

**Easy to Automate!**

See automated data sheets for pre-sized assemblies



Pneumatic



Electric

**A-T Controls, Inc.**

**Series FD9**

**FIRESAFE**

**Direct Mount  
Split Body  
Flanged Ball Valve**

- Sizes 1/2"-12"
- ASME Class 150
- Full Port Design
- Superior Live Loaded Packing System
- ISO 5211 Actuator Mounting Pad
- Blowout Proof Stem w/ Dual Anti-Static Devices
- RTFE Seats Standard
- Pyramidal Stem Seal Design
- Monel Ball & Stem Available
- Lockable Manual Handle

**STANDARDS**

Design	ASME B16.34 (fully conforms)
Face to Face	ASME B16.10
Flange Dimensions	ASME B16.5
Pressure Testing	API 598
Fire Testing	1/2"-4" (SST & WCB), 6"-12" (WCB only) - API 607-6th Edition 6" (SST) - API-607-4th Edition
Fugitive Emissions	ISO 15848-1
Mounting	ISO 5211
CE Approval	2014/68/EU Module H
Sulfide Stress Protection	NACE MR0175
Safety Integrity	SIL 3; IEC 61508:2010
Material Certification	EN 10204-3.1 MTR
Quality Assurance	ISO 9001:2015

**TABLE OF CONTENTS:**

- Page 2,3 - Materials & Dimensions
- Page 4 - Technical Data
- Page 5 - Double Acting
- Page 6 - Spring Return
- Page 7 - Electric
- Page 8 - How to Order

**SERIES FD9 150# Direct Mount Split Body Flanged Ball Valve**

**Firesafe**

**A-T Controls, Inc.**

9955 International Blvd.  
Cincinnati, Ohio 45246  
www.atcontrols.com

PHONE (513) 247-5465  
FAX (513) 247-5462  
sales@atcontrols.com

# Series FD9

## High Performance, Full Port Split Body Ball Valve Series FD9 (ASME Class 150)

API 607 - 6th Edition  
CERTIFIED

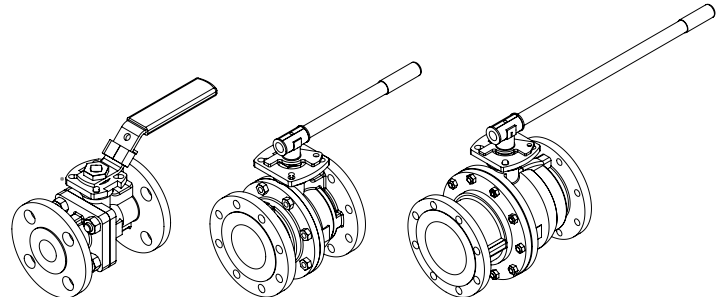
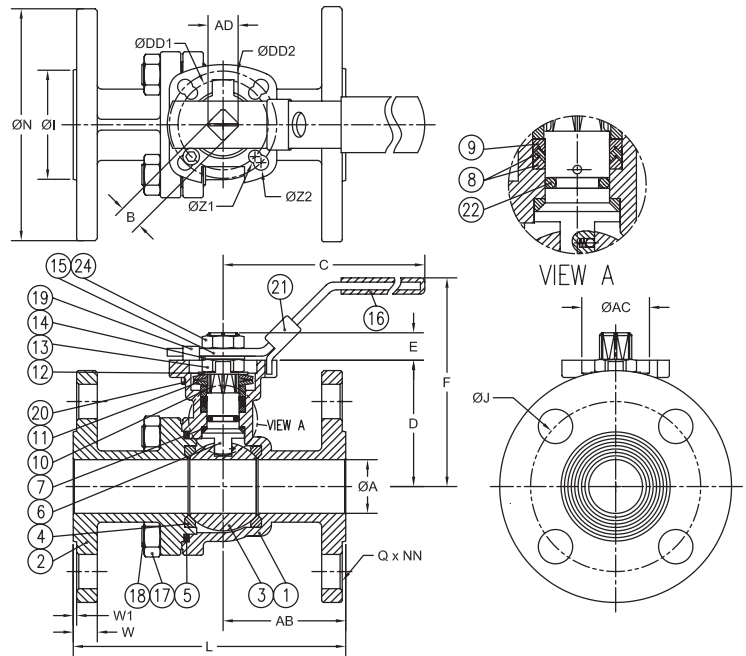
1/2" to 6"

### MATERIAL LIST

NO.	PART NAME	QTY	STAINLESS STEEL	CARBON STEEL	REPAIR KIT
1	BODY	1	ASTM A351 GRADE CF8M	ASTM A216 GRADE WCB	
2	END CAP	1	ASTM A351 GRADE CF8M	ASTM A216 GRADE WCB	
3	BALL	1	ASTM A351 GRADE CF8M	ASTM A351 GRADE CF8M	
4	SEAT	2	RTFE	RTFE	✓
5	JOINT GASKET	1	GRAPHITE	GRAPHITE	✓
6	STEM	1	ASTM A276 SS316	ASTM A276 SS316	
7	STEM SEAL	1	TFM™-1600	TFM™-1600	✓
8	GLAND PACKING	1	GRAPHITE	GRAPHITE	✓
9	GLAND WASHER	1	RTFE	RTFE	✓
10	GLAND BUSHING	1	AISI 304	AISI 304	
11	BELLEVILLE WASHER	2	AISI 301	AISI 301	
12	LOCK SADDLE	1	AISI 304	AISI 304	
13	STEM NUT	1	AISI 304	AISI 304	
14	STEM WASHER	1	AISI 304	AISI 304	
15	HANDLE	1	AISI 304	AISI 304	
16	HANDLE SLEEVE	1	VINYL	VINYL	
17	BODY NUT	*	ASTM A194 GRADE 8M	ASTM A194 GRADE 2HM	
18	BODY STUD	*	ASTM A193 GRADE B8M	ASTM A193 GRADE B7M	
19	STOP BOLT	1	AISI 304	AISI 304	
20	STOP BOLT NUT	1	AISI 304	AISI 304	
21	HANDLE LOCK	1	AISI 304	AISI 304	
22	STEM O-RING	1	FKM	FKM	✓
23	ANTI-STATIC DEVICE	2	AISI 316	AISI 316	
24	HANDLE NUT	1	AISI 304	AISI 304	

\* 1/2" THRU 2" QTY = 4 PCS  
\* 2-1/2" THRU 4" QTY = 8 PCS

\*6" QTY = 10 PCS



BENT HANDLE SIZES 1/2" - 2-1/2"  
PIPE HANDLE SIZES 3" - 4"  
PIPE HANDLE SIZE 6"

NOTE: A-T CONTROLS RECOMMENDS A GEAR FOR 6" VALVES AND LARGER

### DIMENSIONS (IN)

SIZE	A	B	C	D	E	F	I	J	L	N	Q	W	WI	Z1	Z2	AB	AC	AD	DD1	DD2	NN	ISO 5211	(LBS)
1/2"	0.59	0.433	6.50	1.84	0.39	3.30	1.38	2.38	4.26	3.50	0.63	0.44	0.06	0.26	0.28	1.84	1.26	0.55	1.654	1.969	4	F04/F05	4.0
3/4"	0.79	0.433	6.50	2.02	0.39	3.45	1.69	2.74	4.62	3.88	0.63	0.44	0.06	0.26	0.28	2.18	1.26	0.55	1.654	1.969	4	F04/F05	5.0
1"	0.98	0.433	6.50	2.31	0.41	3.81	2.00	3.12	5.00	4.25	0.63	0.44	0.06	0.26	0.28	2.21	1.26	0.55	1.654	1.969	4	F04/F05	7.0
1-1/2"	1.50	0.748	10.32	3.51	0.75	5.60	2.88	3.88	6.50	5.00	0.63	0.56	0.06	0.39	0.47	2.83	2.09	0.94	2.756	4.016	4	F07/F10	14.5
2"	1.97	0.748	10.32	3.80	0.75	5.78	3.62	4.75	7.02	6.00	0.75	0.63	0.06	0.39	0.47	3.38	2.09	0.94	2.756	4.016	4	F07/F10	20.5
2-1/2"	2.56	0.748	10.32	4.57	0.75	6.75	4.12	5.50	7.48	7.00	0.75	0.69	0.06	0.39	0.47	3.06	2.09	0.94	2.756	4.016	4	F07/F10	31.0
3"	3.15	0.866	14.37	5.22	0.91	8.05	5.00	6.00	8.01	7.50	0.75	0.75	0.06	0.47	0.55	4.01	2.55	1.18	4.016	4.921	4	F10/F12	41.0
4"	3.94	0.866	14.37	6.18	0.91	9.00	6.19	7.50	9.00	9.00	0.75	0.94	0.06	0.47	0.55	4.07	2.55	1.18	4.016	4.921	8	F10/F12	67.5
6"	5.91	1.063	29.53	8.28	1.12	12.50	8.50	9.50	15.50	11.0	0.87	1.00	0.06	0.55	0.71	7.00	2.97	1.41	4.921	5.511	8	F12/F14	145.0

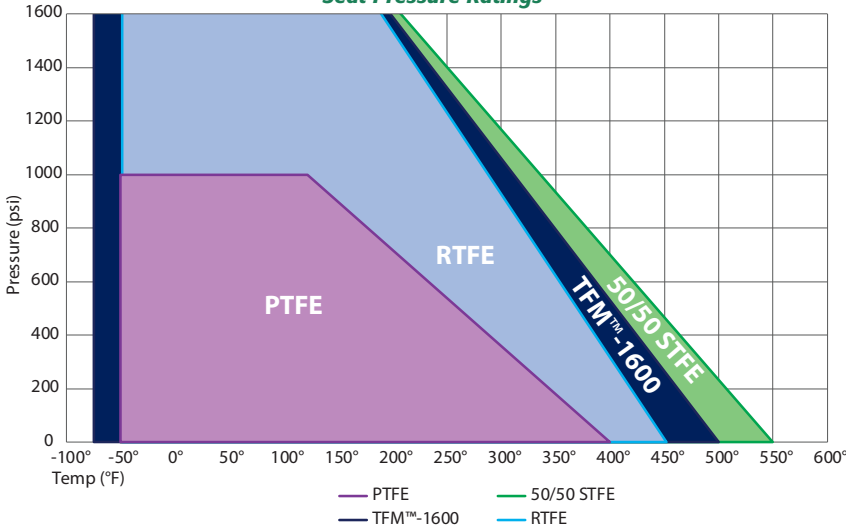


# Series FD9

## High Performance, Full Port Split Body Ball Valve Series FD9 (ASME Class 150)

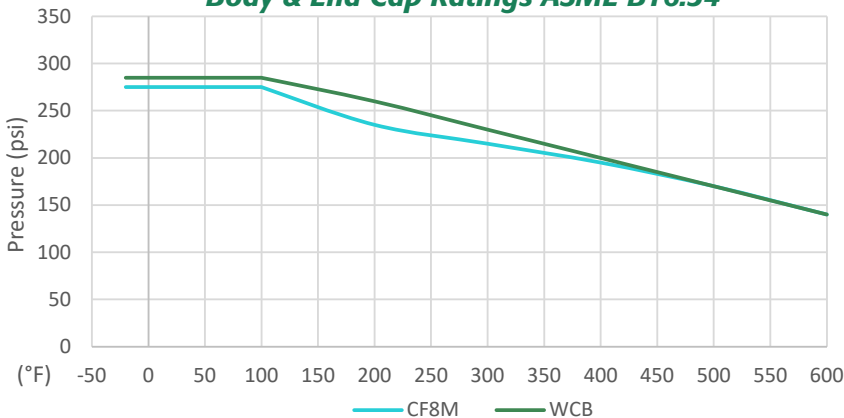
API 607 - 6th Edition  
CERTIFIED

Pressure vs. Temperature - Series D9/FD9-F1  
Seat Pressure Ratings



Temp	Pressure - Seat Material			
	RTFE	STFE	PTFE	TFM™-1600
-75°				2000
-50°	2000	2000	1000	2000
100°	2000	2000	1000	2000
122°	2000	2000	1000	2000
150°	1829	1869	899	1852
200°	1524	1636	719	1587
250°	1220	1402	540	1323
300°	915	1168	360	1058
350°	610	935	180	794
400°	305	701	0	529
450°	0	467		265
500°		234		0
550°		0		

Pressure vs. Temperature - Series D9/FD9-F1  
Body & End Cap Ratings ASME B16.34



Temp (°F)	WCB psi	CF8M psi
-20°	285	275
100°	285	275
200°	260	235
300°	230	215
400°	200	195
500°	170	170
600°	140	140

Component Temperature Ratings		
COMPONENT	MATERIAL	TEMPERATURE
Stem Packing	Graphite	-100°F to 1100°F
Stem Seal	TFM™-1600	-75°F to 500°F
Gaskets	Graphite	-100°F to 1100°F
Seats (Other Materials Available)	PTFE	-50°F to 400°F
	RTFE (standard)	-50°F to 450°F
	TFM™-1600	-75°F to 500°F
	50/50 STFE	-50°F to 550°F
O-Rings	FKM (standard)	-20°F to 450°F
	Markez® Z1028	5°F to 608°F
	Kalrez® 4079	30°F to 600°F
	Chemraz® 505	-22°F to 446°F
	Kalrez® 6375	-4°F to 527°F
	Perlast® G75M	5°F to 500°F
	Chemraz® 564	-40°F to 445°F
	Low Temp Buna	-65°F to 275°F
	EPDM	-70°F to 250°F
	Silicone	-60°F to 400°F

NOTE: At temperature, valves are limited by either the valve body/ end cap pressure ratings, seat pressure ratings, or packing/stem seal/gaskets; whichever is lower.

Break Away Torque for RTFE Seats	
SIZE	IN-LBS.
1/2"	45
3/4"	73
1"	91
1-1/2"	230
2"	297
2-1/2"	535
3"	768
4"	1,250
6"	3,000
8"	6,500
10"	13,000*
12"	26,000*

Published torques are based on full differential pressure with clean water. Consult the Application Sizing Guide for assistance with sizing actuators.

\*NOTE: 10" & 12" torques are at 100 psig with clean, lubricating fluid. Please consult factory for torques at full differential pressure.

SIZE	Cv
1/2"	15
3/4"	45
1"	85
1-1/2"	275
2"	460
2-1/2"	700
3"	1,100
4"	2,200
6"	5,150
8"	10,000
10"	16,400
12"	23,800



# Pneumatic Double Acting Automated Ball Valve Package

Series FD9  
ASME Class 150  
Flanged Ball Valve  
Direct Mount

Firesafe

Sizes 1/2" - 12"

ASME Class 150

Full Port Design

Superior Live Loaded Packing System

Blowout Proof Stem w/ Dual Anti-Static Devices

RTFE Seats Standard

Pyramidal Stem Seal Design

Monel Ball & Stem Available

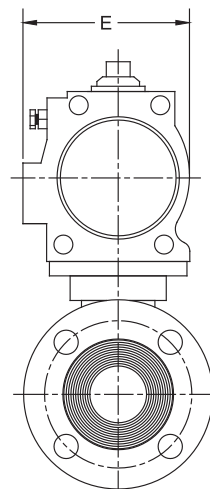
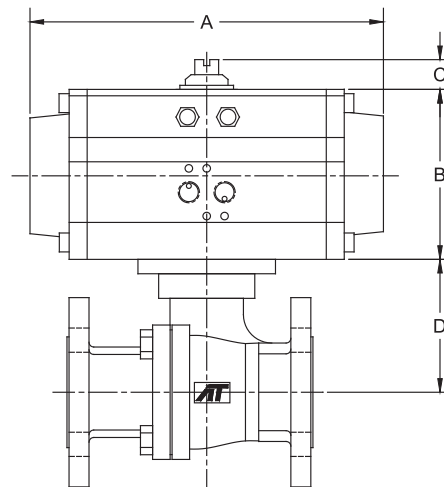
### STANDARDS

Design	ASME B16.34 (fully conforms)
Face to Face	ASME B16.10
Flange Dimensions	ASME B16.5
Pressure Testing	API 598
Fire Testing	
	1/2"-4" (SST & WCB), 6"-12" (WCB only) - API 607-6th Edition
	6" (SST) - API-607-4th Edition
Fugitive Emissions	ISO 15848-1
Mounting	ISO 5211
CE Approval	2014/68/EU Module H
Sulfide Stress Protection	NACE MR0175
Safety Integrity	SIL 3; IEC 61508:2010
Material Certification	EN 10204-3.1 MTR
Quality Assurance	ISO 9001:2015

API 607 - 6th Edition  
CERTIFIED



ASME Class 150  
Firesafe Tested to API-607  
Direct Mount



### DIMENSIONS (IN)

VALVE SIZE	A	B	C	D	E	VALVE Cv
1/2"	6.50	2.84	0.787	1.84	2.82	15
3/4"	6.50	2.84	0.787	2.02	2.82	45
1"	6.50	2.84	0.787	2.31	2.82	85
1-1/2"	9.29	4.30	0.787	3.51	4.18	275
2"	9.29	4.30	0.787	3.80	4.18	450
2-1/2"	9.29	4.30	0.787	4.57	4.18	700
3"	13.39	6.14	0.787	5.22	5.59	1100
4"	13.39	6.14	0.787	6.18	5.59	2200
6"	15.35	6.811	1.181	8.28	5.98	5150

DIMENSIONS SHOWN ARE FOR ASSEMBLIES SIZED FOR 80 PSI SUPPLY

SERIES FD9 150# Flanged Direct Mount

Firesafe

SIZED FOR 80 psi AIR SUPPLY	
SIZE	MODEL
1/2"	FD9-F1-050/3RDD-XX
3/4"	FD9-F1-075/3RDD-XX
1"	FD9-F1-100/3RDD-XX
1-1/2"	FD9-F1-150/3RFD-XX
2"	FD9-F1-200/3RFD-XX
2-1/2"	FD9-F1-250/3RFD-XX
3"	FD9-F1-300/3RJD-XX
4"	FD9-F1-400/3RJD-XX
6"	FD9-F1-600/3RKD-XX

SIZED FOR 60 psi AIR SUPPLY	
SIZE	MODEL
1/2"	FD9-F1-050/3RDD-XX
3/4"	FD9-F1-075/3RDD-XX
1"	FD9-F1-100/3RDD-XX
1-1/2"	FD9-F1-150/3RFD-XX
2"	FD9-F1-200/3RFD-XX
2-1/2"	FD9-F1-250/3RFD-XX
3"	FD9-F1-300/3RJD-XX
4"	FD9-F1-400/3RJD-XX
6"	FD9-F1-600/3RKD-XX

OPTIONS		
SUFFIX 1	Accessories/Options	Model no.
X	No Specials	
A	TYPE 4 Solenoid 120VAC	TVCS-X411-4N-A120
B	TYPE 7 Solenoid 120VAC	TVC6-X411-7N-A120
C	Intrinsically Safe Solenoid	TVIS-X411-4N-D24
D	TYPE 4 Solenoid 24VDC	TVCS-X411-4N-D24
F	TYPE 7 Solenoid 24VDC	TVC6-X411-7N-D24
Q	TYPE 4 SST Solenoid 120VAC	TVSS-X411-4N-A120
M	TYPE 7 SST Solenoid 120VAC	TVSS-X411-7N-A120
L	TYPE 4 SST Solenoid 24VDC	TVSS-X411-4N-D24
N	TYPE 7 SST Solenoid 24VDC	TVSS-X411-7N-D24
P	Pneumatic Positioner	PPR-1200
E	Electro-Pneumatic Positioner	EPR-1000
SUFFIX 2	Accessories	Model no.
X	No Specials	
A	TYPE 4 Limit Switch	APL-210N
B	TYPE 7 Limit Switch	APL-510N
C	Intrinsically Safe Limit Switch	APL-218N
Q	TYPE 4 SST Limit Switch	APL-910N
M	TYPE 7 SST Limit Switch	APL-510S

Other options available - call for details.  
Actuators are sized based on full differential pressure with clean water. Consult the Application Sizing Guide for assistance with sizing actuators.

SAMPLE PART #  
**FD9C-F1-150/3RFD-XX**

Firesafe |  
Valve Series |  
Carbon Steel |  
End Connection |  
Seat Material |  
Valve Size |  
TRIAC Actuator Series |  
Actuator Size |  
Double Acting |

See automated part number matrix on back cover for complete part number and options.

SUFFIX 1: Solenoids  
SUFFIX 2: Limit Switch

# Pneumatic Spring Return Automated Ball Valve Package

Series FD9  
ANSI Class 150  
Flanged Ball Valve  
Direct Mount

- Firesafe
- Sizes 1/2" - 12"
- ASME Class 150
- Full Port Design
- Superior Live Loaded Packing System
- Blowout Proof Stem w/ Dual Anti-Static Devices
- RTFE Seats Standard
- Pyramidal Stem Seal Design
- Monel Ball & Stem Available

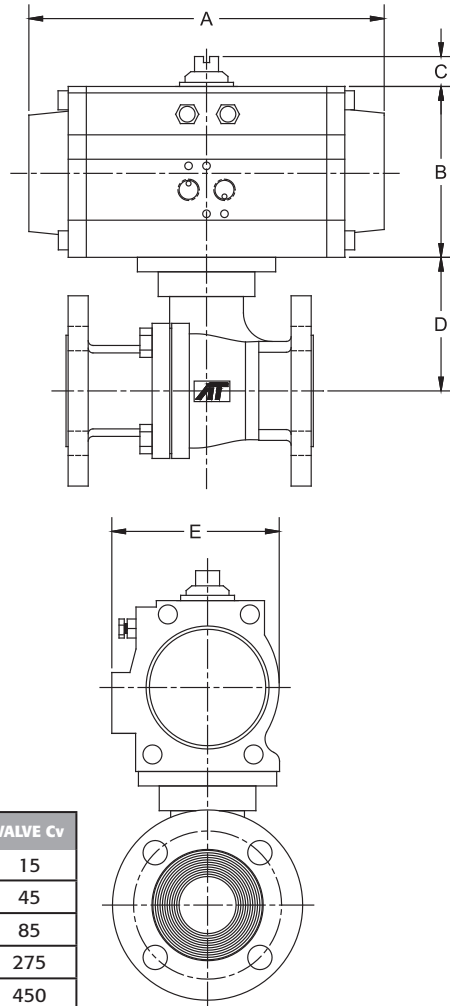
### STANDARDS

Design	ASME B16.34 (fully conforms)
Face to Face	ASME B16.10
Flange Dimensions	ASME B16.5
Pressure Testing	API 598
Fire Testing	1/2"-4" (SST & WCB), 6"-12" (WCB only) - API 607-6th Edition 6" (SST) - API 607-4th Edition
Fugitive Emissions	ISO 15848-1
Mounting	ISO 5211
CE Approval	2014/68/EU Module H
Sulfide Stress Protection	NACE MR0175
Safety Integrity	SIL 3; IEC 61508:2010
Material Certification	EN 10204-3.1 MTR
Quality Assurance	ISO 9001:2015

**API 607 - 6th Edition  
CERTIFIED**



ASME Class 150  
Firesafe Tested to API-607  
Direct Mount



### DIMENSIONS (IN)

VALVE SIZE	A	B	C	D	E	VALVE Cv
1/2"	7.60	3.47	0.787	1.84	3.35	15
3/4"	7.60	3.47	0.787	2.02	3.35	45
1"	7.60	3.47	0.787	2.31	3.35	85
1-1/2"	11.02	4.61	0.787	3.51	4.27	275
2"	11.02	4.61	0.787	3.80	4.27	450
2-1/2"	11.50	5.28	0.787	4.57	5.78	700
3"	15.35	6.81	1.181	5.22	5.98	1100
4"	15.35	6.81	1.181	6.18	5.98	2200
6"	22.36	9.06	1.181	8.28	8.11	5150

DIMENSIONS SHOWN ARE FOR ASSEMBLIES SIZED FOR 80 PSI SUPPLY

**SERIES FD9 150# Flanged Direct Mount**

**Firesafe**

SIZED FOR 80 psi AIR SUPPLY	
SIZE	MODEL
1/2"	FD9-F1-050/3RES-XX
3/4"	FD9-F1-075/3RES-XX
1"	FD9-F1-100/3RES-XX
1-1/2"	FD9-F1-150/3RGS-XX
2"	FD9-F1-200/3RGS-XX
2-1/2"	FD9-F1-250/3RHS-XX
3"	FD9-F1-300/3RKS-XX
4"	FD9-F1-400/3RKS-XX
6"	FD9-F1-600/3RPS-XX

SIZED FOR 60 psi AIR SUPPLY	
SIZE	MODEL
1/2"	FD9-F1-050/3RE4-XX
3/4"	FD9-F1-075/3RE4-XX
1"	FD9-F1-100/3RE4-XX
1-1/2"	FD9-F1-150/3RG4-XX
2"	FD9-F1-200/3RG4-XX
2-1/2"	FD9-F1-250/3RJ4-XX
3"	FD9-F1-300/3RK4-XX
4"	FD9-F1-400/3RL4-XX
6"	FD9-F1-600/3RR4-XX

### OPTIONS

SUFFIX 1	Accessories/Options	Model no.
X	No Specials	
A	TYPE 4 Solenoid 120VAC	TVCS-X411-4N-A120
B	TYPE 7 Solenoid 120VAC	TVC6-X411-7N-A120
C	Intrinsically Safe Solenoid	TVIS-X411-4N-D24
D	TYPE 4 Solenoid 24VDC	TVCS-X411-4N-D24
F	TYPE 7 Solenoid 24VDC	TVC6-X411-7N-D24
Q	TYPE 4 SST Solenoid 120VAC	TVSS-X411-4N-A120
M	TYPE 7 SST Solenoid 120VAC	TVSS-X411-7N-A120
L	TYPE 4 SST Solenoid 24VDC	TVSS-X411-4N-D24
N	TYPE 7 SST Solenoid 24VDC	TVSS-X411-7N-D24
P	Pneumatic Positioner	PPR-1200
E	Electro-Pneumatic Positioner	EPR-1000
SUFFIX 2	Accessories	Model no.
X	No Specials	
A	TYPE 4 Limit Switch	APL-210N
B	TYPE 7 Limit Switch	APL-510N
C	Intrinsically Safe Limit Switch	APL-218N
Q	TYPE 4 SST Limit Switch	APL-910N
M	TYPE 7 SST Limit Switch	APL-510S

Other options available - call for details.  
Actuators are sized based on full differential pressure with clean water. Consult the Application Sizing Guide for assistance with sizing actuators.

SAMPLE PART #  
**FD9C-F1-150/3RGS-XX**

Firesafe | Valve Series | Carbon Steel | End Connection | Seat Material | Valve Size | TRIAC Actuator Series | Actuator Size | Spring Return

See automated part number matrix on back cover for complete part number and options.

SUFFIX 1: Solenoids  
SUFFIX 2: Limit Switch

# Electric

## Automated Ball Valve Package

Series FD9  
ASME Class 150  
Flanged Ball Valve  
Direct Mount

Firesafe

Sizes 1/2"-12"

ASME Class 150

Full Port Design

Superior Live Loaded  
Packing System

Blowout Proof Stem w/ Dual  
Anti-Static Devices

RTFE Seats Standard

Pyramidal Stem Seal Design

Monel Ball & Stem Available

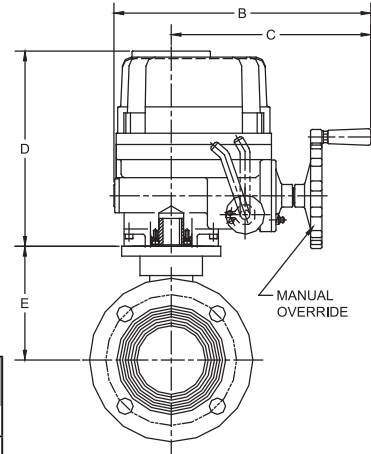
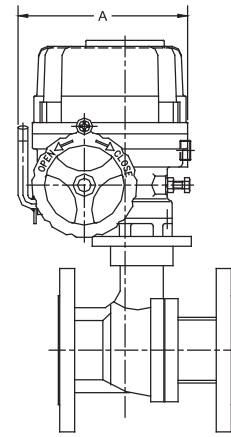
### STANDARDS

Design	ASME B16.34 (fully conforms)
Face to Face	ASME B16.10
Flange Dimensions	ASME B16.5
Pressure Testing	API 598
Fire Testing	
	1/2"-4" (SST & WCB), 6"-12" (WCB only) - API 607-6th Edition
	6" (SST) - API-607-4th Edition
Fugitive Emissions	ISO 15848-1
Mounting	ISO 5211
CE Approval	2014/68/EU Module H
Sulfide Stress Protection	NACE MR0175
Safety Integrity	SIL 3; IEC 61508:2010
Material Certification	EN 10204-3.1 MTR
Quality Assurance	ISO 9001:2015

**API 607 - 6th Edition  
CERTIFIED**



ASME Class 150  
Firesafe Tested to API-607  
Direct Mount



### DIMENSIONS (IN)

VALVE SIZE	A	B	C	D	E	VALVE Cv
1/2"	4.98	4.08	N/A	5.24	1.84	15
3/4"	4.98	4.08	N/A	5.24	2.02	45
1"	4.98	4.08	N/A	5.24	2.31	85
1-1/2"	4.98	4.08	N/A	5.24	3.51	275
2"	4.98	4.08	N/A	5.24	3.80	450
2-1/2"	9.02	13.31	8.19	10.55	4.57	700
3"	9.02	13.31	8.19	10.55	5.22	1,100
4"	10.20	14.49	10.43	11.42	6.18	2,200
6"	10.20	14.49	11.26	11.97	8.28	5,150

**SERIES FD9 150# Flanged Direct Mount Firesafe**

ON-OFF	
SIZE	MODEL
1/2"	FD9-F1-050/WEA1-XX
3/4"	FD9-F1-075/WEA1-XX
1"	FD9-F1-100/WEA1-XX
1-1/2"	FD9-F1-150/WEA1-XX
2"	FD9-F1-200/WEA1-XX
2-1/2"	FD9-F1-250/WEC1-XX
3"	FD9-F1-300/WEC1-XX
4"	FD9-F1-400/WEE1-XX
6"	FD9-F1-600/WEF1-XX

MODULATING	
SIZE	MODEL
1/2"	FD9-F1-050/WEA2-XX
3/4"	FD9-F1-075/WEA2-XX
1"	FD9-F1-100/WEA2-XX
1-1/2"	FD9-F1-150/WEA2-XX
2"	FD9-F1-200/WEA2-XX
2-1/2"	FD9-F1-250/WEC2-XX
3"	FD9-F1-300/WEC2-XX
4"	FD9-F1-400/WEE2-XX
6"	FD9-F1-600/WEF2-XX

### OPTIONS

Suffix 1	Voltage / Accessory	Model No.
X	No Specials	
R	24VDC Electric Actuator	
S	220VAC Electric Actuator	
T	Other Voltage Electric Actuator	
W	12VDC Electric Actuator	
Y	24VAC Electric Actuator	

\* No voltage specified on electric assemblies denotes 120VAC

### Suffix 2 Accessories

X	No Specials
1	HS1 High Speed Electric
2	HS2 High Speed Electric

Other options available - call for details  
Actuators are sized based on full differential pressure with clean water. Consult the Application Sizing Guide for assistance with sizing actuators.

SAMPLE PART #  
**FD9C-F1-150/WEA1-XX**

Firesafe |  
Valve Series |  
Carbon Steel |  
End Connection |  
Seat Material |  
Valve Size |  
TRIAC Actuator Series |  
Actuator Size |  
On-Off |  
SUFFIX 1: Voltage |  
SUFFIX 2: Options |

See automated part number matrix on back cover for complete part number and options.

# Series FD9 HOW TO ORDER: Manual Valves

1	Prefix		
F	Firesafe Tested (see valve series for details & testing)		
2	Valve Series		
D9	Direct Mount Flanged		
3	Body/Ball/Stem Material		
Blank	Valve Series Standard (316SST)		
C	Carbon Steel Body		
L	Low Carbon 316L Stainless Steel		
Q	Carbon Body/Monel Ball & Stem		
R	316 SST Body/Monel Ball & Stem		
4	End Connection		
F1	150# Flanged Ends		
5	Valve Size		
0050	1/2"	0300	3"
0075	3/4"	0400	4"
0100	1"	0600	6"
0150	1-1/2"	0800	8"
0200	2"	1000	10"
0250	2-1/2"	1200	12"

6	Seat, Lining & Trim Materials		
X	Reinforced TFE Seats (RTFE)		
P	Virgin TFE Seats (PTFE)		
U	UHMWPE Seats		
S	50/50 STFE Seats		
C	25% CS Powder/75% TFE Seats (CTFE)		
T	TFM™-1600 Seats		
A	50% SS Powder / 50% TFM™-1600 Seats (STFM)		
F	PTFE Cavity Filler Seats		
M	MG1241 Seats		
Z	PEEK Seats		
7	Special Designation		
X	No Specials/Series Standard		
G	Gear Operator		
H	Gear Operator with Lockout Plate		
O	Oval Handle (available in some)		
S	Spring Return (Direct Mount Only)		
4	4" Lockable Stem Extension		
8	Additional Specials		
X	No Specials, Series Standard		
O	Oxygen Cleaned		
V	Vented Ball		
E	Bonnet Extension Lockable Handle		
D	Degreased & Bagged		
A	Vented Ball, Degreased & Bagged		
B	Vented Ball, Oxygen Cleaned		

9	Special Designation	
Blank	No Designation, Valve Series Standard	
X	Multiple Option Designation	
A	17-4 PH® Stem	
H	Hard Coated (HMF) Ball	
10	O-Ring	
X	Multiple Option Designation	
2	Markez® Z1028	
4	Kalrez 4079	
5	Chemraz 505	
6	Kalrez 6375	
7	Perlast® G75M	
9	Chemraz® 564	
B	Low Temp Buna	
E	EPDM	
11	Additional Specials	
X	Multiple Option Designation	
B	B7M Bolting	
E	CE/PED Certified	
M	Marine Epoxy Coating	

**HOW TO ORDER MANUAL VALVES**

1 2 3 - 4 - 5 - 6 7 8 - 9 - 10 11  
 ↓ ↓ ↓ ↓ ↓ ↓ ↓ ↓ ↓ ↓ ↓ ↓  
**F D9 C - F1 - 0150 - X X X**

17-4 PH® is a registered trademark of AK Steel Corporation. Chemraz® is a registered trademark of Greene, Tweed & Co. Perlast® is a registered trademark of Precision Polymer Engineering Limited. TFM™ is a trademark of Dyneon™, a 3M Company. Markez® is a registered trademark of Marco Rubber & Plastic Products Inc.

## HOW TO ORDER: Automated Valves

1	Prefix		
F	Firesafe Tested (see valve series for details & testing)		
NS	NSF 61 & 372 Certified Series		
2	Valve Series		
D9	Direct Mount Flanged		
3	Body/Ball/Stem Material		
Blank	Valve Series Standard (316SST)		
A	Alloy 20 Body, Ball, & Stem		
C	Carbon Steel Body		
L	Low Carbon 316L Stainless Steel		
H	Carbon Body / Hastelloy Ball & Stem		
Q	Carbon Body/Monel Ball & Stem		
R	316 SST Body/Monel Ball & Stem		
4	End Connection		
F	150# Flanged Ends		
5	Seat, Lining & Trim Materials		
1	Valve Series Standard Seats (RTFE)		
P	Virgin TFE Seats (PTFE)		
U	UHMWPE Seats		
S	50/50 STFE Seats		
C	25% CS Powder/75% TFE Seats (CTFE)		
T	TFM™-1600 Seats		
A	50% SS Powder / 50% TFM™-1600 Seats (STFM)		
M	MG1241 Seats		
Z	PEEK Seats		
6	Valve Size		
050	1/2"	200	2" 600 6"
075	3/4"	250	2-1/2" 800 8"
100	1"	300	3" AAA 10"
150	1-1/2"	400	4" BBB 12"

7 (A) Pneumatic Actuator - 3R, 3N, 3P Series			
3RC	3R10	3RM	3R850
3RD	3R20	3RN	3R1000
3RE	3R40	3RP	3R1200
3RF	3R80	3RR	3R1750
3RG	3R130	3RS	3R2400
3RH	3R200	3RT	3R2500
3RJ	3R300	3RU	3R2700
3RK	3R500	3RV	3R3300
3RL	3R700	3RW	3R3500

3R=Standard, 3N=Electroless Nickel Plating, 3P=Teflon™ (PTFE) Coating

7 (A) Pneumatic Actuator - S2 Series			
S2C	S2-052	S2G	S2-125
S2D	S2-063	S2H	S2-140
S2E	S2-083	S2J	S2-160
S2F	S2-105	S2K	S2-210

7 (B) Pneumatic Action	
D	Double Acting (DA)
S	Spring CW (5 springs)*
O	Spring CCW (5 springs)*
4	Spring CW (4 springs)**
F	Spring CCW (4 springs)**

\*2500 & 3500 80 psig spring  
 \*\*2500 & 3500 60 psig spring

7 Actuator - Electric (On-Off)			
WEX1	WE-350	WEG1	WE-5200
WEA1	WE-500	WEH1	WE-6900
WEB1	WE-690	WEJ1	WE-10500
WEC1	WE-1350	WEK1	WE-17500
WED1	WE-1700	WEL1	WE-25900
WEE1	WE-2640	WEM1	WE-53000
WEF1	WE-4400	WEN1	WE-80000

7 Actuator - Electric (Modulating)			
WEA2	WEM-500	WEH2	WEM-6900
WEB2	WEM-690	WEJ2	WEM-10500
WEC2	WEM-1350	WEK2	WEM-17500
WED2	WEM-1700	WEL2	WEM-25900
WEE2	WEM-2640	WEM2	WEM-53000
WEF2	WEM-4400	WEN2	WEM-80000
WEG2	WEM-5200		

### AUTOMATED VALVE

SAMPLE PART #  
**FD9C-F1-150/3RFD-XX-**

(1) Prefix | (2) Valve Series | (3) Body/Ball/Stem Material | (4) End Connection | (5) Seat/Trim Material | (6) Valve Size | (7) TRIAC Actuator Series | (8) Accessory | (9) Accessory | (10) Special Designation

8	Accessories/Options	Model no.
X	No Specials	
A	TYPE 4 Solenoid 120VAC	TVCS-X411-4N-A120
B	TYPE 7 Solenoid 120VAC	TVCS-X411-7N-A120
C	Intrinsically Safe Solenoid	TVIS-X411-4N-D24
D	TYPE 4 Solenoid 24VDC	TVCS-X411-4N-D24
F	TYPE 7 Solenoid 24VDC	TVCS-X411-7N-D24
Q	TYPE 4 SST Solenoid 120VAC	TVSS-X411-4N-A120
M	TYPE 7 SST Solenoid 120VAC	TVSS-X411-7N-A120
L	TYPE 4 SST Solenoid 24VDC	TVSS-X411-4N-D24
N	TYPE 7 SST Solenoid 24VDC	TVSS-X411-7N-D24
P	Pneumatic Positioner	PPR-1200
E	Electro-Pneumatic Positioner	EPR-1000
R	24VDC Electric Actuator	
S	220VAC Electric Actuator	
T	Other Voltage Electric Actuator	
W	12VDC Electric Actuator	
Y	24VAC Electric Actuator	

\* No voltage specified on electric assemblies denotes 120VAC

9	Accessories	Model no.
X	No Specials	
A	TYPE 4 Limit Switch	APL-210N
B	TYPE 7 Limit Switch	APL-510N
C	Intrinsically Safe Limit Switch	APL-218N
Q	TYPE 4 SST Limit Switch	APL-910N
M	TYPE 7 SST Limit Switch	APL-510S
1	HS1 High Speed Electric	
2	HS2 High Speed Electric	
10	Special Designation	
Blank	No Designation, Valve Series Standard	
X	Multiple Option Designation	
A	17-4 PH® Stem	
E	CE/PED Certified	
F	Viton® Seal for Pneumatic Actuators (0°F to 300°F)	

**A-T Controls, Inc.**  
 9955 International Blvd. PHONE (513) 247-5465  
 Cincinnati, Ohio 45246 FAX (513) 247-5462  
 www.atcontrols.com sales@atcontrols.com