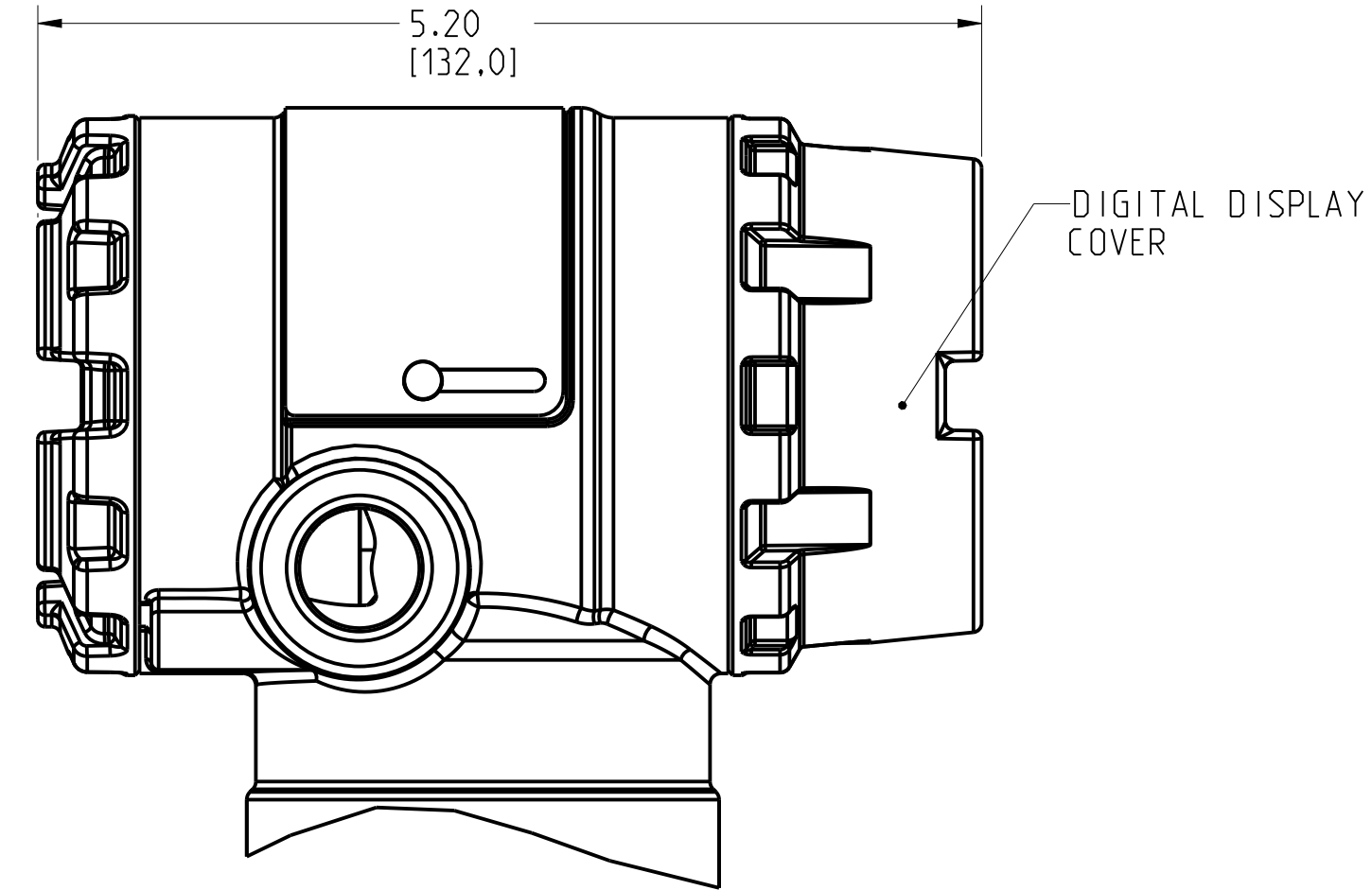


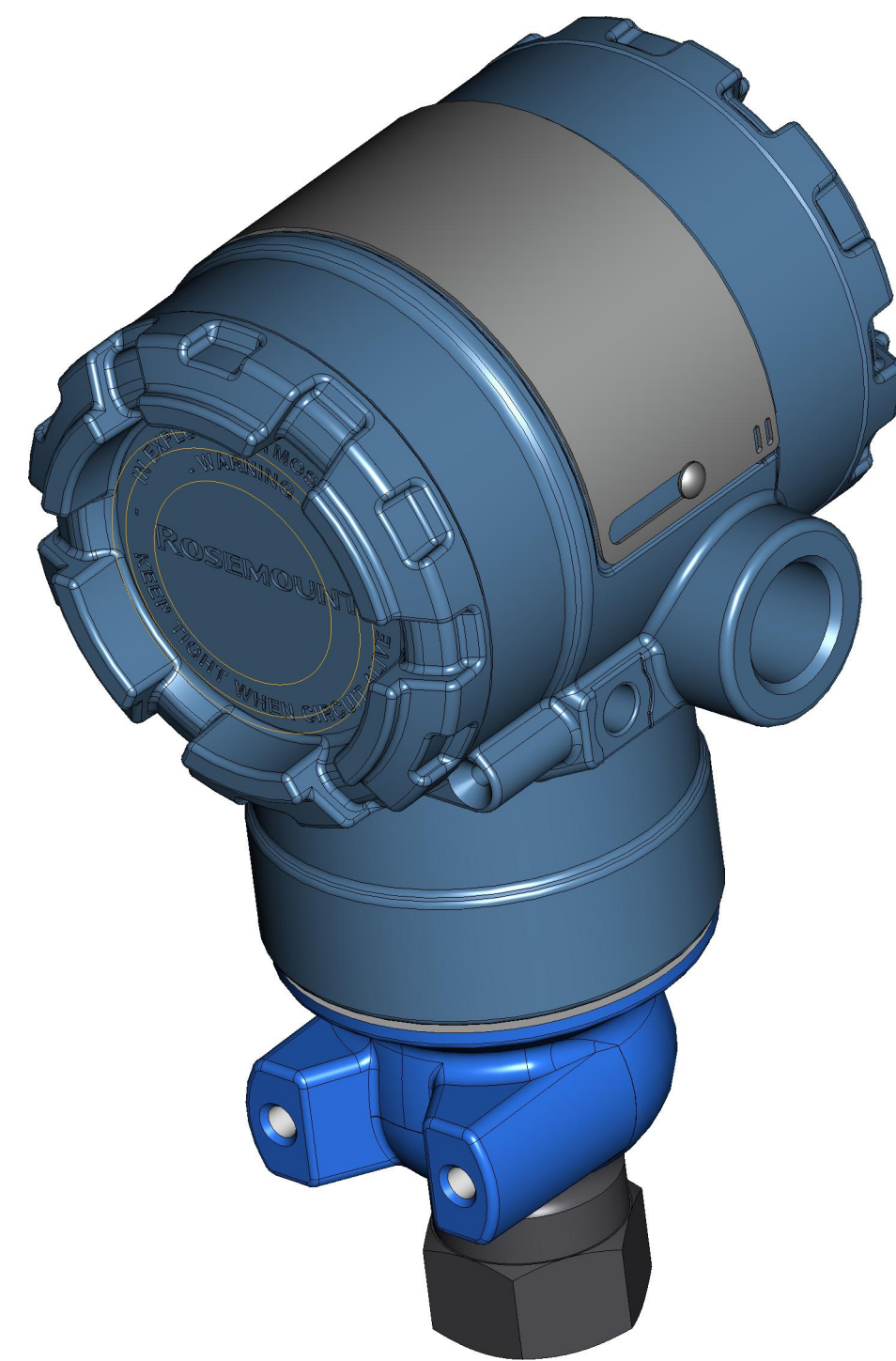
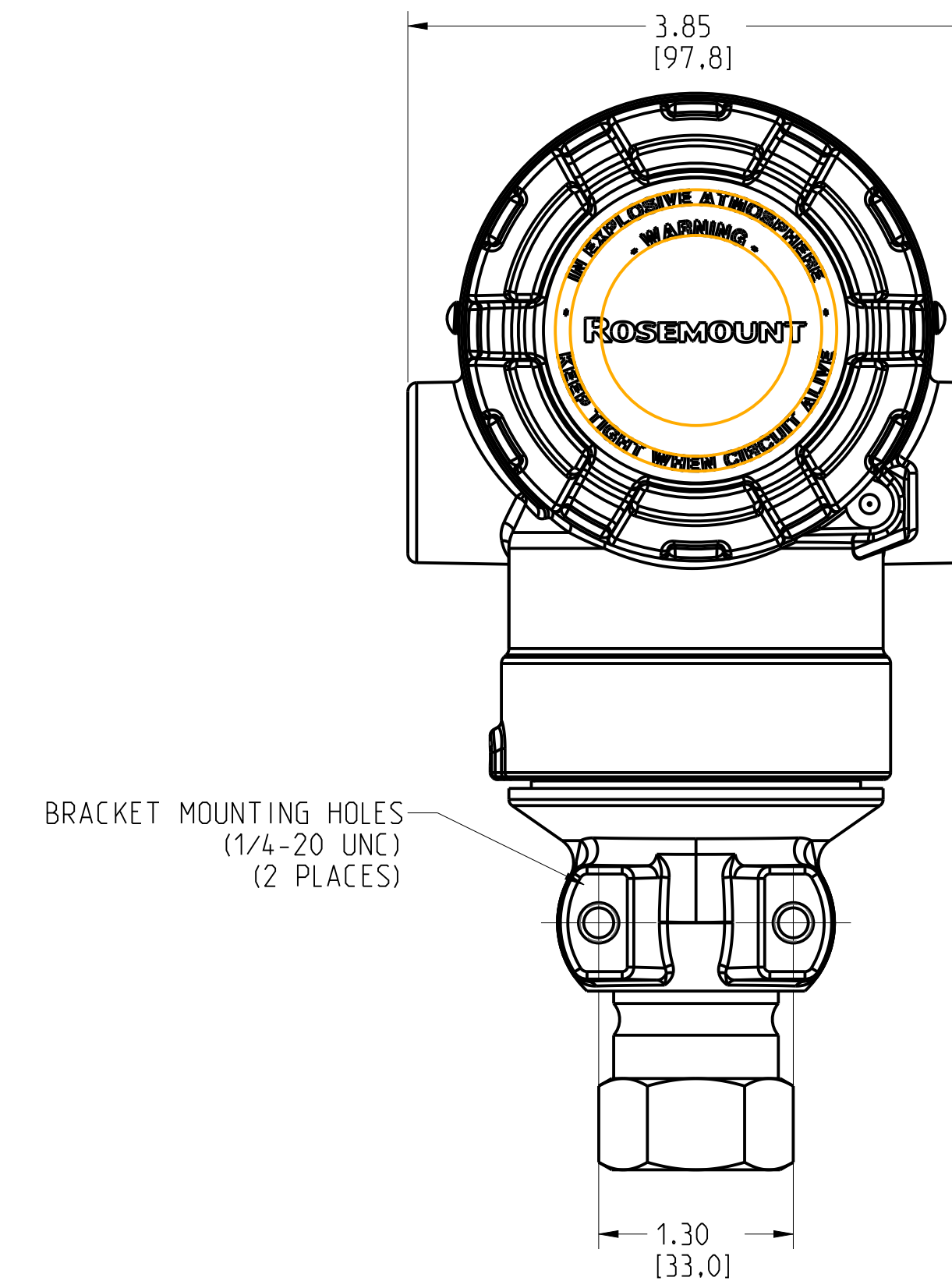
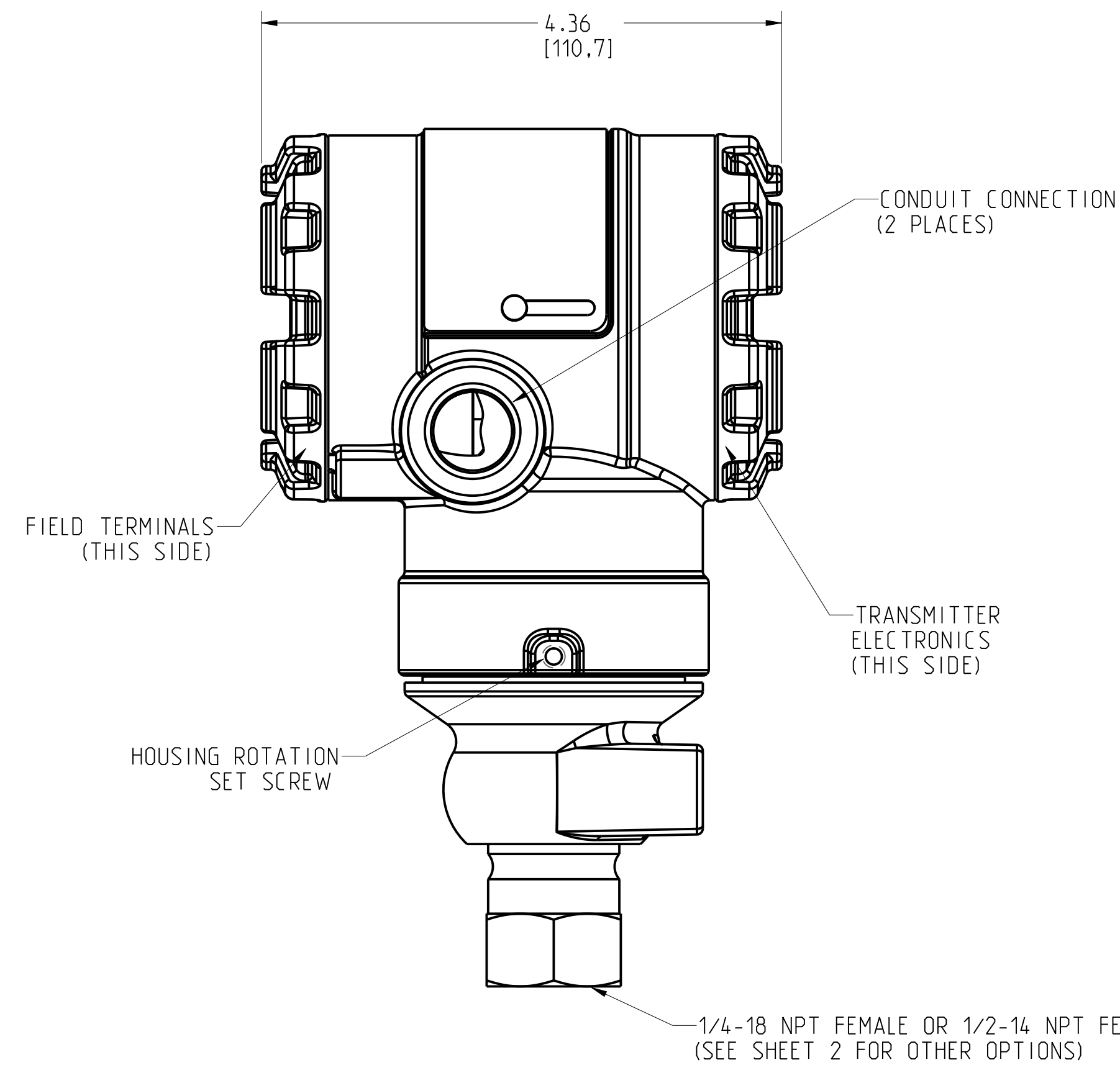
# ROSEMOUNT 2051T IN-LINE PRESSURE TRANSMITTER

REVISION TABLE			
REVISION	ECO NO.	APP'D	DATE
AE	RTC1073817	E. KIM	9/16/19
DESCRIPTION			
GOT RID OF FIELDBUS VIEWS OLD STYLE HOUSING			

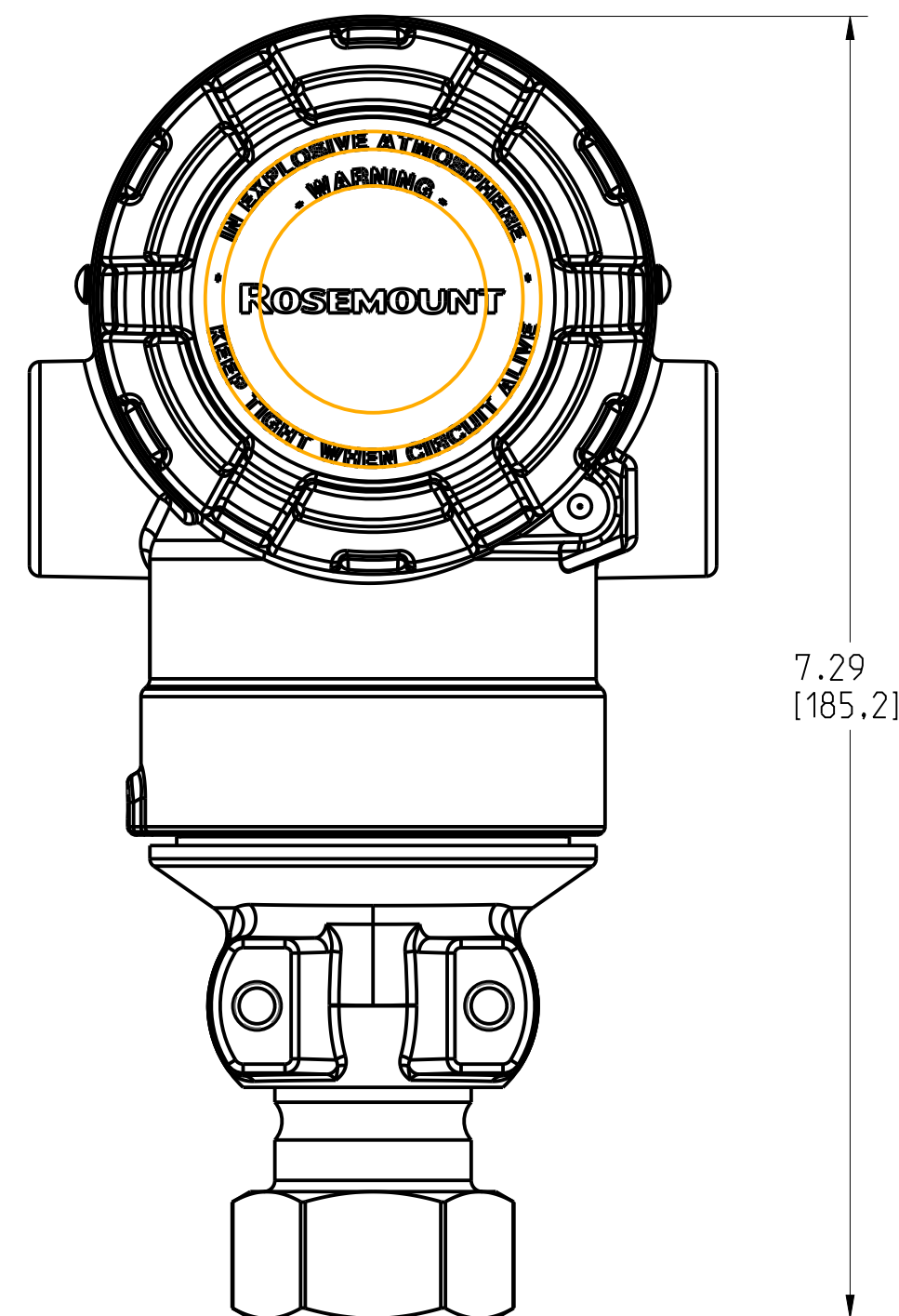
SHOWN WITH OPTIONAL DIGITAL DISPLAY



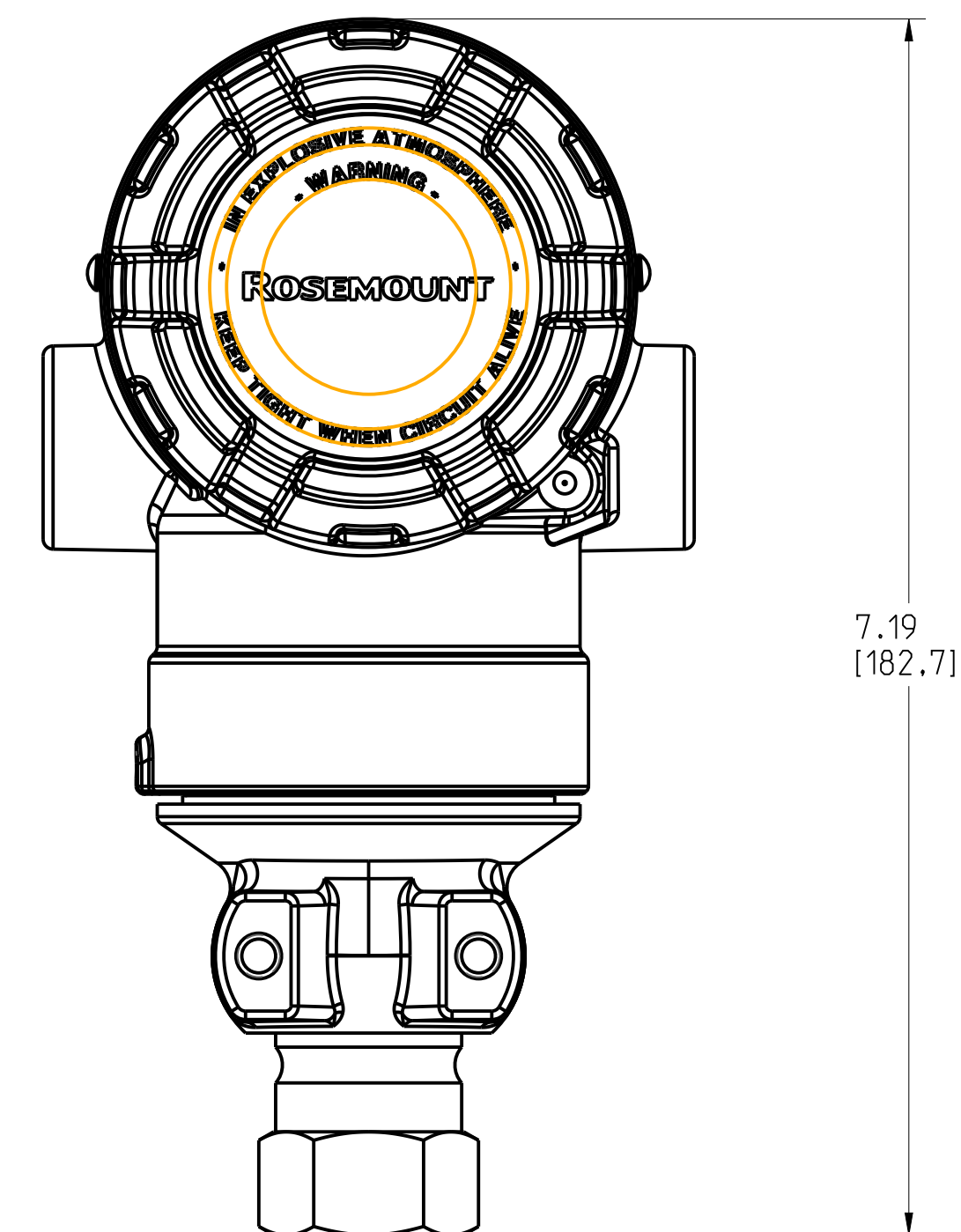
OUTPUT CODE (A) AND (M) AND (F) AND (W)  
ALUMINUM/SST HOUSING



PRESSURE RANGE OPTION 5A



PRESSURE RANGE OPTION 1A-4A



©2015 ROSEMOUNT, INC.  
ROSEMOUNT AND CERTAIN OF  
THESE DRAWINGS ARE IN  
THE PUBLIC DOMAIN AND ARE  
REPRODUCED WITH THE  
ROSEMOUNT ENGINEERING  
SPECIFICATIONS.  
UNIT NOTES IN INCHES (mm).

REFERENCE ROSEMOUNT  
PRODUCT SPECIFICATIONS.  
CLICK HERE

DR. JLA 12/23/16 DRAWING NO. 02051-7711

APP'D A. WAGENER 12/23/16

CAD MAINTAINED (PRO/E)

3RD ANGLE

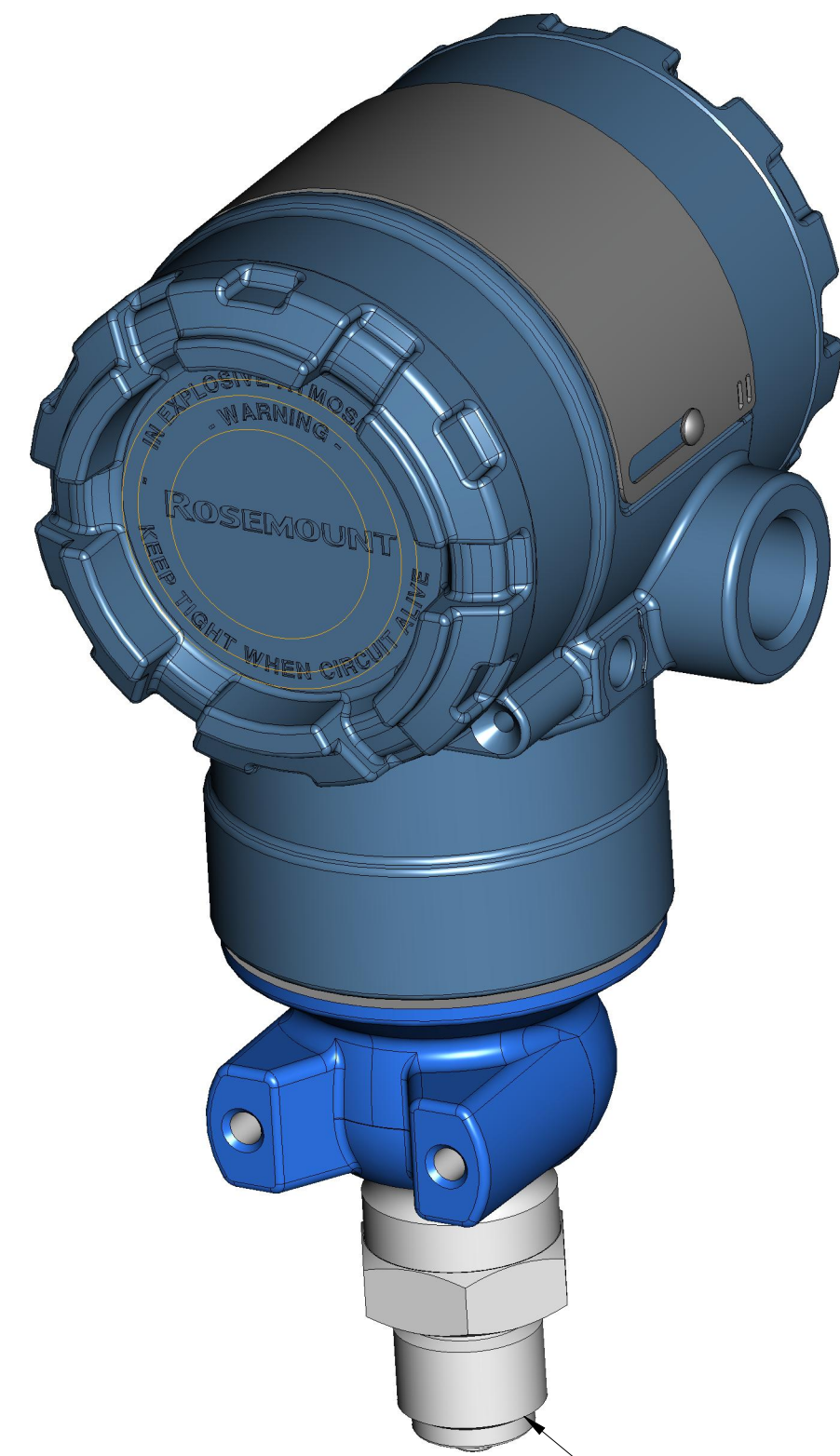
EMERSON

TITLE ROSEMOUNT 2051T IN-LINE  
TYPE I DRAWING

SIZE D SCALE NTS

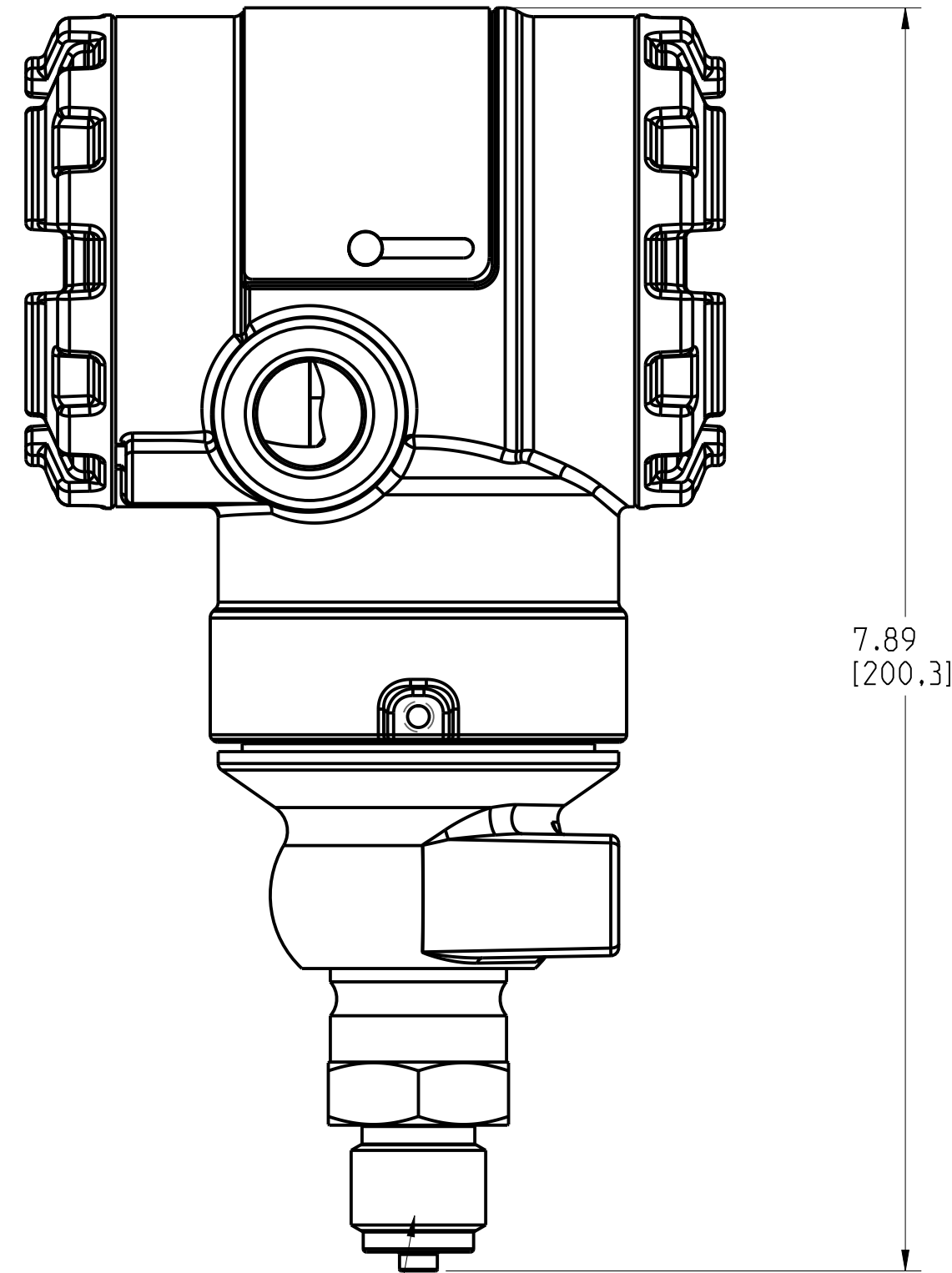
SHEET 1 OF 6

ROSEMOUNT 2051T IN-LINE PRESSURE TRANSMITTER



MALE PROCESS CONNECTION

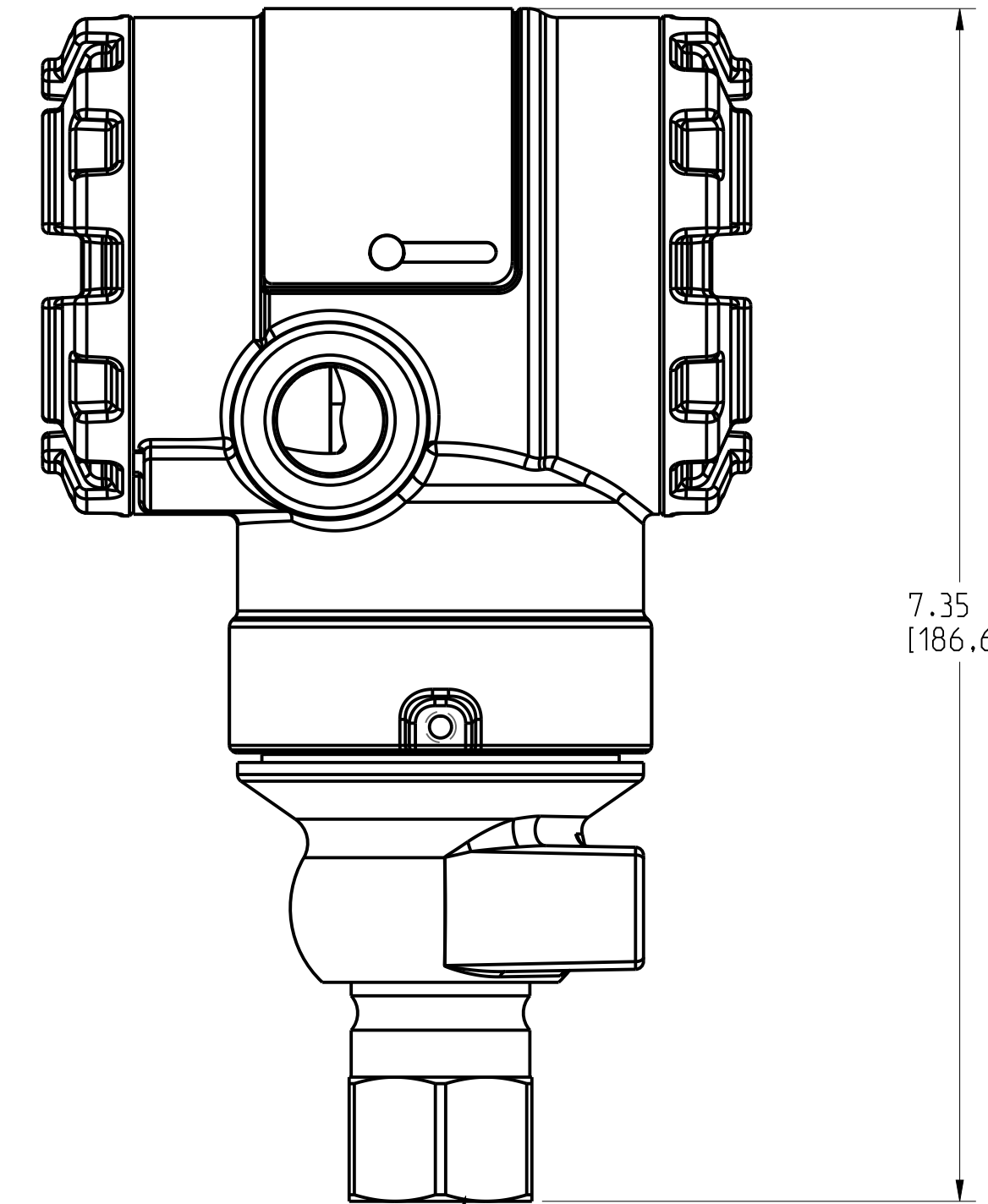
G 1/2 A DIN 16288 MALE  
PROCESS CONNECTION



7.89  
[200.3]

G 1/2 A DIN 16288 MALE

AUTOCLAVE TYPE F-250-C  
PROCESS CONNECTION



7.35  
[186.6]

AUTOCLAVE TYPE F-250-C

©2015 ROSEMOUNT, INC. ALL RIGHTS RESERVED. THIS DRAWING IS THE PROPERTY OF ROSEMOUNT, INC. AND IS TO BE USED IN ACCORDANCE WITH ROSEMOUNT ENGINEERING SPECIFICATIONS. UNIT NOTES IN INCHES (mm).

REFERENCE ROSEMOUNT PRODUCT SPECIFICATIONS. [CLICK HERE](#)

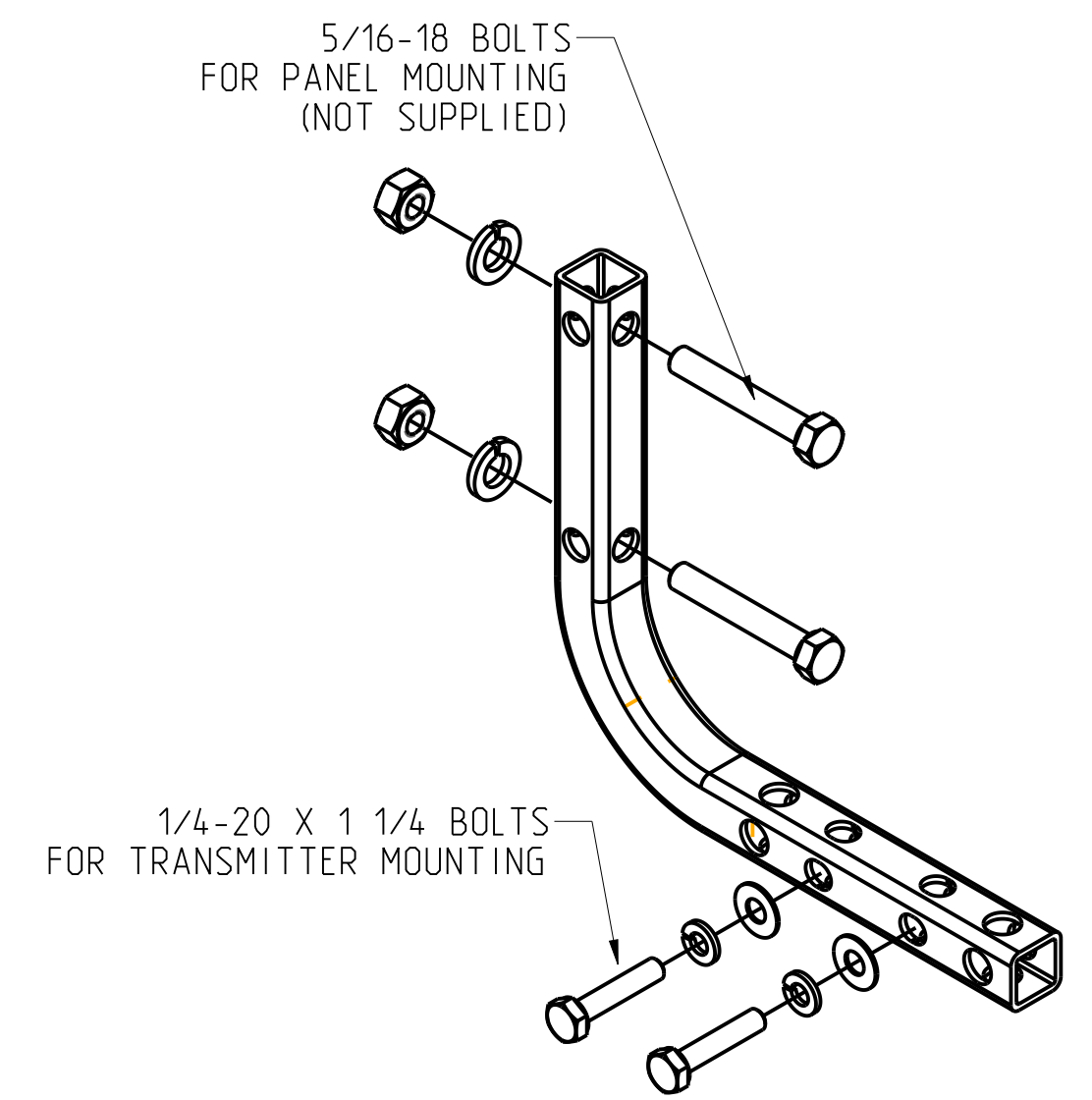
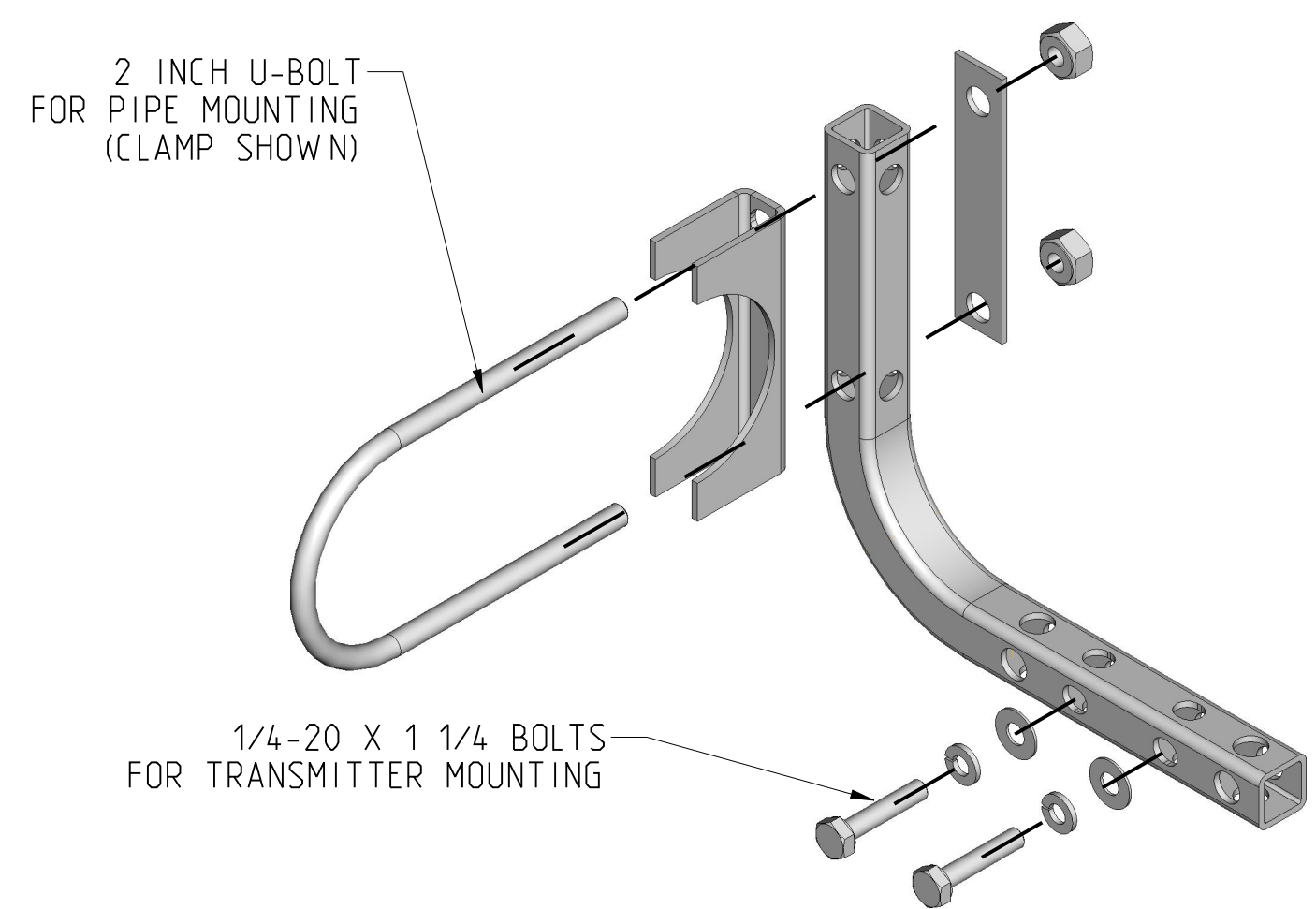
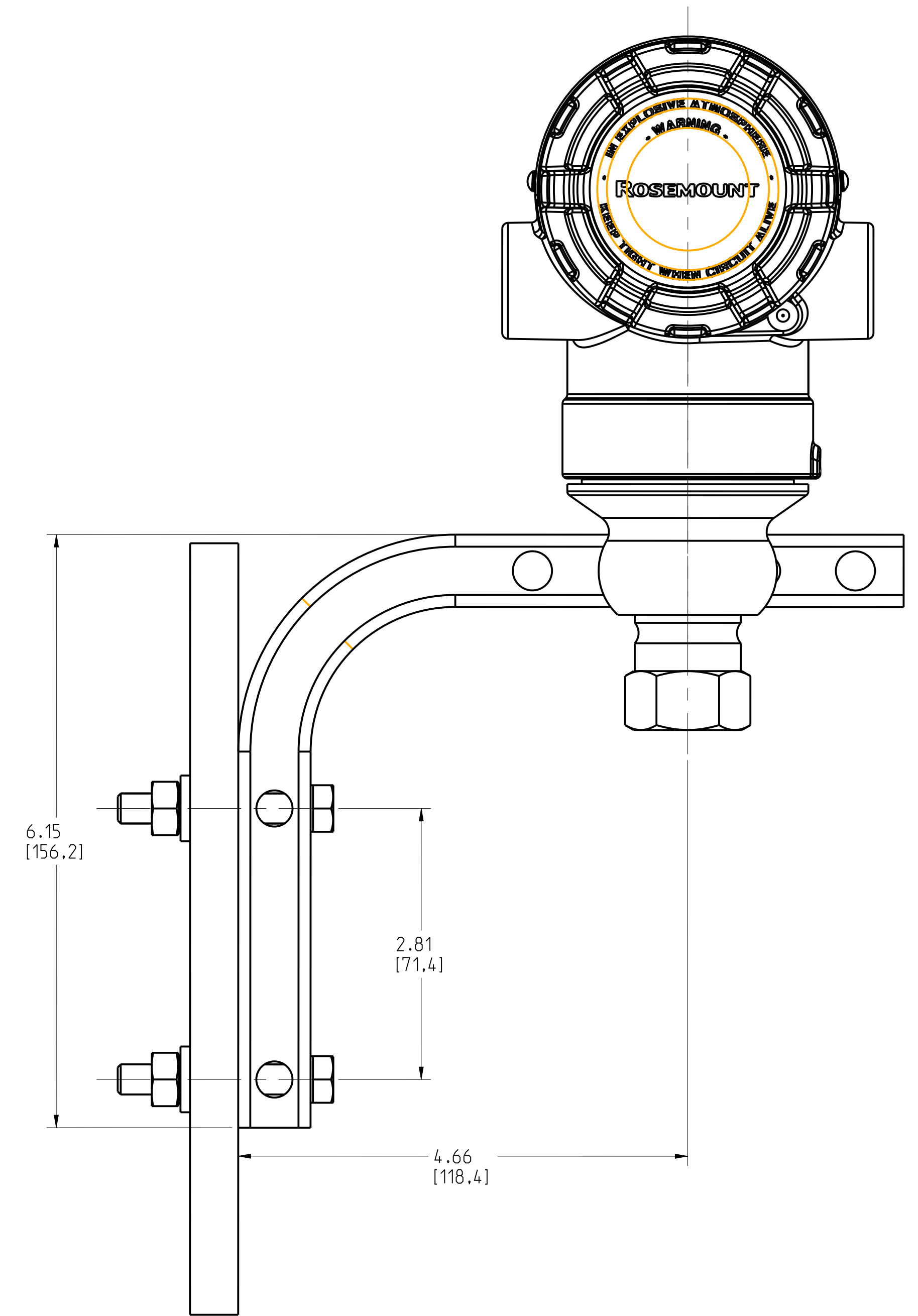
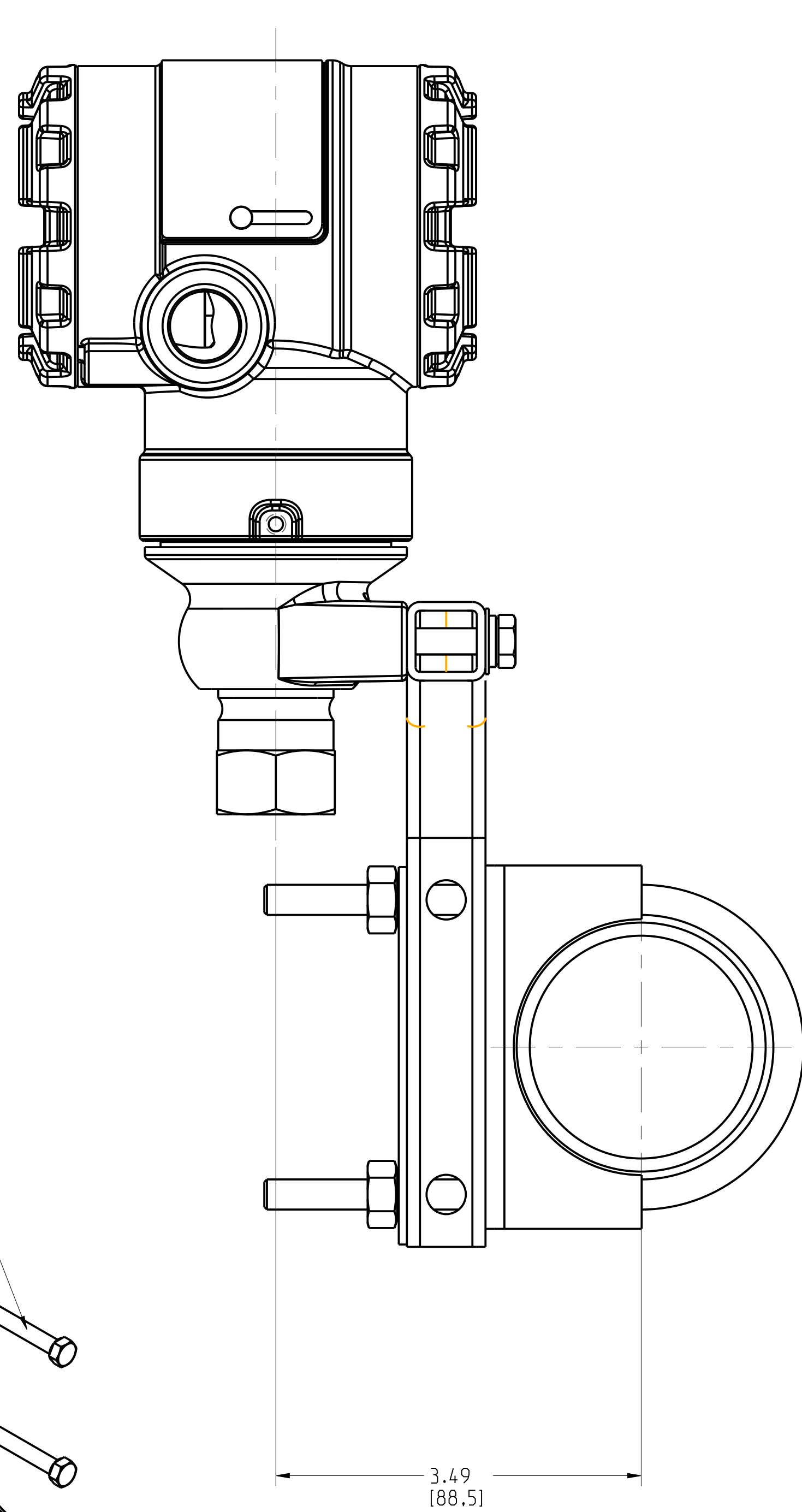
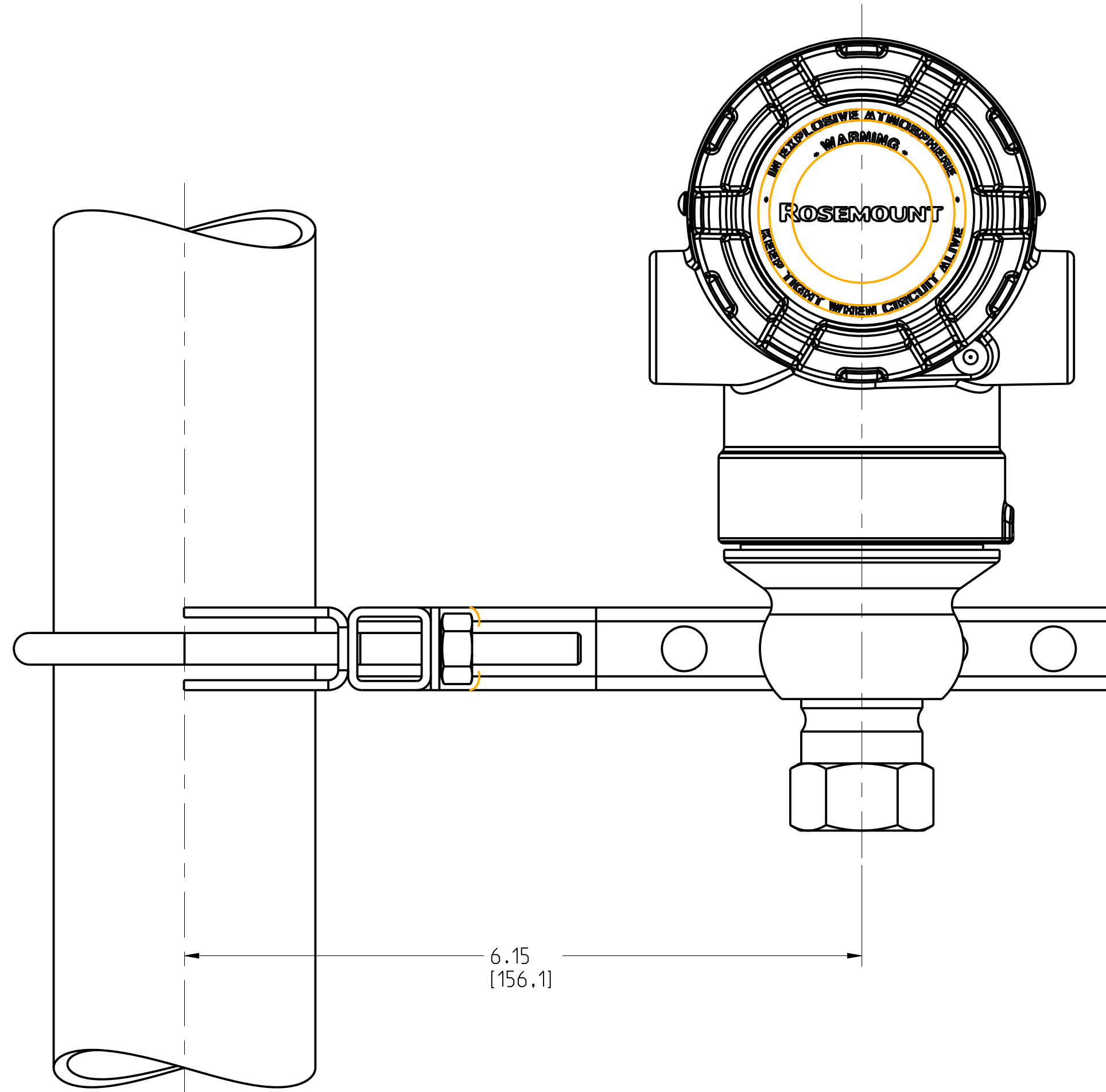
CAD MAINTAINED. (PRO/E)

3RD ANGLE		SIZE D	SCALE NTS
<b>EMERSON</b>			
TITLE ROSEMOUNT 2051T IN-LINE TYPE I DRAWING			
DR. JLA	12/23/16	DRAWING NO.	02051-7711
APP'D A WAGENER	12/23/16		
			SHEET 2 OF 6

ROSEMOUNT 2051T IN-LINE PRESSURE TRANSMITTER  
MOUNTING CONFIGURATIONS WITH OPTIONAL MOUNTING BRACKET

PIPE MOUNTING

PANEL MOUNTING



SCALE 1/2

©2015 ROSEMOUNT, INC. ROSEMOUNT AND CLEARVIEW ARE TRADEMARKS OF ROSEMOUNT ENGINEERING SPECIFICATIONS. UNIT NOTES IN INCHES (mm).

REFERENCE ROSEMOUNT PRODUCT SPECIFICATIONS. [CLICK HERE](#)

CAD MAINTAINED. (PRO/E)

3RD ANGLE

EMERSON

TITLE ROSEMOUNT 2051T IN-LINE TYPE I DRAWING

DR. JLA 12/23/16 DRAWING NO. 02051-7711

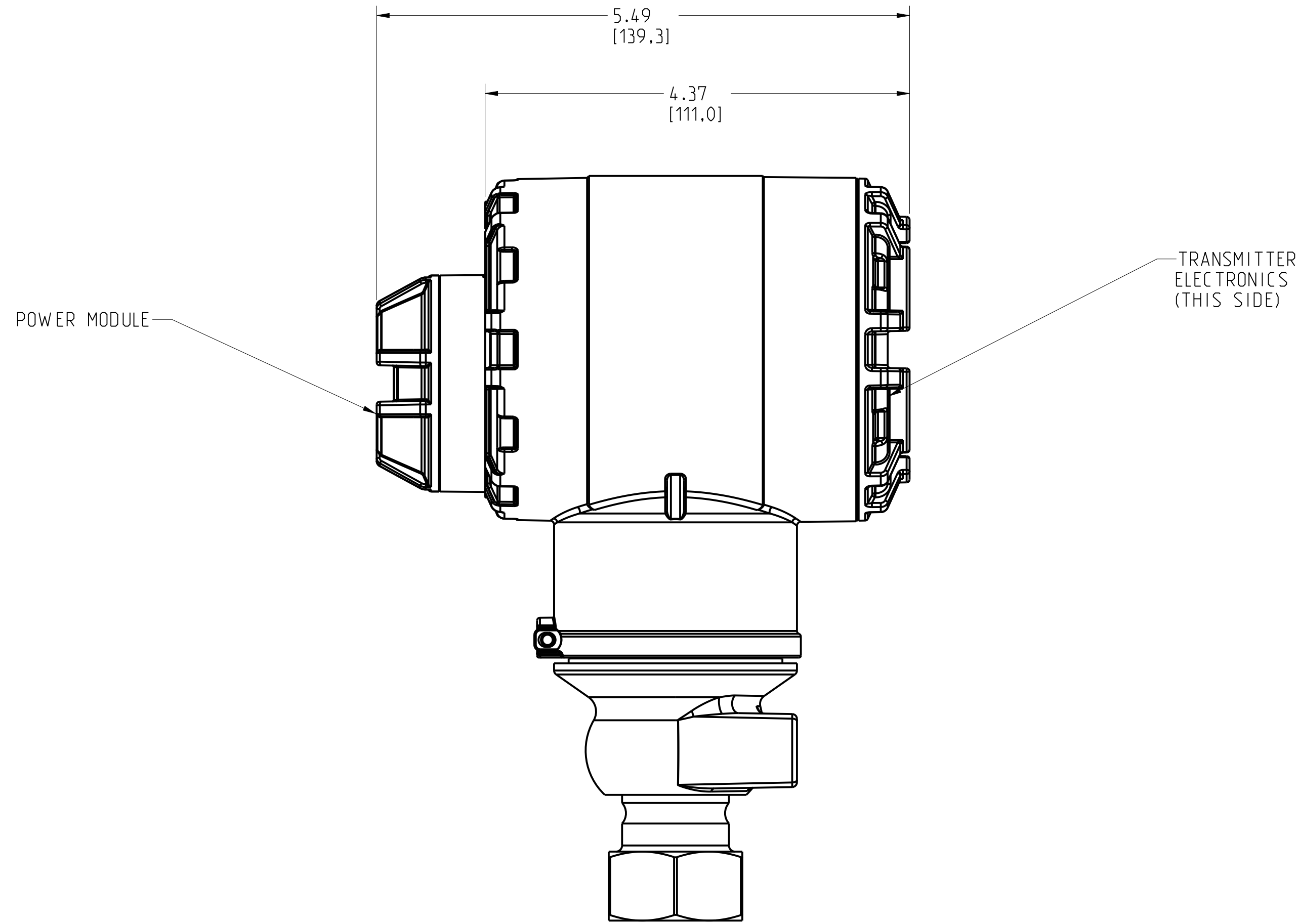
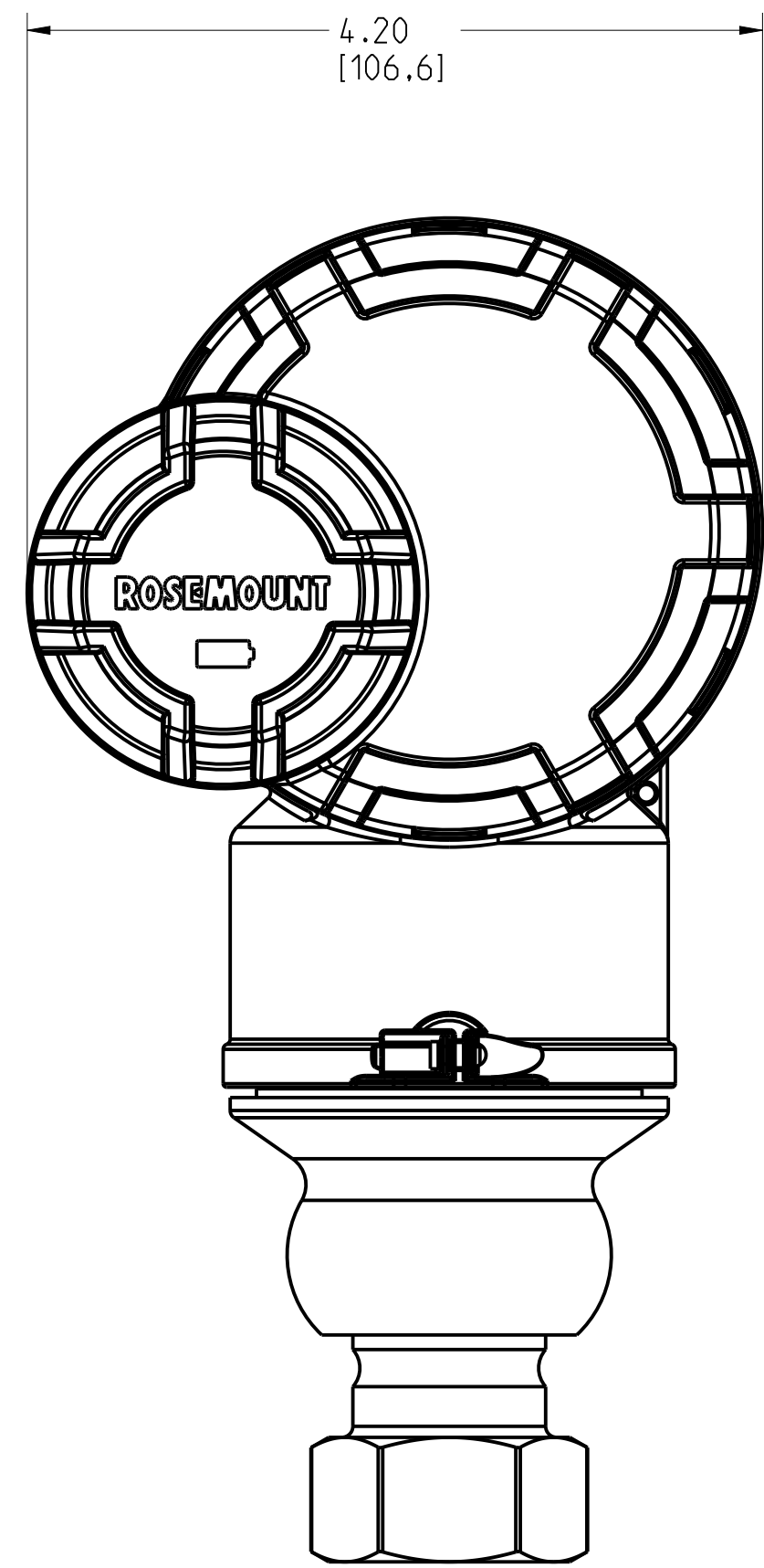
APP'D A WAGENER 12/23/16

SIZE D SCALE NTS

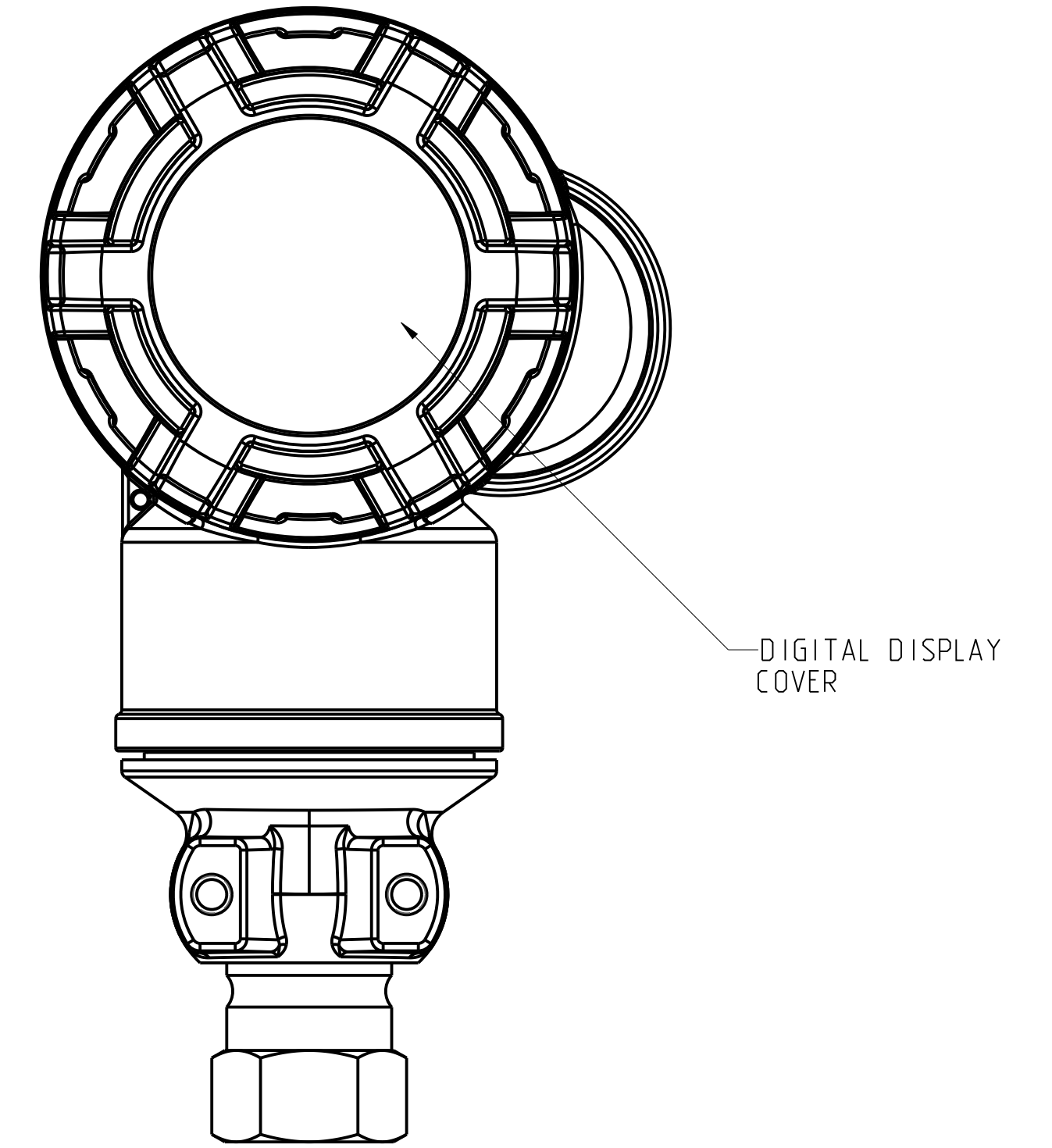
SHEET 3 OF 6

# ROSEMOUNT 2051T WIRELESS IN-LINE PRESSURE TRANSMITTER

OUTPUT CODE X  
POLYMER HOUSING

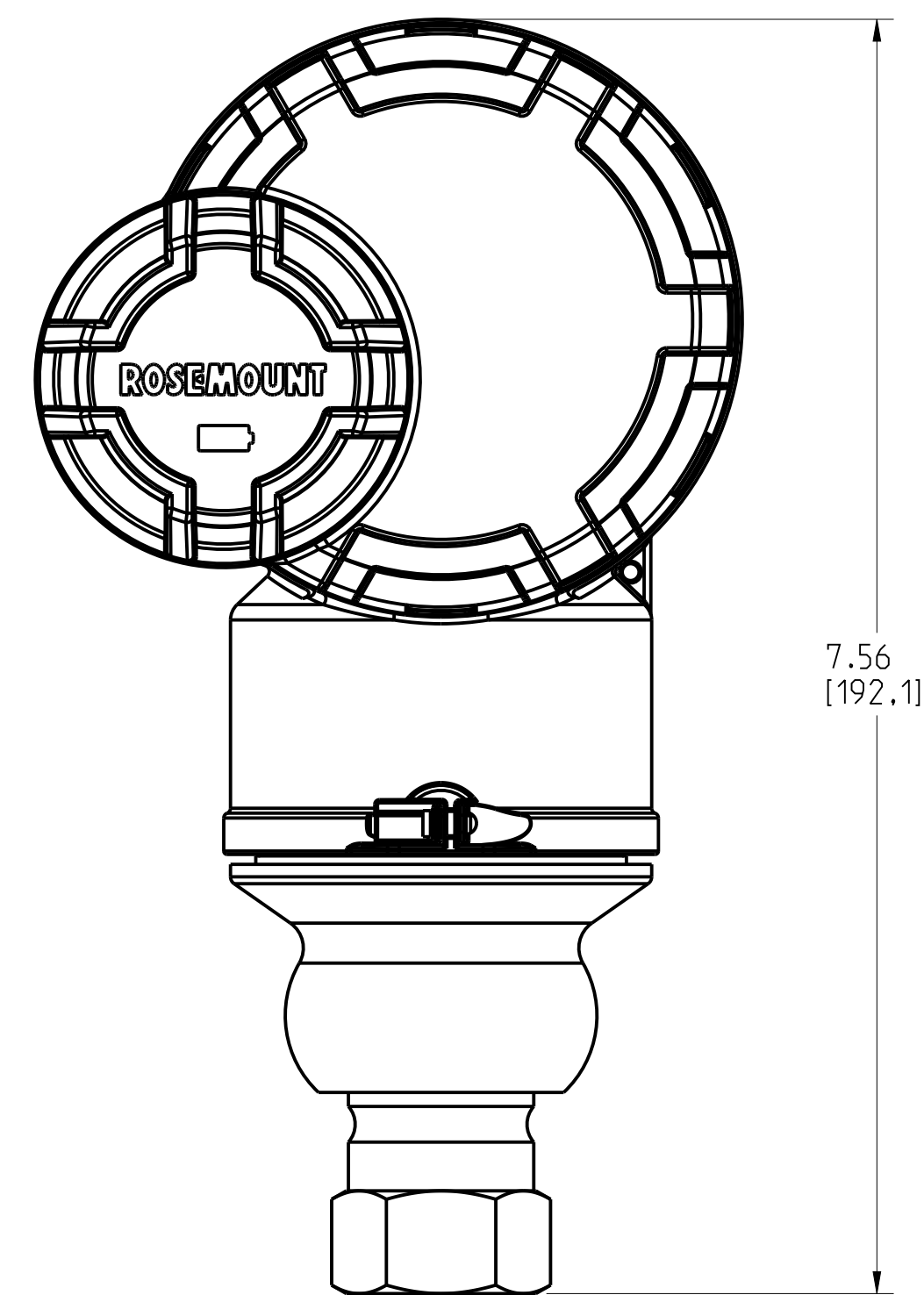
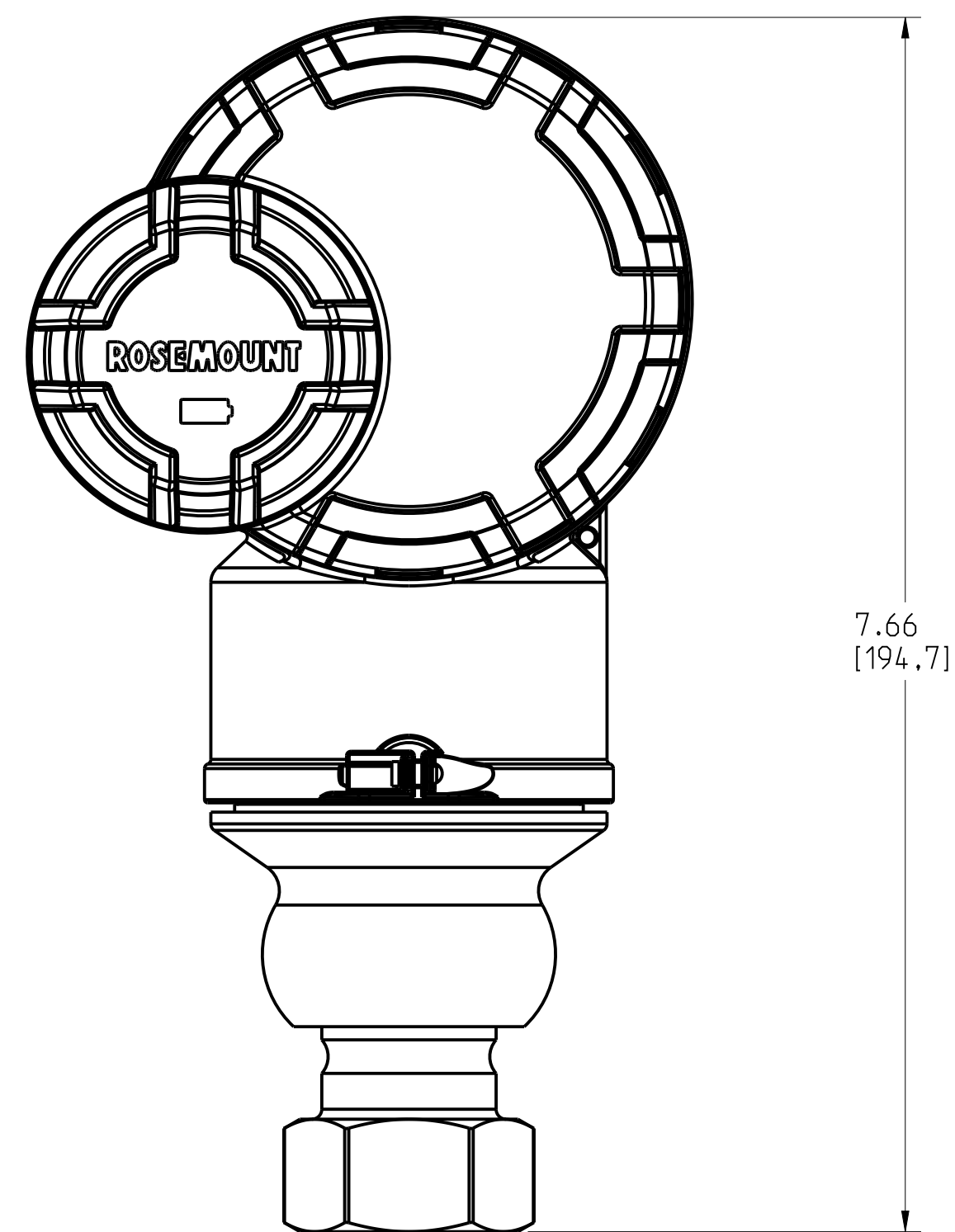
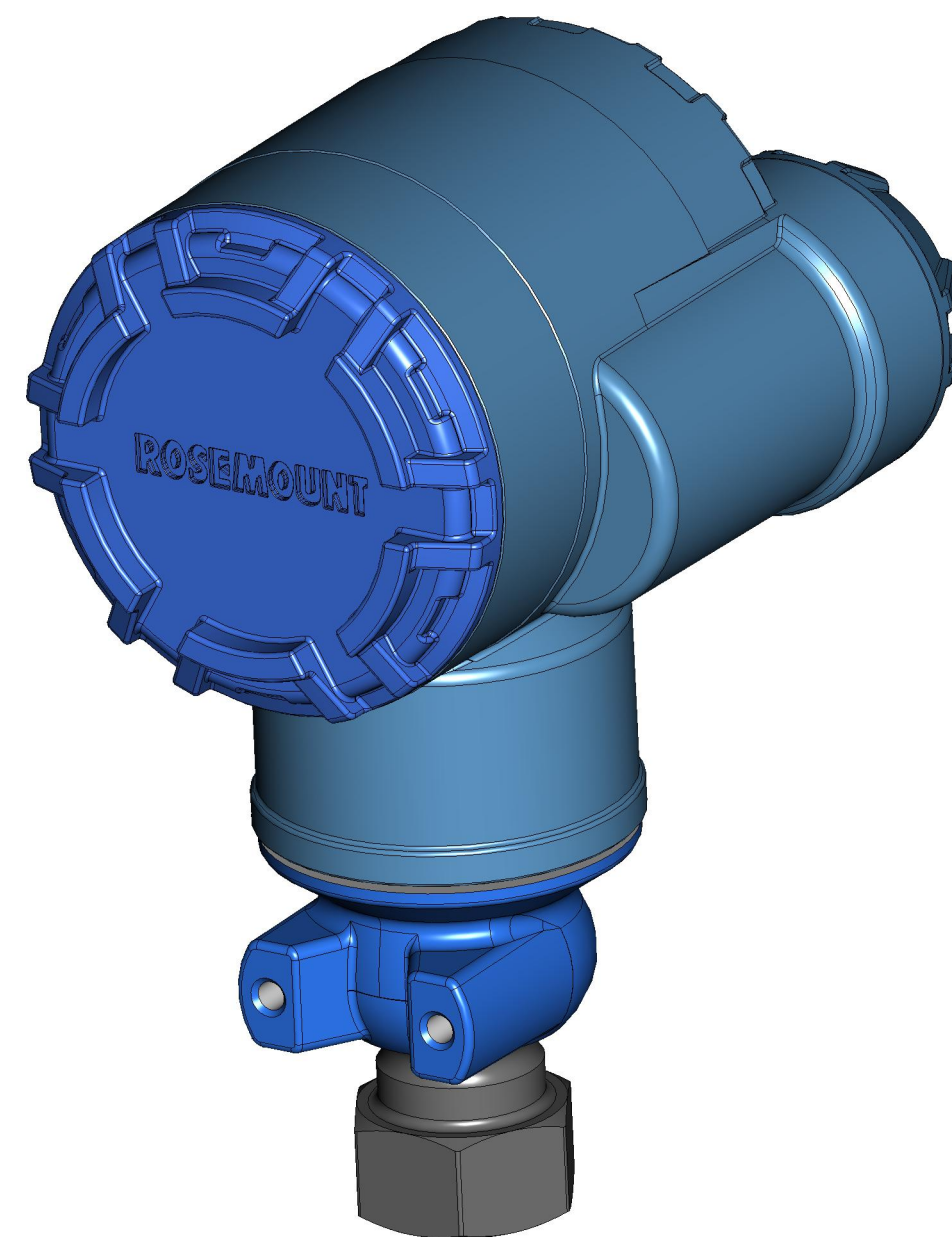


SHOWN WITH OPTIONAL DIGITAL DISPLAY



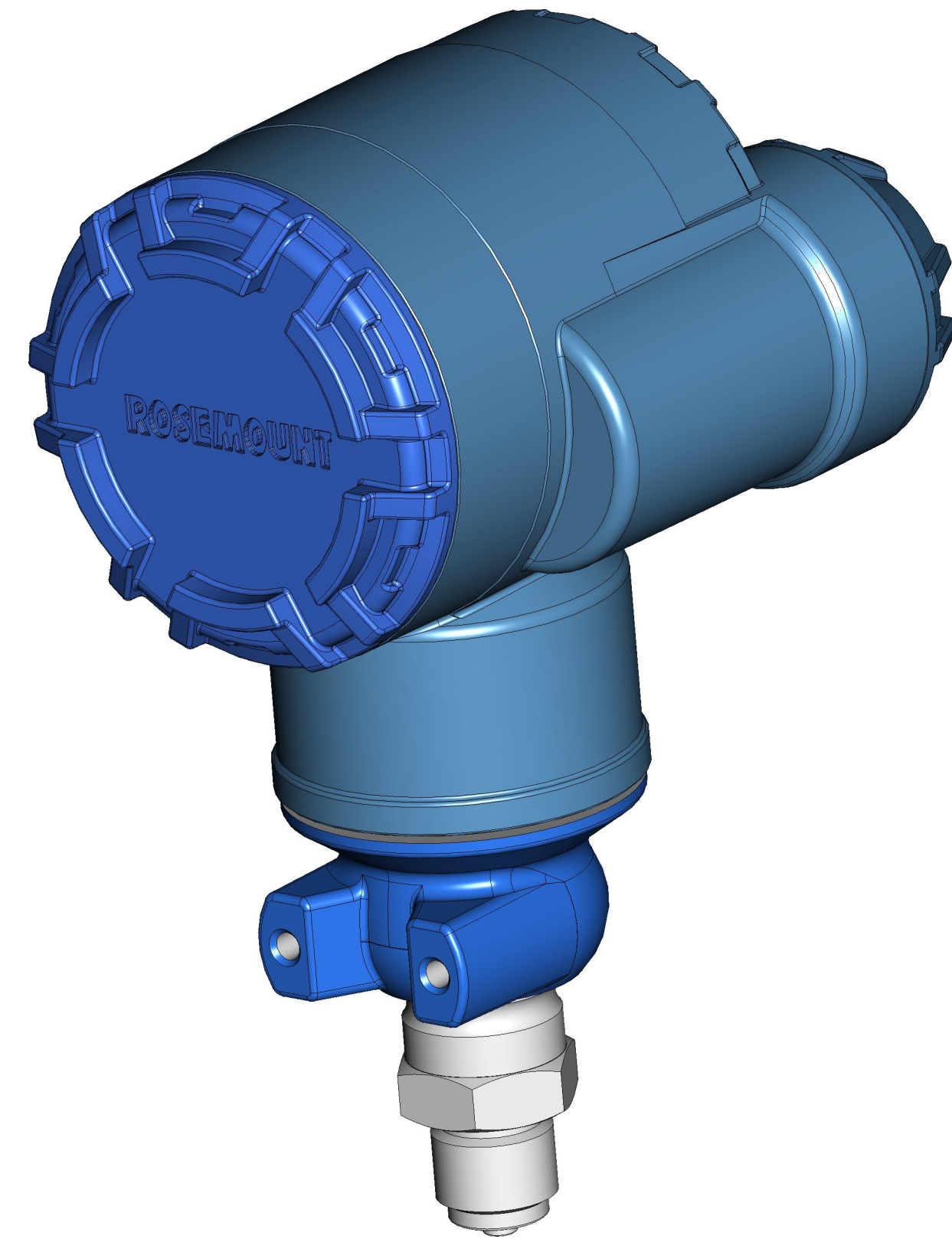
PRESSURE RANGE OPTION 5A

PRESSURE RANGE OPTION 1A-4A

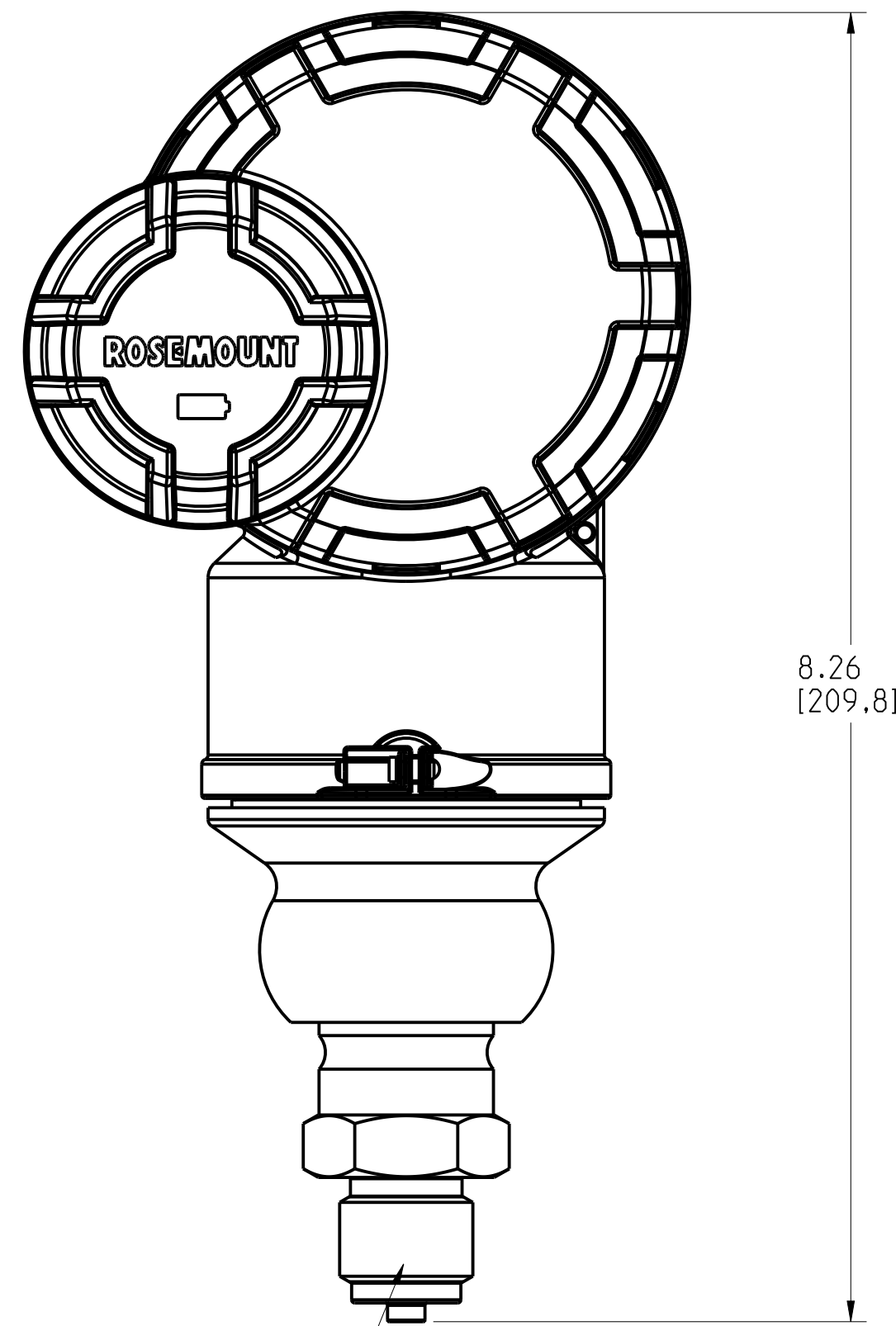


<small>©2015 ROSEMOUNT, INC. ROSEMOUNT AND LOGO ARE TRADEMARKS OF ROSEMOUNT ENGINEERING SPECIFICATIONS. UNIT NOTES IN INCHES (mm).</small>	<small>3RD ANGLE</small>		<small>SIZE D</small>	<small>SCALE NTS</small>
	<b>TITLE ROSEMOUNT 2051T IN-LINE TYPE I DRAWING</b>			
	<small>DR. JLA 12/23/16</small>	<small>DRAWING NO.</small>	<b>02051-7711</b>	
<small>APP'D A WAGENER 12/23/16</small>	<small>CAD MAINTAINED (PRO/E)</small>			<small>SHEET 4 OF 6</small>

ROSEMOUNT 2051T WIRELESS IN-LINE PRESSURE TRANSMITTER



G 1/2 A DIN 16288 MALE  
PROCESS CONNECTION

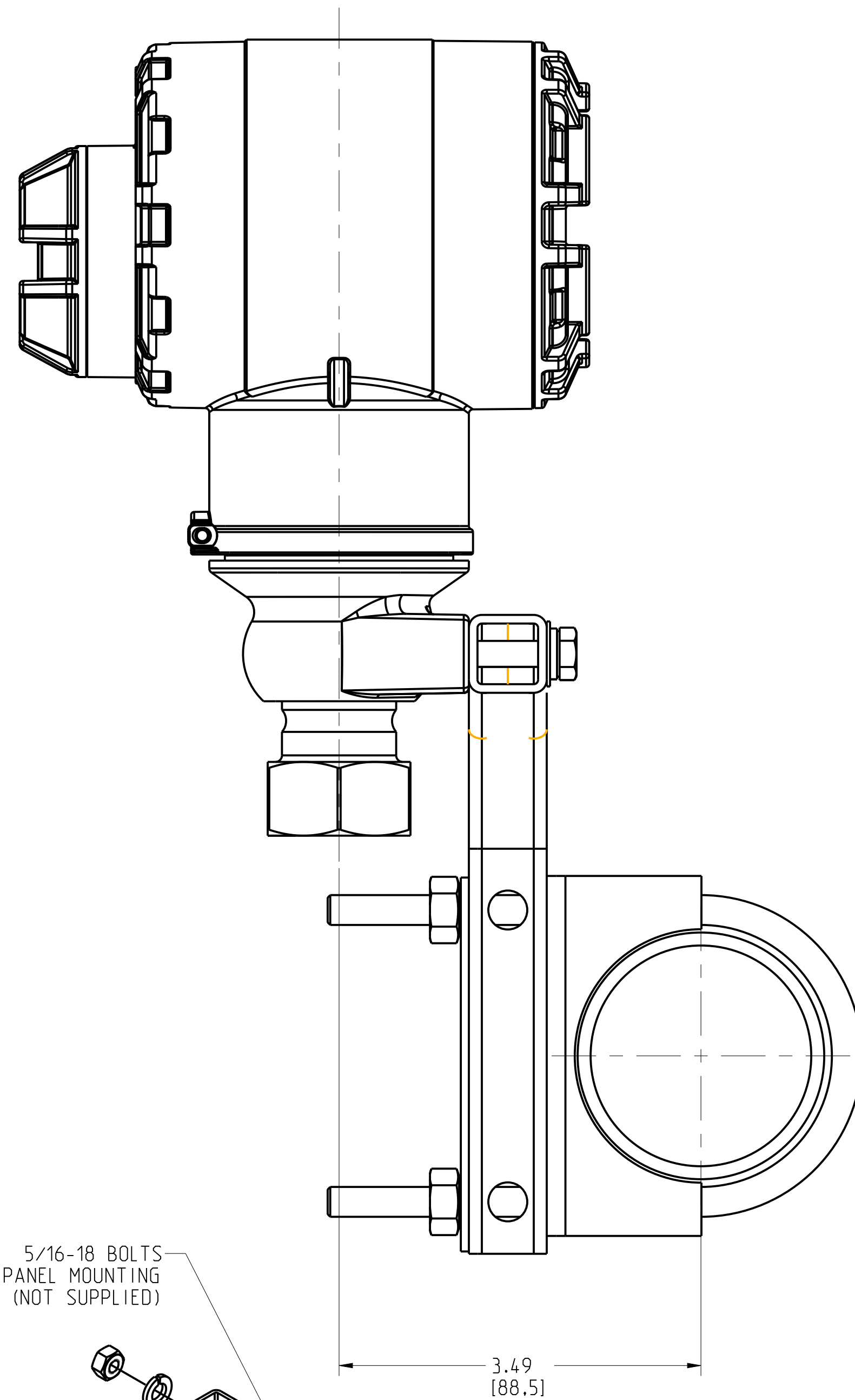
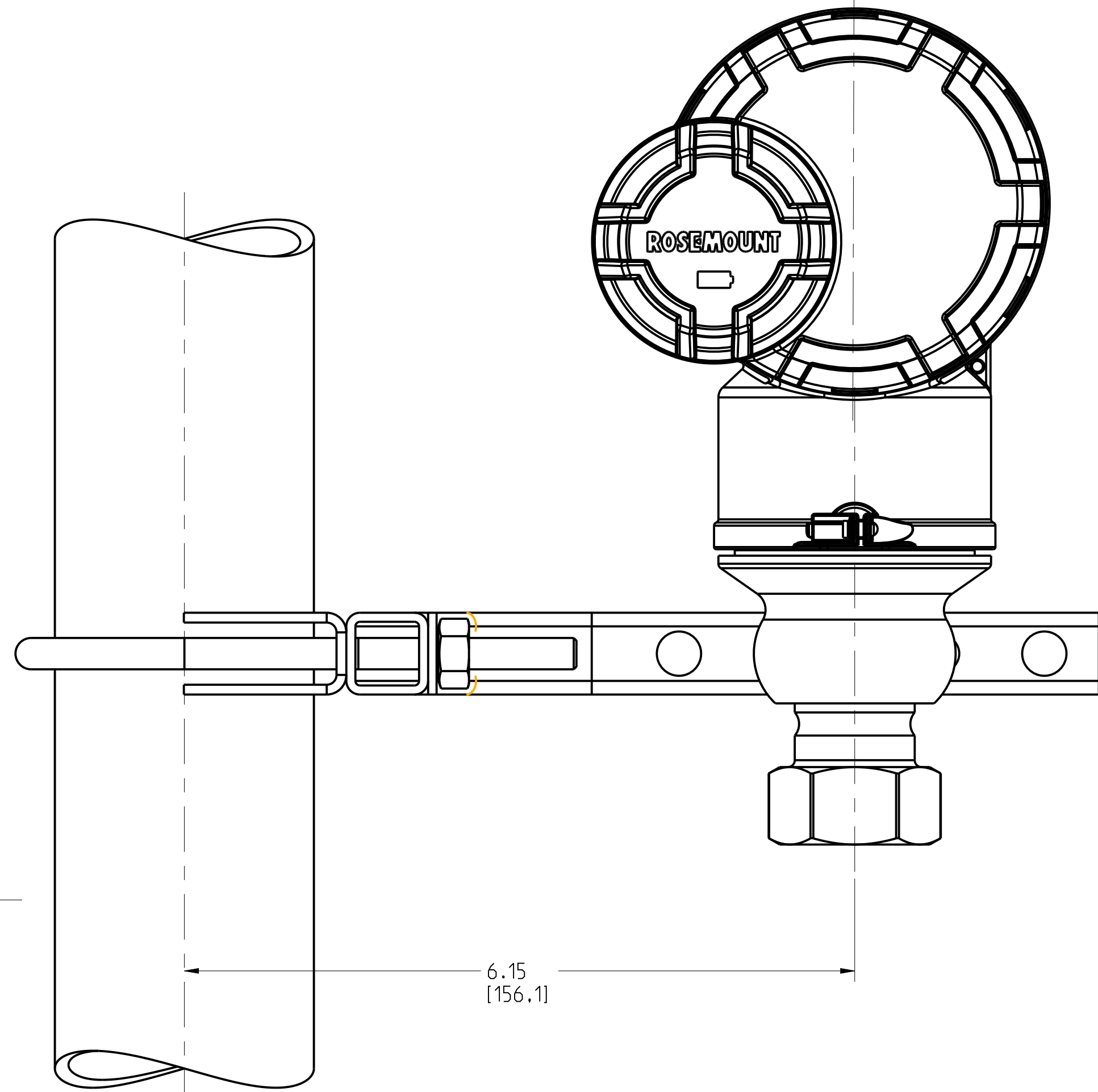


G 1/2 A DIN 16288 MALE

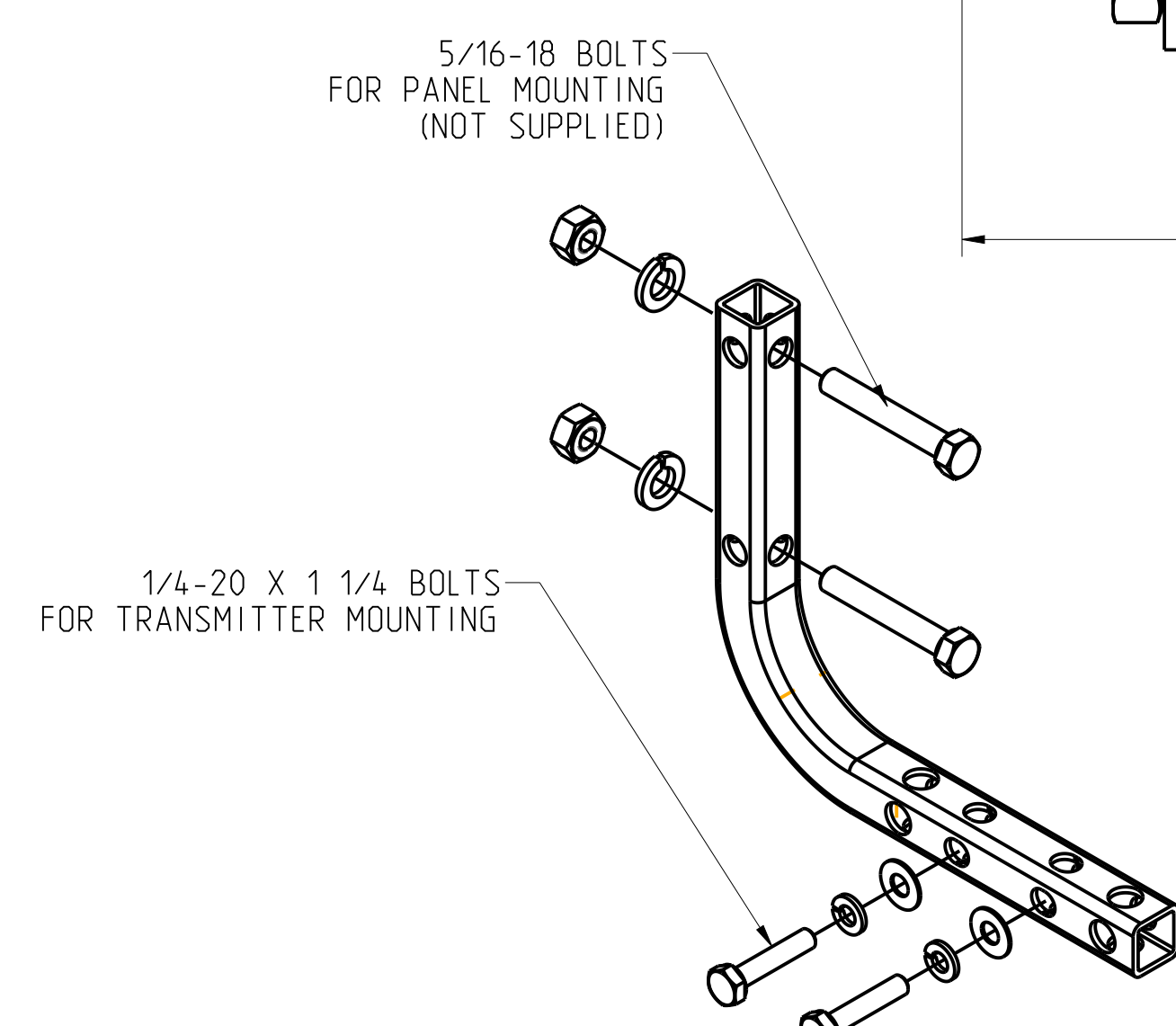
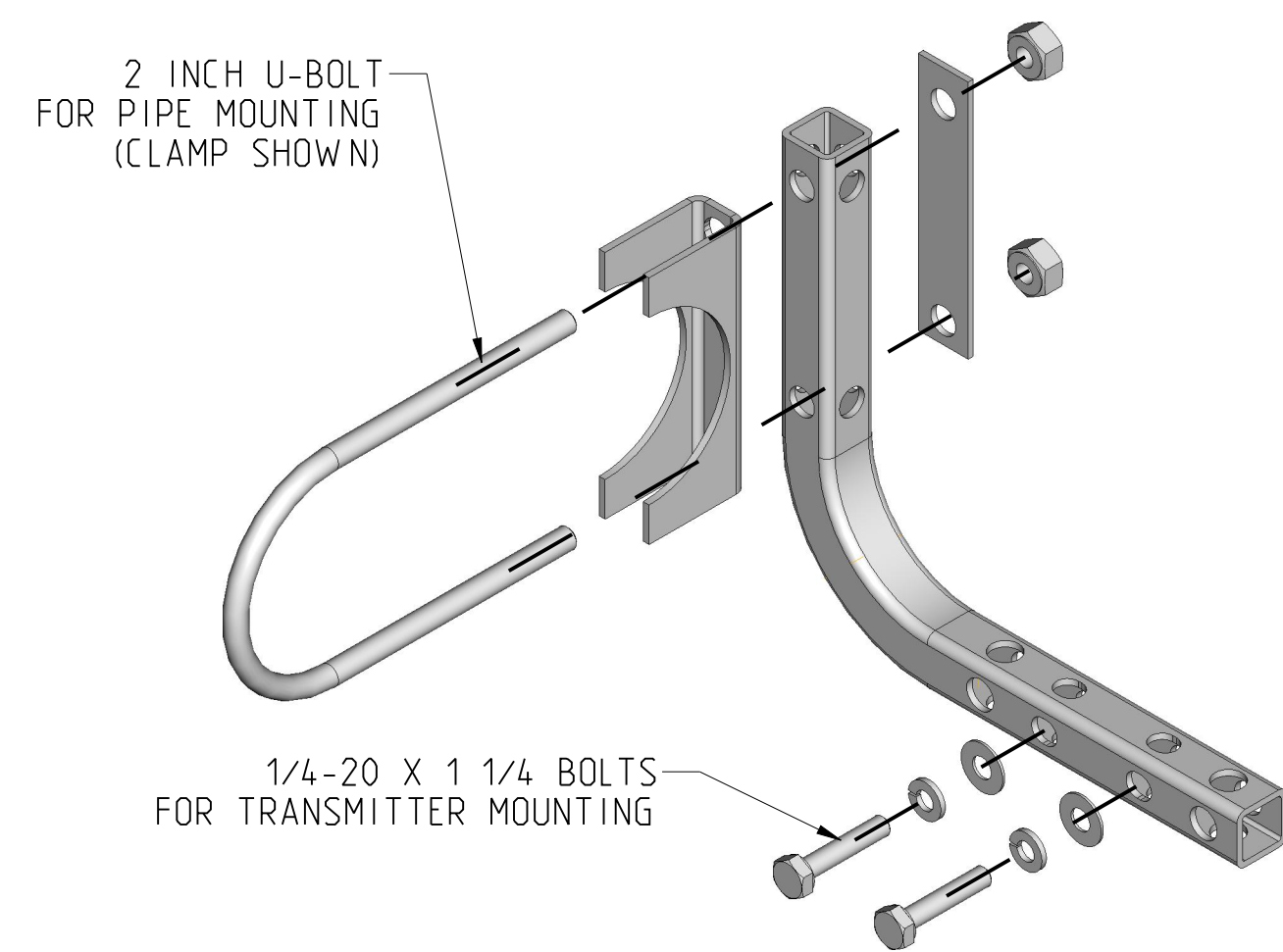
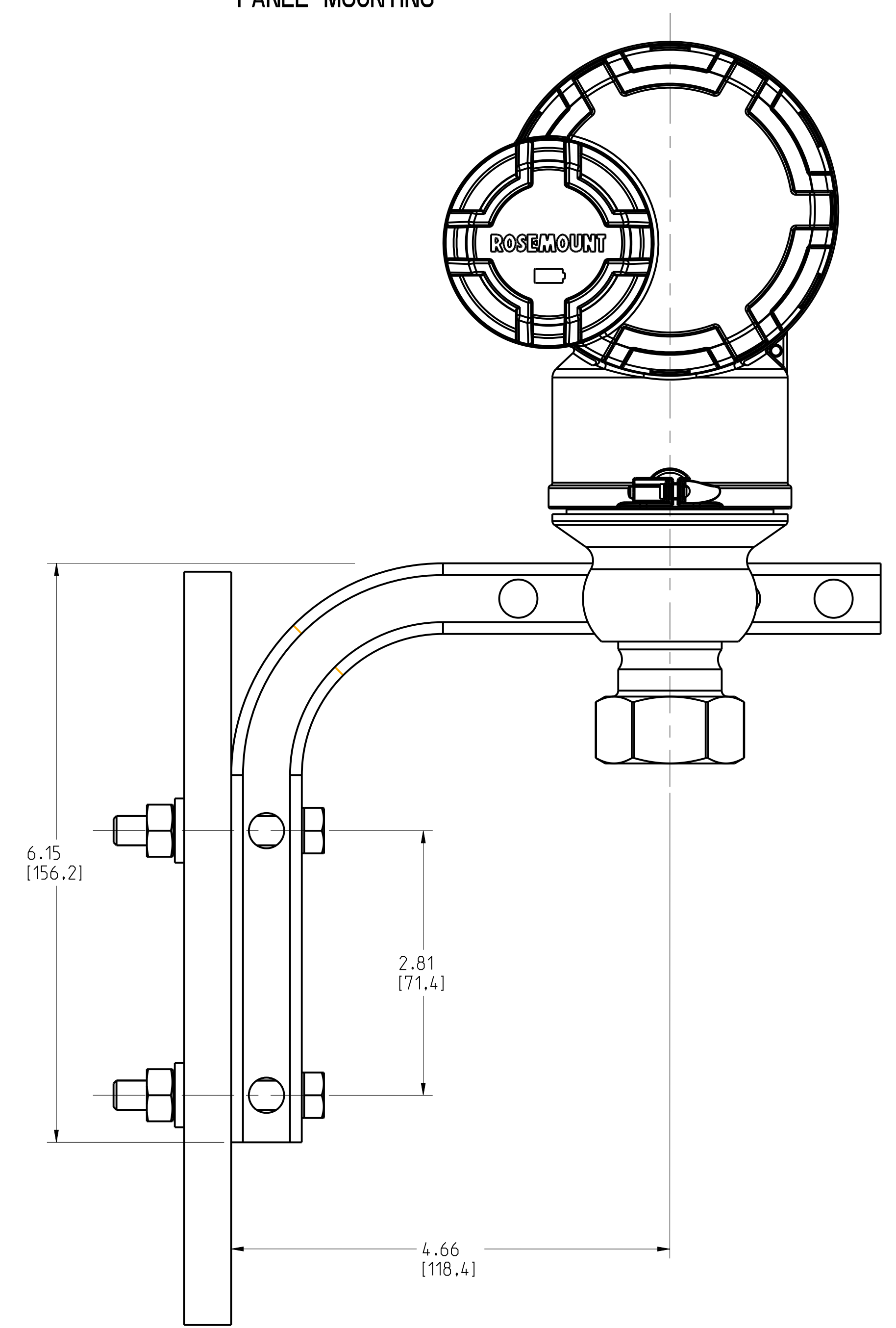
<p>©2015 ROSEMOUNT, INC. ROSEMOUNT ACCEPTS NO LIABILITY FOR ERRORS IN THIS DRAWING. DRAWING IS ACCORDANCE WITH ROSEMOUNT ENGINEERING SPECIFICATIONS. UNIT NOTES IN INCHES (mm).</p> <p>REFERENCE ROSEMOUNT PRODUCT SPECIFICATIONS. <a href="#">CLICK HERE</a></p>	<p>3RD ANGLE</p>	<p>SIZE D</p>	<p>SCALE NTS</p>
	<p><b>EMERSON</b></p>		
	<p>TITLE ROSEMOUNT 2051T IN-LINE TYPE I DRAWING</p>		
	<p>DR. JLA 12/23/16</p>	<p>DRAWING NO. 02051-7711</p>	<p>APP'D A WAGENER 12/23/16</p>
<p>CAD MAINTAINED. (PRO/E)</p>			<p>SHEET 5 OF 6</p>

ROSEMOUNT 2051T WIRELESS IN-LINE PRESSURE TRANSMITTER  
MOUNTING CONFIGURATIONS WITH OPTIONAL MOUNTING BRACKET

PIPE MOUNTING



PANEL MOUNTING



©2015 ROSEMOUNT, INC. ALL RIGHTS RESERVED. THIS DRAWING IS THE PROPERTY OF ROSEMOUNT ENGINEERING. UNLESS OTHERWISE SPECIFIED, DIMENSIONS ARE IN INCHES (MILLIMETERS).

REFERENCE ROSEMOUNT PRODUCT SPECIFICATIONS FOR PRODUCT SPECIFICATIONS. [CLICK HERE](#)

CAD MAINTAINED: (PRO/E)

3RD ANGLE

EMERSON

TITLE ROSEMOUNT 2051T IN-LINE TYPE I DRAWING

DR. JLA 12/23/16 DRAWING NO. 02051-7711

APP'D A WAGENER 12/23/16

SIZE D SCALE NTS

SHEET 6 OF 6