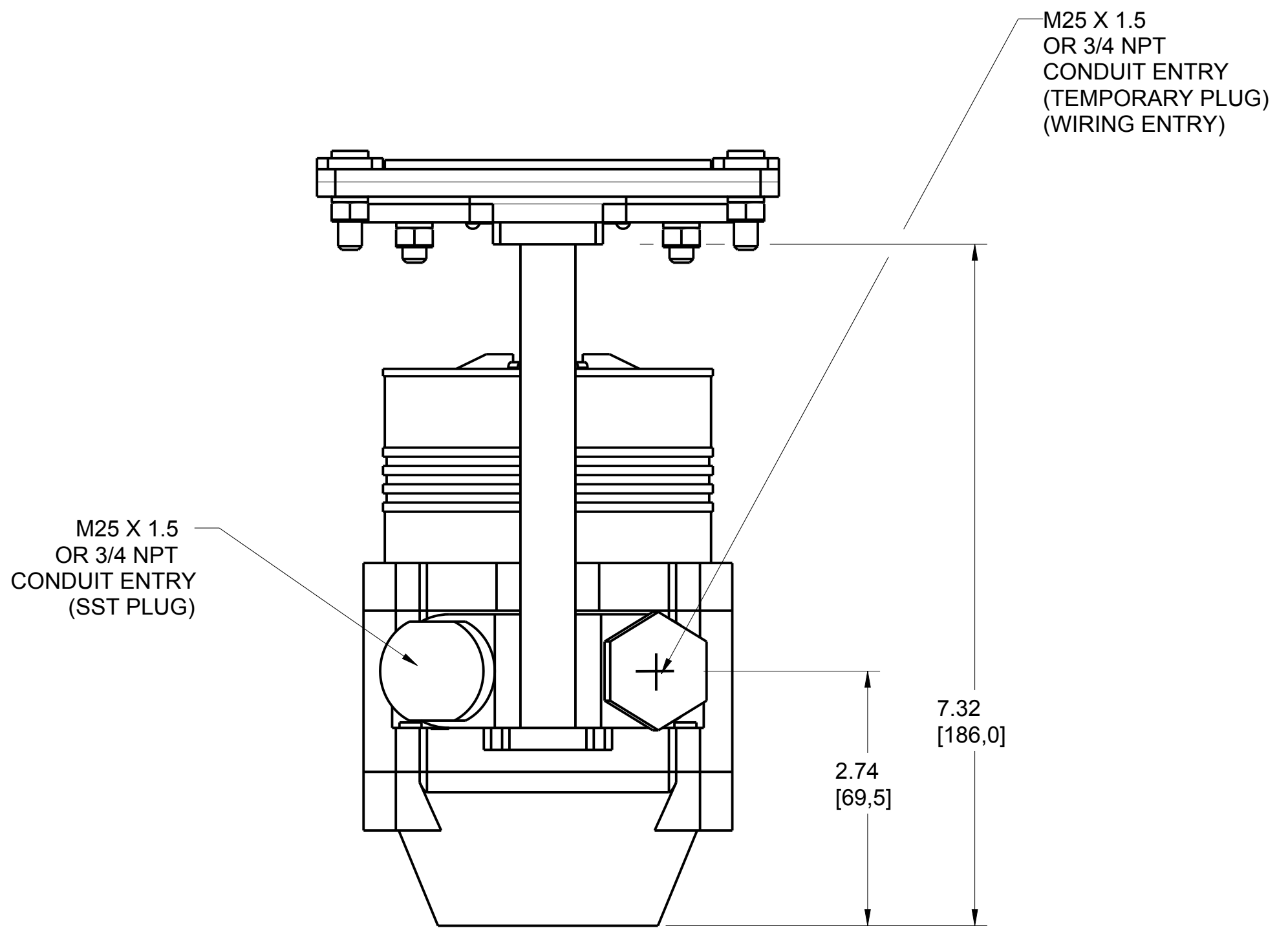
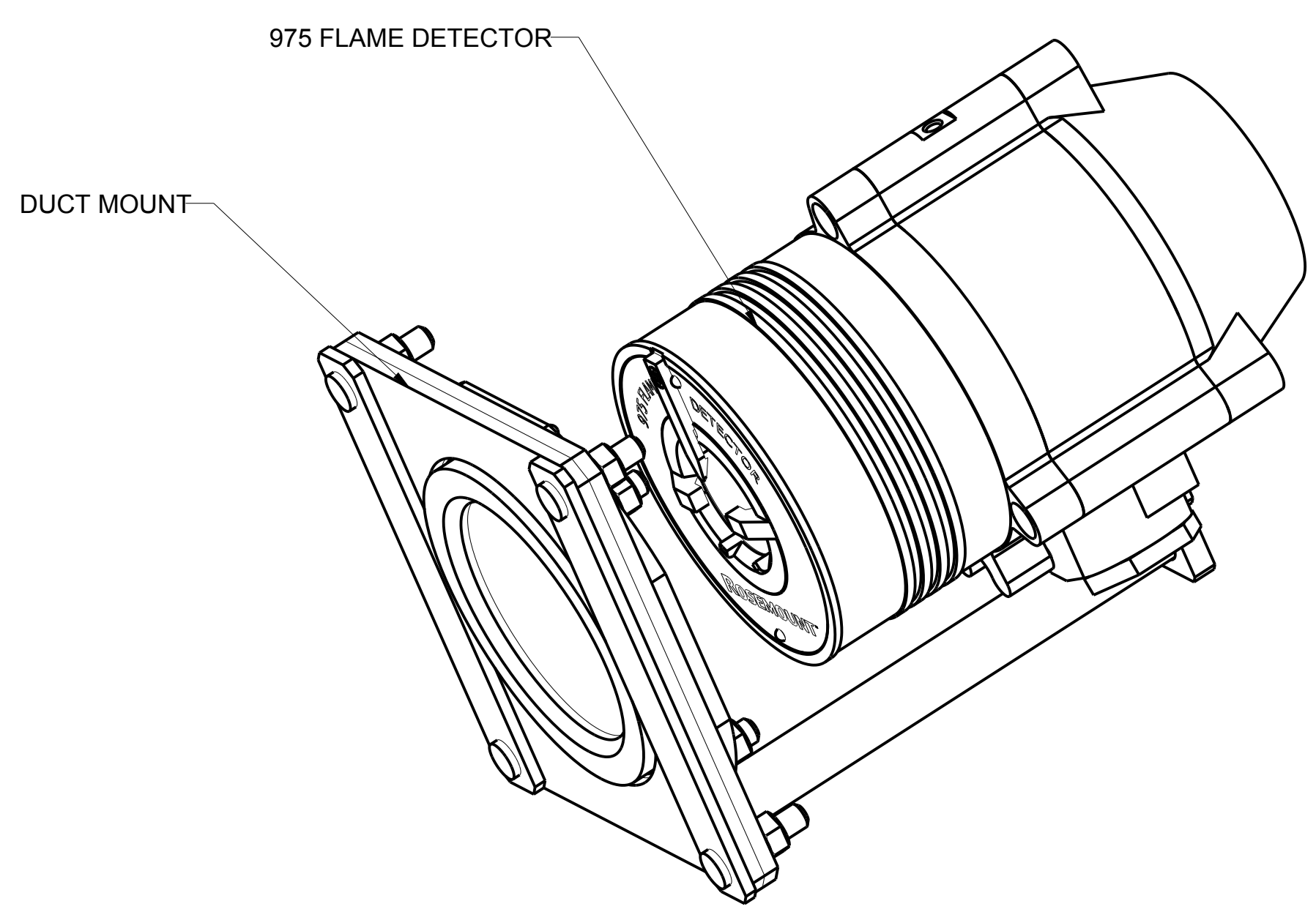
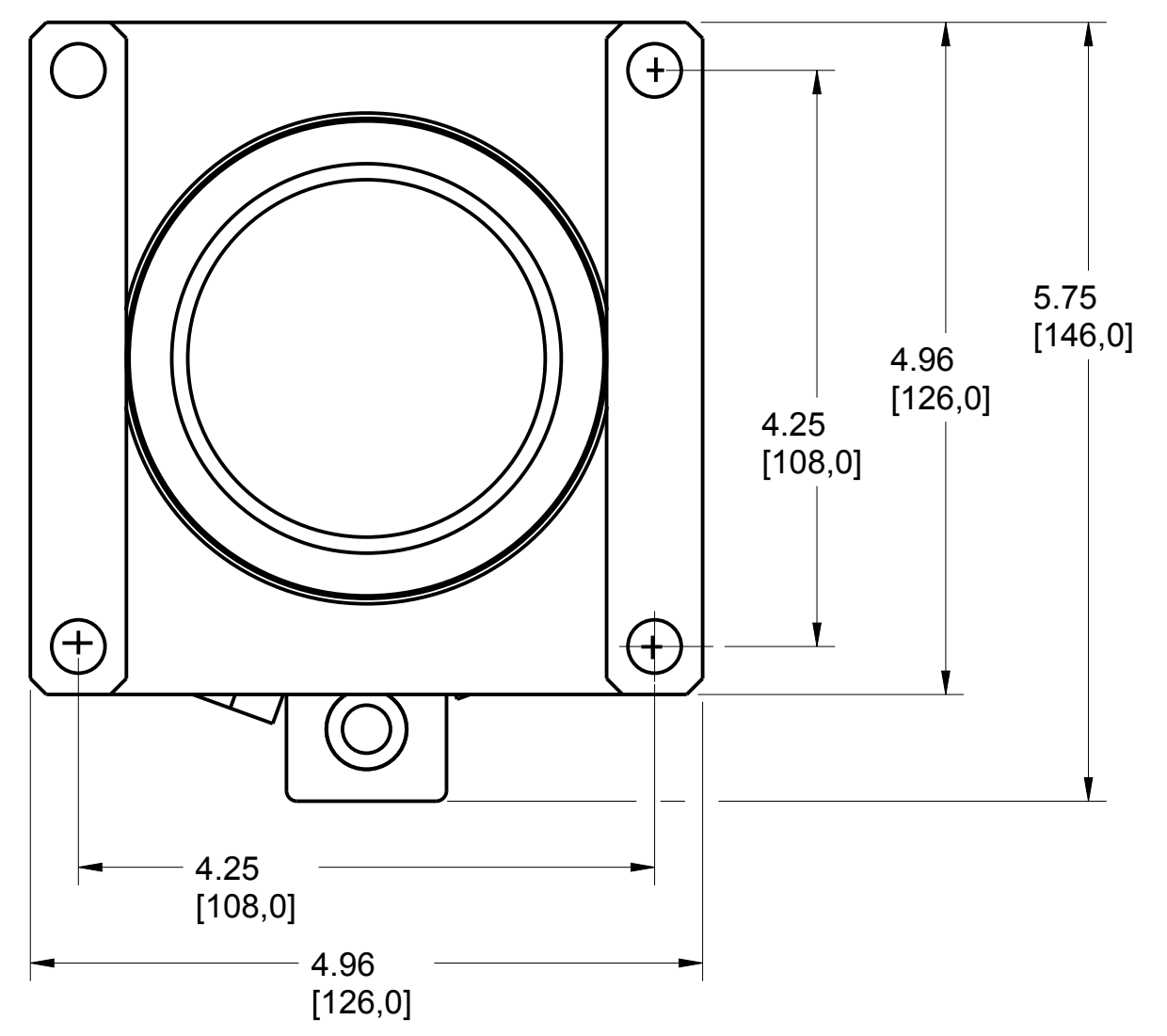
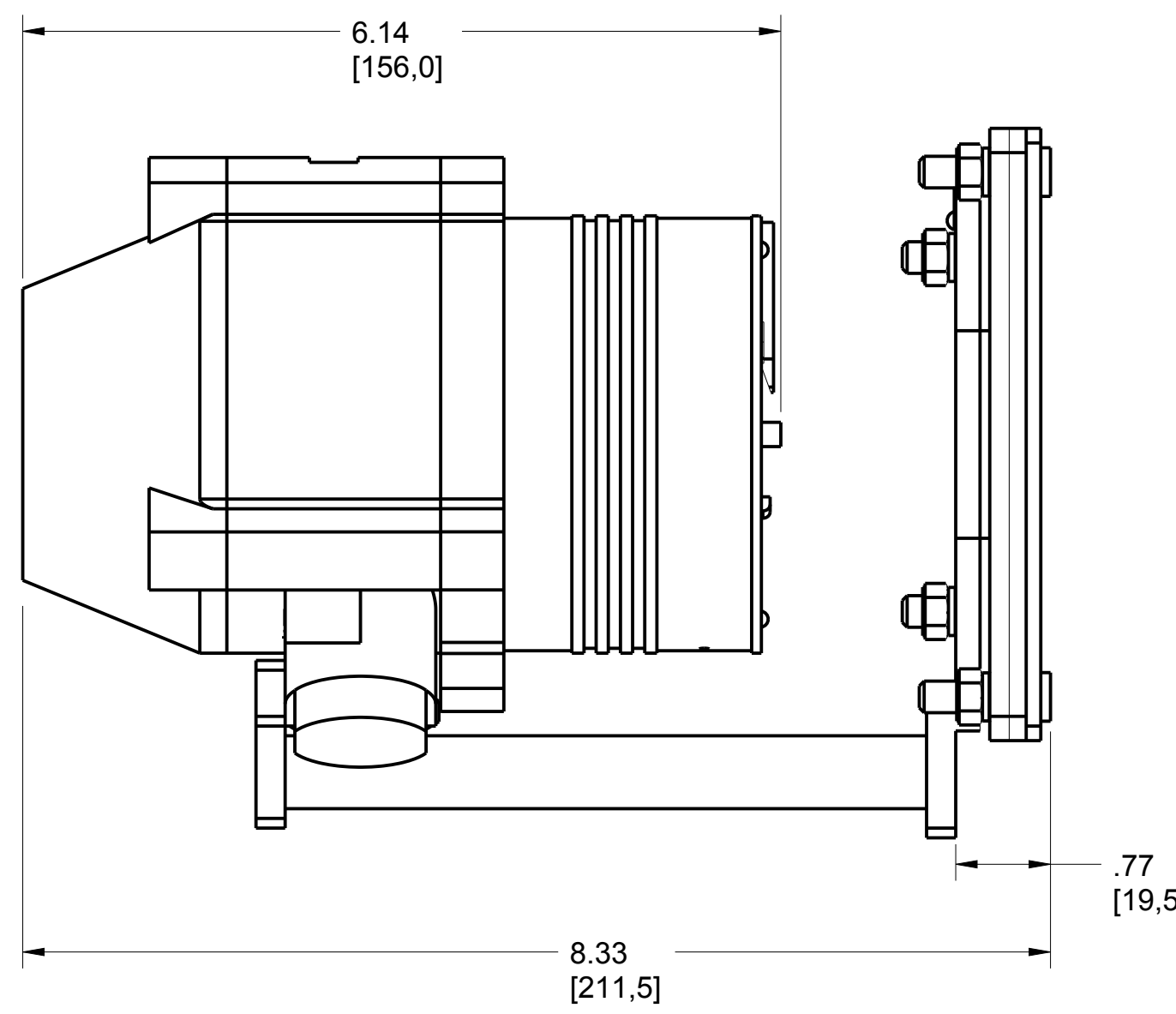


MODEL 975 FLAME DETECTOR WITH DUCT MOUNT

REVISION TABLE			
REVISION	ECO NO.	APP'D	DATE
AA	RTCXXXXX	M. NYLAND	12/8/16
DESCRIPTION			
NEW RELEASE			



©2015 ROSEMOUNT INC.
ROSEMOUNT INC. CERTIFIES
THIS DRAWING TO BE IN
ACCORDANCE WITH
ROSEMOUNT ENGINEERING
SPECIFICATIONS.
UNIT NOTES IN INCHES (mm).

REFERENCE ROSEMOUNT
PRODUCT SPECIFICATIONS.
CLICK HERE

3RD ANGLE

EMERSON

ROSEMOUNT 975 & DUCT MOUNT
TYPE I DRAWING

DR. J. ARMSTRONG	11/8/16	DRAWING NO.	00975-7009
APP'D M. NYLAND	11/7/16		

CAD MAINTAINED, (PROE) SHEET 1 OF 1