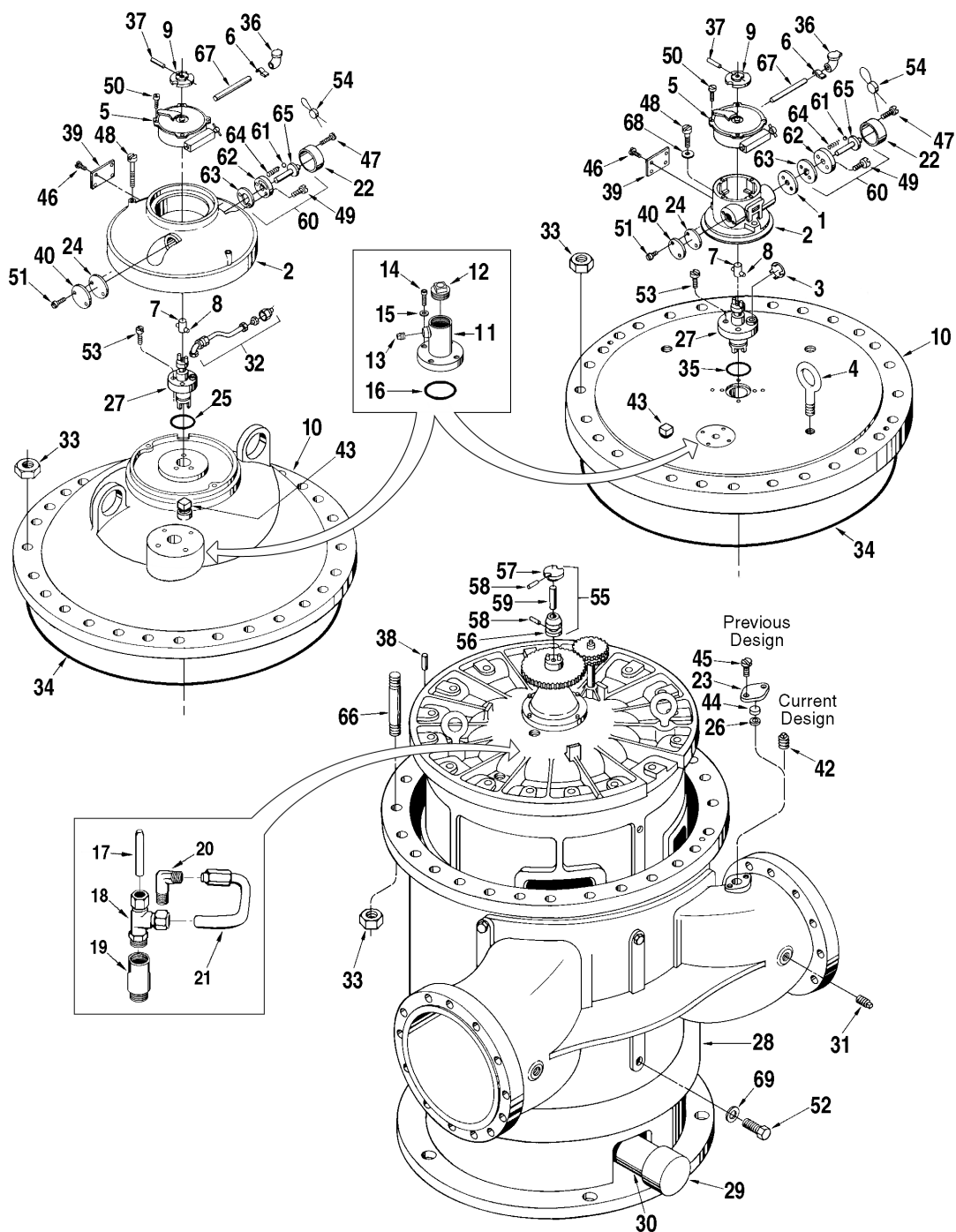


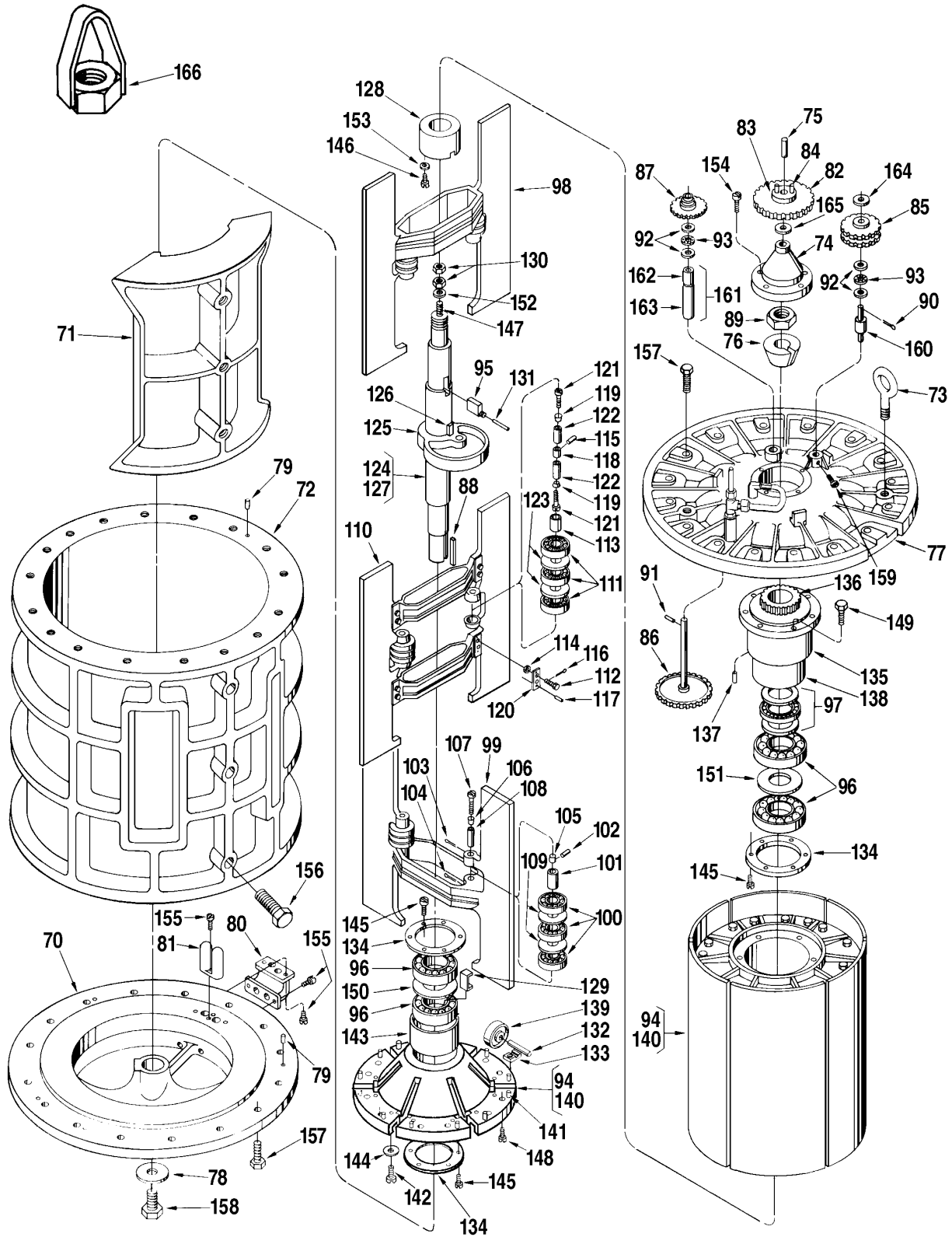
Meter, PD Series, K12-S1, S3, S5, S6 and S7

Bulletin PO01018 Issue/Rev. 0.4 (3/18)

S1, S3, S5

S6, S7





Item	Description	Qty.	K12-S1	K12-S3 K12-S5	K12-S6 K12-S7
1	Adapter, Calibrator Adjusting Stem.....	1	512372-001
2	Adapter:				
	Standard and ATC	1	518350-001	518350-001	515755-001
	Slotted (For Use with Packing Gland Lubrication Kit).....	1	518350-002	518350-002
	ATG	1	506123-002	506123-002	516608-001
3	Blank, Snap-In	1	015533-402
4	Bolt, Eye	2	065289-001
5	+ Calibrator:				
	Manual.....	1	512059-001	512059-001	512059-001
	Temperature Condensated, Standard	1	512060-001	512059-001	512060-001
	@1 Temperature Condensated, Special Temperature of API Gravity.....	1	516130-xxx	516130-xxx	516130-xxx
	Dummy Calibrator.....	1	516105-001	516105-001	516105-001
6	Clamp, Oil Tube	1	003905-001	003905-001	003905-001
7	Coupling, Calibrator Drive:				
	Standard, Used on 3/16" Shaft.....	1	005969-001	005969-001	005969-001
	Used on Transmitters with 1/4" Shaft	1	005969-002	005969-002	005969-002
8	Pin	1	003540-001	003540-001	003540-001
9	+ Coupling, Drive	1	072103-001	072103-001	072103-001
10	Cover:				
	S7	1	518803-001
	All Others.....	1	513321-001	533071-001
	Vent:				
11	Vent Housing	1	554606-003	554606-003
12	Pipe Plug, 2" NPT.....	1	645350-401	645350-401
13	Pipe Plug, 1/2" NPT.....	1	645242-402	645242-402
14	Screw.....	4	646205-402	646205-402
15	Washer	4	065309-002	065309-002
16	O-Ring	1	646612-401	646612-401
17	Spacer	1	554059-009	554059-003
18	Fitting.....	1	646200-401	646200-401
19	Adapter	1	554336-001	554336-001
20	Elbow.....	1	643386-405	643386-405
21	3/8" Tubing	1	644759-402	644759-402
22	Cover Knob.....	1	003553-001	003553-001	003553-001
23	Flange, Temperature Well.....	1	011941-001	011941-001	012026-001
24	Gasket, Cover Plate.....	1	003834-001	003834-001	003834-001
25	+ Gasket, Packing Gland.....	1	011337-001	011337-001
26	Gasket, Temperature Well	1	060341-001	060341-001	060341-001
27	+@2 Gland, Packing:				
	Standard.....	1	009652-001	009652-001	515849-001
	PTFE ¹	1	009652-002	009652-002	515849-002
	NACE.....	1	551132-001	515549-001
28	Housing Assembly:				
	S1, S3, S6 Standard.....	1	C/F	518925-002	533074-001
	S5, S7	1	513326-002	518802-001
	S3, S6 (with Flanged Drain) NACE	1	518925-051	551505-001
29	Cap, Pipe:				
	Standard.....	1	640259-001	640259-001	640259-001
	NACE	1	645238-402
30	Nipple, Pipe:				
	S7	1	643351-401
	All Others, Standard	1	640475-002	640475-002	640475-002
	S3 Only, NACE.....	1	645249-403
31	Plug, Pipe, 1/2" NPT:				
	Standard.....	2	006505-002	006505-002	006505-002
	S3 and S6 NACE.....	2	645242-402	645242-402

1 Polytetrafluoroethylene (PTFE).

Item	Description	Qty.	K12-S1	K12-S3 K12-S5	K12-S6 K12-S7
32	Lubrication Assembly.....	1	513127-001	513127-001
33	Nut, Housing to Cover:				
	S7, 1-1/2"-8	64	642148-410
	S6, 1-1/4"-8	64	640976-402
	All Others, 1"-8	56	006385-400	006385-400
34	+ O-Ring, Cover:				
	Buna-N	1	513032-001	513032-001	513032-001
	Viton	1	513032-002	513032-002	513032-002
35	+ O-Ring, Packing Gland:				
	Buna-N	1	640888-001
	Viton	1	640894-001
36	Oiler	1	006588-001	006588-001	006588-001
37	Pin, Groove, 5/64 x 1/2"	1	006053-002	006053-002	006053-002
38	Pin, Locating Dowel	2	641075-401	641075-401	641075-401
39	Plate, Caution	1	006571-001	006571-001	006571-001
40	Plate, Cover	1	003440-001	003440-001	003440-001
41	* Plate, Lubrication	1	517715-002	517715-002	515873-001
42	Plug, Pipe, 1/2" NPT:				
	Standard	1	006505-002	006505-002	006505-002
	NACE:				
	S3	3	645242-402
	S6	4	645242-402
43	Plug, Pipe, 1" NPT:				
	Standard	1	006482-002	006482-002	006482-402
	NACE:				
	S3	1	645242-404
	S6	1	645242-404
44	Plug, Temperature Well.....	1	012025-001	012025-001	012025-001
45	Screw:				
	S1, S3, S5, 5/16-18 x 7/8"	2	009563-400	009563-400
	S6 and S7, 5/16-18 x 3/4"	4	006409-002
46	Screw, Drive, #2 x 1/8"	12	009880-400	009880-400	009880-400
47	Screw, #10-24 x 3/4"	2	006481-003	006481-003	006481-003
48	Screw, Adapter to Cover	2	642043-432	642043-432	642019-416
49	Screw, Base Plate. #10-32 x 7/8"	2	640835-001	640835-001	640835-001
50	Screw, Calibrator Mounting.....	2	006048-002	006048-002	006048-002
51	Screw, Cover Plate, #10-32 x 3/8"	2	006045-002	006045-002	006045-002
52	Screw, Nozzle to Innermech:				
	R Standard 7/8-9 x 3-1/2"	4	P8000017725	P8000017725	P8000017725
	NACE:				
	R S3 Only 7/8-9 x 3-1/2"	4	P8000017725
	R S6 Only 7/8-9 x 4"	4	P8000017726
53	Screw, Packing Gland:				
	5/16-18 x 1-1/4"	3	006511-002	006511-002
	7/16-14 x 1-1/2"	4	006410-002
54	Seal, Lead, and Wire	2	001627-400	001627-400	001627-400
55	Shaft Assembly, Calibrator Drive:				
	S7	1	518804-001
	All Others	1	512944-001	512944-001	533065-001
56	Coupling, Lower Drive:				
	S7	1	518851-001
	All Others	1	503408-001	503408-001	503408-001
57	Coupling, Upper Drive	1	501970-001	501970-001	501800-002
58	Pin, Groove, 5/64 x 1/2":				
	S7	2	065354-002
	All Others.....	2	006053-002	006053-002	006053-002

Item	Description	Qty.	K12-S1	K12-S3	K12-S6
				K12-S5	K12-S7
59	Shaft:				
	S7	1	518850-001
	All Others	1	512945-001	512945-001	533064-001
60	Stem Assembly, Adjusting.....	1	009838-001	009838-001	009838-001
61	Ball.....	2	006427-001	006427-001	006427-001
62	Plate, Base	1	003552-001	003552-001	003552-001
63	Plate, Retainer.....	1	003556-001	003556-001	003556-001
64	Spring, Knob.....	2	003557-001	003557-001	003557-001
65	Stem, Adjusting.....	1	003551-001	003551-001	003551-001
66	Stud:				
	S1, S3, S5	28	640446-402	640446-402
	S6	32	642355-404
	S7	32	642356-405
67	Tube, Oil	1	514658-001	514658-001	514658-001
68	Washer, Lock Spring.....	2	002917-400
69	Washer, Nozzle to Innermech.....	4	518854-001	518854-001	518854-001

Inner Mechanism

Item	Description	Qty.	Part Number
70	Base.....	1	512978-001
71	Block:		
	Standard.....	1	512983-001
	High Viscosity for 1,000 SSU to 3,000 SSU.....	1	512983-201
	High Viscosity for 3,000 SSU to 5,000 SSU.....	1	512983-202
	High Viscosity for 5,000 SSU to 10,000 SSU.....	1	512983-203
72	Body.....	1	512982-001
73	Bolt, Eye	2	065433-005
74	Cap, Adjusting Screw.....	1	502823-001
75	Shaft, Drive Gear	1	503407-001
76	Cone, Shaft.....	1	512962-001
77	Cover	1	512977-001
78	Cover, Rotor Shaft	1	512968-001
79	Dowel, Cover, and Base	2	641075-401
80	Elbow, Pitot Fitting	1	513060-001
81	Fitting, Pitot.....	1	503582-001
82	@3 Gear, Calibrator Drive:		
	Hectoliters, Standard.....	1	518417-001
	Barrels, Standard	1	512947-001
83	Bushing:		
	Standard.....	1	065311-001
84	Pin	2	500418-001
85	@3 Gear, Idler:		
	Hectoliters, Standard.....	1	518415-001
	Barrels, Standard	1	512948-001
	Barrels, LPG.....	1	533114-001
86	Gear, Jackshaft.....	1	512949-001
87	@3 Gear, Jackshaft Pinion:		
	Standard.....	1	512951-001
	LPG	1	533102-001
88	Key, Rotor Shaft.....	1	513122-001
89	Nut, Rotor Shaft, 1-3/4"-8, UN-3B	1	643797-401
90	Pin, Cotter, 1/8 x 3/4".....	1	001292-401
91	Pin, Groove, 1/8 x 3/4".....	1	006127-002
92	+ Plate, Thrust Bearing	4	001111-001

Item	Description	Qty.	Part Number
93	+ Retainer, Thrust Bearing.....	2	070360-001
94	Rotor Assembly, Standard	1	517522-001
95	Bar, Adjusting.....	1	536440-001
96	+ Bearing, Rotor:		
	Standard and All Iron	4	513168-001
	LPG	4	513168-002
97	+ Bearing, Thrust.....	1	641071-401
98	+ Blade Assembly, Upper:		
	Standard	1	513106-001
	Modified for 1,000 SSU to 3,000 SSU	1	513106-101
	Modified for 3,000 SSU to 5,000 SSU	1	513106-102
	Modified for 5,000 SSU to 10,000 SSU	1	513106-103
	Modified for 200°F.....	1	513106-104
	Modified for 1,000 SSU to 3,000 SSU and 200°F.....	1	513106-105
	Modified for 3,000 SSU to 5,000 SSU and 200°F.....	1	513106-106
	Modified for 5,000 SSU to 10,000 SSU and 200°F.....	1	513106-107
99	+ Blade Assembly, Lower:		
	Standard	1	513107-001
	Modified for 1,000 SSU to 3,000 SSU	1	513107-101
	Modified for 3,000 SSU to 5,000 SSU	1	513107-102
	Modified for 5,000 SSU to 10,000 SSU	1	513107-103
	Modified for 200°F	1	513107-104
	Modified for 1,000 SSU to 3,000 SSU and 200°F	1	513107-105
	Modified for 3,000 SSU to 5,000 SSU and 200°F	1	513107-106
	Modified for 5,000 SSU to 10,000 SSU and 200°F	1	513107-107
100	Bearing	6	644412-407
101	Bushing.....	2	513016-001
102	Pin, Blade Bearing Bushing.....	2	513150-001
103	Pin, Cotter, 1/8 x 2"	4	006187-001
104	Pin, Cotter, 1/8 x 2-1/2"	2	640477-001
105	Plug, Center.....	2	513017-001
106	Plug, End.....	4	513018-001
107	Screw, Cap, 1/4-28 x 1-1/2".....	4	640438-403
108	Sleeve, Expansion.....	4	513019-001
109	Spacer	4	516947-001
110	+ Blade Assembly, Middle:		
	Standard	1	513121-001
	Modified for 1,000 SSU to 3,000 SSU	1	513121-101
	Modified for 3,000 SSU to 5,000 SSU	1	513121-102
	Modified for 5,000 SSU to 10,000 SSU	1	513121-103
	Modified for 200°F	1	513121-104
	Modified for 1,000 SSU to 3,000 SSU and 200°F	1	513121-105
	Modified for 3,000 SSU to 5,000 SSU and 200°F	1	513121-106
	Modified for 5,000 SSU to 10,000 SSU and 200°F	1	513121-107
111	+ Bearing	6	644412-407
112	Bolt	8	513158-001
113	Bushing.....	2	513016-001
114	Nut, Hex.....	8	006015-002
115	Pin, Blade Bearing Bushing.....	2	513150-001
116	Pin, Cotter, 3/32 x 1"	8	006308-001
117	Pin, Dowel	8	513173-001
118	Plug, Center.....	2	513017-001
119	Plug, End.....	4	513018-001
120	Retainer, Dowel	8	513146-001
121	Screw, Cap, 1/4-28 x 1-1/2".....	4	640438-403
122	Sleeve, Expansion.....	4	513019-001
123	Spacer	4	516947-001

Item	Description	Qty.	Part Number
124	+ Cam and Shaft Assembly	1	513157-001
125	Cam	1	518132-001
126	Key	1	513122-001
127	Shaft	1	512961-001
128	Collar	1	512957-001
129	Lock, Rotor Bearing	2	513119-001
130	Nut, Adjusting Screw	2	640671-001
131	Pin, Roll, 5/32 x 1"	1	010527-400
132	Pin, Rotor Cover Roller	6	512960-001
133	Plate, Rotor Cover Roller Pin	12	502858-001
134	Plate, Lock	2	512965-001
135	Plate, Rotor Gear	1	512958-001
136	Gear, Rotor	1	512959-001
137	Pin, Lock	1	503321-001
138	Sleeve, Upper Rotor Bearing (Not sold as a separate component - included with item 140)	-	-----
139	+ Roller, Rotor Cover:		
	Standard and All Iron	6	503552-001
140	Rotor, Sub Assembly:		
	Standard	1	512980-001
	Modified for 1,000 SSU to 3,000 SSU	1	512980-101
	Modified for 3,000 SSU to 5,000 SSU	1	512980-102
	Modified for 5,000 SSU to 10,000 SSU	1	512980-103
	Modified for 200°F	1	512980-104
	Modified for 1,000 SSU to 3,000 SSU and 200°F	1	512980-105
	Modified for 3,000 SSU to 5,000 SSU and 200°F	1	512980-106
	Modified for 5,000 SSU to 10,000 SSU and 200°F	1	512980-107
141	Dowel	13	502945-001
142	Screw, 5/8-11 X 2-1/4", Drilled	12	503665-001
143	Sleeve, Lower Rotor Bearing (Not sold as a separate component - included with item 140)	-	-----
144	Washer	12	513138-001
145	Screw, 5/16-18 x 5/8", Drilled	12	640353-001
146	Screw, #10-32 x 3/8"	2	643339-401
147	Screw, Adjusting	1	512956-001
148	Screw, Pin Clamp, 3/8-16 x 1-1/4", Drilled	12	660248-404
149	Screw, Rotor Gear Plate 1/2-13 x 1-3/4", Drilled	6	503664-001
150	Spacer, Lower Rotor Bearing	1	512967-001
151	Spacer, Upper Rotor Bearing	1	512966-001
152	Washer, Flat	1	646636-401
153	Washer, Flat	2	006929-001
154	Screw, 3/8-16 x 1-1/4"	4	002238-401
155	Screw, 5/16-18 x 7/8"	6	009563-400
156	Screw, Body to Block, 5/8-11 x 2-1/4"	3	640206-006
157	Screw, Cover, and Base, 5/8-11 x 2-1/4"	32	640206-006
158	Screw, Rotor Shaft, 3/4-10 x 2-1/4"	1	641079-401
159	Screw, Set, 1/4-20 x 1/4"	1	006538-001
160	Shaft, Pinion with Spacer	1	513159-001
161	Sleeve Assembly:		
	Standard	1	512950-001
	LPG	1	533113-001
162	Bushing:		
	Standard	1	642242-404
	LPG	1	533093-001
163	Bushing, Flanged:		
	Standard	1	641077-401
	LPG	1	533094-001
164	Washer, Flat	1	005500-401
165	Washer, Flat	1	002801-400
166	Rotor Lifting Lug	#	551919-001

Inner Mechanism General Assembly Numbers

Barrel Geared, Standard.....	513167-091
Barrel Geared, All Iron Trim	513167-092
Barrel Geared, LPG Trim	513167-093
Hectoliter Geared, Standard	513167-891
Hectoliter Geared, All Iron Trim.....	513167-892
Hectoliter Geared, LPG Trim	513167-893

- * Not illustrated.
- + Recommended stock.
- R Indicates change since last revision.
- # As required.
- @1 Note 1: When ordering, include product temperature range, specific or API gravity, API table used, and meter and gearing the calibrator is to be used in conjunction with.
- @2 Note 2: See Form No. [PO01042](#) for component parts.
- @3 Note 3: Only standard gearing is listed. For additional gearing combinations, see Gear Train Bulletin [AB01023](#).

The specifications contained herein are subject to change without notice and any user of said specifications should verify from the manufacturer that the specifications are currently in effect. Otherwise, the manufacturer assumes no responsibility for the use of specifications which may have been changed and are no longer in effect.
Contact information is subject to change. For the most current contact information, visit our website at [TechnipFMC.com](#) and click on the "Contact Us" link.