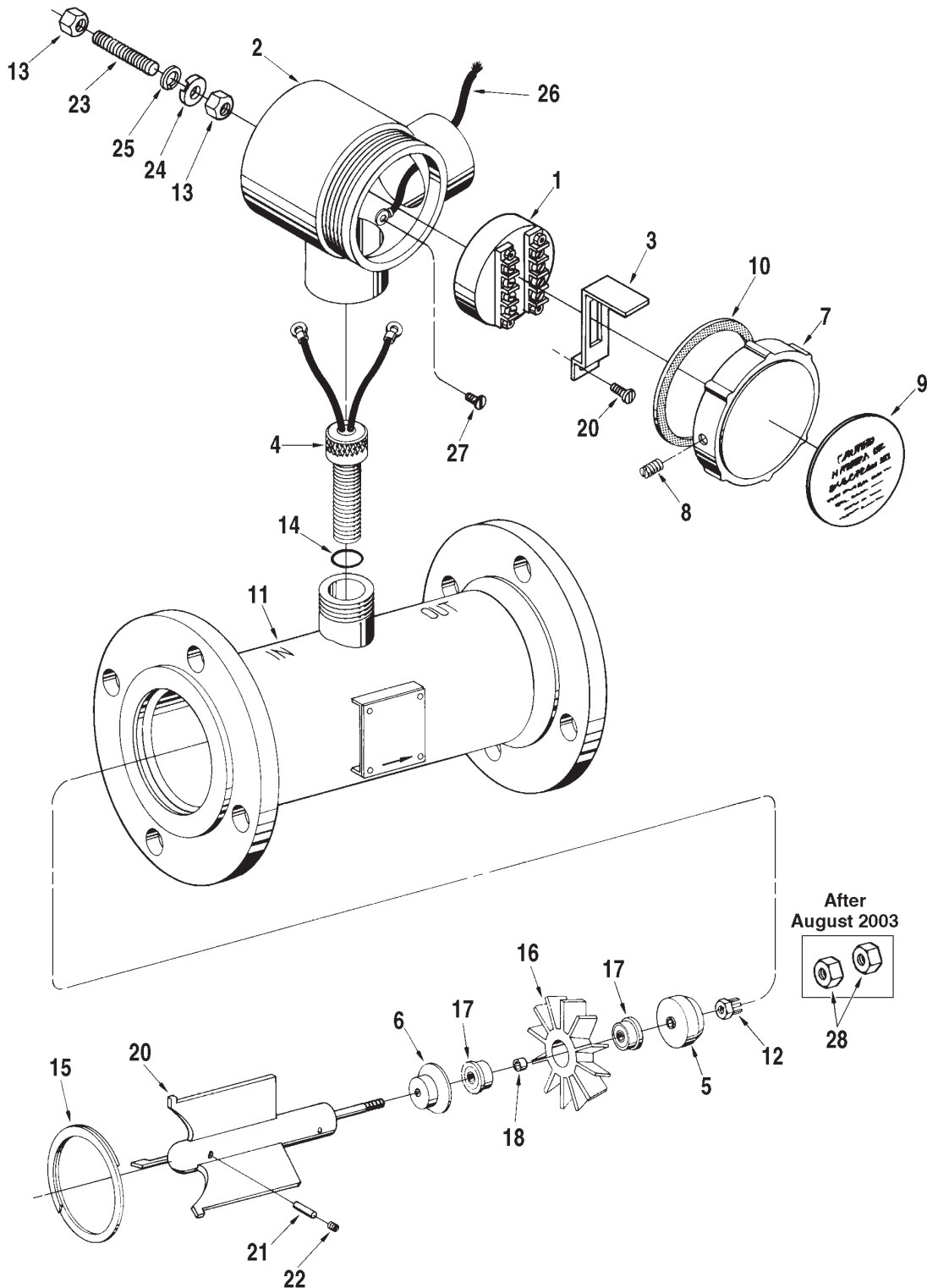


Meter, Turbine, 4 Inch, Guardsman™ LB Series

Bulletin PO02009 Issue/Rev. 0.0 (09/13)



Item		Description	Qty.	Part Number
1	+	Preamplifier:		
		PA-2, 12 Vdc, Dual Channel.....	#	212012-101
		PA-4, 12 or 24 Vdc, Single Channel.....	#	230662-101
		PA-6, 12 to 24 Vdc.....	#	230663-101
2		Box, Conduit.....	#	543256-200
3		Clip, Retaining.....	1	543192-203
4	+	Coil, Pickup:		
		-100°F to +225°F Temperature Range (Standard).....	#	644327-401
		-100°F to +400°F Temperature Range.....	#	641512-401
		Mating Connector With Leads.....	1	540244-101
5		Cone, Downstream.....	1	544158-201
6		Cone, Upstream.....	1	544157-201
7		Cover, Conduit Box:		
		UL/CSA Approvals.....	#	543196-100
		BASEEFA - Manufactured in U.S.A.....	#	544057-101
		BASEEFA - Manufactured in Germany.....	#	544057-102
8		Screw, Set, #6-32 x 1/4".....	2	643243-403
9		Label:		
		UL/CSA Approvals.....	1	543195-200
		BASEEFA - Manufactured in U.S.A.....	1	544056-201
		BASEEFA - Manufactured in Germany.....	1	544056-202
10		Gasket, Cover.....	#	013403-200
11	@1	Housing.....	1	See Note 1
12	@5	Nut, Flex-Loc, #10-32, UNF-2B.....	1	See Note 5
13		Nut, Hex, 1/4"-20, UNC-2B (BASEEFA Version Only).....	2	060060-002
14		O-Ring.....	#	641069-474
15	+	Ring, Retainer.....	1	644420-402
16	@2	Rotor Assembly:		
		Current Design, 430 Stainless Steel.....	1	544663-191
		Previous Design, 430 Stainless Steel.....	1	544663-193
17	+	Bearing, Ball.....	2	644532-405
18		Spacer, Inner Race.....	1	543829-201
19		Screw, #10-32 x 1/4".....	#	009544-401
20	@3	Stator Assembly, Locking.....	1	544167-102
21		Pin, Dowel, 1/8 x 3/8".....	1	644541-401
22	@4	Screw, Set, #10-32.....	1	645416-401
23		Stud (BASEEFA Version Only).....	1	550773-001
24		Washer, Inverted (BASEEFA Version Only).....	1	550770-001
25		Washer, 1/4" Lock (BASEEFA Version Only).....	1	006621-001
26		Wire, Ground, UL/CSA Version Only.....	1	544058-101
27		Screw, #10-32 x 1/4", UL/CSA Version Only.....	1	006110-002
28	@6+	Nut, Hex #10-32, UNF-2B.....	2	640704-001

Item	Description	Qty.	Part Number
Internal Parts Kit			
	430 Stainless Steel Rotor.....		544169-101

+ Recommended stock.

Order quantity required.

R Indicates revision since last issued.

@1 Note 1: Consult Parts Operation, providing the following information:

- | | |
|-----------------------------|----------------------------------|
| 1. Housing Material. | 4. Number of Pickup Coil Bosses. |
| 2. Flange Material. | 5. Flange Type. |
| 3. Flange Class (Pressure). | |

@2 Note 2: Due to a change in the design of this meter in December of 1987, it is necessary to determine whether your meter is of current or previous design. Standard serial numbers up to and including 5216, and special serial numbers up to and including 200822 are considered previous design. Numbers higher than those are current design. These numbers can be found on the nameplate and on the stator.

@3 Note 3: Contact Parts Marketing Specialist at the Parts Operation if problems are encountered installing stator.

@4 Note 4: Apply a small amount of Loctite (Part No. 643917-401) to set screw before installing.

@5 Note 5: Replaced by Item #28, Part No. 640704-001.

@6 Note 6: Replacing Item #12, Part No. 644607-403.

P0581.04X has been made obsolete and replaced by publication number PO02009 (September 2013).

The specifications contained herein are subject to change without notice and any user of said specifications should verify from the manufacturer that the specifications are currently in effect. Otherwise, the manufacturer assumes no responsibility for the use of specifications which may have been changed and are no longer in effect.

TechnipFMC.com

© TechnipFMC plc. 2020 All rights reserved. PO02009 Issue/Rev. 0.0 (09/13)

TechnipFMC
13460 Lockwood Road
Building S01
Houston, Texas 77044 USA
P:+1 281.591.4000

USA Operation
1602 Wagner Avenue
Erie, Pennsylvania 16510 USA
P:+1 814.898.5000

Germany Operation
Smith Meter GmbH
Regentstrasse 1
25474 Ellerbek, Germany
P:+49 4101 304.0