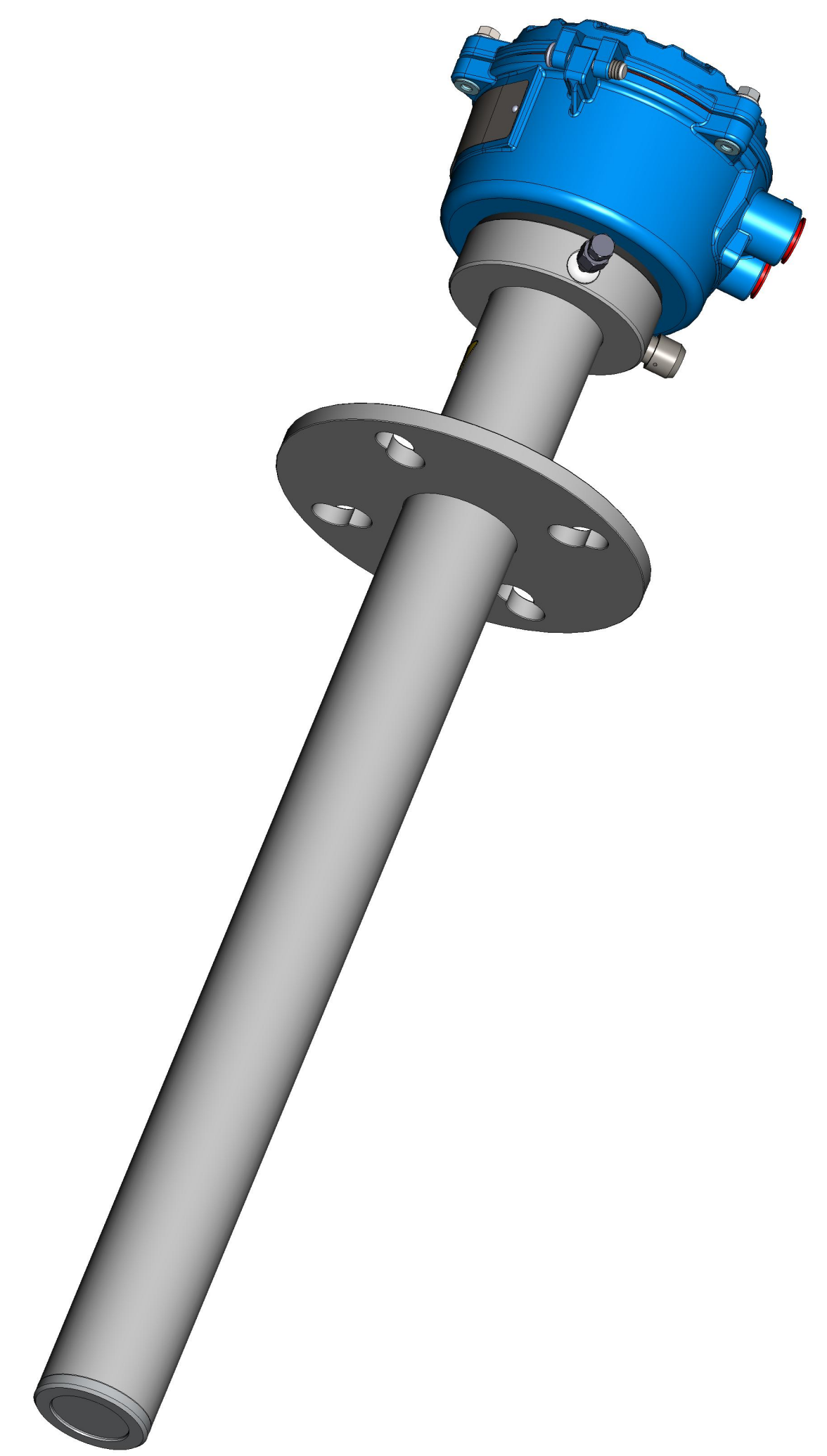
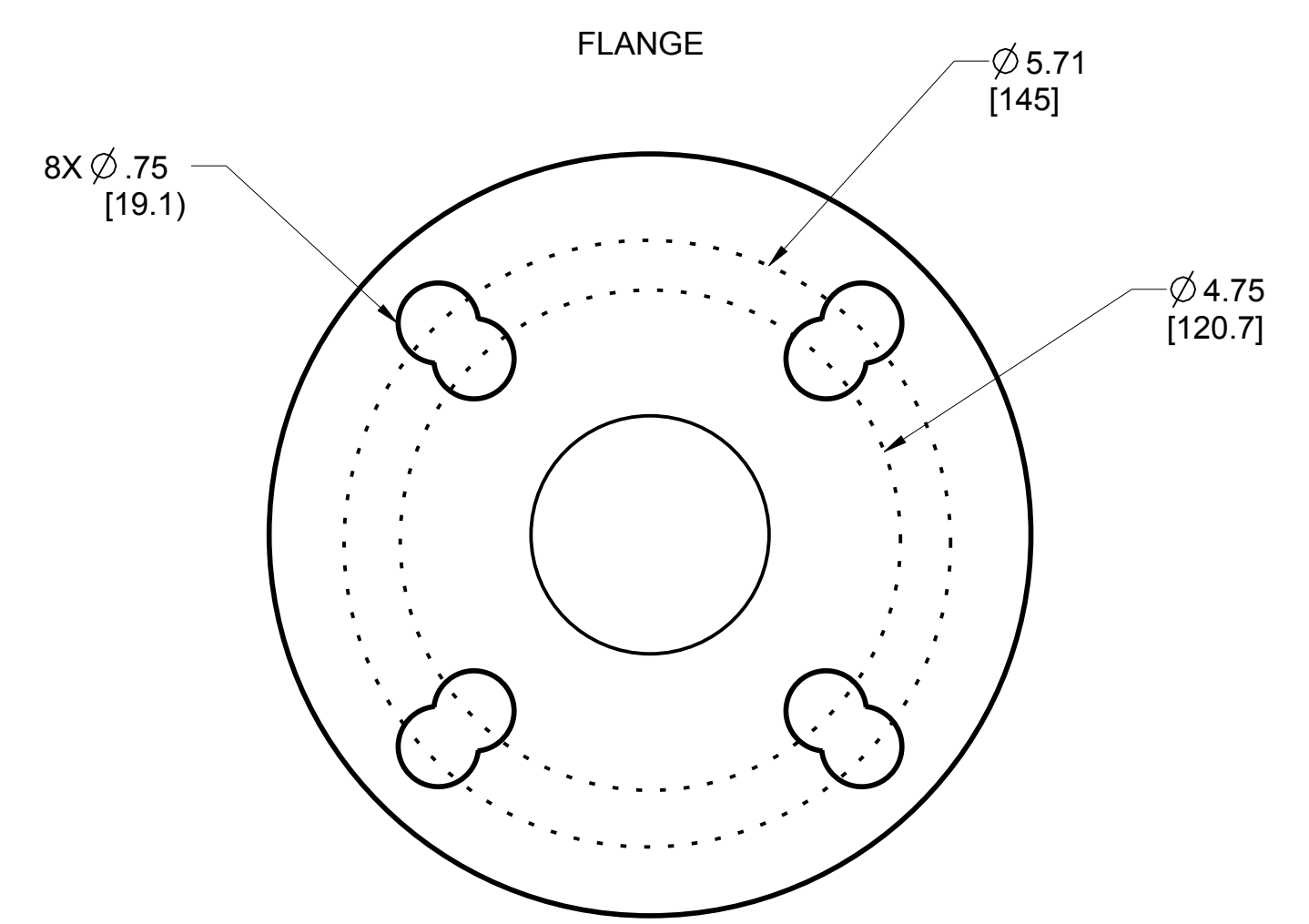
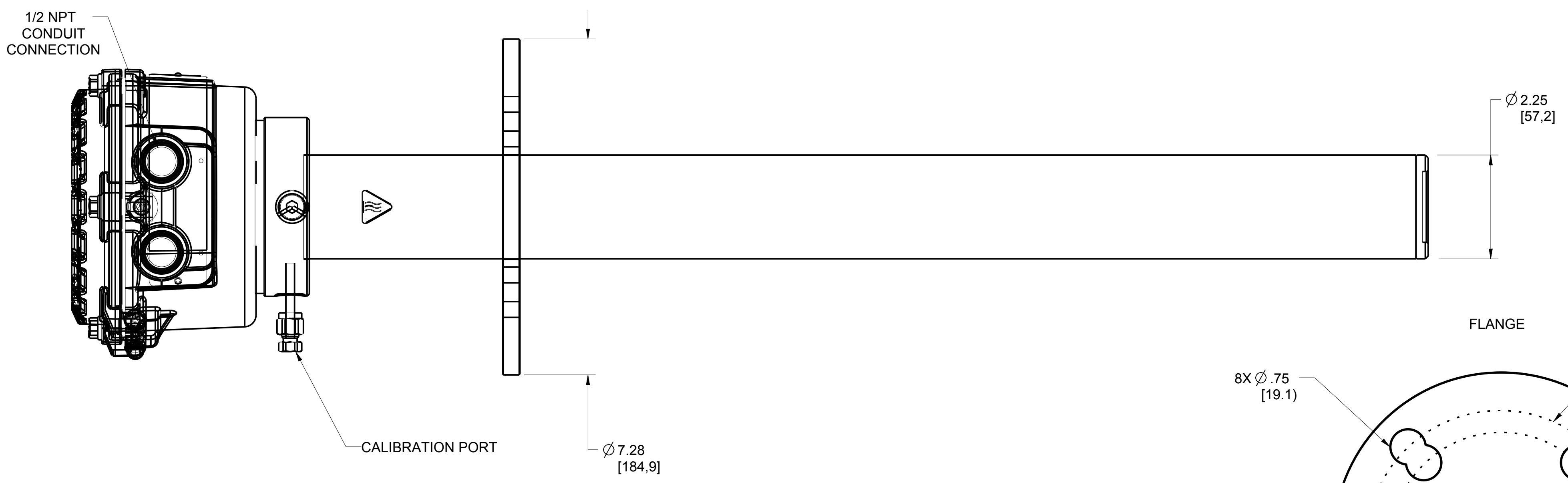
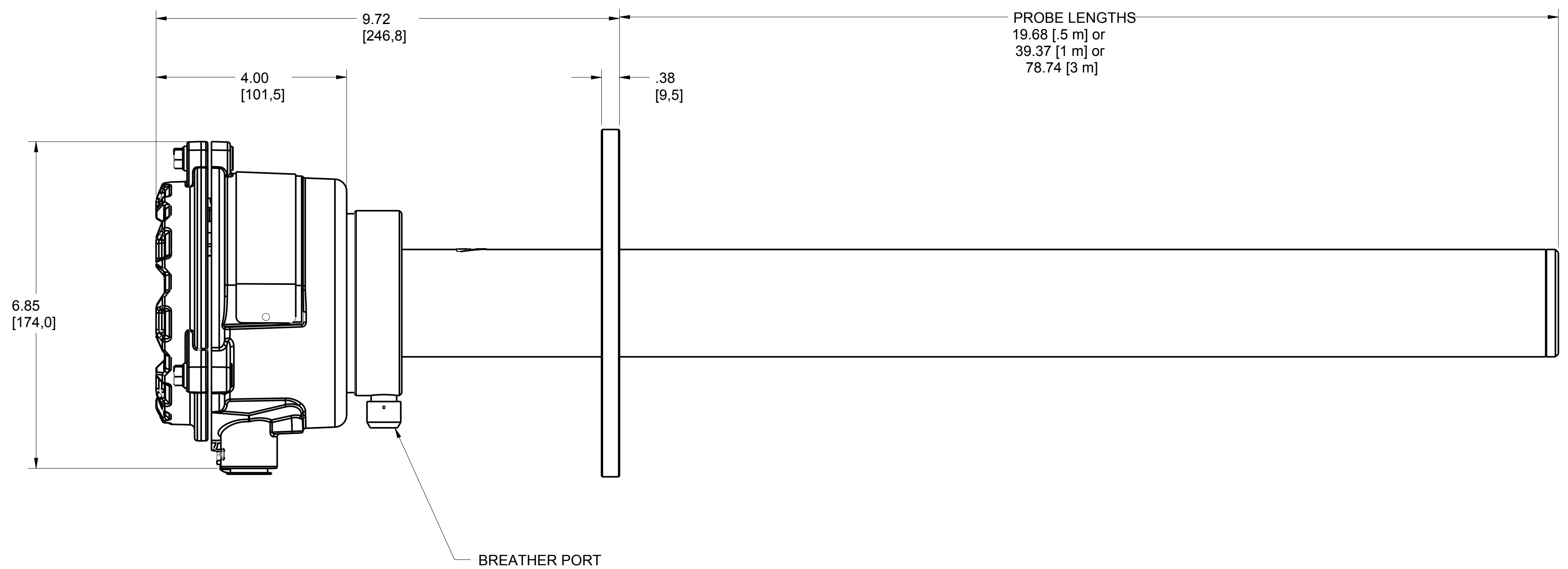


REVISION TABLE			
REVISION	ECO NO.	APP'D	DATE
AA	11985	N. JOHNSON	4/23/18
DESCRIPTION			
NEW RELEASE			



©2015 ROSEMOUNT INC.
ROSEMOUNT INC. CERTIFIES
THIS DRAWING IS MADE
IN ACCORDANCE WITH
ROSEMOUNT ENGINEERING
SPECIFICATIONS.
UNIT NOTES IN INCHES (mm).
REFERENCE ROSEMOUNT
PRODUCT SPECIFICATIONS.
CLICK HERE

3RD ANGLE SIZE D SCALE NTS

EMERSON

TITLE
**ROSEMOUNT CX1100
TYPE I DRAWING**

DR. J. ARMSTRONG	4/23/18	DRAWING NO.	CX1100-7000
APP'D N.J.	4/23/18		
CAD MAINTAINED, (PROE)		SHEET 1 OF 1	