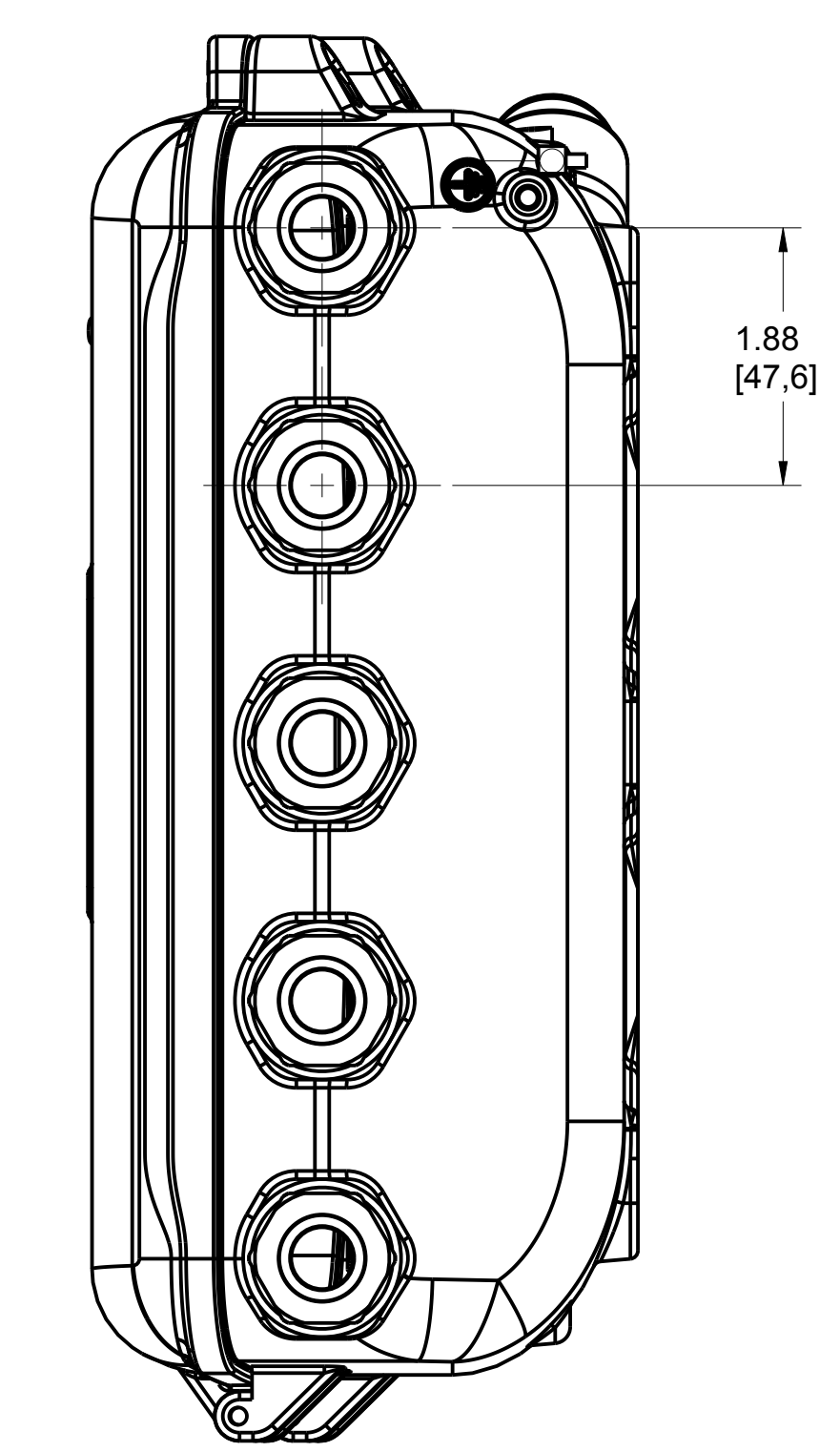
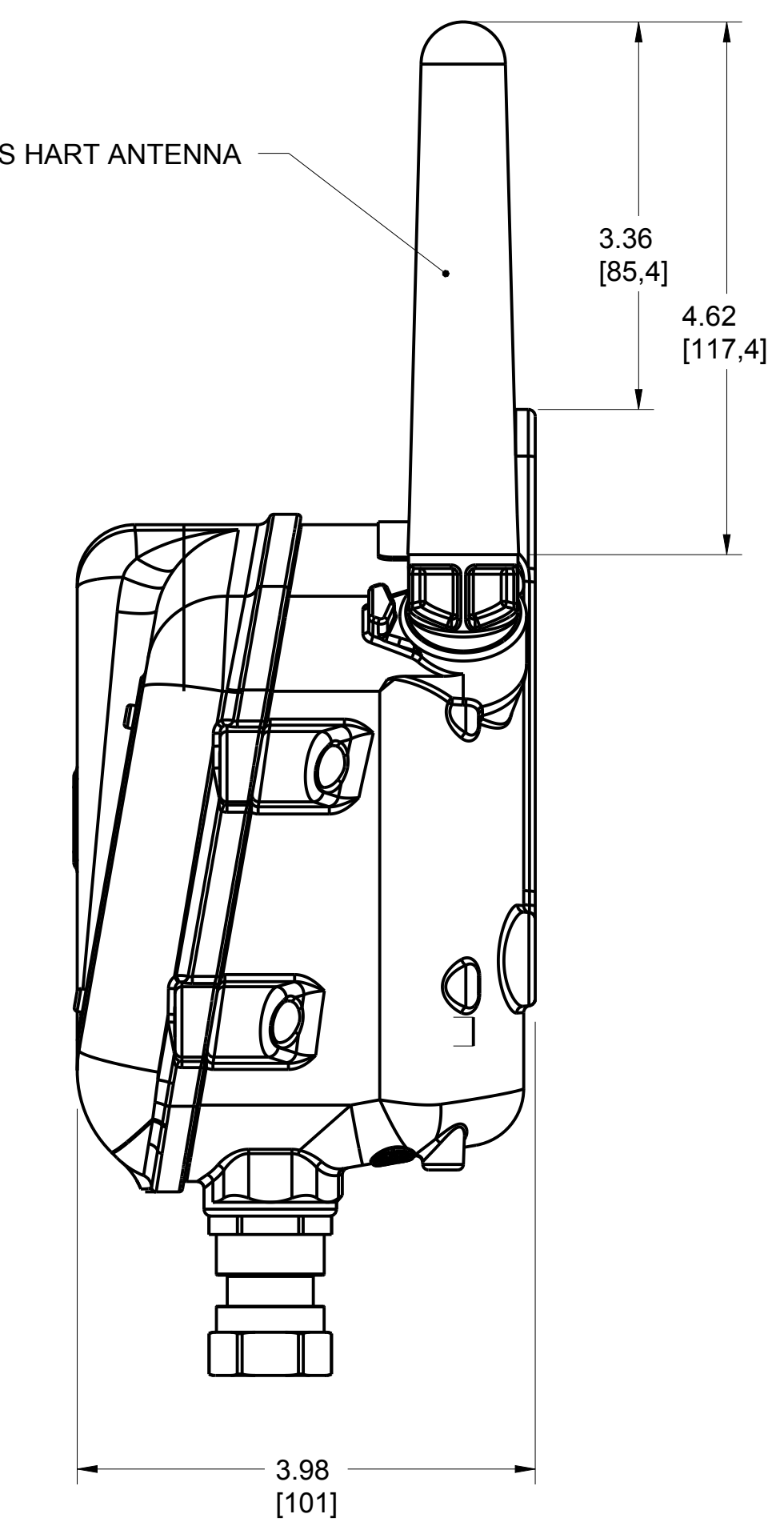
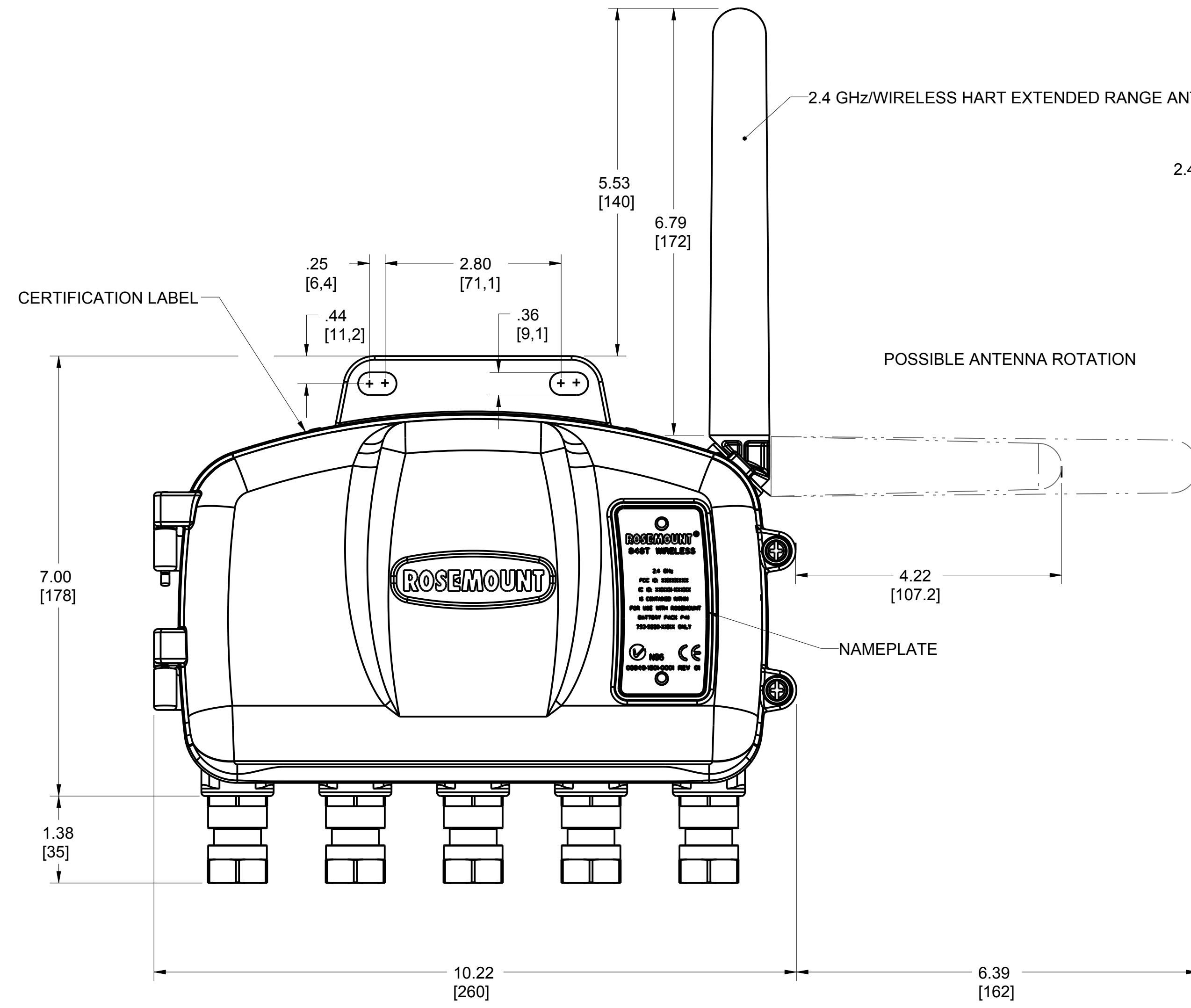


# ROSEMOUNT 848T HIGH DENSITY TEMPERATURE FAMILY WIRELESS HOUSING WITH CABLE GLANDS

REVISION TABLE			
REVISION	ECO NO.	APP'D	DATE
AC	RTC1071664	Z. MASSA	10/31/18
DESCRIPTION			
CHANGE VIEWS			



©2015 ROSEMOUNT INC.  
ROSEMOUNT INC. CERTIFIES  
THIS PRODUCT TO THE  
REQUIREMENTS OF THE  
EMERSON WIRELESS  
ROSEMOUNT ENGINEERING  
SPECIFICATIONS.  
UNIT NOTES IN INCHES (mm).  
REFERENCE ROSEMOUNT  
PRODUCT SPECIFICATIONS.  
CLICK HERE

3RD ANGLE

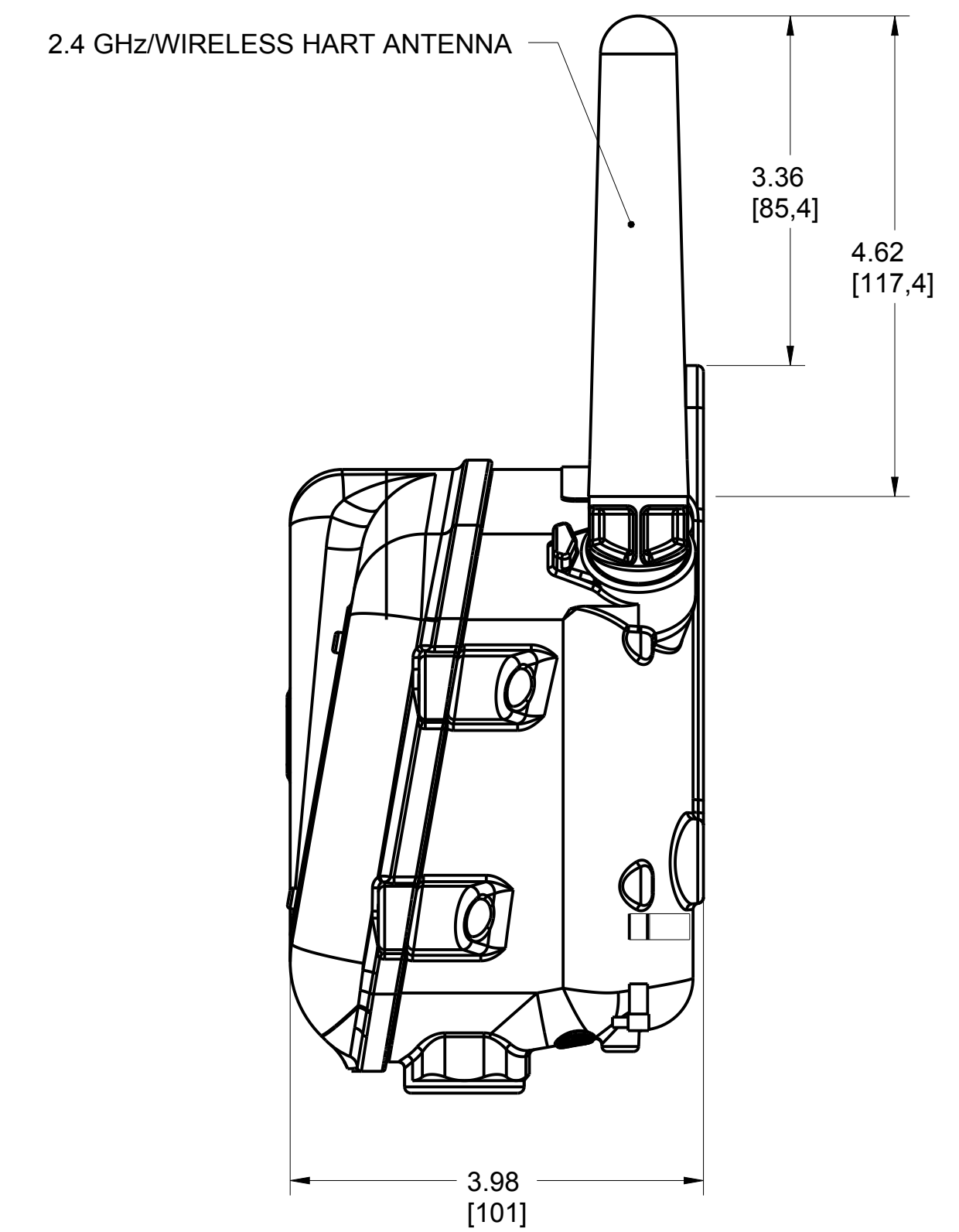
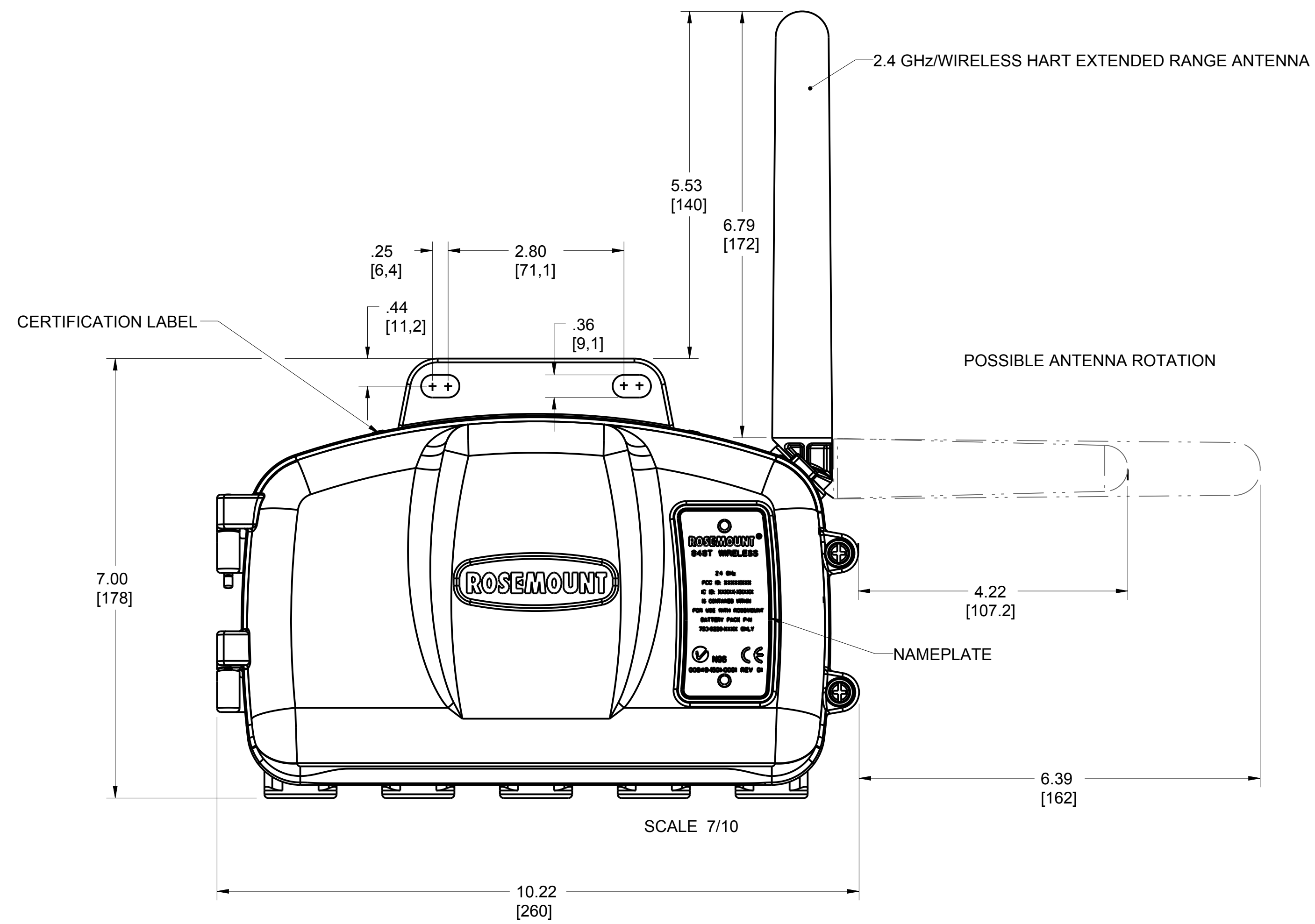
EMERSON

TITLE ROSEMOUNT 848T WIRELESS  
TYPE I DRAWING

DR. J. ARMSTRONG	8/2/17	DRAWING NO.	00848-1900
APP'D Z. MASSA	8/2/18		

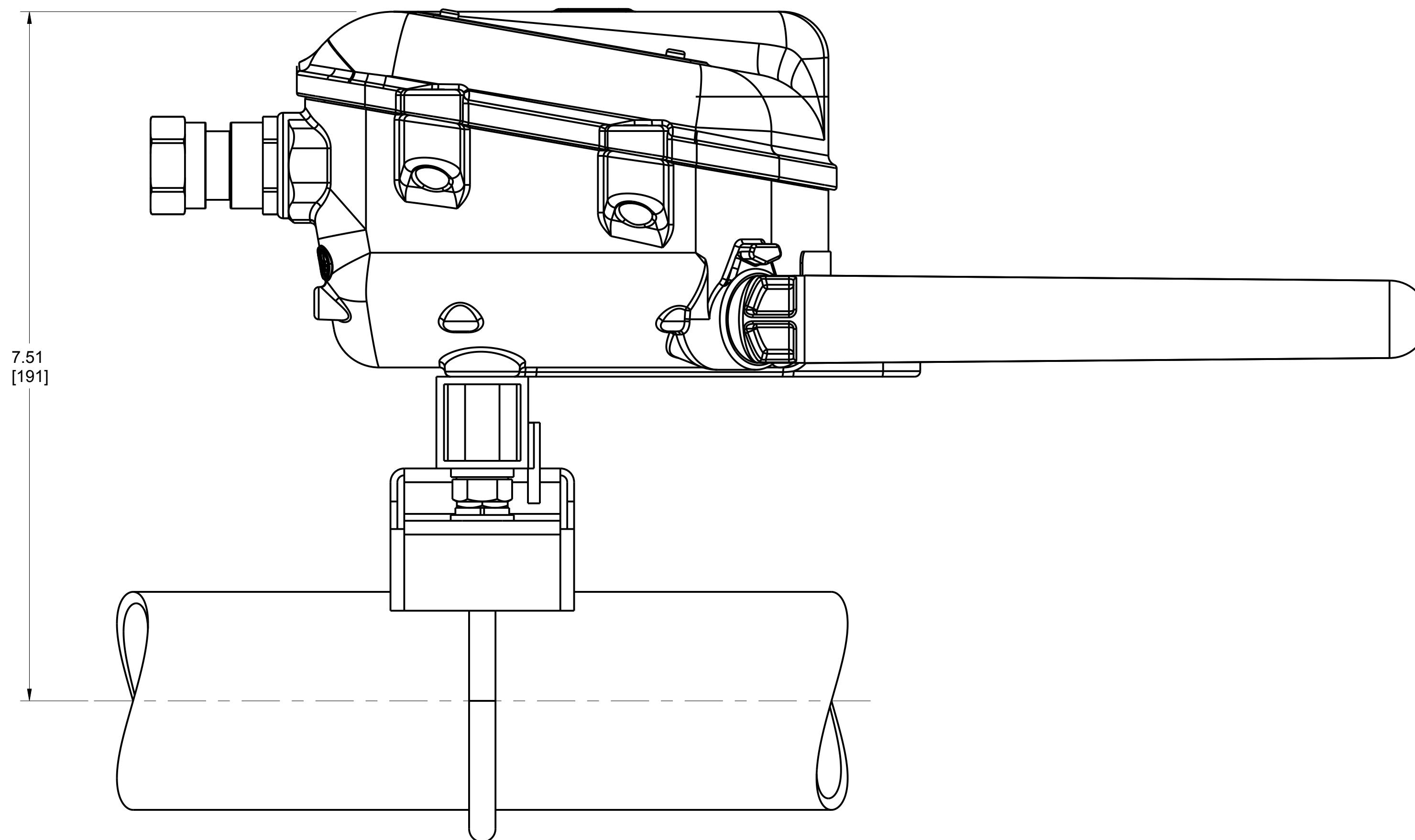
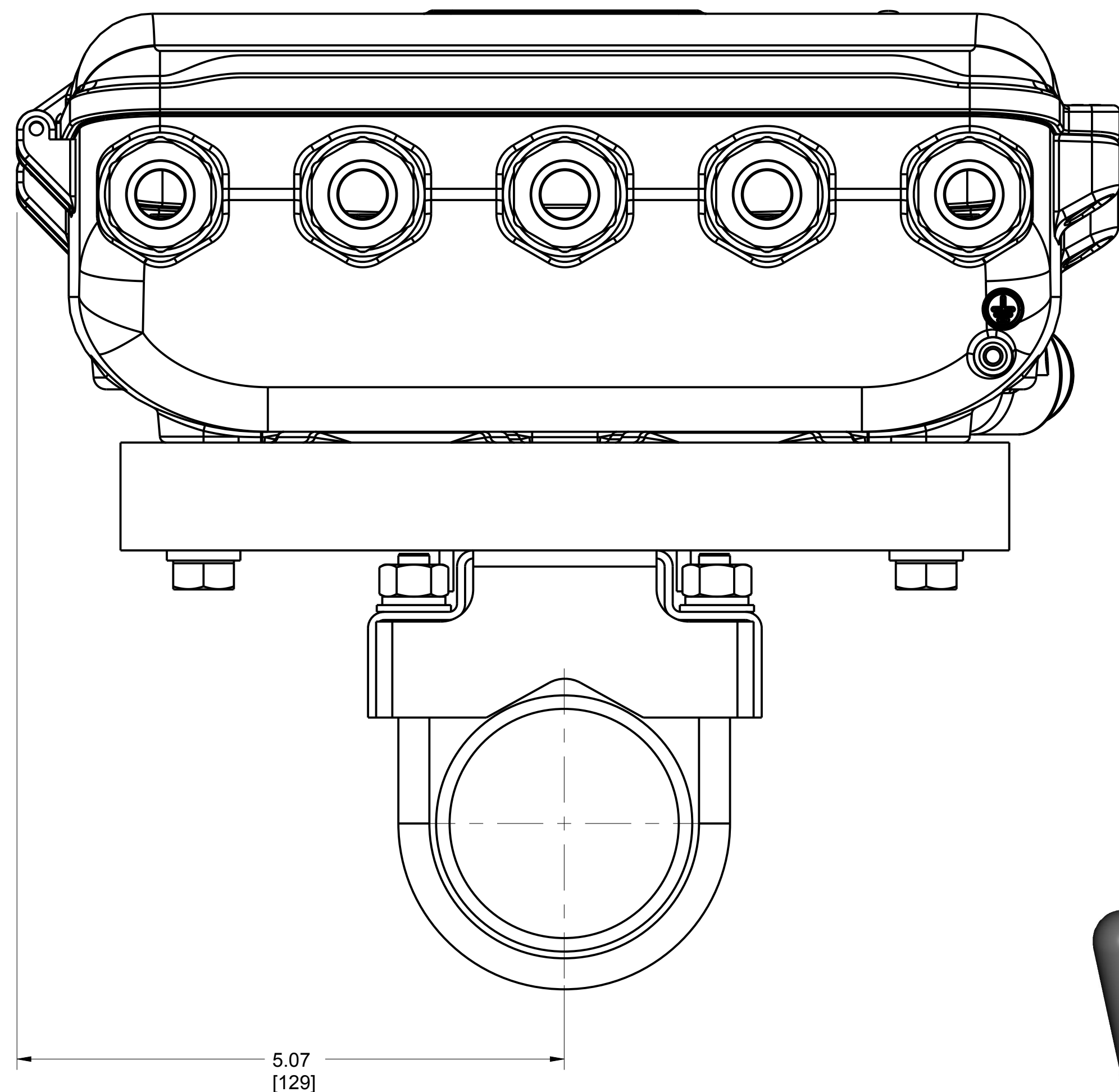
CAD MAINTAINED, (PROE) SHEET 1 OF 3

# ROSEMOUNT 848T HIGH DENSITY TEMPERATURE FAMILY WIRELESS HOUSING WITH PLUGGED HOLES



©2015 ROSEMOUNT INC. ROSEMOUNT INC. CERTIFIES THIS PRODUCT TO THE REQUIREMENTS OF THE STANDARD SPECIFICATIONS IN ACCORDANCE WITH ROSEMOUNT ENGINEERING SPECIFICATIONS. UNIT NOTES IN INCHES (mm). REFERENCE ROSEMOUNT PRODUCT SPECIFICATIONS FOR PRODUCT SPECIFICATIONS. CLICK HERE	3RD ANGLE	SIZE D	SCALE NTS
	TITLE <b>ROSEMOUNT 848T WIRELESS          TYPE I DRAWING</b>		
	DR. J. ARMSTRONG APP'D	8/2/17 8/2/18	DRAWING NO. 00848-1900

ROSEMOUNT 848T HIGH DENSITY TEMPERATURE FAMILY  
WIRLESS HOUSING MOUNTING CONFIGURATION



©2015 ROSEMOUNT INC.  
ROSEMOUNT INC. CERTIFIES  
THIS DRAWING IS MADE  
IN ACCORDANCE WITH  
ROSEMOUNT ENGINEERING  
SPECIFICATIONS.  
UNIT NOTES IN INCHES (mm).  
REFERENCE ROSEMOUNT  
PRODUCT SPECIFICATIONS.  
CLICK HERE

3RD ANGLE

EMERSON

TITLE ROSEMOUNT 848T WIRELESS  
TYPE I DRAWING

DR. J. ARMSTRONG	8/2/17	DRAWING NO.	
APPD Z. MASSA	8/2/18		00848-1900
CAD MAINTAINED, (PROE)			SHEET 3 OF 3

SIZE D SCALE NTS