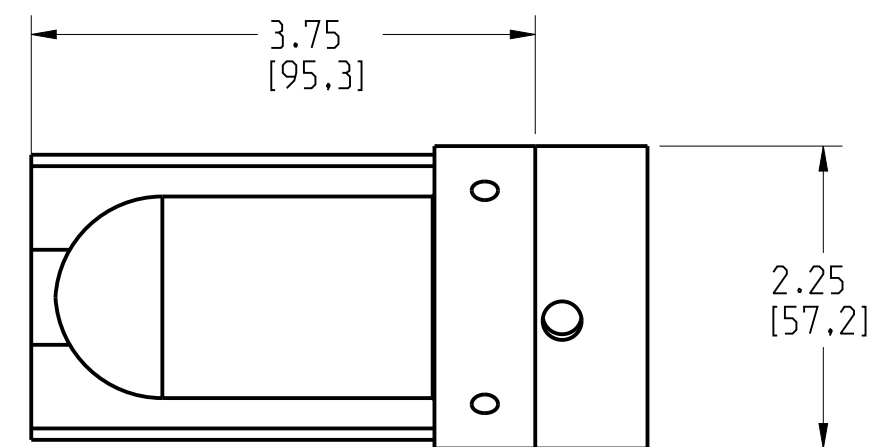


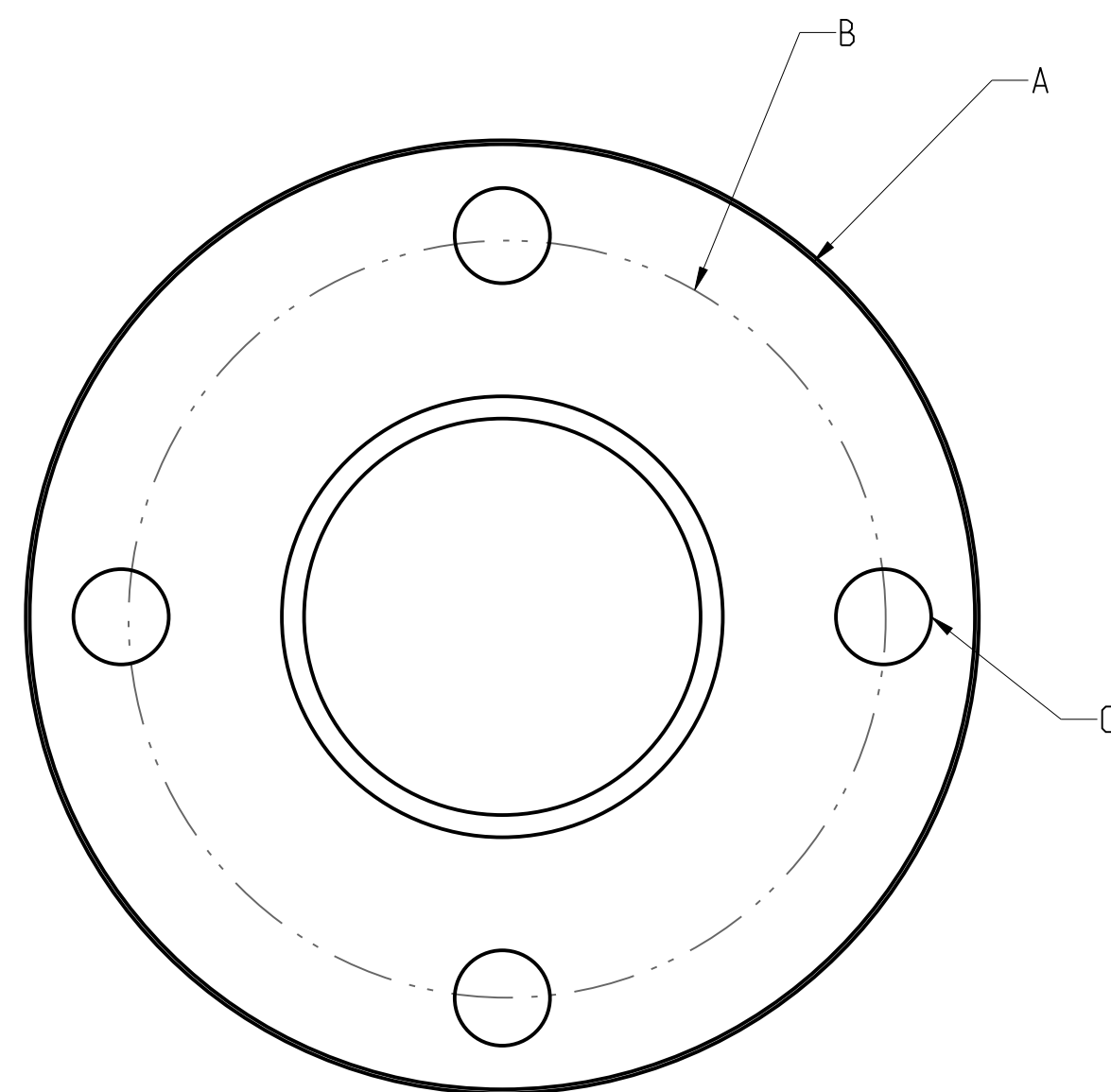
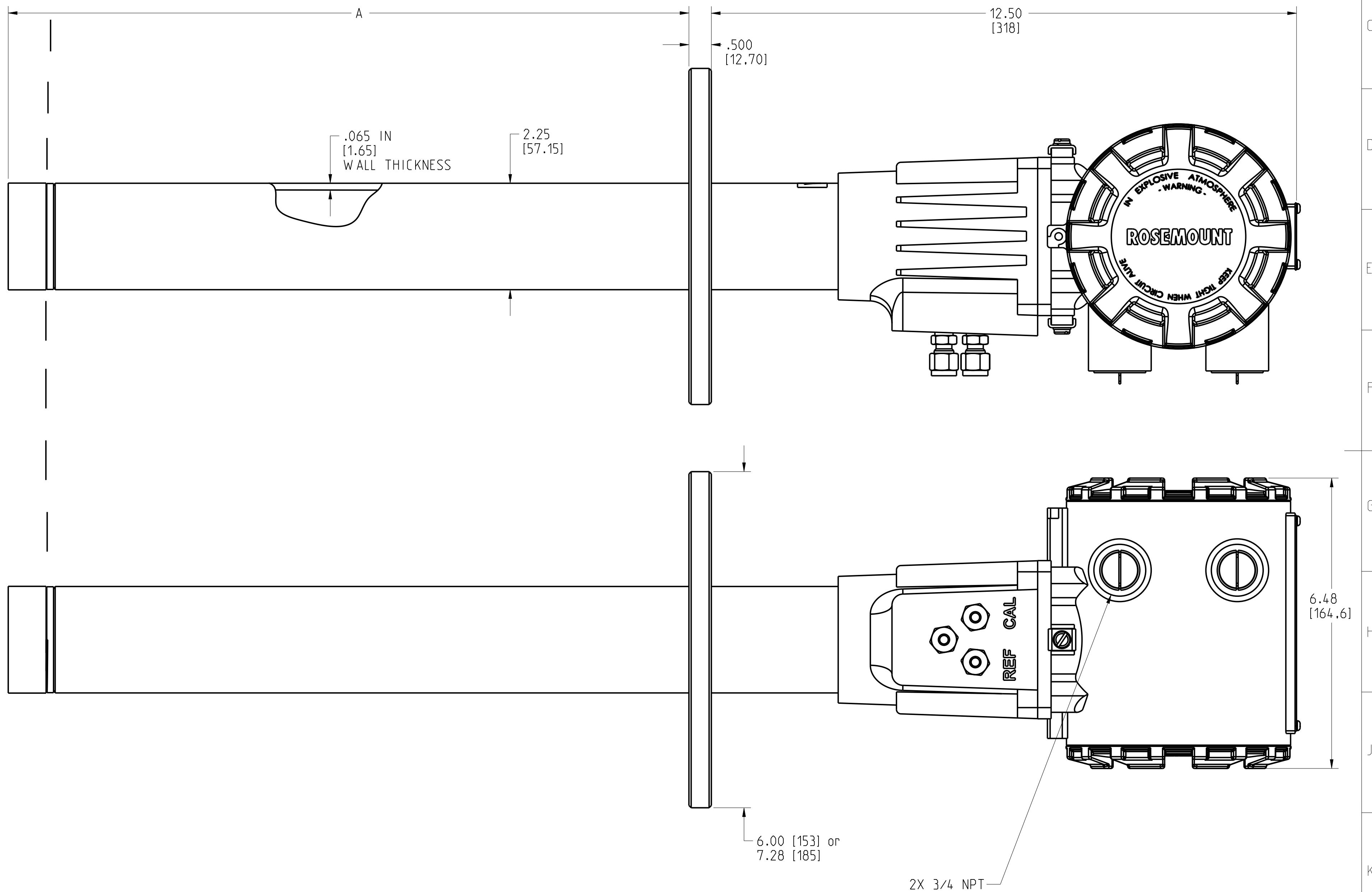
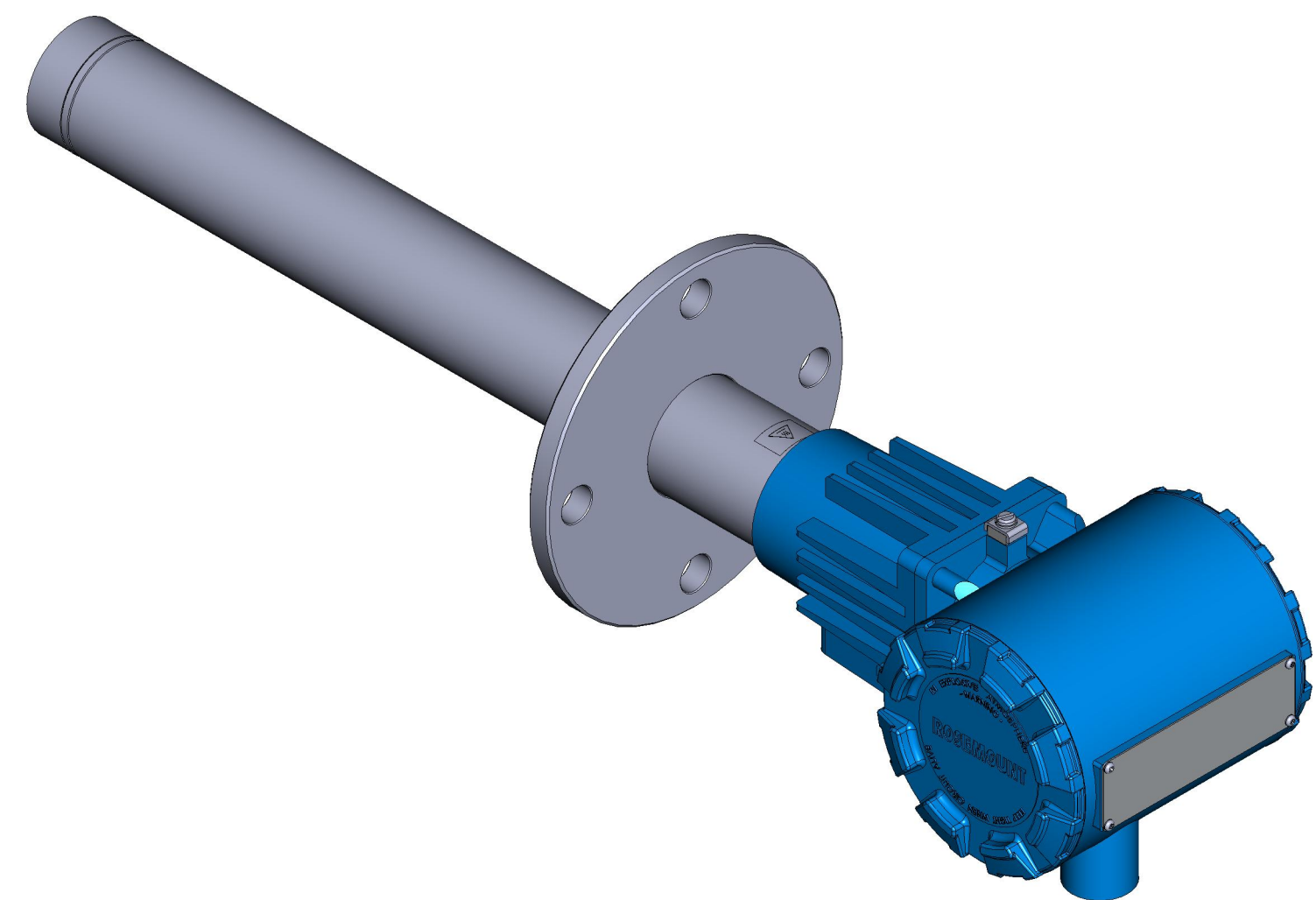
ROSEMOUNT MODEL OXT4000A OXYMETER IN SITU OXYGEN TRANSMITTER

REVISION TABLE			
REVISION	ECO NO.	APP'D	DATE
AA	12391	A. SMITH	8/22/19
DESCRIPTION			
NEW RELEASE			

CERAMIC DIFFUSER



FLANGE DIMENSIONS	
ANSI	DIN
18 in. [457mm]	16.10 in. [409mm]
3 ft. [.91m]	34.14 in. [867.2 mm]
6 ft. [1.83m]	70.14 in. [1782 mm]
9 ft. [2.74m]	106.1 in. [2655 mm]
12 ft. [3.66m]	142.1 in. [3569 mm]



FLANGE	ANSI	DIN
A	6.0 in. [153mm]	7.28 [185]
B	4.75 IN. [5.71]	5.71 [145]
C	0.75 IN. [20]	0.71 [18]

NOTE:
All dimensions are in inches [mm]

©2015 ROSEMOUNT, INC. ALL RIGHTS RESERVED. THIS DRAWING IS THE PROPERTY OF ROSEMOUNT ENGINEERING SPECIFICATIONS. UNIT NOTES IN INCHES [mm].

EMERSON

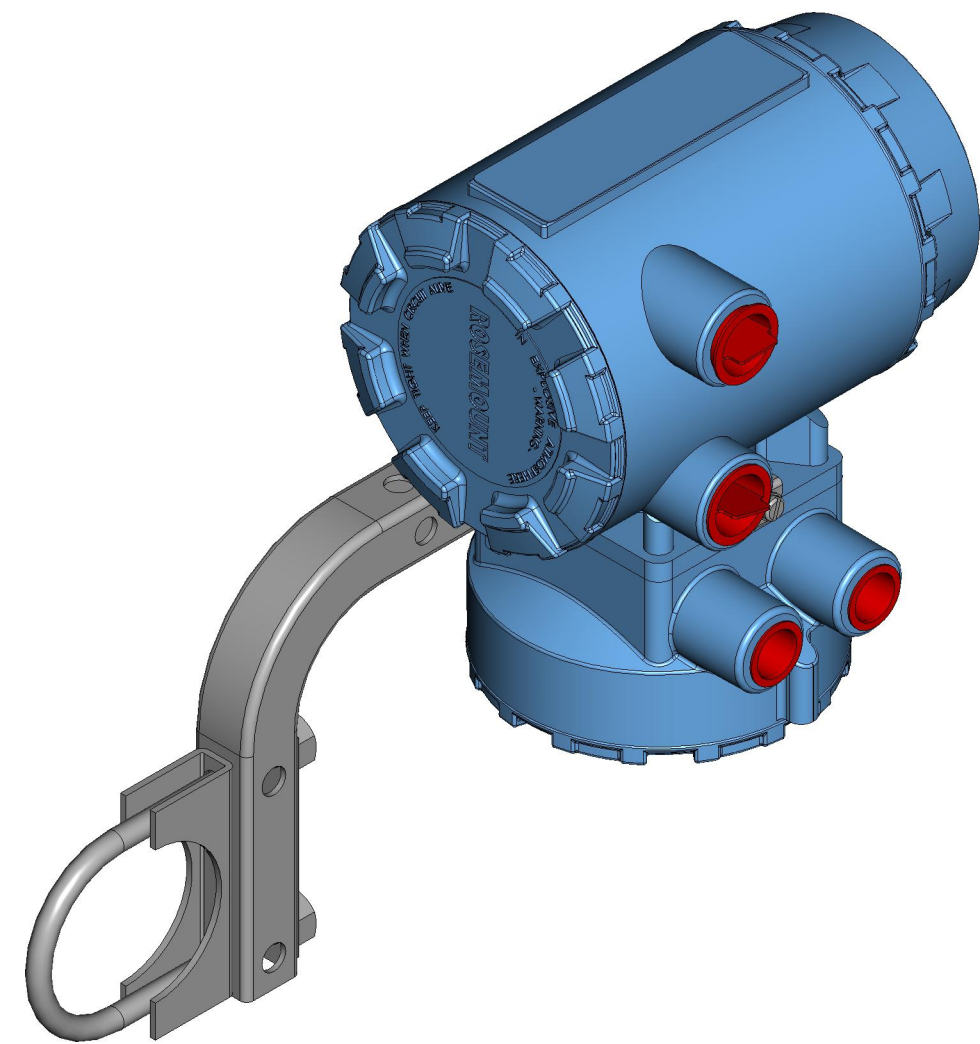
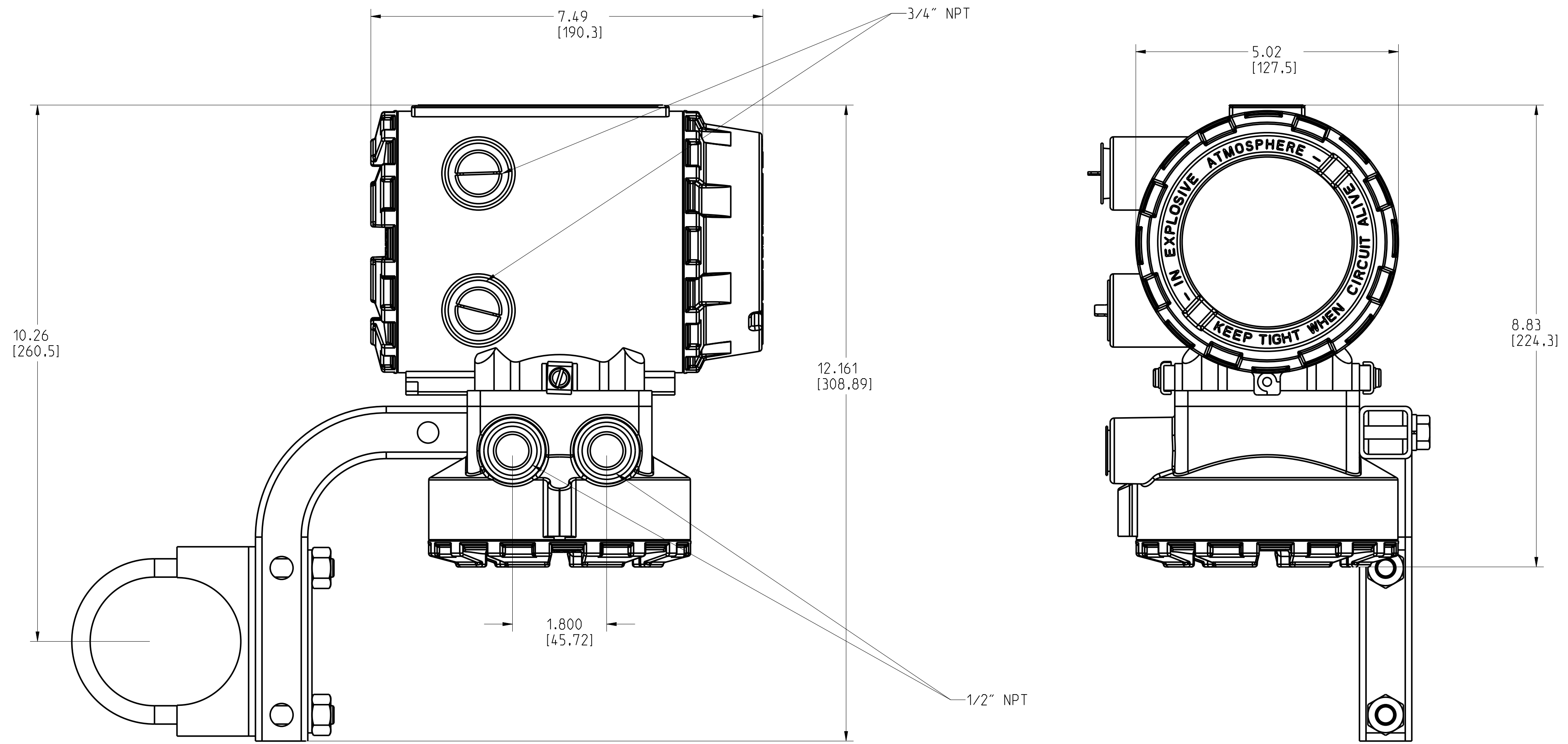
TITLE ROSEMOUNT OXYGEN TRANS. TYPE I DRAWING

DR. J. ARMSTRONG 8/22/19 DRAWING NO. OXT4A-7000

APP'D A. SMITH 8/22/19

CAD MAINTAINED. (PRO/E) SHEET 1 OF 4

ROSEMOUNT MODEL OXT4000 OXYMITTER IN SITU OXYGEN TRANSMITTER



©2015 ROSEMOUNT, INC.
 ROSEMOUNT AND LOGO ARE TRADEMARKS OF ROSEMOUNT ENGINEERING SPECIFICATIONS.
 UNIT NOTES IN INCHES (mm).

REFERENCE ROSEMOUNT PRODUCT SPECIFICATIONS. CLICK HERE

3RD ANGLE

SIZE D SCALE NTS

EMERSON

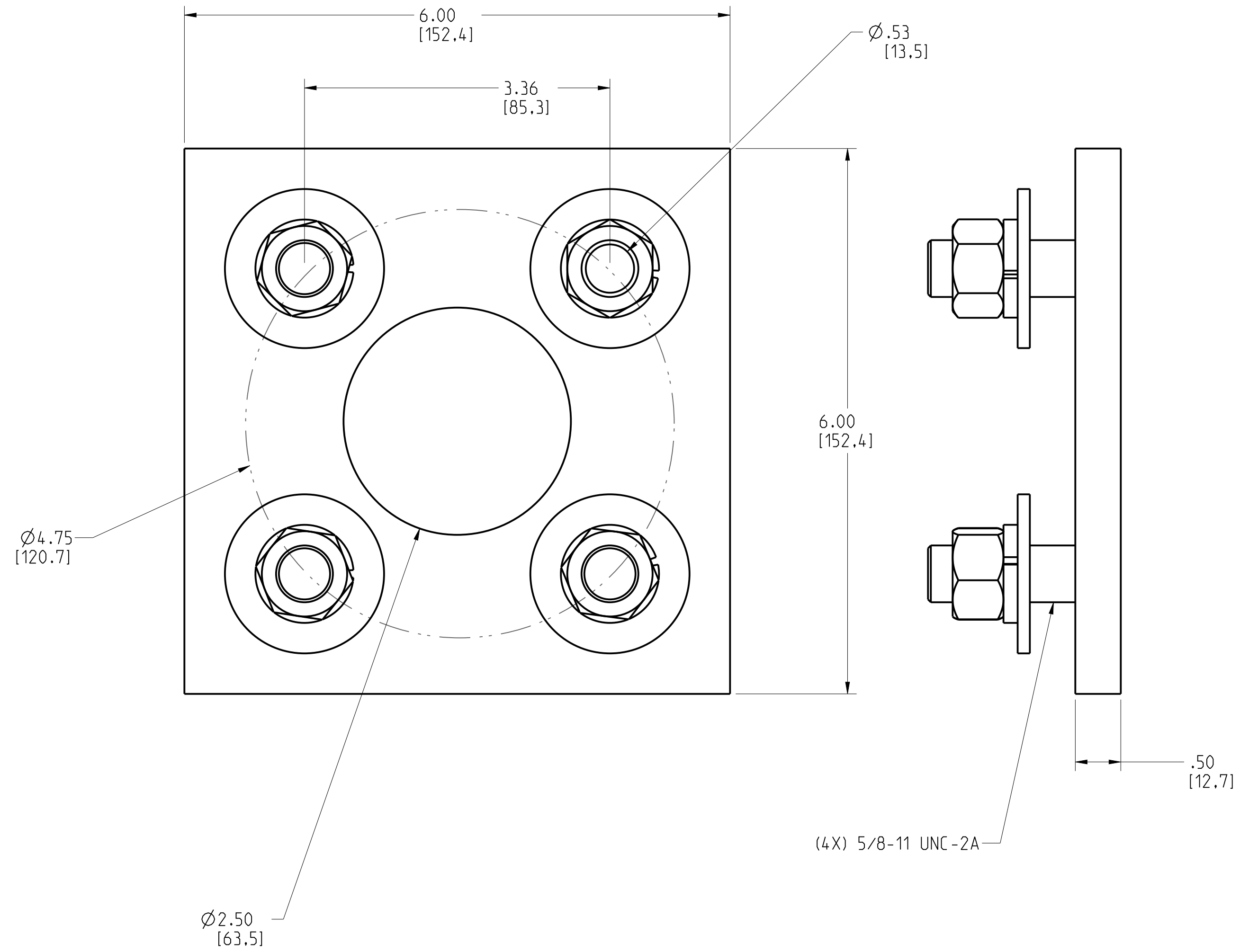
TITLE ROSEMOUNT OXYGEN TRANS. TYPE I DRAWING

DR. J. ARMSTRONG	8/22/19	DRAWING NO.	OXT4A-7000
APP'D A. SMITH	8/22/19		

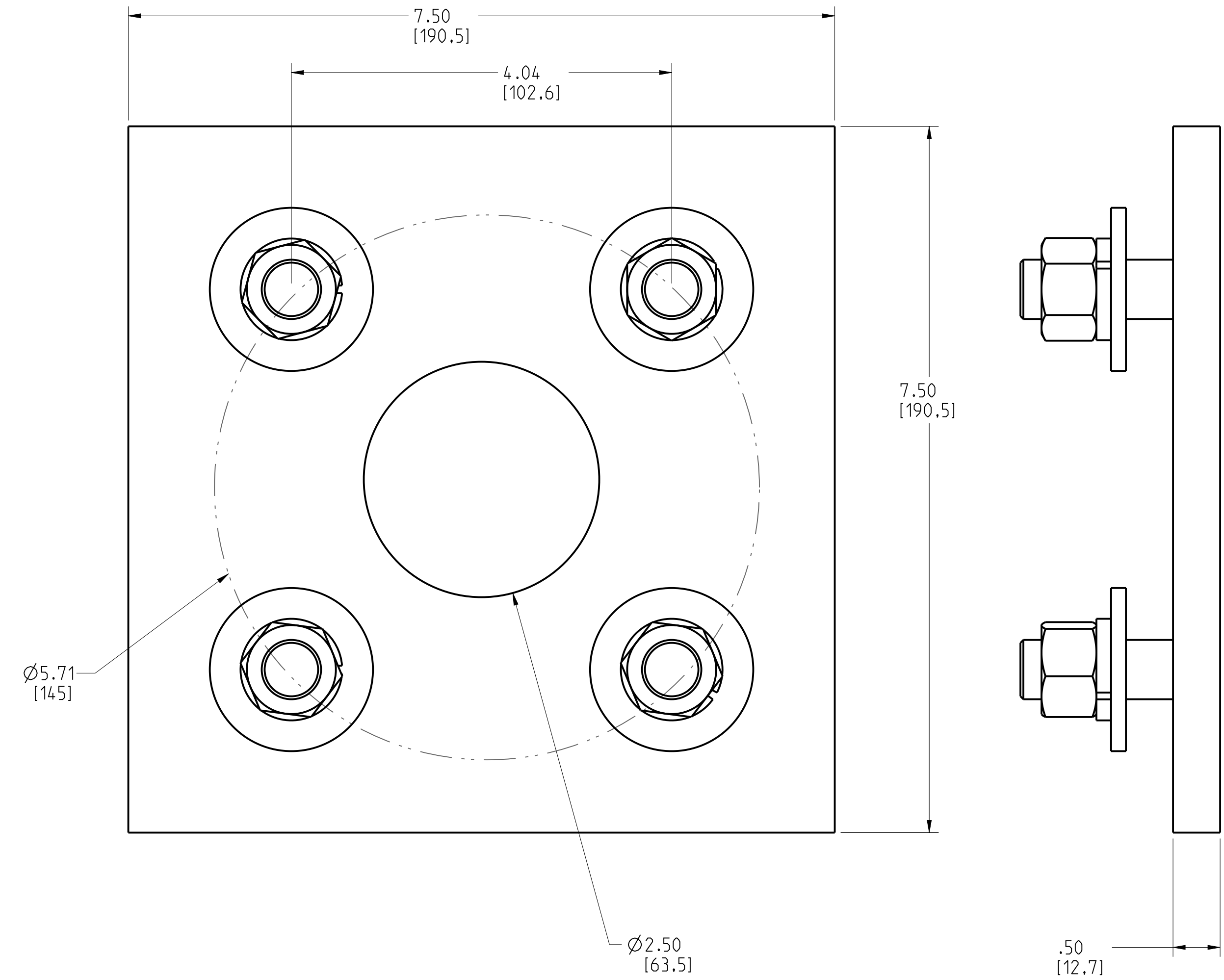
CAD MAINTAINED. (PRO/EI) SHEET 2 OF 4

ROSEMOUNT MODEL OXT4000 OXYMITTER IN SITU OXYGEN TRANSMITTER

2" 150# WELD PLATE



DIN WELD PLATE



©2015 ROSEMOUNT, INC.
ROSEMOUNT INC. CERTIFIES
THIS DRAWING ACCORDING TO
THESE DRAWING STANDARDS IN
ACCORDANCE WITH
ROSEMOUNT ENGINEERING
SPECIFICATIONS.
UNIT NOTES IN INCHES (mm).

REFERENCE ROSEMOUNT
PRODUCT SPECIFICATIONS FOR
PRODUCT SPECIFICATIONS.
CLICK HERE

EMERSON

TITLE ROSEMOUNT OXYGEN TRANS.
TYPE I DRAWING

DR. J. ARMSTRONG 8/22/19 DRAWING NO.
APP'D A. SMITH 8/22/19 OXT4A-7000

CAD MAINTAINED (PRO/E) SHEET 3 OF 4

3RD ANGLE

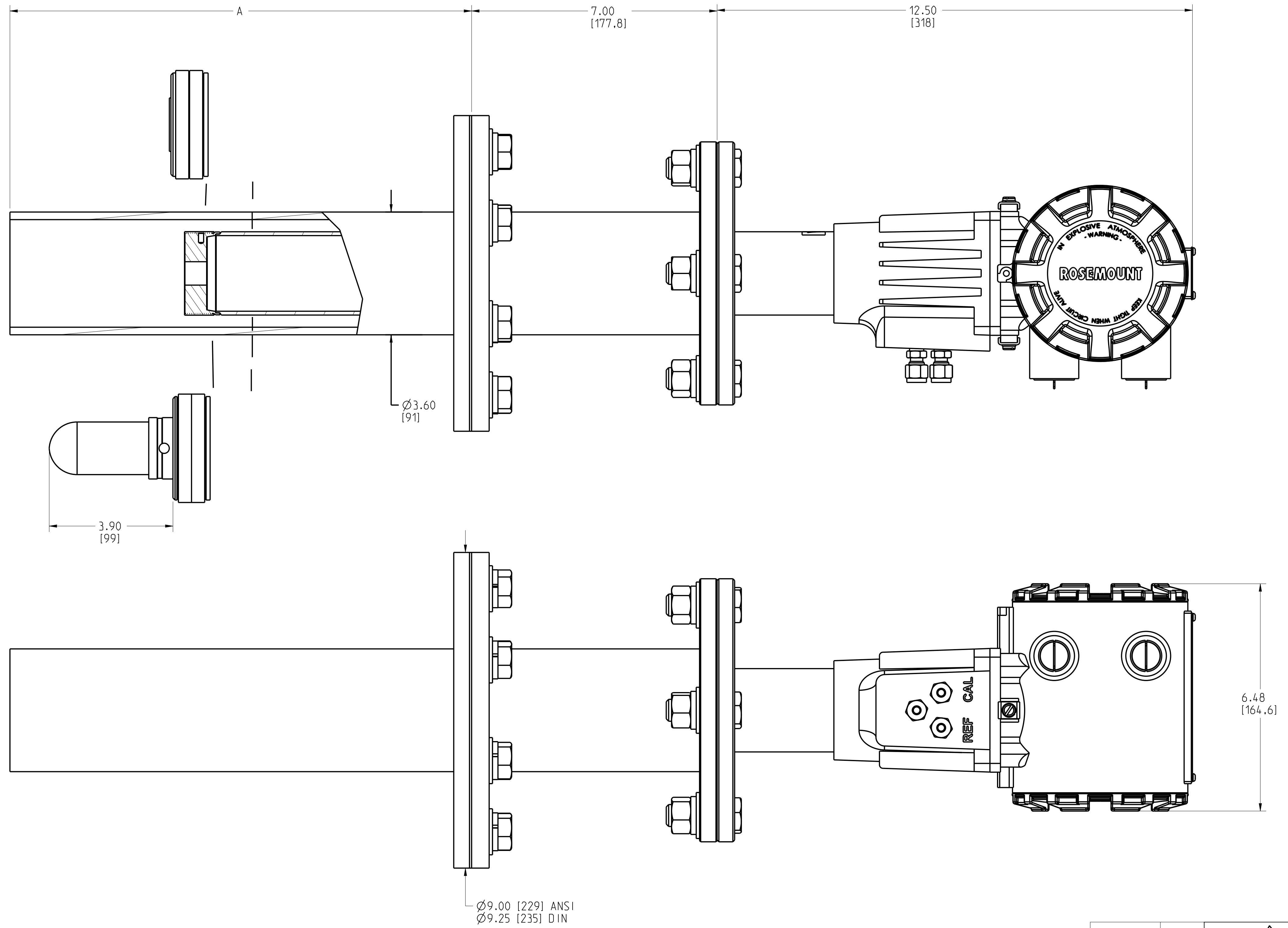
SIZE D

SCALE NTS

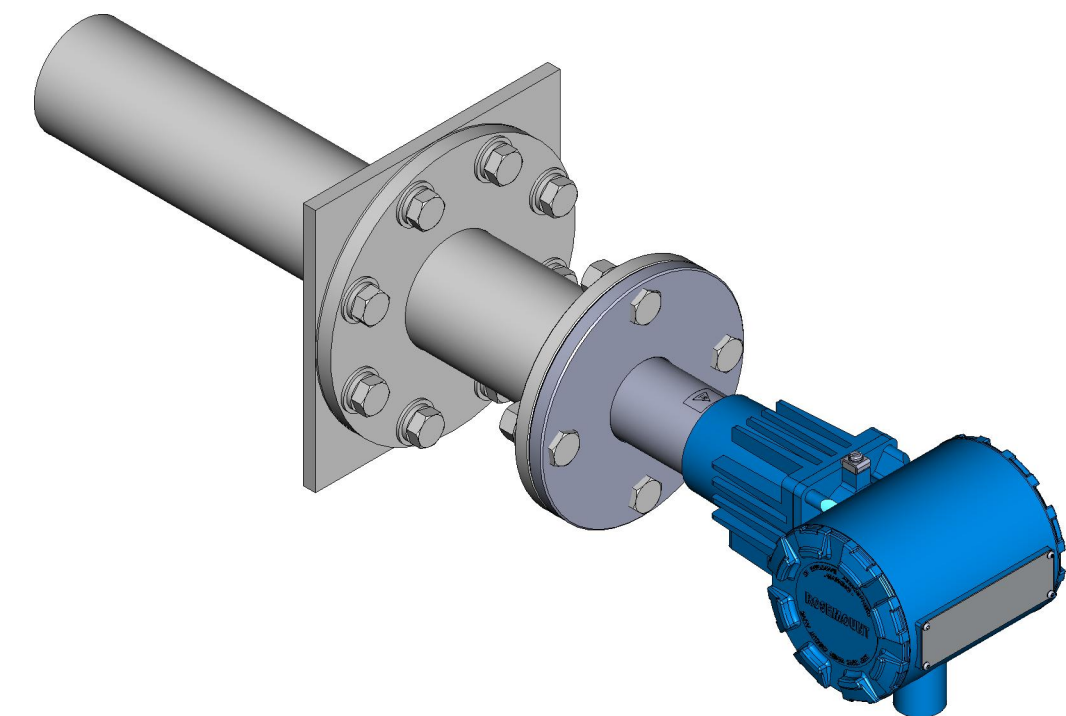
ROSEMOUNT MODEL OXT4000 OXYMITTER IN SITU OXYGEN TRANSMITTER WITH DIN ABRASIVE SHIELD AND FLAME ARRESTOR

SNUBBER WITH DUST SEAL

INSTALLATION LENGTH	
PROBE	DIM. A
18 in. [457mm]	13.0 in. [330mm]
3 ft. [.91m]	31.0 in. [787 mm]
6 ft. [1.83m]	67.0 in. [1702 mm]
9 ft. [2.74m]	103 in. [2616 mm]
12 ft. [3.66m]	139 in. [3531 mm]



CERAMIC DUST SEAL DIFFUSER



©2015 ROSEMOUNT, INC. ALL RIGHTS RESERVED. THIS DRAWING IS THE PROPERTY OF ROSEMOUNT ENGINEERING SPECIFICATIONS. UNIT NOTES IN INCHES (mm).

REFERENCE ROSEMOUNT PRODUCT SPECIFICATIONS. CLICK HERE

EMERSON

TITLE ROSEMOUNT OXYGEN TRANS. TYPE I DRAWING

DR. J. ARMSTRONG 8/22/19 DRAWING NO. OXT4A-7000

APP'D A. SMITH 8/22/19

CAD MAINTAINED (PRO/EI) SHEET 4 OF 4