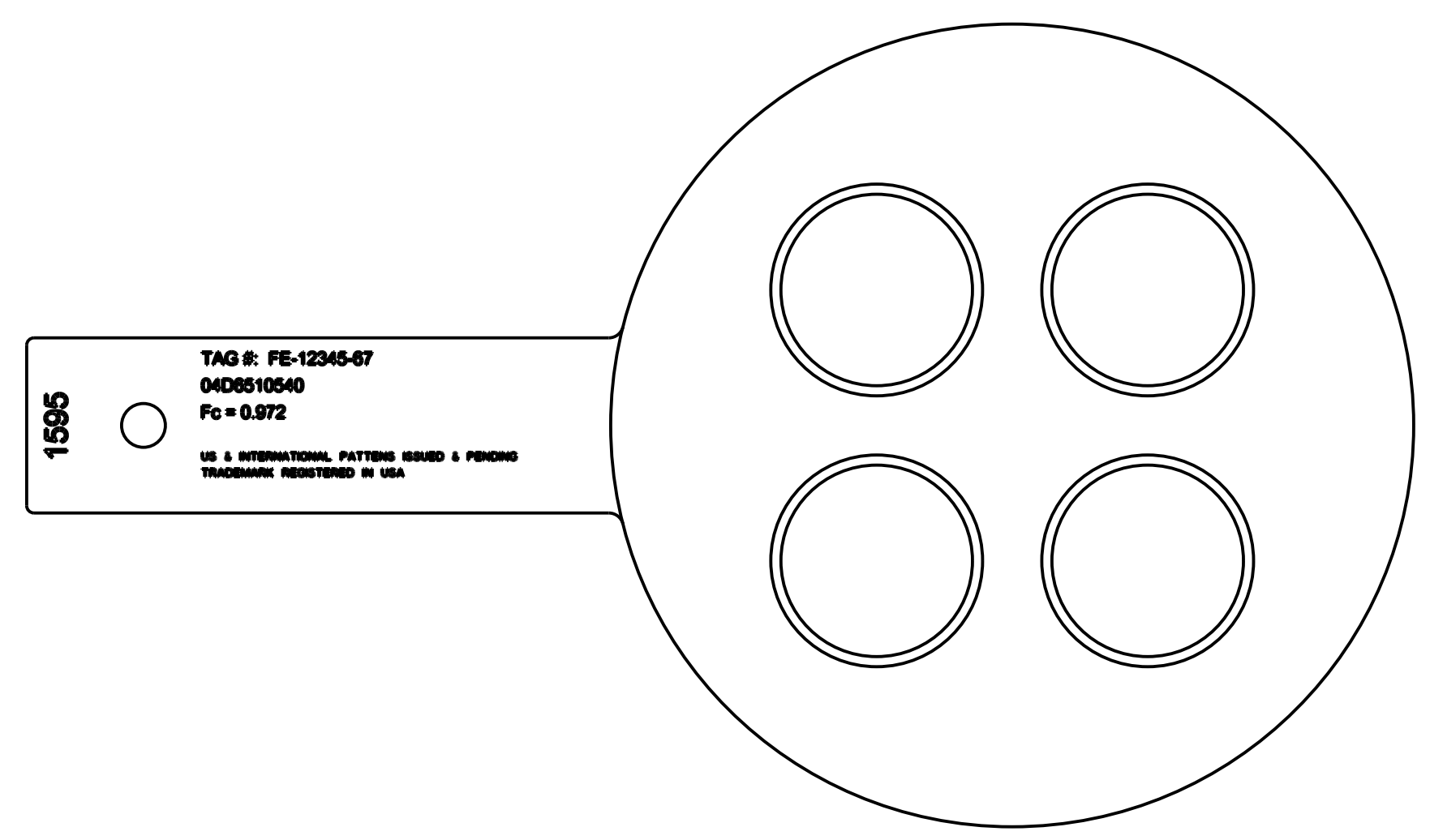
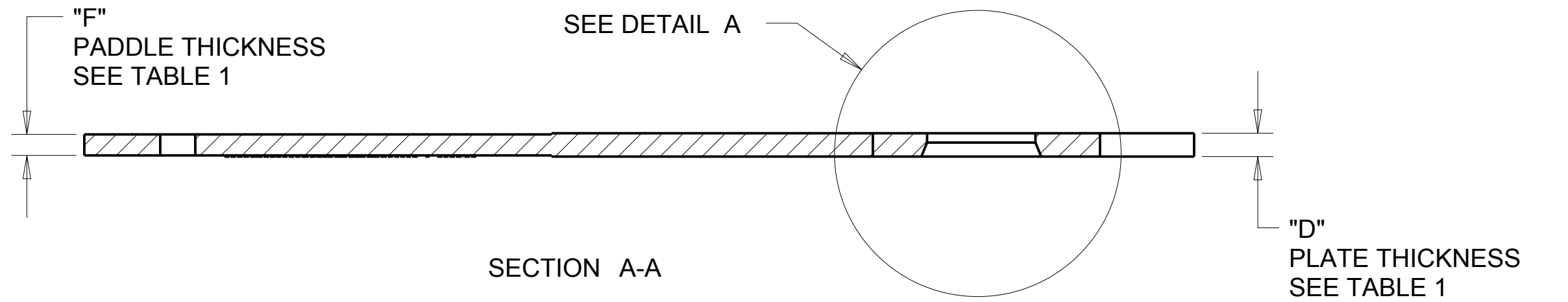
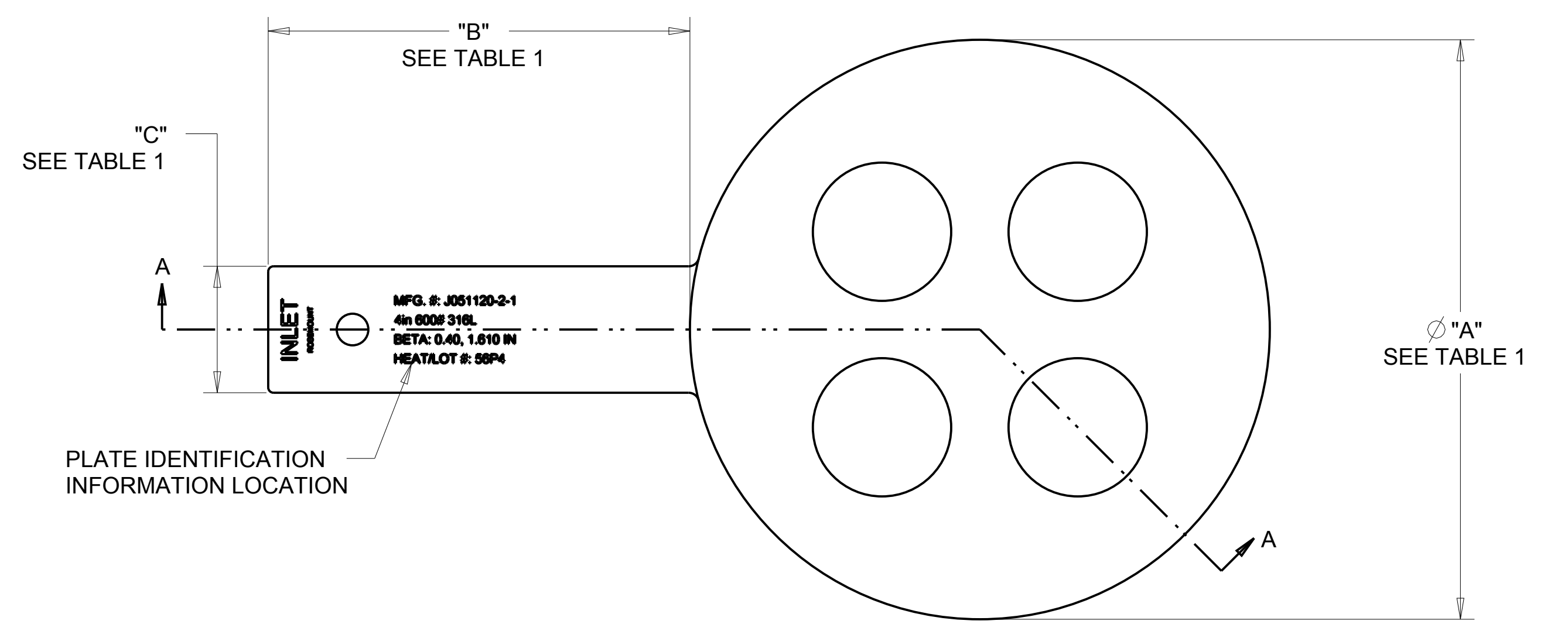
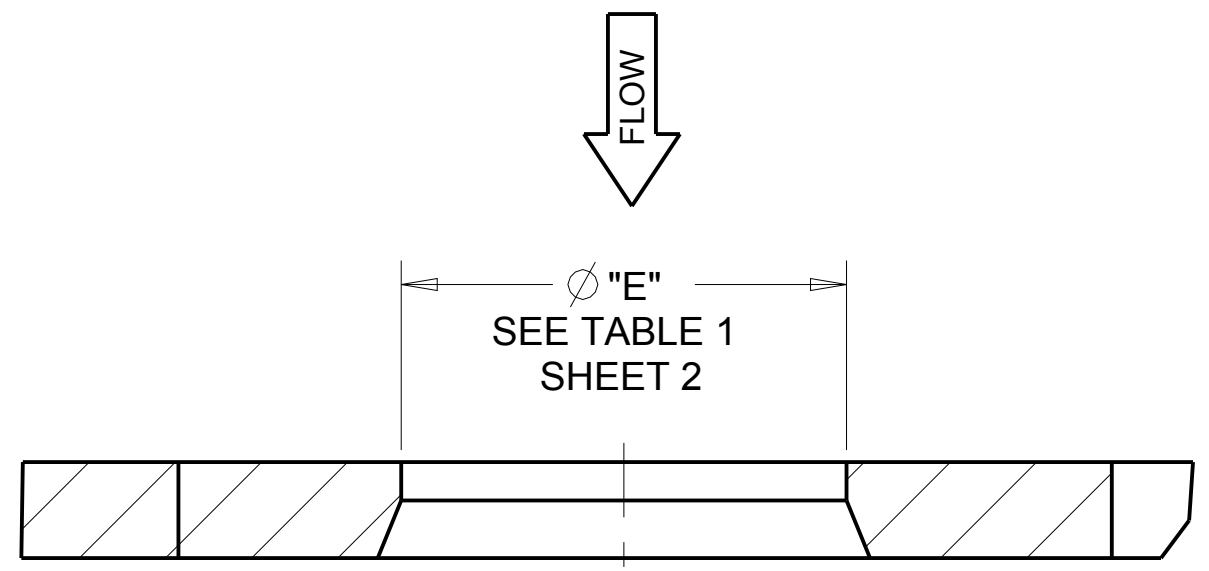


REVISION TABLE			
REVISION	ECO NO.	APP'D	DATE
AF	DSH1052194	JS	7/9/14
DESCRIPTION			
ADDED 0.5 BETA			

NOTES:

- ROSEMOUNT INC. CERTIFIES THIS DRAWING IS IN ACCORDANCE WITH ROSEMOUNT ENGINEERING SPECIFICATIONS AND ACCURATELY REPRESENTS THE EQUIPMENT FURNISHED.
- FOR ACTUAL RECOMMENDED LOCATION AND ORIENTATION OF ORIFICE PLATES REFER TO INSTALLATION MANUAL 00809-0100-4828.
- FOR MODEL SELECTIONS AND OPTIONS REFER TO ROSEMOUNT PRODUCT DATA SHEET 00813-0100-4828.
- MODEL 1595 MAXIMUM TEMPERATURE IS 1200 DEGREES FAHRENHEIT FOR 316 AND ALLOY C-276, 900 DEGREES FAHRENHEIT FOR ALLOY 400. OBSERVE GASKET MATERIAL LIMITATIONS.
- AVAILABLE MATERIALS: 316 STAINLESS STEEL, ALLOY 400 AND ALLOY C-276.



LINE SIZE	PLATE DIAMETER ϕ "A"						PADDLE		PLATE THICKNESS "D"		PADDLE THICKNESS "F"		DIAMETER ϕ "E"				
	150#	300#	600#	900#	1500#	2500#	B	C	STD. MAT'L	MONEL @ HI-TEMP	STD. MAT'L	MONEL @ HI-TEMP	BETA 0.20	BETA 0.40	BETA 0.50	BETA 0.60	BETA 0.65
2"	4.125	4.375	5.625		5.750	4.00	1.00	0.125				0.207	0.413	0.517	0.62	N/A	
3"	5.375	5.875	6.625	6.875	7.750			0.125				0.307	0.614	0.767			0.997
4"	6.875	7.125	7.625	8.125	8.250			0.125				0.403	0.805	1.007			1.309
6"	8.750	9.875	10.500	11.375	11.125			0.125				0.607	1.213	1.516			1.971
8"	11.000	12.125	12.625	14.125	13.875			0.125				0.798	1.596	1.995			2.594
10"	13.375	14.250	15.750	17.125	17.125			0.125				1.002	2.004	2.505			3.257
12"	16.125	16.625	18.000	19.625	20.500	6.00	1.50	0.250				1.200	2.400	3.000			3.900
14"	17.750	19.125	19.375					0.250				1.312	2.625	3.281			4.265
16"	20.250	21.250	22.250					0.250				1.500	3.000	3.750			4.875
18"	21.500	23.375	24.000					0.250				1.688	3.375	4.219			5.485
20"	23.750	25.625	26.750					0.250				1.881	3.762	4.703			6.114
24"	28.125	30.375	31.000					0.250				2.262	4.525	5.656			7.353
26"	30.374						8.00	0.5				2.525	5.050	6.312			8.206
28"	32.624							0.625		0.563		2.725	5.450	6.812			8.856
30"	34.625							0.750		0.688		2.925	5.850	7.312			9.506
32"	36.875							0.750		0.688	0.813	3.125	6.250	7.812			10.156
36"	41.125							0.875		0.813	0.938	3.525	7.050	8.812			11.456
40"	43.750							1.000		0.813	0.938	3.925	7.850	9.812			12.756
42"	45.750	47.875					1.000		1.125	0.938	1.063	4.125	8.250	10.312			13.406
48"	52.000	54.625					1.125		1.063	1.313	1.313	4.725	9.450	11.812			15.356
56"	60.625	63.375					1.250		1.188	1.438	1.438	5.525	11.050	13.812			17.956
60"	64.625	68.125					1.500		1.188	1.438	1.438	5.925	11.850	14.812			19.256
72"	80.625	N/A						1.500	1.750	1.438	1.688	7.100	14.200	17.750			23.075

UNLESS OTHERWISE SPECIFIED, DIMENSIONS AND DECIMALS SHALL BE IN INCHES AND DECIMALS THEREIN. INFORMATION IS CONTAINED HEREIN AND MUST BE HANDLED ACCORDINGLY TO EMERSON'S POLICY.	CUSTOMER	3RD ANGLE			SIZE	SCALE	REV
	CUSTOMER DWG NO.	EMERSON			D	0.750	AF
	P.O. No.	ROSEMOUNT			TITLE DIMENSIONAL DRAWING, MODEL 1595 ANSI		
	S.O. No.	PADDLE STYLE CONDITIONING ORIFICE PLATE			DRAWING NO. 01595-1001		
PROJECT NAME	DR. J. RUMSEY	01/03/12	APP'D. VERHAAGEN		SHEET 1 OF 1		
DO NOT SCALE PRINT	CAD MAINTAINED, (PROE)	PRODUCT CODE	DOC TYPE				

DRAWING NO. 01595-1001