

4

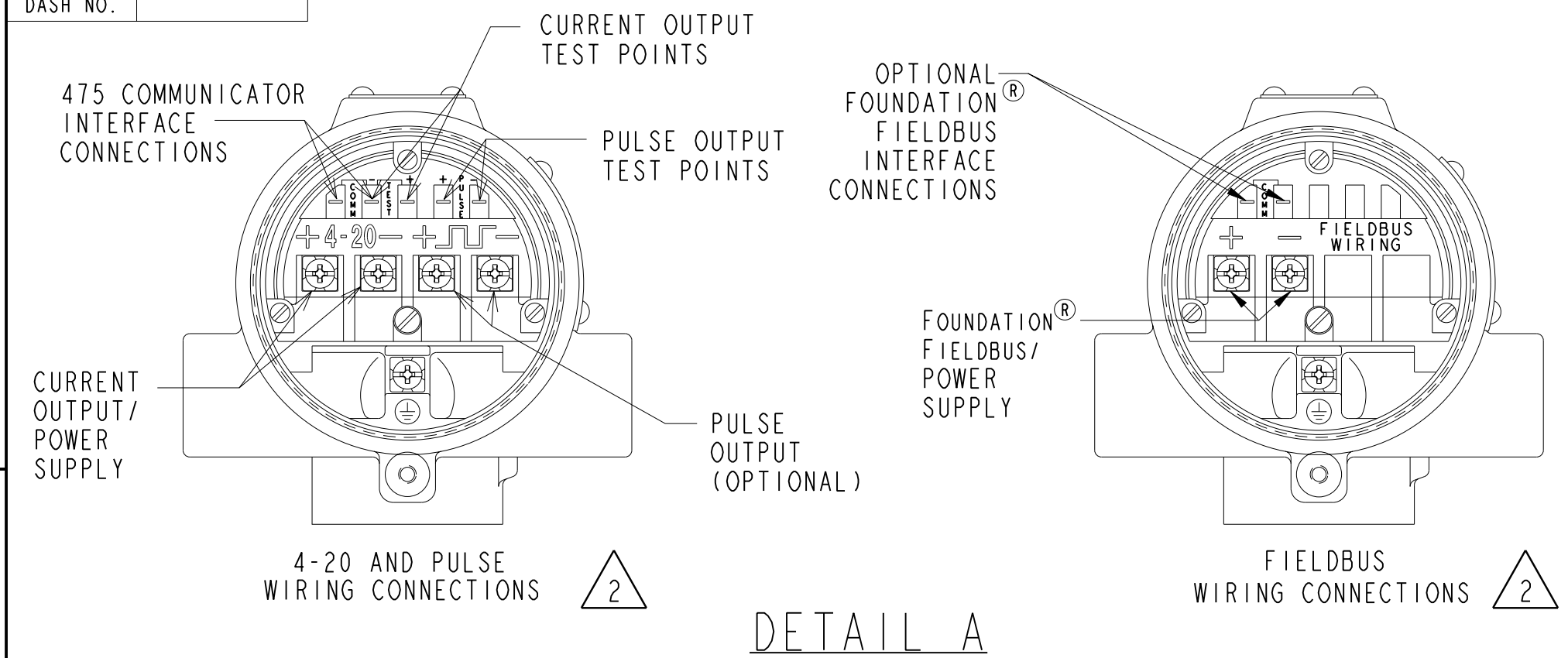
3

2

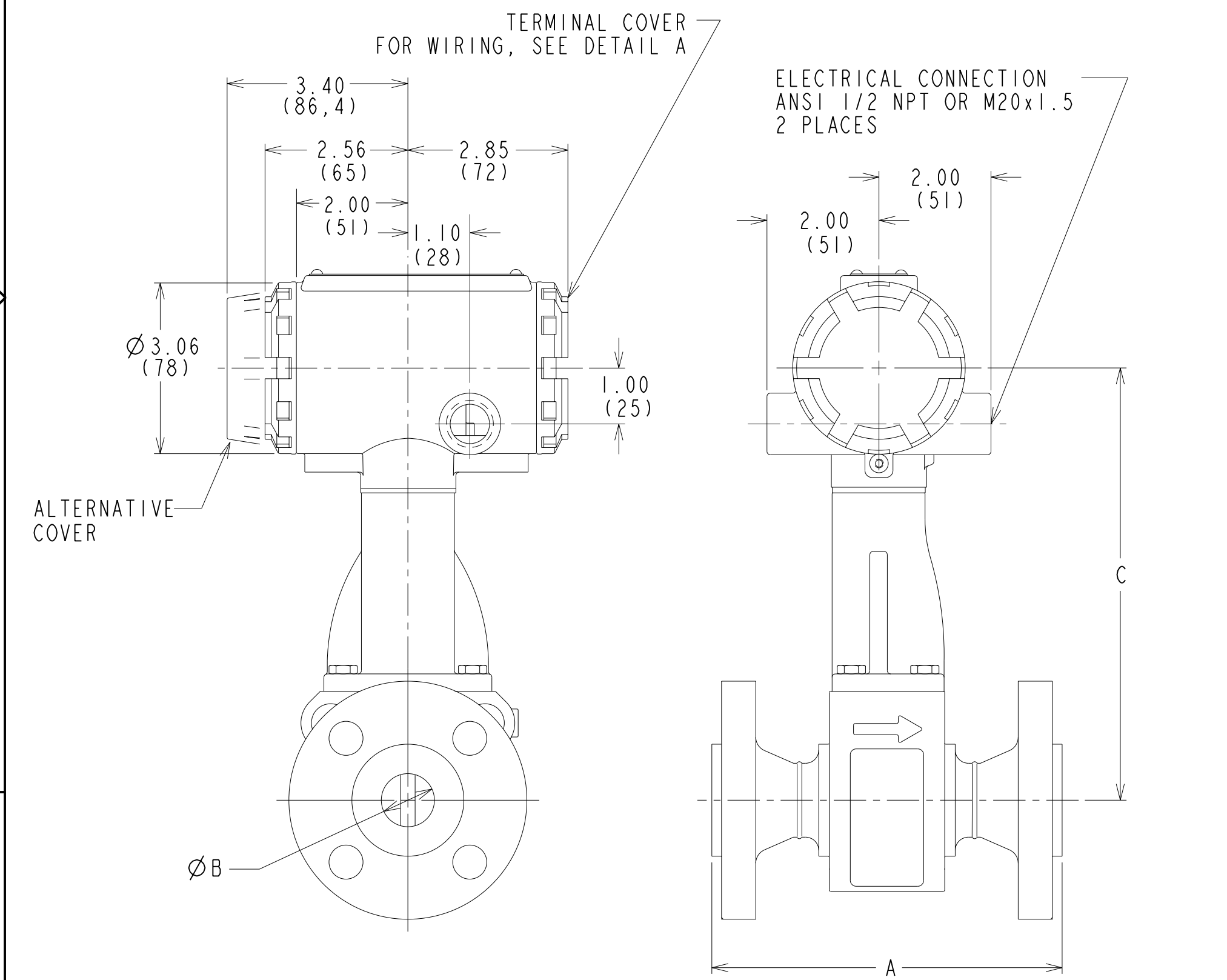
1

TABULATION	
DASH NO.	

REVISIONS				
REV	DESCRIPTION	ECO NO.	APP'D	DATE
BJ	UPDATE WAFER LAY LENGTH TOLERANCE TO +/- .16 [4.1]	RTC1055895	R.B.	1/17/13



DETAIL A



NOMINAL SIZE	A ±.16 [4.1] INCH [mm]	A ±.16 [4.1] ANSI RTJ INCH [mm]	ØB ±.03 [0.8] INCH [mm]	C ±.20 [5.1] INCH [mm]	WEIGHT LB (kg)
	.5 IN METER DN15	150 LB 6.8 [173]	--	.54 [13.7]	7.6 [193]
	300 LB 7.2 [183]	7.6 [193]	.54 [13.7]	7.6 [193]	10.4 [4.7]
	600 LB 7.7 [196]	7.6 [193]	.54 [13.7]	7.6 [193]	10.8 [4.9]
	900 LB 8.3 [211]	8.3 [211]	.54 [13.7]	7.6 [193]	15.6 [7.1]
	PN16/40 6.1 [155]	--	.54 [13.7]	7.6 [193]	10.4 [4.7]
	PN100 6.6 [168]	--	.54 [13.7]	7.6 [193]	12.4 [5.6]
	PN160 6.6 [168]	--	.54 [13.7]	7.6 [193]	12.4 [5.6]
	JIS 10K/20K 6.3 [160]	--	.54 [13.7]	7.6 [193]	10.2 [4.6]
	JIS 40K 7.3 [185]	--	.54 [13.7]	7.6 [193]	13.7 [6.2]
1 IN METER DN25	150 LB 7.5 [191]	8.0 [203]	.95 [24.1]	7.7 [196]	12.3 [5.6]
	300 LB 8.0 [203]	8.5 [216]	.95 [24.1]	7.7 [196]	15.0 [6.8]
	600 LB 8.5 [216]	8.5 [216]	.95 [24.1]	7.7 [196]	15.8 [7.2]
	900 LB 9.4 [239]	9.4 [239]	.95 [24.1]	7.7 [196]	24.4 [11.1]
	1500 LB 9.4 [238]	9.4 [239]	.95 [24.1]	7.7 [196]	24.4 [11.1]
	PN16/40 6.2 [157]	--	.95 [24.1]	7.7 [196]	13.6 [6.2]
	PN100 7.7 [196]	--	.95 [24.1]	7.7 [196]	19.6 [8.9]
	PN160 7.7 [196]	--	.95 [24.1]	7.7 [196]	19.6 [8.9]
	PN250 7.8 [198]	--	.95 [24.1]	7.7 [196]	23.7 [10.7]
	JIS 10K/20K 6.5 [165]	--	.95 [24.1]	7.7 [196]	14.0 [6.3]
	JIS 40K 7.8 [198]	--	.95 [24.1]	7.7 [196]	17.7 [7.9]
1.5 IN METER DN40	150 LB 8.2 [208]	8.7 [221]	1.49 [37.8]	8.1 [206]	17.6 [8.0]
	300 LB 8.7 [221]	9.2 [234]	1.49 [37.8]	8.1 [206]	23.0 [10.5]
	600 LB 9.3 [236]	9.3 [236]	1.49 [37.8]	8.1 [206]	25.5 [11.6]
	900 LB 10.3 [262]	10.3 [262]	1.49 [37.8]	8.1 [206]	36.6 [16.6]
	1500 LB 10.3 [262]	10.3 [262]	1.49 [37.8]	8.1 [206]	36.6 [16.6]
	PN16/40 6.9 [175]	--	1.49 [37.8]	8.1 [206]	19.4 [8.8]
	PN100 8.2 [208]	--	1.49 [37.8]	8.1 [206]	28.0 [12.7]
	PN160 8.4 [213]	--	1.49 [37.8]	8.1 [206]	29.5 [13.4]
	PN250 9.6 [244]	--	1.49 [37.8]	8.1 [206]	39.2 [17.8]
	JIS 10K/20K 7.3 [185]	--	1.49 [37.8]	8.1 [206]	18.6 [8.4]
	JIS 40K 8.4 [213]	--	1.49 [37.8]	8.1 [206]	25.5 [11.6]

FOR DISPLAY OPTION, ADD 0.2 LB (0.1 kg)

0.5 - 1.5 INCH
FLANGED STYLE

- 3. ROSEMOUNT CERTIFIES THESE DRAWINGS ARE IN ACCORDANCE WITH ROSEMOUNT ENGINEERING SPECIFICATIONS AND ACCURATELY REPRESENT THE EQUIPMENT FURNISHED.
- 2. REFERENCE INSTRUCTION MANUAL FOR DETAIL INSTALLATION INFORMATION AND WIRING CONNECTIONS, ALL MODELS.
- 1. DIMENSIONS ARE IN INCHES. DIMENSIONS SHOWN IN PARENTHESIS ARE IN MILLIMETERS.

CONFIDENTIAL AND PROPRIETARY INFORMATION IS CONTAINED HEREIN AND MUST BE HANDLED ACCORDINGLY.	UNLESS OTHERWISE SPECIFIED DIMENSIONS IN INCHES [mm]. REMOVE ALL BURRS AND SHARP EDGES. MACHINE SURFACE FINISH 125		8200 Market Boulevard Chanhassen, MN 55317 USA		
	TITLE INSTALLATION DRAWING FOR 8800 VORTEX FLOWMETER				
	DR.	D. BROKKE 5/20/99	SIZE	DRAWING NO.	
	APP'D	R.B. 6/10/99	C	08800-0002	
DO NOT SCALE PRINT		CAD MAINTAINED, (PRO/E)		SHEET 1 OF 6	

4

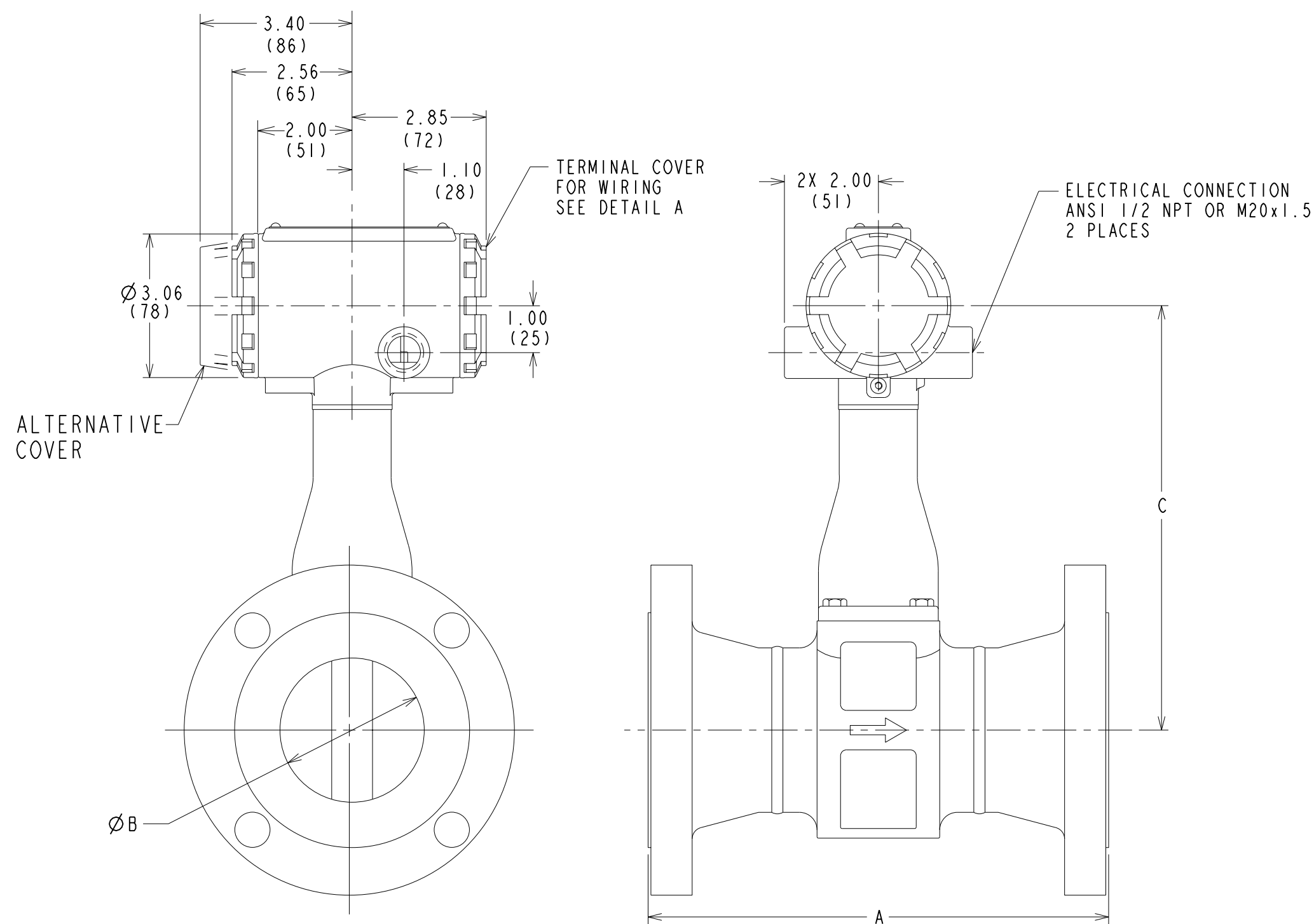
3

2

1

NOMINAL SIZE		A ±.16 [4,1] INCH [mm]	A ±.16 [4,1] ANSI RTJ INCH [mm]	ØB ±.03 [0,8] INCH [mm]	C ±.20 [5,1] INCH [mm]	WEIGHT LB (kg)
2 IN METER DN50	150 LB	9.2 [234]	9.7 [246]	1.92 [48,8]	8.5 [216]	22.0 [10,1]
	300 LB	9.7 [246]	10.4 [264]	1.92 [48,8]	8.5 [216]	26.1 [11,8]
	600 LB	10.5 [267]	10.6 [269]	1.92 [48,8]	8.5 [216]	29.8 [13,5]
	900 LB	12.7 [323]	12.9 [328]	1.92 [48,8]	8.5 [216]	59.5 [27,0]
	1500 LB	12.7 [323]	12.9 [328]	1.67 [42,4]	8.5 [216]	61.9 [28,1]
	PN16/40	8.0 [203]	--	1.92 [48,8]	8.5 [216]	23.2 [10,5]
	PN63/64	9.1 [231]	--	1.92 [48,8]	8.5 [216]	30.8 [13,9]
	PN100	9.6 [244]	--	1.92 [48,8]	8.5 [216]	36.5 [16,6]
	PN160	10.2 [259]	--	1.92 [48,8]	8.5 [216]	38.8 [17,6]
	PN250	10.9 [277]	--	1.67 [42,4]	8.5 [216]	47.4 [21,5]
	JIS 10K	7.7 [196]	--	1.92 [48,8]	8.5 [216]	19.5 [8,8]
	JIS 20K	8.2 [208]	--	1.92 [48,8]	8.5 [216]	20.4 [9,3]
JIS 40K	9.8 [249]	--	1.92 [48,8]	8.5 [216]	28.5 [12,9]	
3 IN METER DN80	150 LB	9.9 [251]	10.4 [264]	2.87 [72,9]	9.1 [231]	37.2 [16,9]
	300 LB	10.6 [269]	11.2 [284]	2.87 [72,9]	9.1 [231]	46.5 [21,1]
	600 LB	11.4 [290]	11.5 [292]	2.87 [72,9]	9.1 [231]	52.6 [23,8]
	900 LB	12.9 [328]	13.0 [330]	2.87 [72,9]	9.1 [231]	76.1 [34,5]
	1500 LB	14.1 [358]	14.2 [361]	2.60 [66,0]	9.1 [231]	108.9 [49,4]
	PN16/40	8.9 [226]	--	2.87 [72,9]	9.1 [231]	36.6 [16,6]
	PN63/64	10.0 [254]	--	2.87 [72,9]	9.1 [231]	45.3 [20,6]
	PN100	10.5 [267]	--	2.87 [72,9]	9.1 [231]	54.7 [24,8]
	PN160	11.1 [282]	--	2.87 [72,9]	9.1 [231]	59.6 [27,0]
	PN250	12.4 [315]	--	2.60 [66,0]	9.1 [231]	90.1 [40,9]
	JIS 10K	7.9 [201]	--	2.87 [72,9]	9.1 [231]	28.0 [12,7]
	JIS 20K	9.3 [236]	--	2.87 [72,9]	9.1 [231]	35.4 [16,1]
JIS 40K	11.0 [279]	--	2.87 [72,9]	9.1 [231]	50.3 [22,8]	
4 IN METER DN100	150 LB	10.3 [262]	10.8 [274]	3.79 [96,3]	9.6 [244]	51.3 [23,3]
	300 LB	11.0 [279]	11.6 [295]	3.79 [96,3]	9.6 [244]	71.5 [32,4]
	600 LB	12.8 [325]	12.9 [328]	3.79 [96,3]	9.6 [244]	97.5 [44,2]
	900 LB	13.8 [351]	13.9 [353]	3.79 [96,3]	9.6 [244]	120.8 [54,8]
	1500 LB	14.5 [368]	14.6 [371]	3.40 [86,4]	9.6 [244]	162.6 [73,8]
	PN16	8.4 [213]	--	3.79 [96,3]	9.6 [244]	40.4 [18,3]
	PN40	9.4 [239]	--	3.79 [96,3]	9.6 [244]	49.5 [22,4]
	PN63/64	10.4 [264]	--	3.79 [96,3]	9.6 [244]	62.5 [28,3]
	PN100	11.3 [287]	--	3.79 [96,3]	9.6 [244]	78.9 [35,8]
	PN160	12.1 [307]	--	3.79 [96,3]	9.6 [244]	86.2 [39,1]
	PN250	13.7 [348]	--	3.40 [86,4]	9.6 [244]	143.4 [65,0]
	JIS 10K	8.7 [221]	--	3.79 [96,3]	9.6 [244]	37.5 [17,0]
JIS 20K	8.7 [221]	--	3.79 [96,3]	9.6 [244]	45.4 [20,6]	
JIS 40K	11.8 [300]	--	3.79 [96,3]	9.6 [244]	75.8 [34,4]	
6 IN METER DN150	150 LB	11.6 [295]	12.1 [307]	5.70 [144,8]	10.8 [274]	81 [37]
	300 LB	12.3 [312]	13.0 [330]	5.70 [144,8]	10.8 [274]	120 [55]
	600 LB	14.3 [363]	14.4 [366]	5.70 [144,8]	10.8 [274]	187 [85]
	900 LB	16.1 [409]	16.2 [411]	5.14 [130,6]	10.8 [274]	277.9 [126,0]
	1500 LB	18.6 [472]	18.8 [478]	5.14 [130,6]	10.8 [274]	375.8 [170,4]
	PN16	8.9 [226]	--	5.70 [144,8]	10.8 [274]	66 [30]
	PN40	10.5 [267]	--	5.70 [144,8]	10.8 [274]	86 [39]
	PN63/64	12.1 [307]	--	5.70 [144,8]	10.8 [274]	130 [59]
	PN100	13.6 [345]	--	5.70 [144,8]	10.8 [274]	160 [73]
	PN160	14.7 [373]	--	5.14 [130,6]	10.8 [274]	202.2 [91,7]
	PN250	17.2 [437]	--	5.14 [130,6]	10.8 [274]	312 [141,6]
	JIS 10K	10.6 [269]	--	5.70 [144,8]	10.8 [274]	70 [32]
	JIS 20K	10.6 [269]	--	5.70 [144,8]	10.8 [274]	88 [40]
	JIS 40K	14.2 [361]	--	5.70 [144,8]	10.8 [274]	166 [75]

FOR DISPLAY OPTION, ADD 0.2 LB (0.1 kg)



2 - 12 INCH
FLANGED STYLE

NOMINAL SIZE		A ±.16 [4,1] INCH [mm]	A ±.16 [4,1] ANSI RTJ INCH [mm]	ØB ±.03 [0,8] INCH [mm]	C ±.20 [5,1] INCH [mm]	WEIGHT LB (kg)
8 IN METER DN200	150 LB	13.5 [343]	14.0 [356]	7.55 [191,8]	11.7 [297]	141.6 [64,2]
	300 LB	14.3 [363]	14.9 [378]	7.55 [191,8]	11.7 [297]	198.7 [90,1]
	600 LB	16.5 [419]	16.7 [424]	7.55 [191,8]	11.7 [297]	298.6 [135,4]
	900 LB	18.8 [478]	18.9 [480]	6.62 [168,1]	11.7 [297]	479.2 [217,4]
	1500 LB	22.8 [579]	23.2 [589]	6.62 [168,1]	11.7 [297]	652.4 [295,9]
	PN10	10.4 [264]	--	7.55 [191,8]	11.7 [297]	110.5 [50,1]
	PN16	10.4 [264]	--	7.55 [191,8]	11.7 [297]	109.4 [49,6]
	PN25	11.8 [300]	--	7.55 [191,8]	11.7 [297]	137.7 [62,5]
	PN40	12.5 [318]	--	7.55 [191,8]	11.7 [297]	156.5 [71,0]
	PN63/64	14.2 [361]	--	7.55 [191,8]	11.7 [297]	217.1 [98,5]
	PN100	15.8 [401]	--	7.55 [191,8]	11.7 [297]	282.7 [128,2]
	PN160	16.6 [422]	--	6.62 [168,1]	11.7 [297]	346.6 [157,2]
	PN250	20.5 [521]	--	6.62 [168,1]	11.7 [297]	570.5 [258,8]
	JIS 10K	12.2 [310]	--	7.55 [191,8]	11.7 [297]	110.1 [49,9]
	JIS 20K	12.2 [310]	--	7.55 [191,8]	11.7 [297]	134.5 [61,0]
	JIS 40K	16.5 [419]	--	7.55 [191,8]	11.7 [297]	255.7 [116,0]

FOR DISPLAY OPTION, ADD 0.2 LB (0.1 kg)

EMERSON Process Management		ROSEMOUNT® 8200 Market Boulevard Chanhassen, MN 55317 USA	
SIZE C	88800-0002		REV BJ
CAD Maintained, (Pro/E) SHEET 2 OF 6			

4

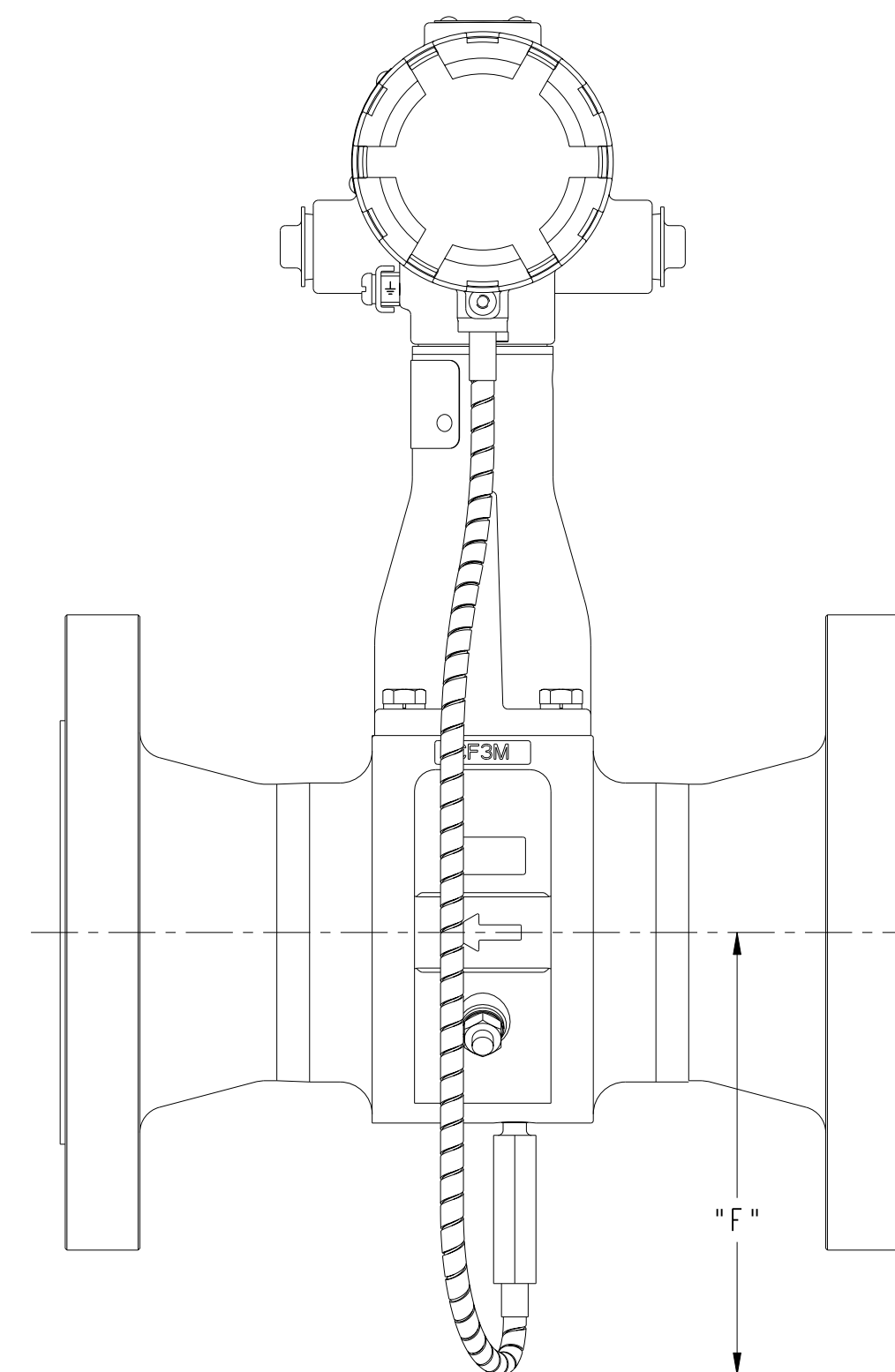
3

2

1

NOMINAL SIZE		A ±.16 [4,1] INCH [mm]	A ±.16 [4,1] ANSI RTJ INCH [mm]	ØB ±.03 [0,8] INCH [mm]	C ±.20 [5,1] INCH [mm]	WEIGHT LB (kg)
10 IN METER DN250	150 LB	14.5 [368]	15.0 [381]	9.56 [242,8]	12.8 [325]	197.7 [89,7]
	300 LB	15.8 [401]	16.4 [417]	9.56 [242,8]	12.8 [325]	286.2 [129,8]
	600 LB	19.0 [483]	19.2 [488]	9.56 [242,8]	12.8 [325]	477.9 [216,9]
	PN10	11.9 [302]	--	9.56 [242,8]	12.8 [325]	157.1 [71,3]
	PN16	12.0 [305]	--	9.56 [242,8]	12.8 [325]	161.9 [73,5]
	PN25	13.5 [343]	--	9.56 [242,8]	12.8 [325]	198.6 [90,1]
	PN40	14.8 [376]	--	9.56 [242,8]	12.8 [325]	246.8 [111,9]
	PN63/64	16.4 [417]	--	9.56 [242,8]	12.8 [325]	308.2 [139,8]
	PN100	18.9 [480]	--	9.56 [242,8]	12.8 [325]	445.2 [201,9]
	JIS 10K	14.5 [368]	--	9.56 [242,8]	12.8 [325]	174.5 [79,1]
JIS 20K	14.5 [368]	--	9.56 [242,8]	12.8 [325]	221.8 [100,6]	
JIS 40K	18.1 [460]	--	9.56 [242,8]	12.8 [325]	378.5 [171,7]	
12 IN METER DN300	150 LB	16.8 [427]	17.3 [439]	11.38 [289,0]	13.7 [348]	297.5 [134,9]
	300 LB	18.0 [457]	18.6 [472]	11.38 [289,0]	13.7 [348]	415.7 [188,6]
	600 LB	20.5 [521]	20.6 [523]	11.38 [289,0]	13.7 [348]	595.4 [270,1]
	PN10	13.1 [333]	--	11.38 [289,0]	13.7 [348]	204.1 [92,6]
	PN16	13.9 [353]	--	11.38 [289,0]	13.7 [348]	224.6 [101,9]
	PN25	15.0 [381]	--	11.38 [289,0]	13.7 [348]	269.4 [122,2]
	PN40	16.8 [427]	--	11.38 [289,0]	13.7 [348]	347.9 [157,8]
	PN63/64	18.8 [478]	--	11.38 [289,0]	13.7 [348]	431.2 [195,6]
	PN100	21.2 [538]	--	11.38 [289,0]	13.7 [348]	644.1 [292,2]
	JIS 10K	15.7 [399]	--	11.38 [289,0]	13.7 [348]	222.9 [101,1]
JIS 20K	15.7 [399]	--	11.38 [289,0]	13.7 [348]	284.2 [128,9]	
JIS 40K	19.6 [498]	--	11.38 [289,0]	13.7 [348]	493.8 [224,0]	

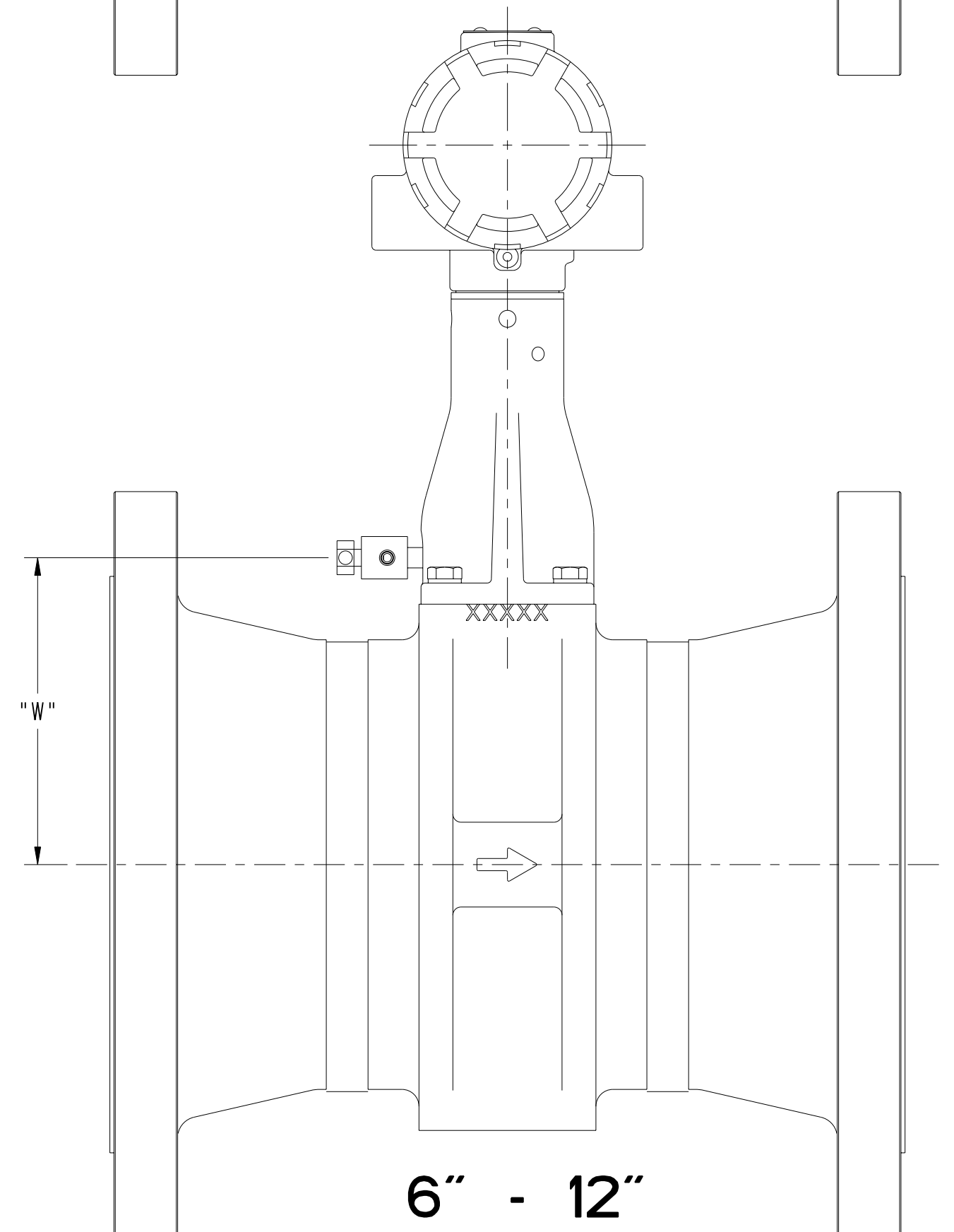
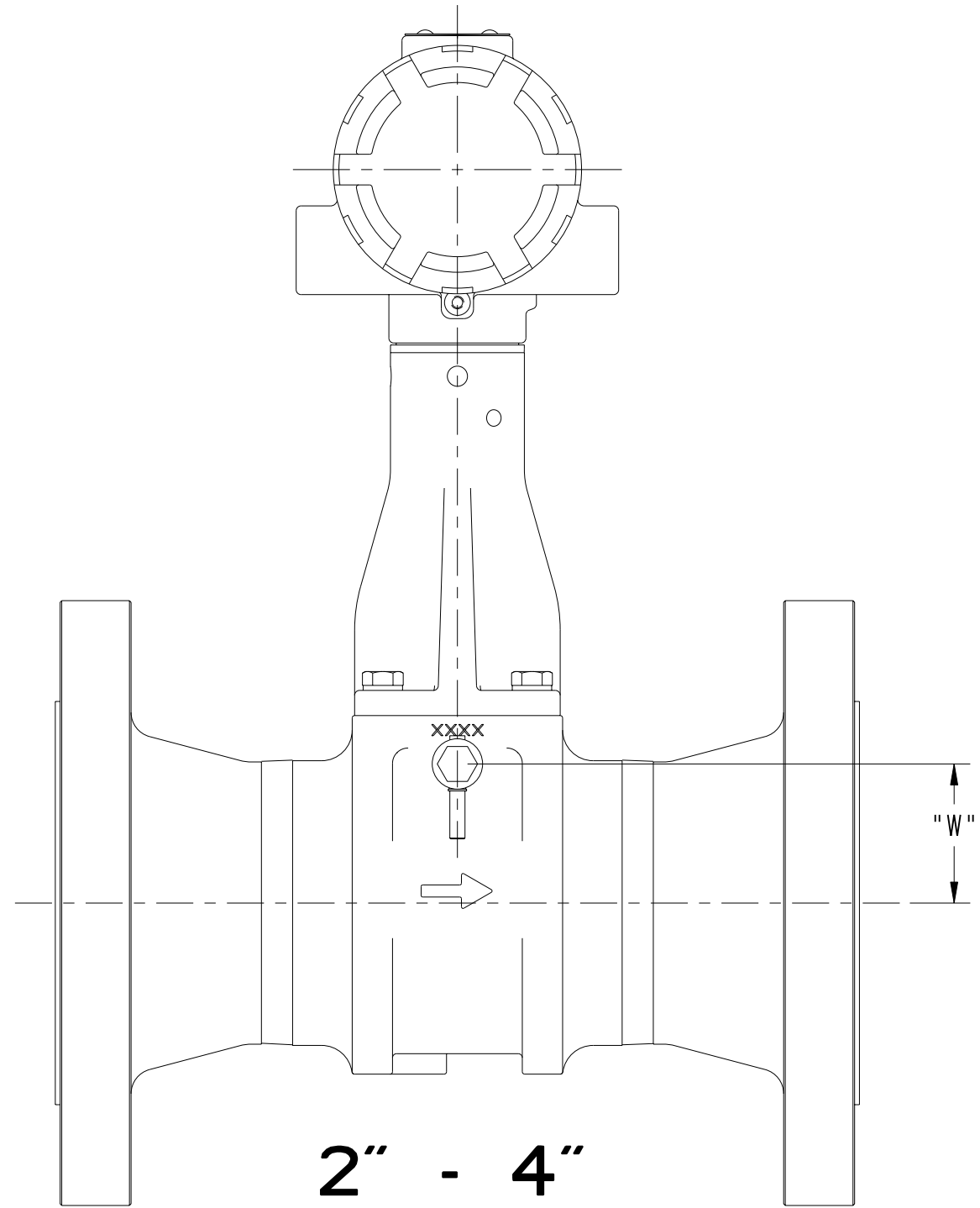
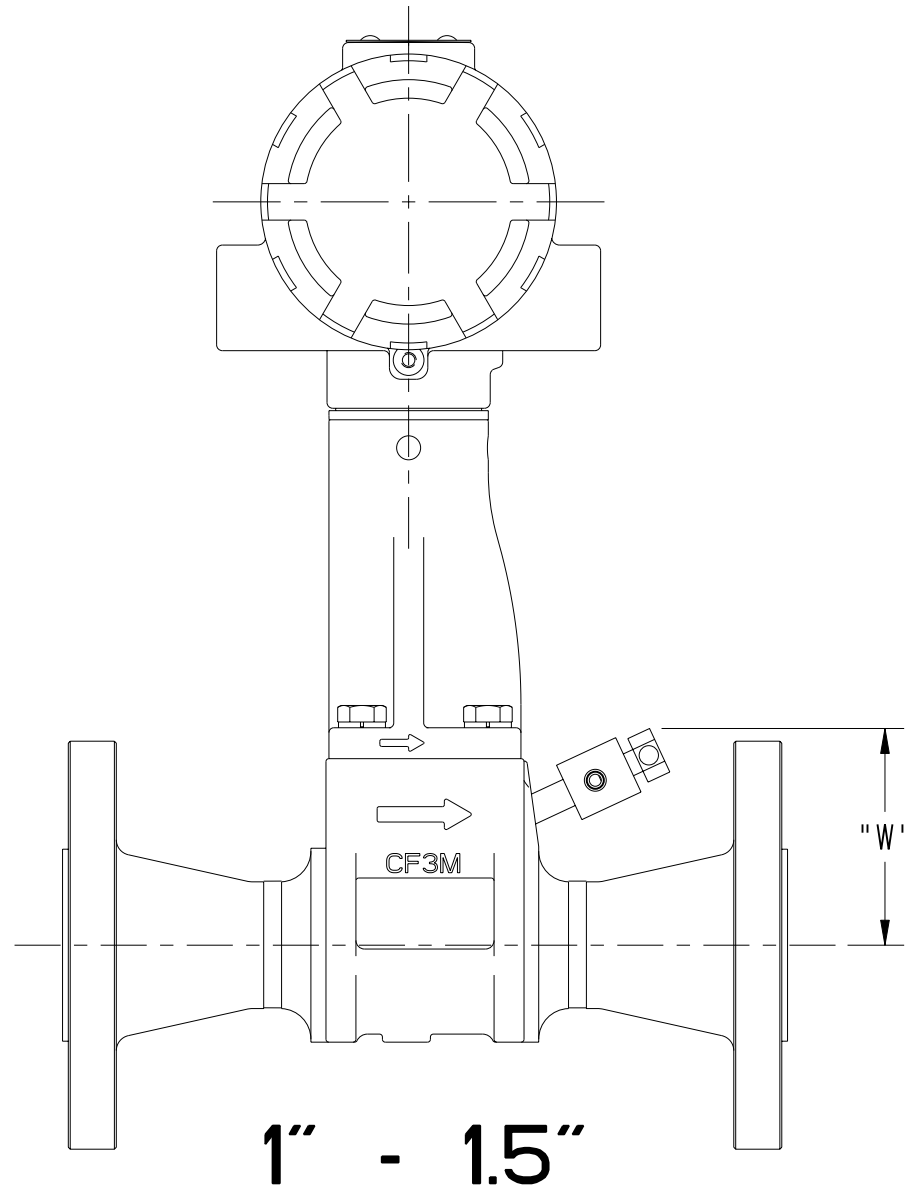
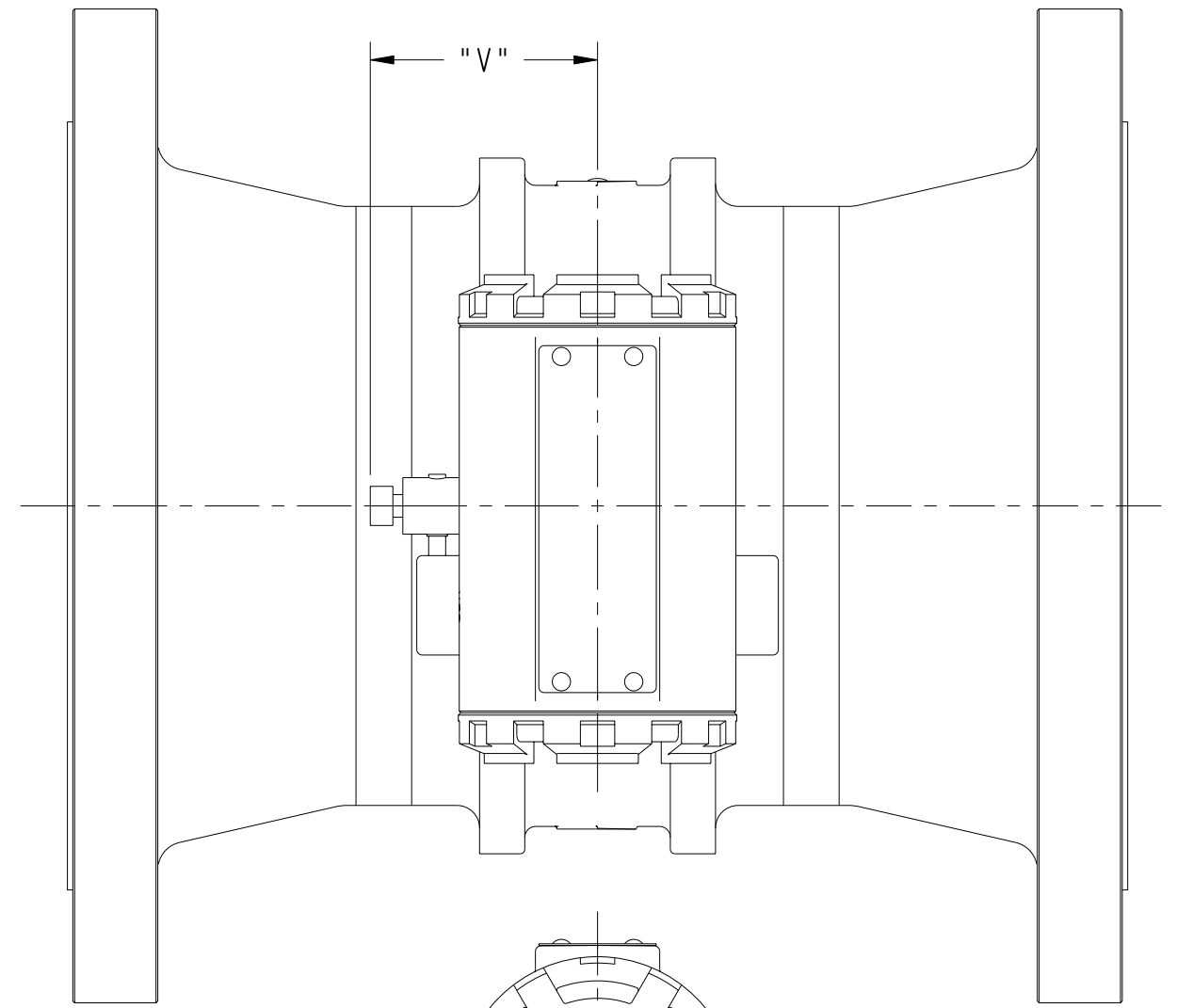
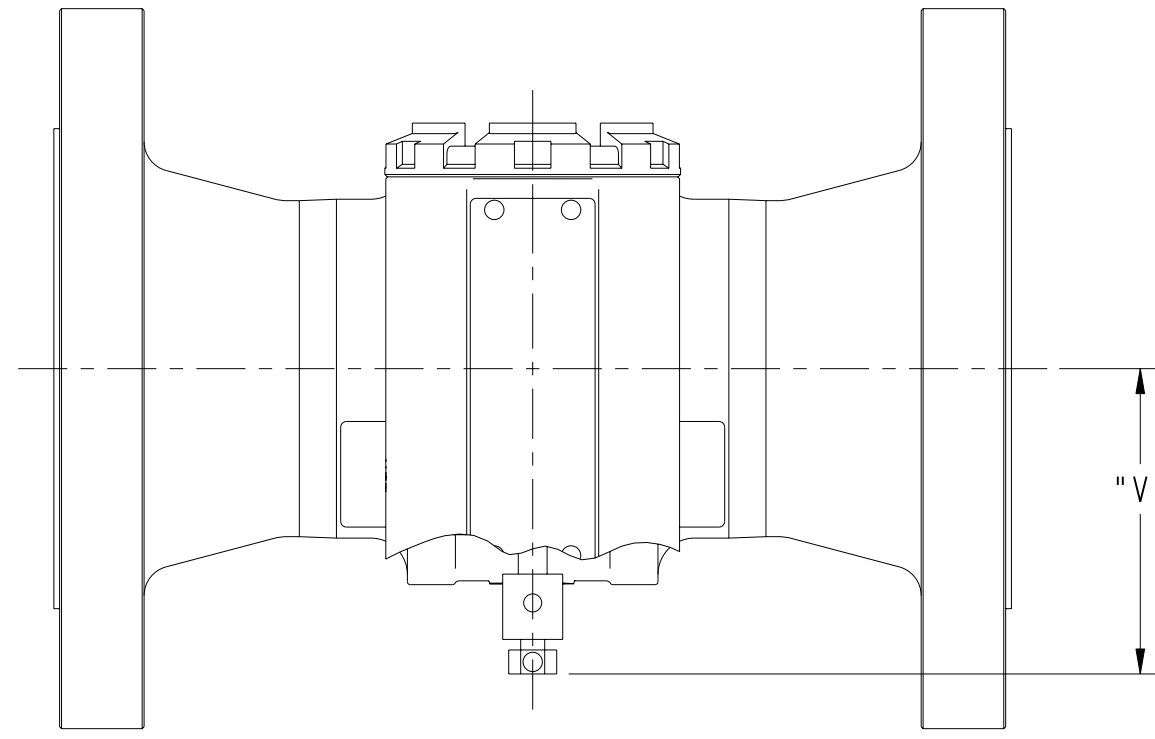
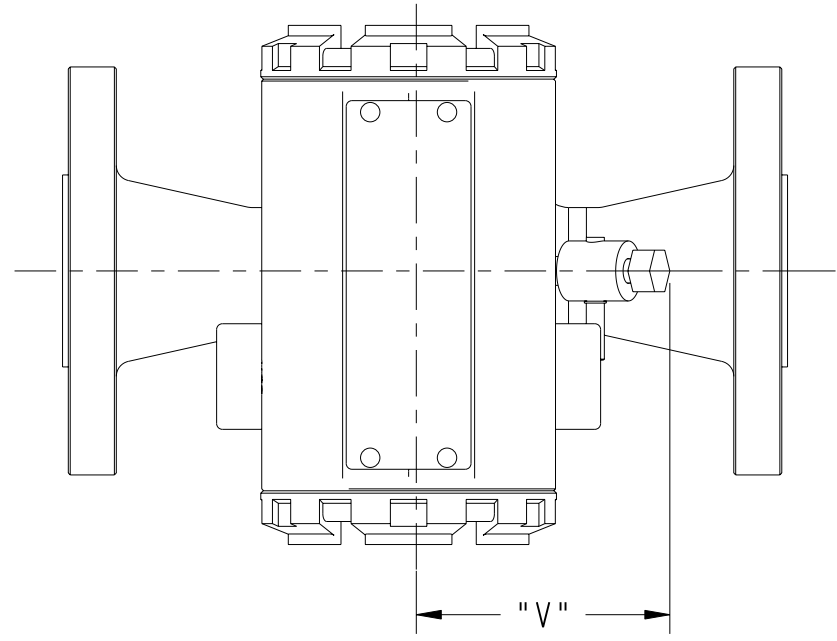
FOR DISPLAY OPTION, ADD 0.2 LB (0.1 kg)

MTA OPTION 1.5"-12"
FLANGED ONLY

MTA OPTION	
LINE SIZE	"F"
1.5	4.5
2	4.7
3	5.3
4	5.9
6	7.4
8	8.3
10	9.3
12	10.1

EMERSON Process Management		ROSEMOUNT® 8200 Market Boulevard Chaska, MN 55317 USA	
SIZE C	08800-0002	REV BJ	
CAD Maintained, (Pro/E) SHEET 3 OF 6			

CPA OPTION - FLANGED ONLY



CPA OPTION		
LINE SIZE	"V"	"W"
1	2.74	2.25
1.5	2.58	2.59
2	3.18	1.12
3	3.18	1.73
4	3.18	2.25
6	2.51	4.53
8	2.51	5.57
10	2.51	6.58
12	2.51	7.49

FOR TRANSMITTER DIMENSIONS SEE SHEET 1 OR 2

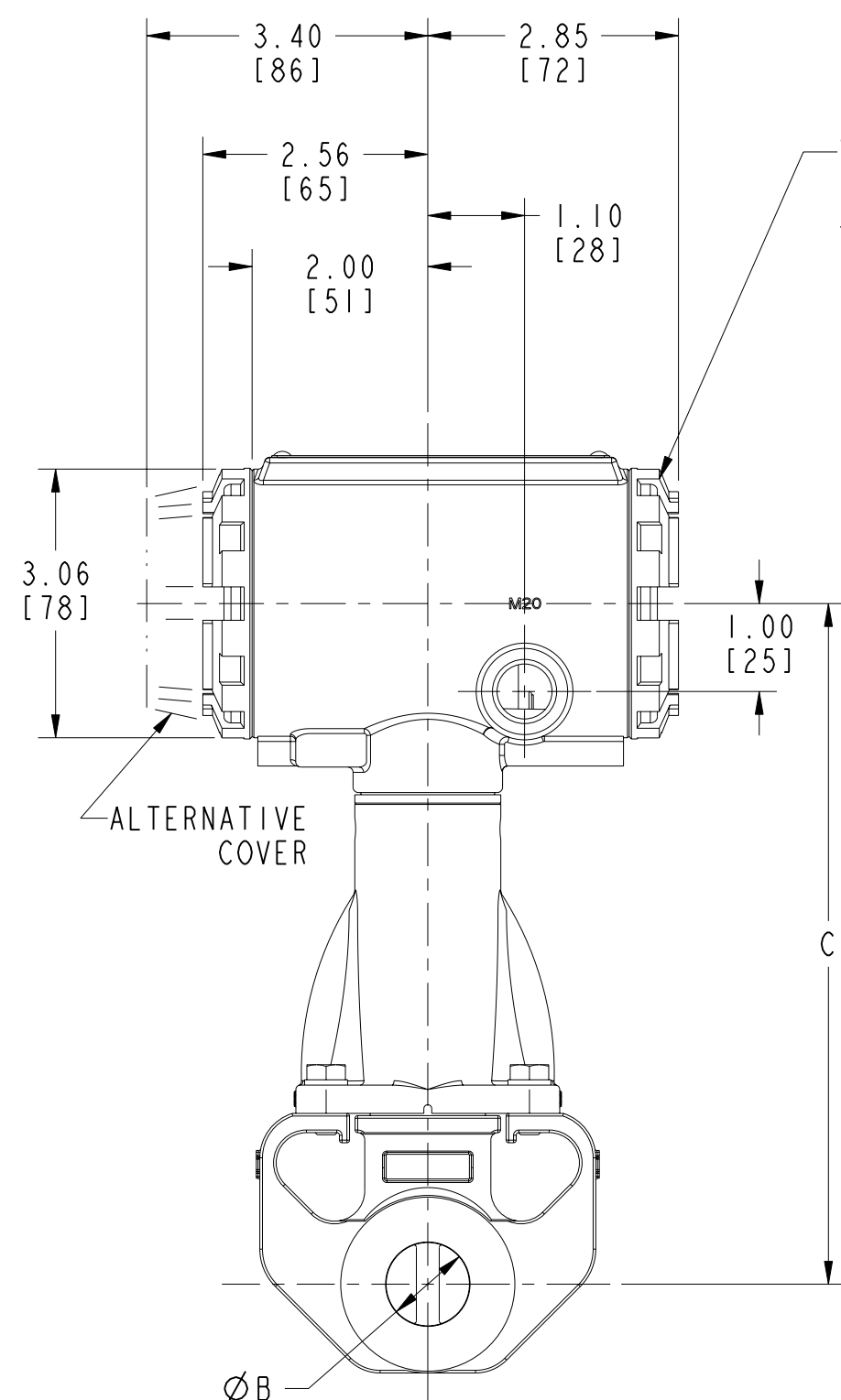
<small>8200 Market Boulevard Chaska, MN 55317 USA</small>		
SIZE	08800-0002	REV
C		BJ
<small>CAD Maintained, (Pro/E) SHEET 4 OF 6</small>		

4

3

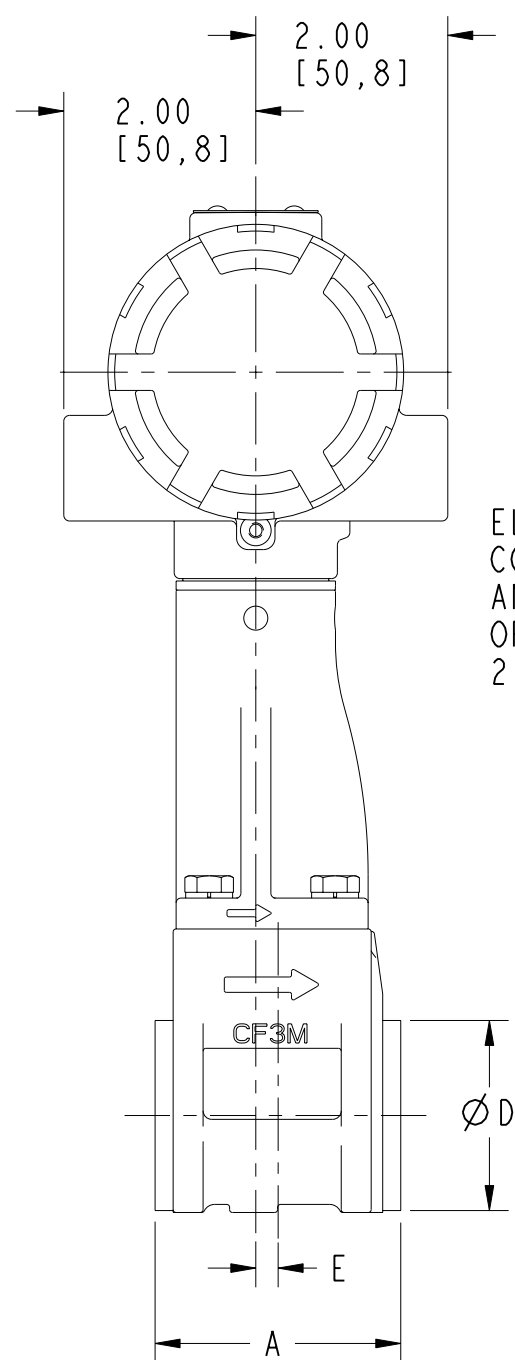
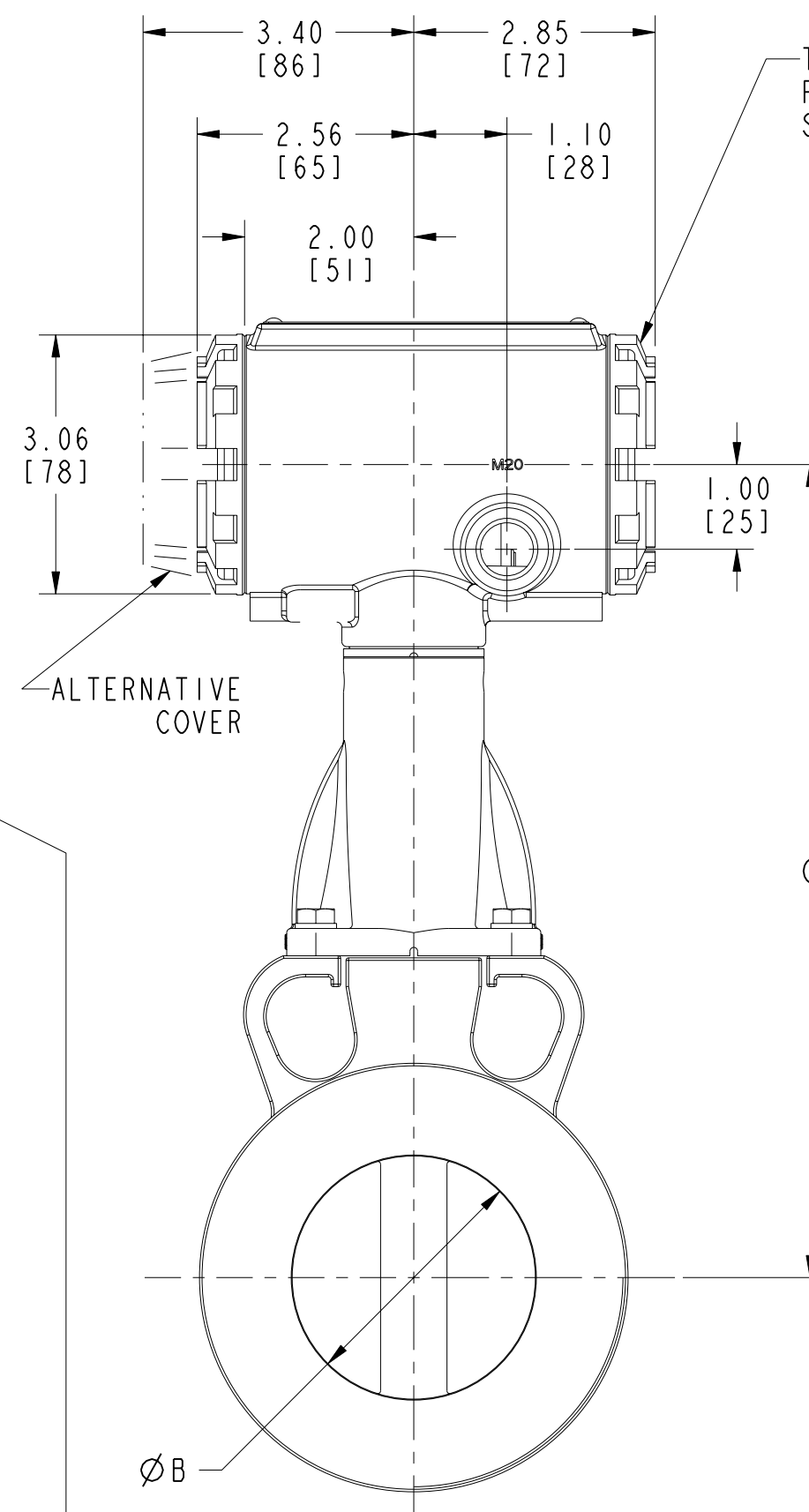
2

1



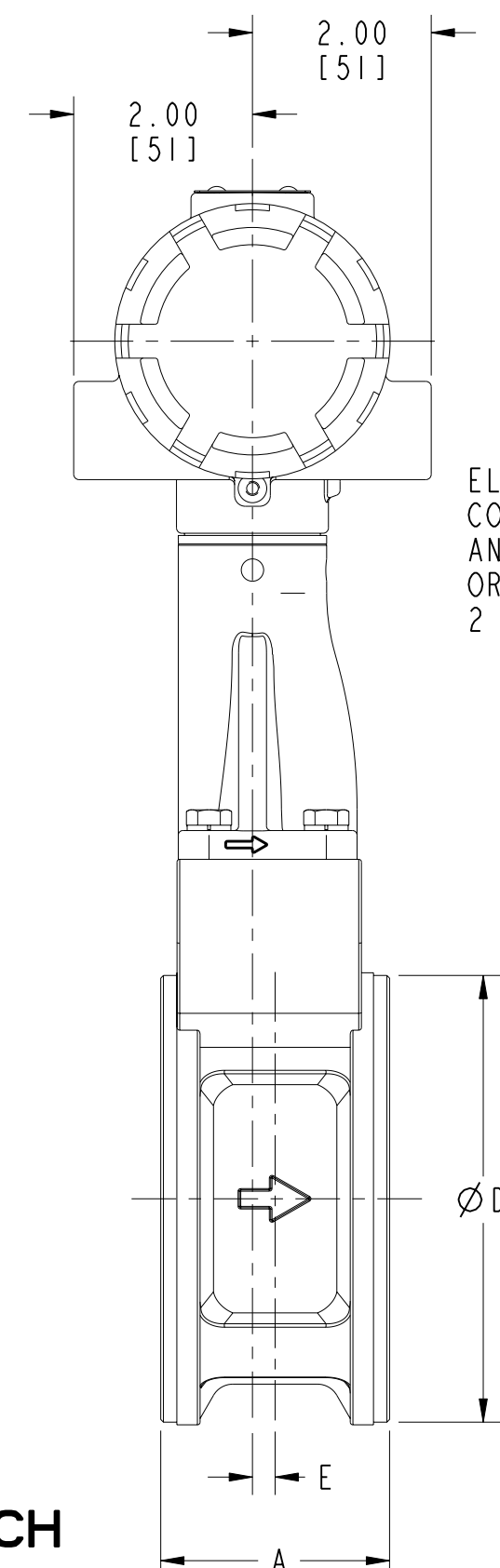
0.5 - 15 INCH

WAFER STYLE

ELECTRICAL CONNECTION
ANSI 1/2 NPT
OR M20x1.5
2 PLACES

2 - 4 INCH

WAFER STYLE

ELECTRICAL CONNECTION
ANSI 1/2 NPT
OR M20x1.5
2 PLACES

6 - 8 INCH

WAFER STYLE
(DIMENSION REFERENCES
PER 2-4 INCH VIEW)

NOMINAL SIZE INCH [mm]	A ± .16 [4,1]	∅B	C ± .20 [5,1]	∅D	E	WEIGHT LB [kg]
1/2 [15]	2.56 [65]	.52 [13,2]	7.63 [194]	1.38 [35,1]	.17 [4,3]	6.8 [3,1]
1 [25]	2.56 [65]	.95 [24,1]	7.74 [197]	1.98 [50,3]	.23 [5,9]	7.4 [3,4]
1-1/2 [40]	2.56 [65]	1.49 [37,8]	8.14 [206]	2.87 [72,9]	.18 [4,5]	10.0 [4,5]

NOMINAL SIZE INCH [mm]	A ± .16 [4,1]	∅B	C ± .20 [5,1]	∅D	E	WEIGHT LB [kg]
2 [50]	2.56 [65]	1.92 [48,8]	8.85 [224,8]	3.86 [98]	.12 [3]	10.6 [4,8]
3 [80]	2.56 [65]	2.87 [72,9]	9.62 [244,4]	5.00 [127]	.25 [6,4]	13.6 [6,2]
4 [100]	3.42 [86,9]	3.79 [96,3]	10.48 [266,2]	6.20 [157,5]	.44 [11,2]	21.4 [9,7]
6 [150]	5.00 [127]	5.70 [144,8]	10.29 [261]	8.50 [216]	.30 [7,6]	36 [16]
8 [200]	6.60 [168]	7.55 [192]	11.22 [285]	10.62 [270]	.70 [17,8]	62 [28]

EMERSON Process Management		ROSEMOUNT® 8200 Market Boulevard Chaska, MN 55317 USA	
SIZE C	08800-0002	REV BJ	
CAD Maintained, (Pro/E) SHEET 5 OF 6			

4

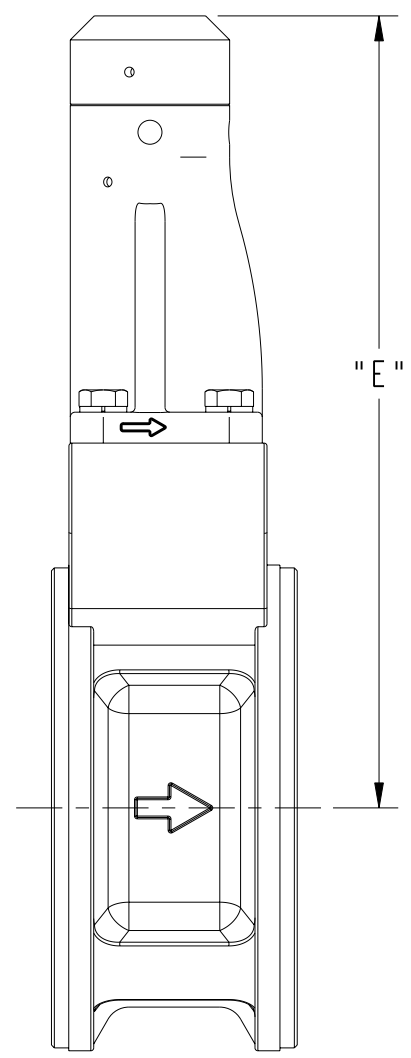
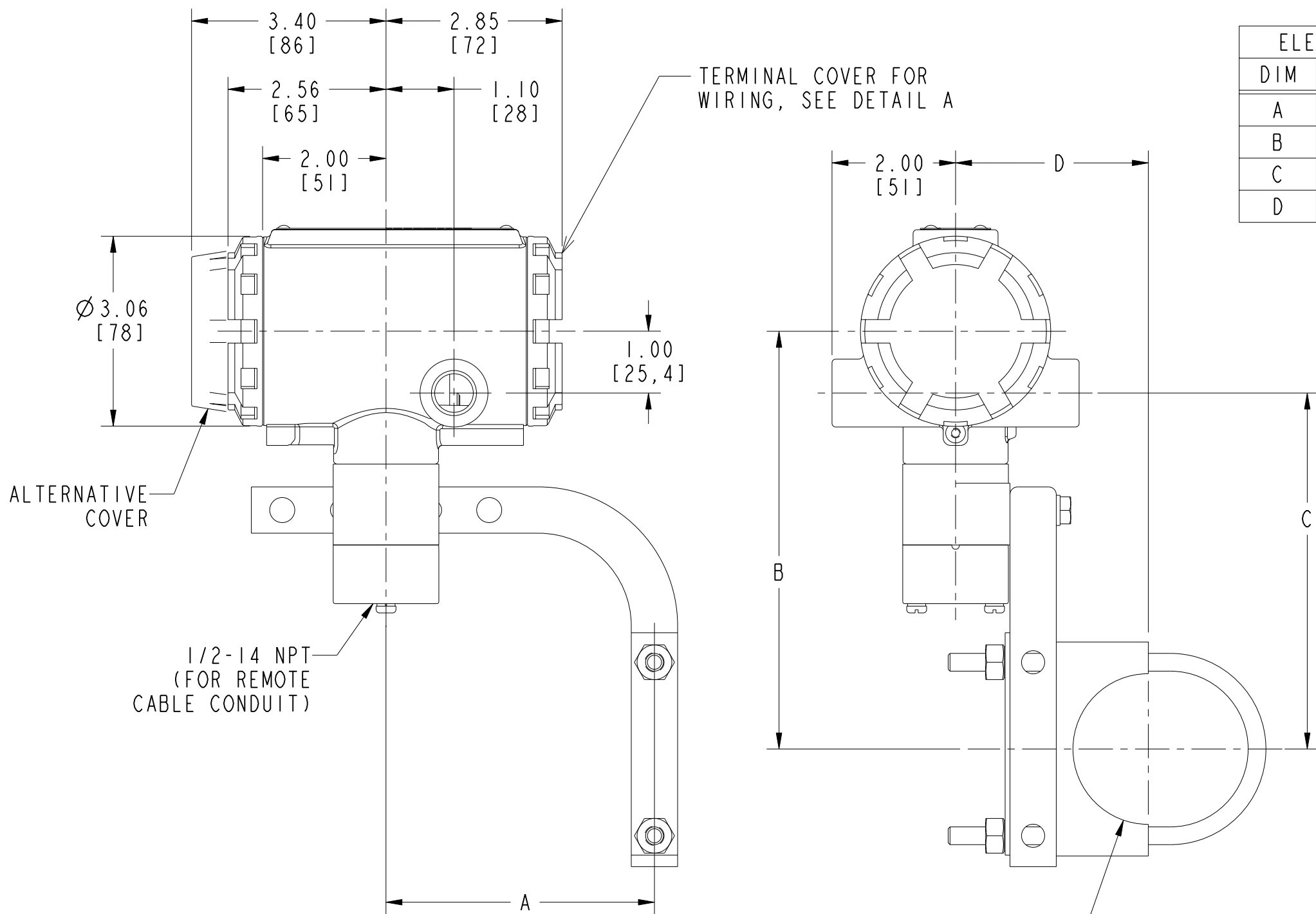
3

2

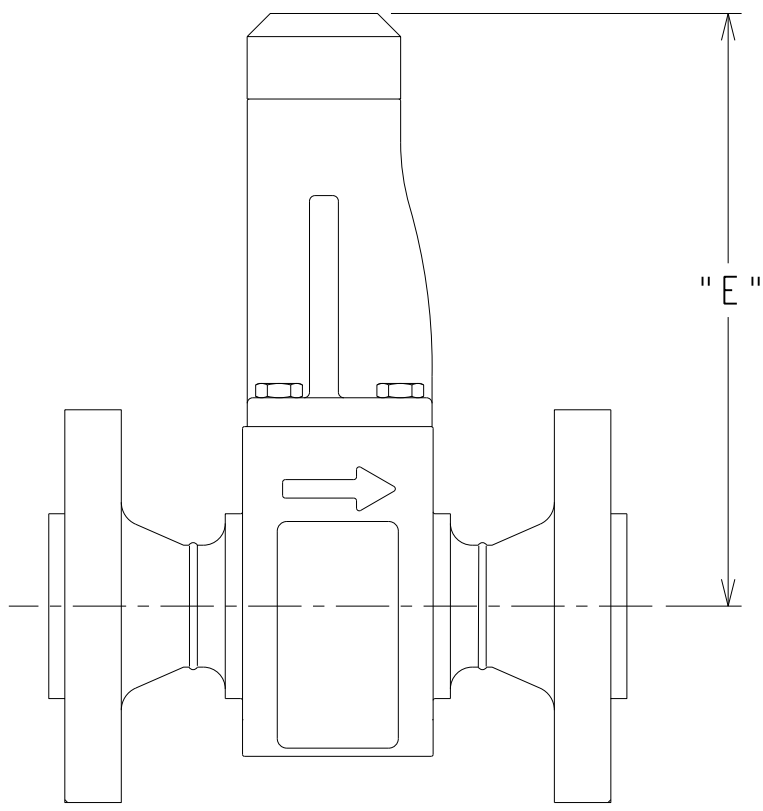
1

ELECTRONICS HOUSING MATERIAL		
DIM	ALUMINUM	SST
A	4.35 [110]	4.47 [114]
B	6.77 [172]	6.89 [175]
C	5.77 [147]	5.89 [150]
D	3.12 [79]	3.37 [86]

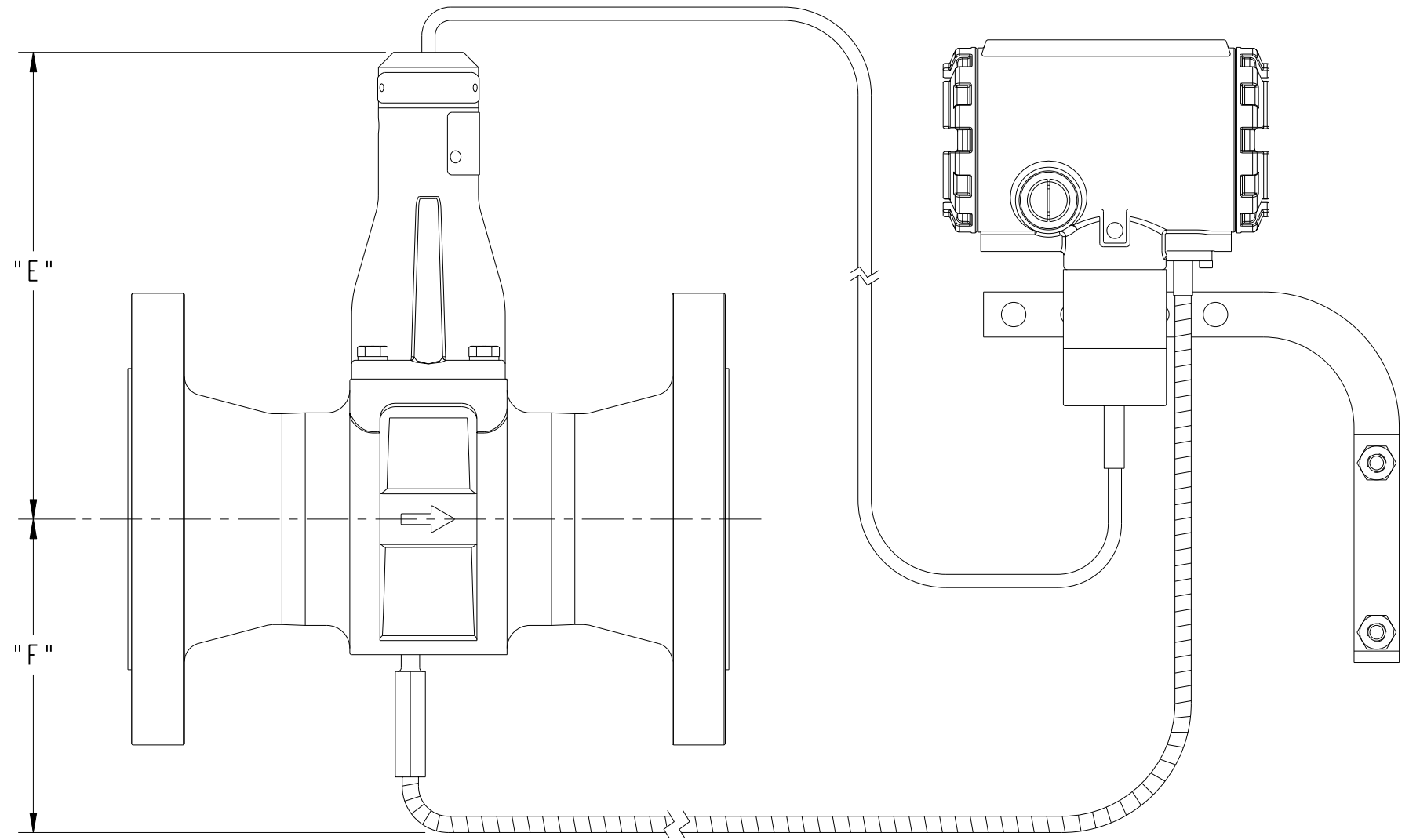
REMOTE MOUNT			
NOMINAL SIZE INCH [mm]	WAFER STYLE "E"±.2 [5]	FLANGE STYLE "E"	FLANGE STYLE "F"
.5" METER	6.3 [160]	6.4 [162]	-
1" METER	6.5 [165]	6.5 [165]	-
1.5" METER	6.7 [170]	6.8 [173]	4.5 [114]
2" METER	7.5 [191]	7.2 [183]	4.7 [119]
3" METER	8.3 [211]	7.8 [198]	5.3 [135]
4" METER	9.2 [234]	8.3 [211]	5.9 [150]
6" METER	9.5 [241]	9.5 [241]	7.4 [188]
8" METER	10.4 [264]	10.4 [264]	8.3 [211]
10" METER	-	11.4 [290]	9.3 [236]
12" METER	-	12.3 [312]	10.1 [256]



REMOTE MOUNT
WAFER STYLE



REMOTE MOUNT
FLANGED STYLE



REMOTE MOUNT
WITH MTA OPTION

EMERSON Process Management
ROSEMOUNT
 8200 Market Boulevard Chaska, MN 55317 USA

SIZE C	08800-0002	REV BJ
CAD Maintained, (Pro/E) SHEET 6 OF 6		