



Pneumatic Double Acting Automated Ball Valve Package

Series 38 3-Way Ball Valve

- Reduced Port Valve
- 1000 psi WOG
- Available 1/4" – 2"
- 316SS Body, Ball & Stem
- Threaded Ends
- "T" Port or "L" Port
- 4 Seat Design



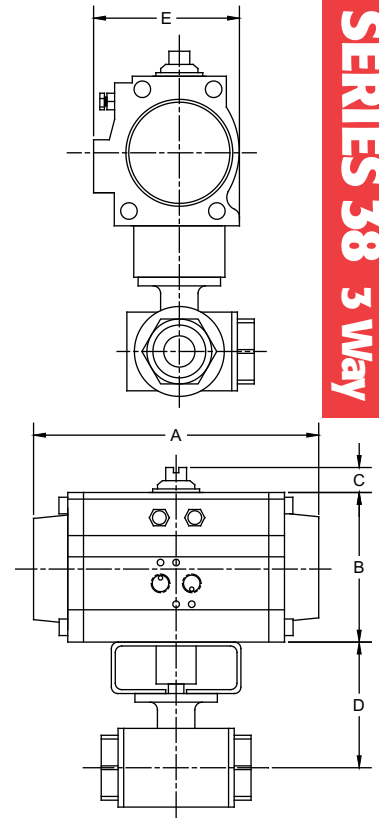
Threaded 3 Way

SERIES 38 3 Way

DIMENSIONS (IN)

| VALVE SIZE | A | B | C | D | E |
|------------|------|------|------|------|------|
| 1/4" | 5.98 | 2.76 | 0.79 | 2.54 | 2.58 |
| 3/8" | 5.98 | 2.76 | 0.79 | 2.54 | 2.58 |
| 1/2" | 5.98 | 2.76 | 0.79 | 2.68 | 2.58 |
| 3/4" | 5.98 | 2.76 | 0.79 | 3.03 | 2.58 |
| 1" | 7.95 | 3.43 | 0.79 | 3.18 | 3.29 |
| 1-1/4" | 9.29 | 4.49 | 0.79 | 3.43 | 4.41 |
| 1-1/2" | 9.29 | 4.49 | 0.79 | 3.72 | 4.41 |
| 2" | 9.29 | 4.49 | 0.79 | 4.06 | 4.41 |

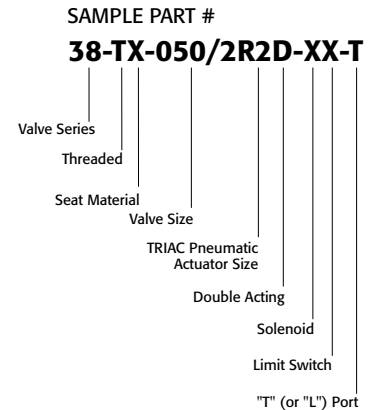
| VALVE Cv | |
|----------------------|------------|
| T-PORT STRAIGHT THRU | L-PORT 90° |
| 3 | 3.5 |
| 3.5 | 4 |
| 4.2 | 5 |
| 7 | 8 |
| 14 | 20 |
| 19 | 30 |
| 35 | 40 |
| 45 | 60 |



DIMENSIONS SHOWN ARE FOR ASSEMBLIES SIZED FOR 80 PSI SUPPLY

| SIZED FOR 80 psi AIR SUPPLY | |
|-----------------------------|---------------------|
| SIZE | MODEL |
| 1/4" | 38-TX-025/TR1D-XX-T |
| 3/8" | 38-TX-038/TR1D-XX-T |
| 1/2" | 38-TX-050/TR1D-XX-T |
| 3/4" | 38-TX-075/TR1D-XX-T |
| 1" | 38-TX-100/2R2D-XX-T |
| 1-1/4" | 38-TX-125/2R3D-XX-T |
| 1-1/2" | 38-TX-150/2R3D-XX-T |
| 2" | 38-TX-200/2R3D-XX-T |

| SIZED FOR 60 psi AIR SUPPLY | |
|-----------------------------|---------------------|
| SIZE | MODEL |
| 1/4" | 38-TX-025/TR1D-XX-T |
| 3/8" | 38-TX-038/TR1D-XX-T |
| 1/2" | 38-TX-050/2R2D-XX-T |
| 3/4" | 38-TX-075/2R2D-XX-T |
| 1" | 38-TX-100/2R3D-XX-T |
| 1-1/4" | 38-TX-125/2R3D-XX-T |
| 1-1/2" | 38-TX-150/2R3D-XX-T |
| 2" | 38-TX-200/2R4D-XX-T |



OPTIONS

| DESCRIPTION | PART NO. SUFFIX | DESCRIPTION | PART NO. SUFFIX |
|-----------------|-----------------|------------------------------|-----------------|
| NEMA 4 Solenoid | (A) | NEMA 4 Limit Switch (2) spdt | (A) |
| NEMA 7 Solenoid | (B) | NEMA 7 Limit Switch (2) spdt | (B) |

Other options available - call for details
 Specify flow pattern when ordering (see back)
 Actuators are sized based on clean/clear fluid.



Triac Division
 11363 Deerfield Rd.
 Cincinnati, Ohio 45242

PHONE (513) 247-5465
 FAX (513) 247-5462
 e-mail: sales@a-tcontrols.com
 www.a-tcontrols.com