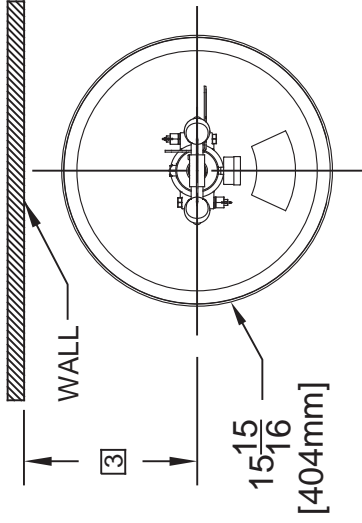
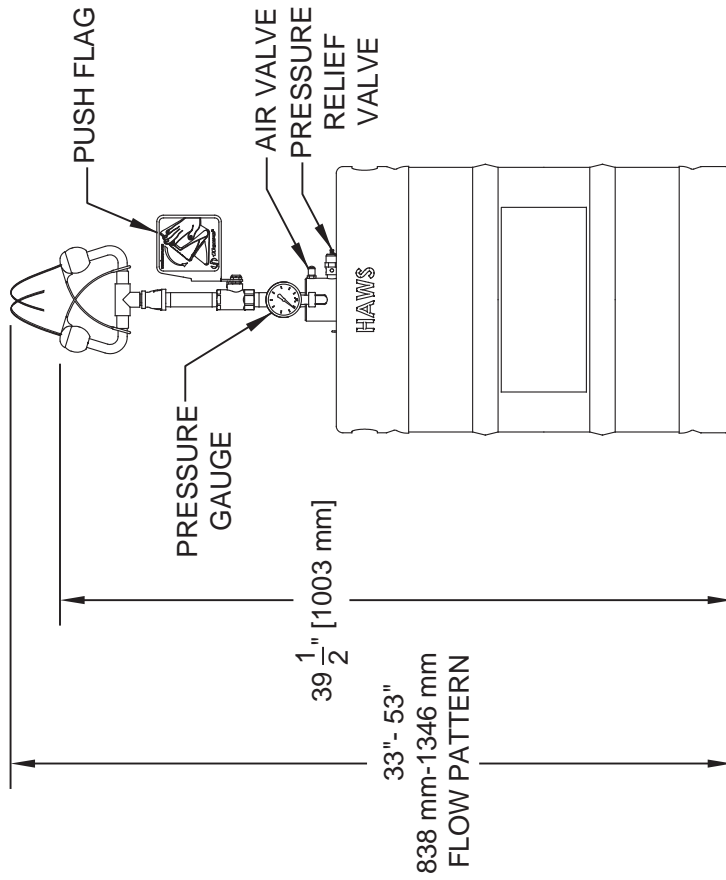
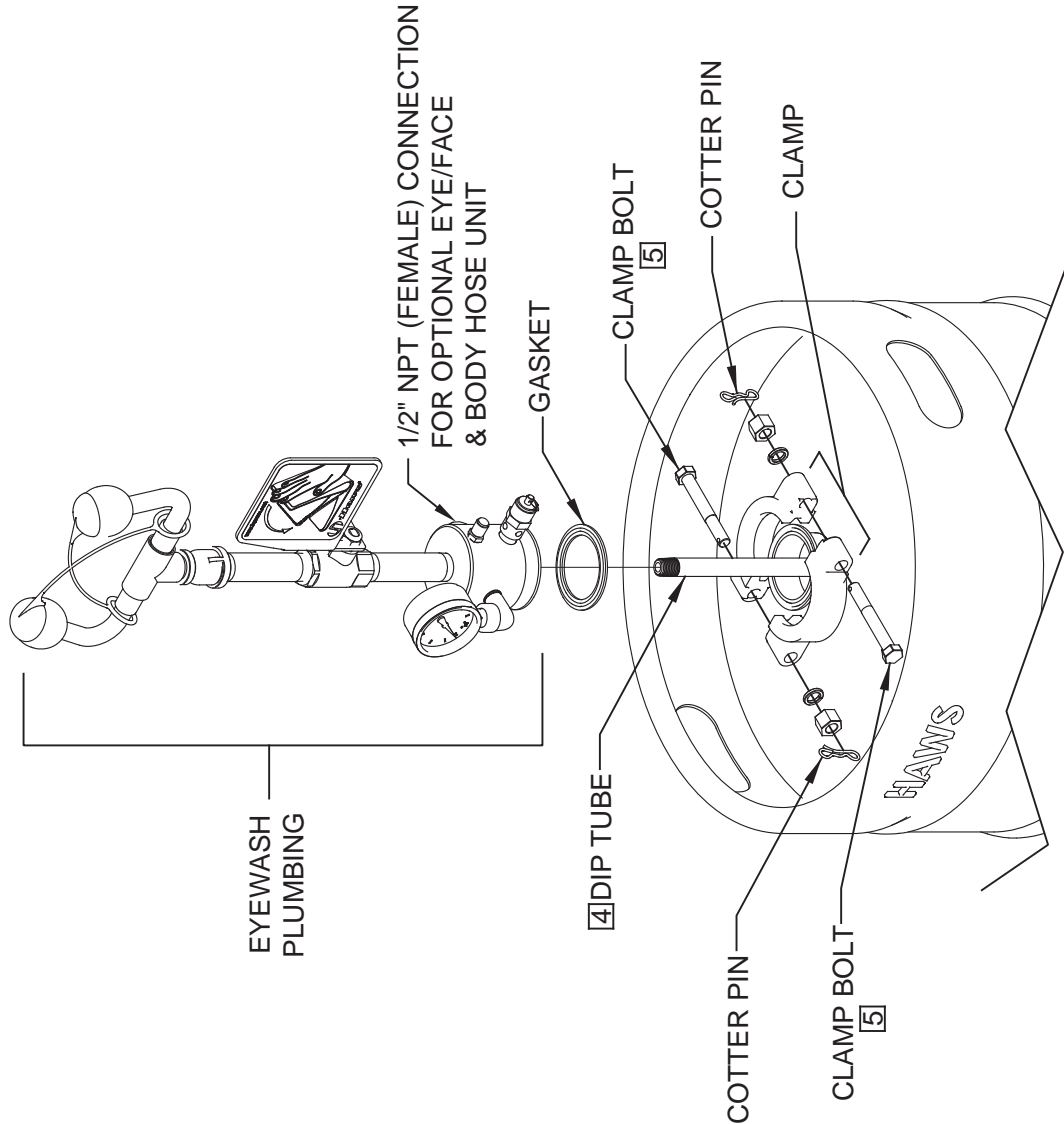


NOTES:

1. TO COMPLY WITH ANSI/ISEA Z358.1-2014 FOR EMERGENCY EYEWASH OR EYEWASH: EYEWASH OR EYEFACE WASH SHALL BE POSITIONED SUCH THAT FLUSHING FLUID PATTERN IS NOT LESS THAN 33" (838mm) AND NO GREATER THAN 53" (1346 mm) FROM SURFACE ON WHICH USER STANDS; AND 6.0" (153mm) MINIMUM FROM WALL OR NEAREST OBSTRUCTION.
2. DIMENSIONS MAY VARY BY ±1/2" [12.7mm].
3. EYEWASH HEAD ASSEMBLY MUST BE PARALLEL TO WALL OR OBSTRUCTION TO MEET CRITERIA STATED IN ACCORDANCE TO NOTE 1.
4. USE DOW CORNING 832 SEALANT ON DIP TUBE THREADS; HAND TIGHTEN.
5. TIGHTEN CLAMP BOLTS TO 10 FT. LB. OF TORQUE.
6. FILL WITH 10 GALLONS OF CLEAN POTABLE WATER (NOTE FILL LINE ON MAIN LABEL.)
7. PRESSURIZE TO 75 PSI. REFILL IF PRESSURE IS LESS THAN 70 PSI.
8. WHEN INSTALLING THIS UNIT, LOCAL, STATE, OR FEDERAL CODES SHOULD BE ADHERED TO FOR INSTALLATION DIMENSIONS (LOCATIONS), WASTE AND SUPPLY REQUIREMENTS, ETC.
9. 7603T/7603T240 MUST BE FILLED WITH WATER BEFORE CONNECTING BLANKET TO POWER SOURCE. (NOTES CONTINUED ON PAGE 2 OF 2)



DETAILS FOR MODELS 7603



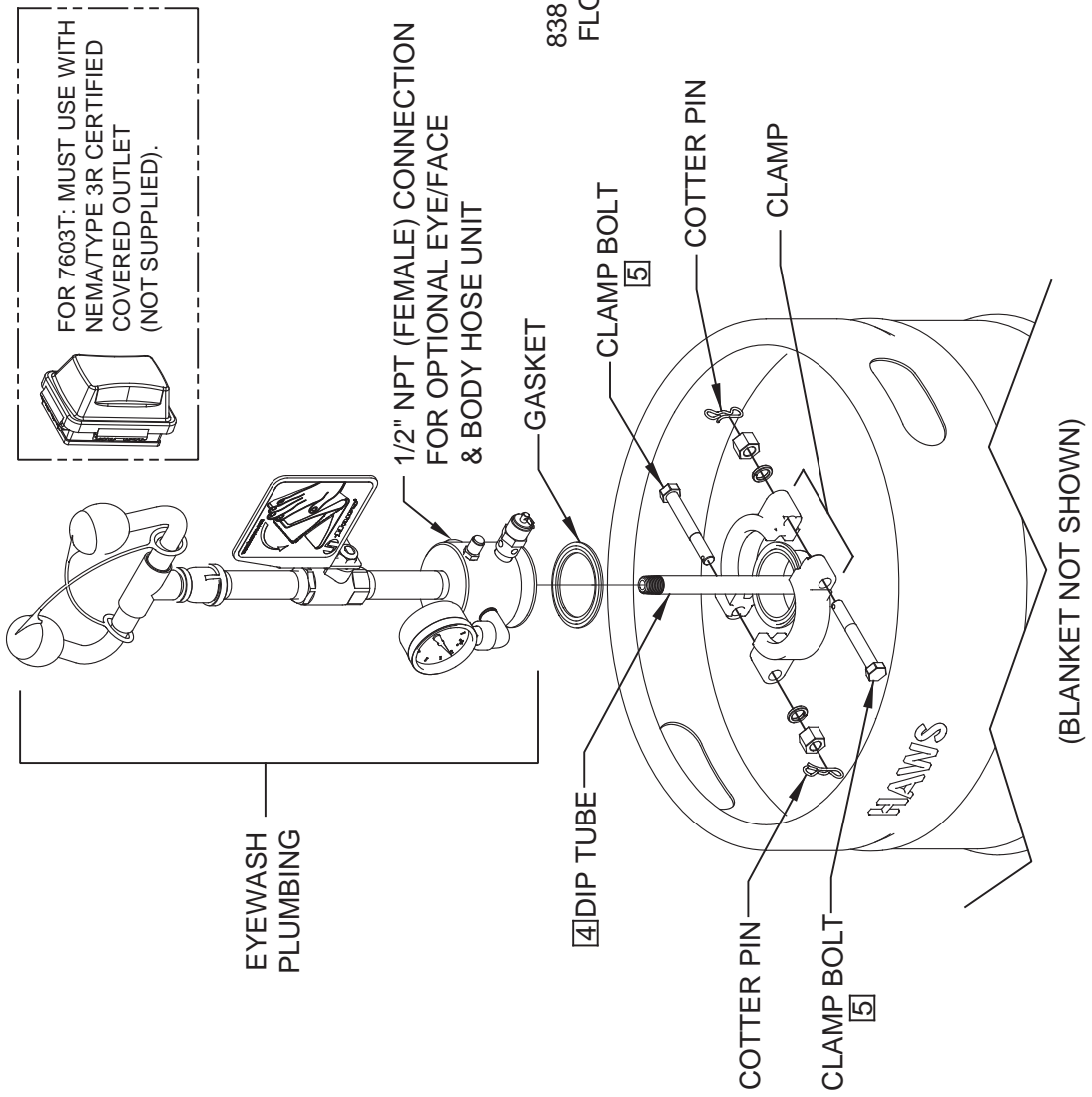
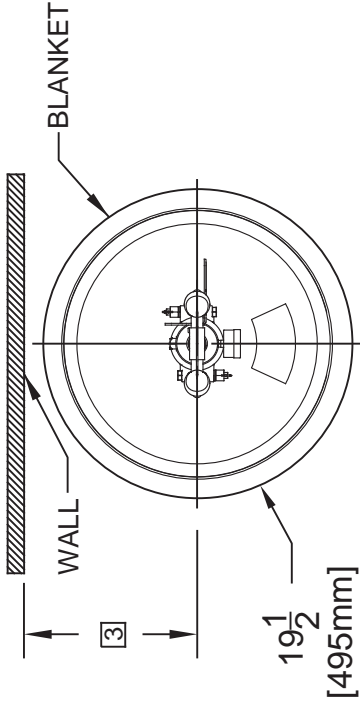
HAWS

1455 KLEPPE LANE
SPARKS, NEVADA 89431
(775) 359-4712 FAX (775) 359-7424
E-MAIL: HAWS@HAWS.CO.COM
WEBSITE: WWW.HAWS.CO.COM

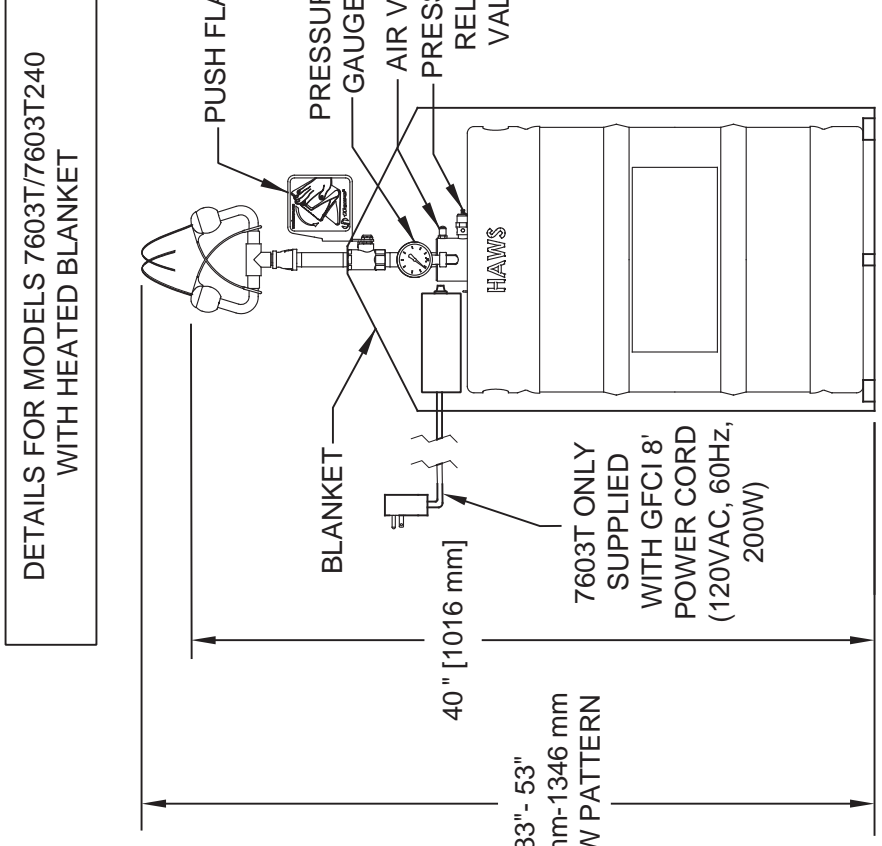
EON NO. REVISED PER BY:	MODEL(S)	SCALE	NA	DRAWING TYPE:	INSTALLATION	SIZE: A	SHEET 1 OF 2
5074 ECN: 5438 FV	7603/7603T/7603T240						
DRAWN: JL	DATE: 05/12/16	CHKD: DP					
APPROVED: IR	DATE: 12/09/19						
PART NUMBER	0510000480.D						
REVISION	4						

NOTES: (CONTINUED FROM PAGE 1 OF 2)

10. CORD SET SHALL BE LISTED TO UL 817 AND CSA-C22.2 NO. 21 AND PROVIDED WITH 3 WIRE GROUNDING TYPE ATTACHMENT PLUG RATED 240 V, MIN. 15 A.
11. THE FLEXIBLE CORD TYPE SHALL BE TYPE S, SE, SJ, SJE, SJO, SJTO, SUT, SUTJ, SUTJO, SO, SOO, ST, STO, OR STOO AND HAVE A TYPE LETTER SUFFIX OF "W," "W-A" OR "OUTDOOR."
12. THE CORD SET SHALL BE MIN. 6 FT IN LENGTH AND MIN 18 AWG SIZE FOR FLEXIBLE POWER SUPPLY CORD.
13. LISTED STRAIN RELIEF BUSHING SUITABLE FOR CORD SET SIZE AND OUTDOOR USE SHALL BE USED.
14. ALL MODELS MUST HAVE A GROUND FAULT PROTECTION DEVICE (30mA GFCI) FOR HEAT TRACE. ELECTRICAL CURRENTS MAY BE INSUFFICIENT TO TRIP A CONVENTIONAL CIRCUIT BREAKER. ALL INSTALLATIONS MUST BE INSTALLED IN COMPLIANCE WITH LOCAL, STATE, AND/OR FEDERAL CODES.
15. ALL POWER CONNECTIONS MUST BE MADE ACCORDING TO NEC/CEC CODE USING FLEXIBLE CONDUIT OR CABLE RATED FOR NEMA/TYPE 4 - NO RIGID CONNECTION PERMITTED. MODEL 7603T240 REQUIRES MINIMUM NEMA/TYPE 4 COMPLIANT EQUIPMENT.
16. THE FIELD INSTALLED POWER SUPPLY CORD SET NEEDS TO BE INSTALLED BY QUALIFIED PERSONNEL.



FOR 7603T: MUST USE WITH NEMA/TYPE 3R CERTIFIED COVERED OUTLET (NOT SUPPLIED).



DETAILS FOR MODELS 7603T/7603T240 WITH HEATED BLANKET

1455 KLEPPE LANE
SPARKS, NEVADA 89431
(775) 359-4712 FAX (775) 359-7424
E-MAIL: HAWS@HAWS.CO.COM
WEBSITE: WWW.HAWS.CO.COM

EON NO. REVISED PER BY:	5074	ECN: 5438	FV	MODEL(S)	7603/7603T/7603T240
DRAWN:	MJ	DATE:	10/12/17	SCALE:	NA
APPROVED:	IR	DATE:	12/09/19	DRAWING TYPE:	INSTALLATION
PART NUMBER	0510000480.D			REVISION	4
SIZE:	A			SHEET	2 OF 2