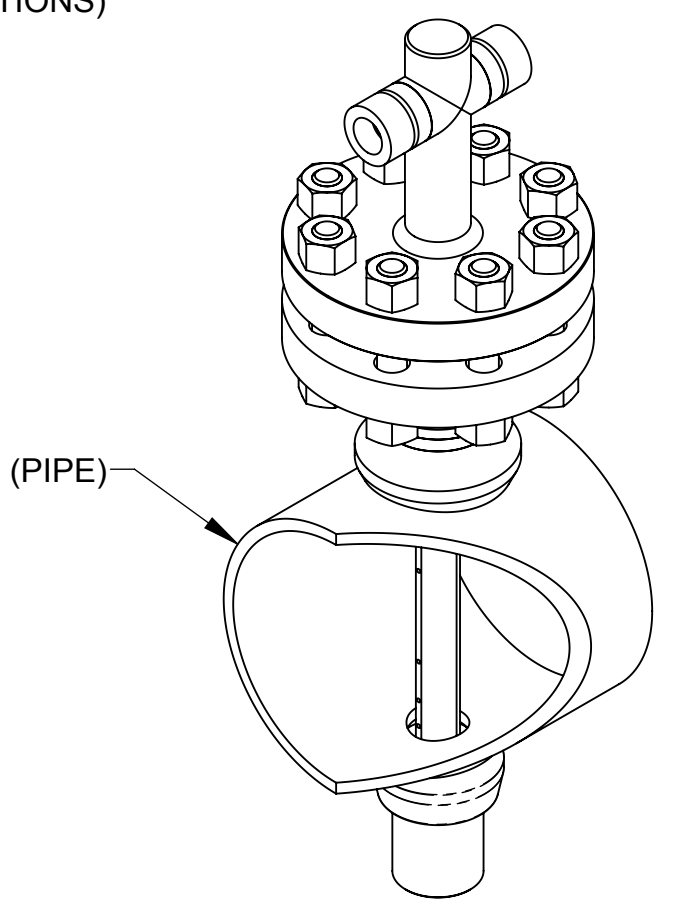
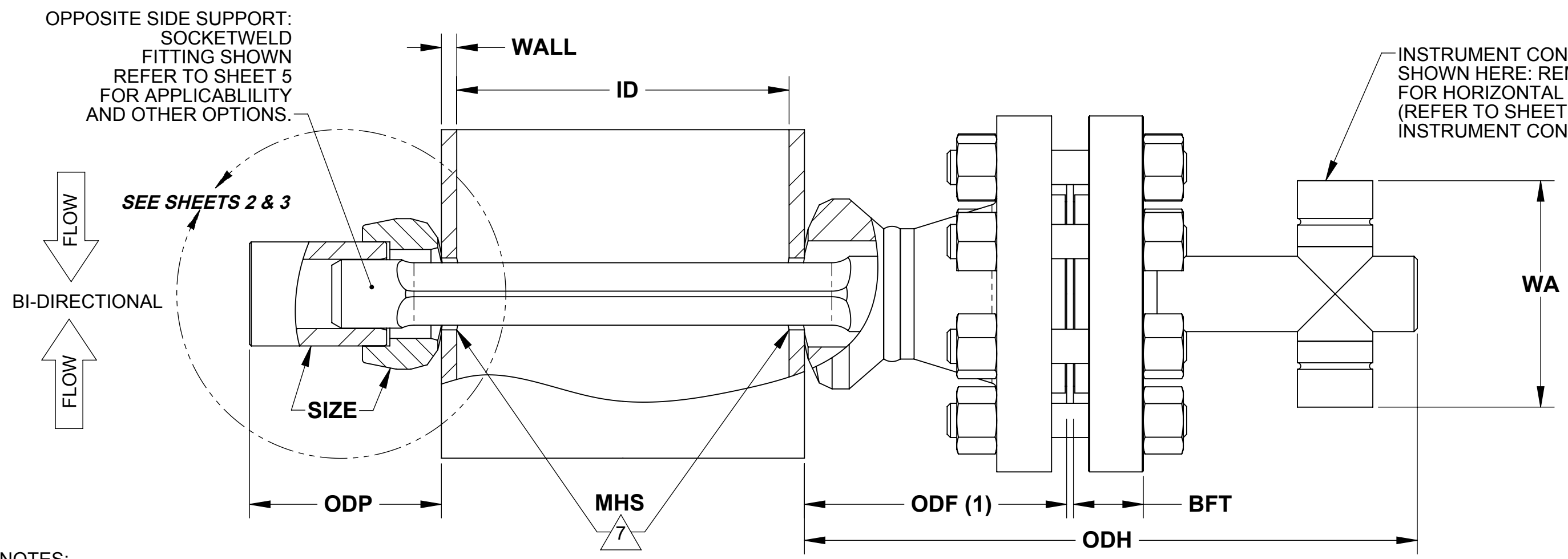
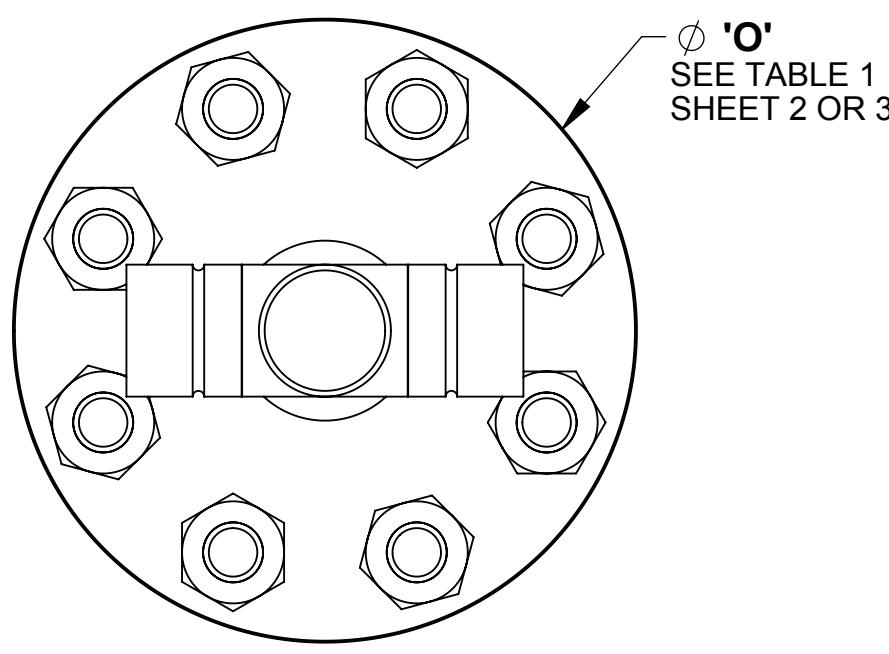
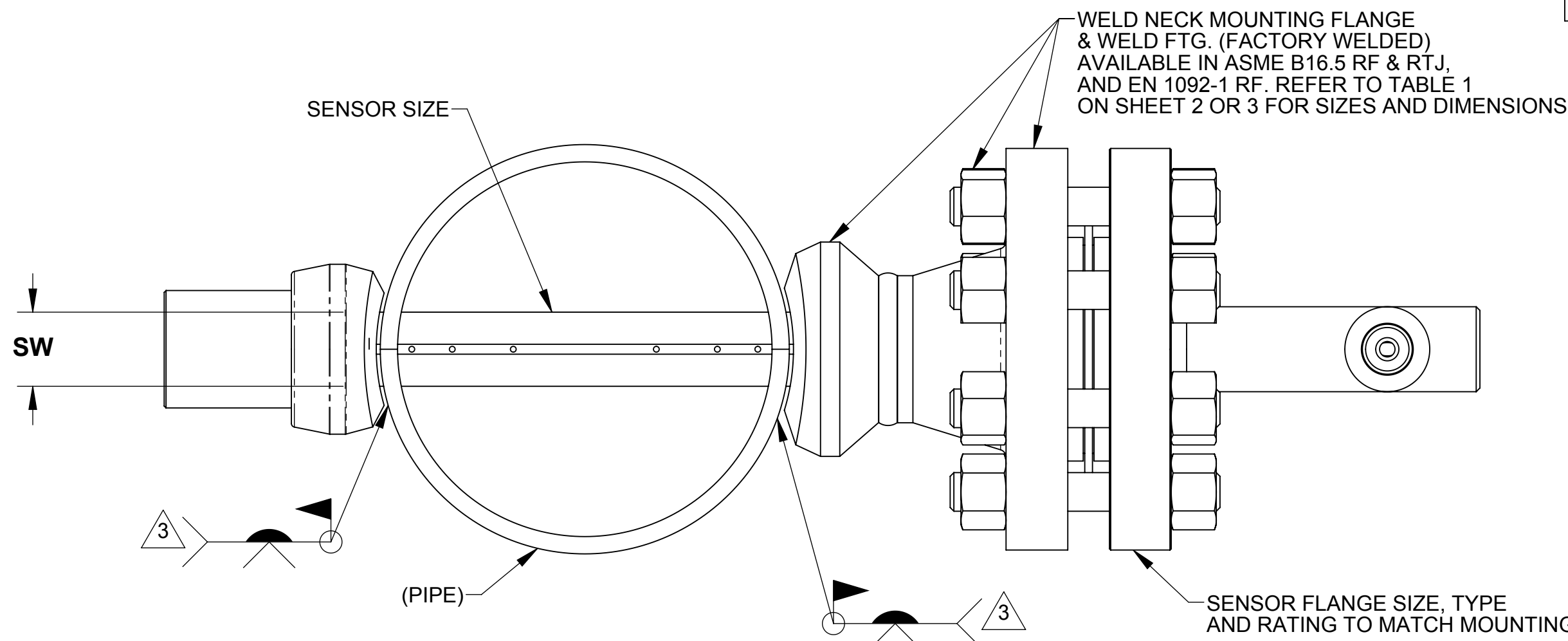


| REVISIONS |             |            |       |         |
|-----------|-------------|------------|-------|---------|
| REV       | DESCRIPTION | CHG.NO.    | APP'D | DATE    |
| AA        | NEW RELEASE | DSI1002388 | DRV   | 3/24/09 |



**585 FOR HORIZONTAL LINES WITH REMOTE-MOUNT INSTRUMENT CONNECTIONS**

- NOTES:
- ROSEMOUNT INC. CERTIFIES THIS DRAWING IS IN ACCORDANCE WITH ROSEMOUNT ENGINEERING SPECIFICATIONS & ACCURATELY REPRESENTS THE EQUIPMENT FURNISHED.
  - ALL ORIENTATIONS SHOWN FOR REFERENCE ONLY. FOR ACTUAL RECOMMENDED LOCATION & ORIENTATION OF SENSORS & INSTRUMENT CONNECTIONS REFER TO INSTALLATION INSTRUCTION MANUAL 00809-0100-4809 &/OR QUICK INSTALLATION GUIDE (QIG) 00825-0100-4585.
  - FIELD WELD. REFER TO INSTALLATION INSTRUCTIONS FOR WELD REQUIREMENTS.
  - MAXIMUM PRESSURE: ANSI CLASS 2500 (NOT AVAILABLE WITH ALL MATERIALS AND OPTIONS) CONSULT PRODUCT DATA SHEET FOR ADDITIONAL INFORMATION.
  - MAXIMUM TEMPERATURE: 1200 F (NOT AVAILABLE WITH ALL MATERIALS AND OPTIONS) CONSULT PRODUCT DATA SHEET FOR ADDITIONAL INFORMATION.
  - FOR MODEL SELECTIONS, REFER TO ROSEMOUNT PRODUCT DATA SHEETS.
  - ANNUBAR® PRIMARY FLOW ELEMENT IS ACCURATE ONLY WITH CORRECT SIZED, DRILLED, MOUNTING HOLE. NO TORCH CUT ALLOWED. SEE TABLE NO.2 / SHEET 2 FOR 'MHS' DIMENSIONS.
  - SEE SHEETS 2 & 3 TABLES 1 & 2 FOR ALL 'NAMED' DIMENSIONS.

NOTE: UNLESS OTHERWISE SPECIFIED ALL INFORMATION IS BOTH (TYP) & GENERAL TO STANDARD PRODUCT DESIGN ALL PIPE SECTIONS SHOWN FOR REFERENCE ONLY

|  |  |                   |         |  |            |
|--|--|-------------------|---------|--|------------|
| *UNLESS OTHERWISE SPECIFIED DIMENSIONS IN INCHES (MM)  |  | <b>TYPE I</b>     |         | <b>ROSEMOUNT®</b><br>BOULDER, COLORADO |            |
|  |  | DR. J.PAYLOR      | 2/4/09  |  |            |
| *ALL DIMENSIONS ARE NOMINAL AND ARE FOR REFERENCE ONLY |  | APPROVAL          |         | SIZE                                   | C          |
|  |  | DRAWING M.VINELLA | 3/24/09 | DRAWING NO.                            | 00585-1000 |
|  |  | TAGGING           |         | SCALE: NONE                            |            |
|  |  | SPECIALS          |         | SHEET                                  | 1 OF 6     |

TABLE 1: DIMENSIONAL INFORMATION  
SENSOR SIZE 11

| SENSOR SIZE | FLANGE TYPE | PRESSURE CLASS | MOUNTING SIZE | ODF (1 &/OR 2)  | BFT            | ODH (REMOTE-MOUNT) | ODH (DIRECT-MOUNT) | ODP (FLANGED OPP SIDE SUPPORT) | ODP (WELDED OPP SIDE SUPPORT) | ODP (NPT OPP SIDE SUPPORT) | SIZE (OF OPP SIDE FTG.S) | Ø 'O'        |
|-------------|-------------|----------------|---------------|-----------------|----------------|--------------------|--------------------|--------------------------------|-------------------------------|----------------------------|--------------------------|--------------|
| 11          | ANSI RF     | 150#           | 1-1/2" S80    | 3.88<br>(98.6)  | .69<br>(17.5)  | 9.7<br>(246.4)     | 10.0<br>(254.0)    | 5.6<br>(142)                   | 2.9<br>(74)                   | 3.1<br>(79)                | 1"<br>3000#              | 5.0<br>(127) |
|             |             | 300#           |               | 4.13<br>(104.9) | .81<br>(20.6)  | 10.1<br>(256.5)    | 10.4<br>(264.2)    | 5.9<br>(150)                   |                               |                            |                          | 6.1<br>(155) |
|             |             | 600#           |               | 4.44<br>(112.8) | 1.13<br>(28.7) | 10.7<br>(271.8)    | 11.0<br>(279.4)    | 6.6<br>(168)                   |                               |                            |                          | 7.0<br>(178) |
|             |             | 900/1500#      |               | 4.94<br>(125.5) | 1.50<br>(38.1) | 11.6<br>(294.6)    | N/A                | 7.7<br>(196)                   |                               |                            |                          | 8.0<br>(203) |
|             |             | 2500#          |               | 6.76<br>(171.7) | 2.00<br>(50.8) | 13.9<br>(353.1)    | N/A                | 10.1<br>(257)                  |                               |                            |                          | 3.6<br>(91)  |
|             | ANSI RTJ    | 150#           | 1-1/2" S80    | 4.06<br>(103.1) | .88<br>(22.4)  | 10.1<br>(256.5)    | 10.4<br>(264.2)    | 3.1<br>(79)                    | 2.9<br>(74)                   | 3.1<br>(79)                | 1"<br>3000#              | 5.0<br>(127) |
|             |             | 300#           |               | 4.31<br>(109.5) | 1.00<br>(25.4) | 10.5<br>(266.7)    | 10.8<br>(274.3)    | 6.3<br>(160)                   |                               |                            |                          | 6.1<br>(155) |
|             |             | 600#           |               | 4.44<br>(112.8) | 1.13<br>(28.7) | 10.7<br>(271.8)    | 11.0<br>(279.4)    | 6.6<br>(168)                   |                               |                            |                          | 7.0<br>(178) |
|             |             | 900/1500#      |               | 4.94<br>(125.5) | 1.50<br>(38.1) | 11.6<br>(294.6)    | N/A                | 7.7<br>(196)                   |                               |                            |                          | 8.0<br>(203) |
|             |             | 2500#          |               | 6.81<br>(173.0) | 2.06<br>(52.3) | 14.0<br>(355.6)    | N/A                | 10.3<br>(262)                  |                               |                            |                          | 3.6<br>(91)  |
|             | DIN RF      | PN16           | 1-1/2" S80    | 3.21<br>(81.5)  | .71<br>(18.0)  | 9.1<br>(231.1)     | 9.4<br>(238.8)     | 4.9<br>(125)                   | 2.9<br>(74)                   | 3.1<br>(79)                | 1"<br>3000#              | 5.9<br>(150) |
|             |             | PN40           |               | 3.88<br>(98.6)  | 1.02<br>(26.0) | 10.0<br>(254.0)    | 10.3<br>(261.6)    | 5.9<br>(150)                   |                               |                            |                          | 6.7<br>(170) |
|             |             | PN100          |               |                 |                |                    |                    |                                |                               |                            |                          |              |

TABLE 2: SENSOR PROPERTIES

| SENSOR SIZE | SW SENSOR WIDTH | MHS (Ø MOUNTING HOLE) | WA (WIDTH ACCROSS INSTRUMENT CONNECTION) |
|-------------|-----------------|-----------------------|--|
| 11          | .80 (20)        | 7/8" (22)             | 3.8 (97)                                 |
| 22          | 1.20 (30)       | 1-5/16" (34)          | 4.1 (104)                                |
| 44          | 2.28 (58)       | 2-1/2" (64)           | 5.3 (135)                                |

TABLE 1: DIMENSIONAL INFORMATION  
SENSOR SIZE 22

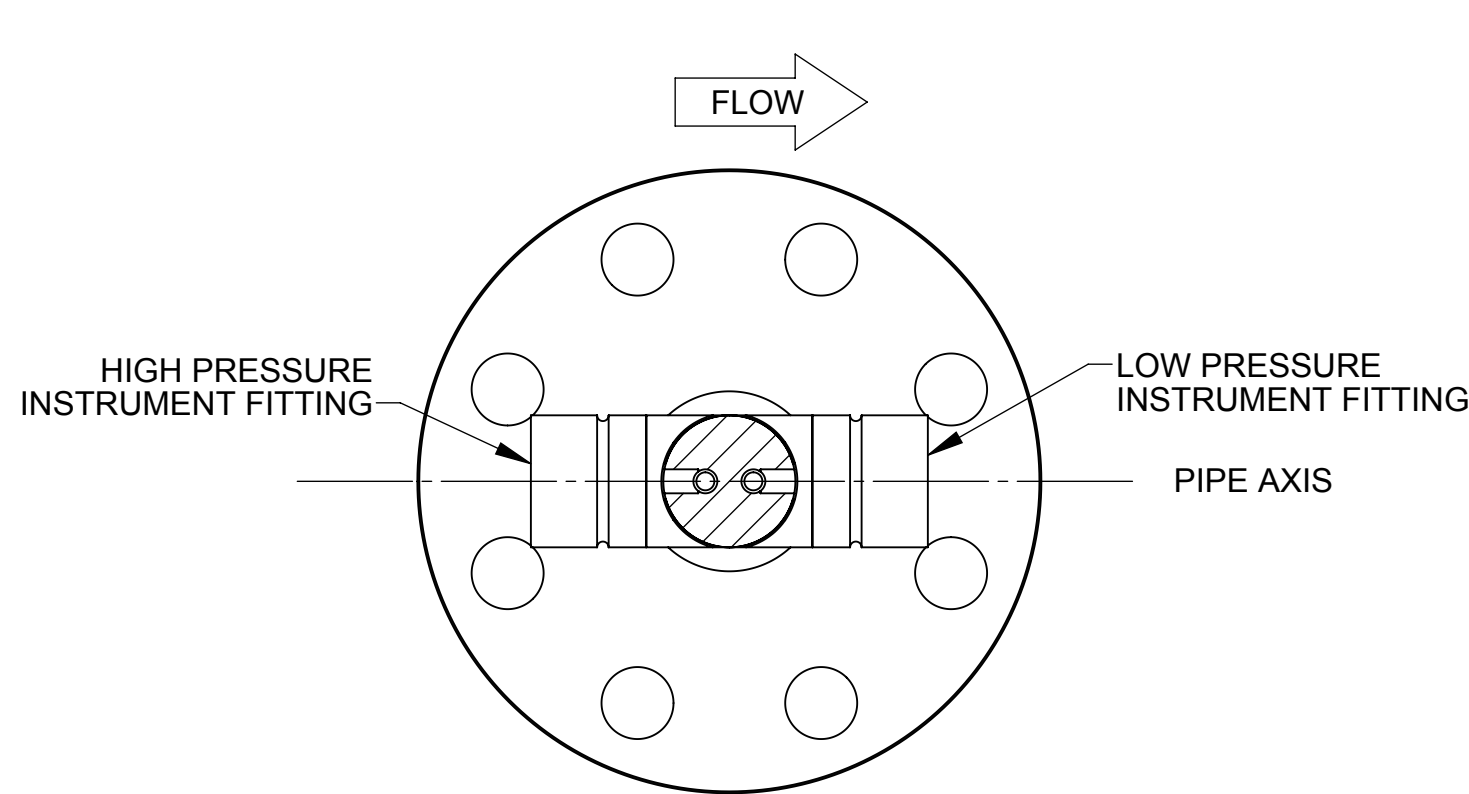
| SENSOR SIZE | FLANGE TYPE | PRESSURE CLASS | MOUNTING SIZE | ODF (1 &/OR 2)   | BFT            | ODH (REMOTE-MOUNT) | ODH (DIRECT-MOUNT) | ODP (FLANGED OPP SIDE SUPPORT) | ODP (WELDED OPP SIDE SUPPORT) | ODP (NPT OPP SIDE SUPPORT) | SIZE (OF OPP SIDE FTG.S) | Ø 'O'         |
|-------------|-------------|----------------|---------------|------------------|----------------|--------------------|--------------------|--------------------------------|-------------------------------|----------------------------|--------------------------|---------------|
| 22          | ANSI RF     | 150#           | 2" S80        | 4.12<br>(104.6)  | .75<br>(19.1)  | 10.0<br>(254.0)    | 10.3<br>(261.6)    | 5.8<br>(147)                   | 4.0<br>(102)                  | 4.5<br>(114)               | 1-1/2"<br>3000#          | 6.0<br>(152)  |
|             |             | 300#           |               | 4.38<br>(111.3)  | .88<br>(22.4)  | 10.4<br>(264.2)    | 10.7<br>(271.8)    | 6.1<br>(155)                   |                               |                            |                          | 6.5<br>(165)  |
|             |             | 600#           |               | 4.75<br>(120.7)  | 1.25<br>(31.8) | 11.1<br>(281.9)    | 11.4<br>(289.6)    | 6.9<br>(175)                   |                               |                            |                          | 8.5<br>(216)  |
|             |             | 900/1500#      |               | 5.88<br>(149.4)  | 1.75<br>(44.5) | 12.8<br>(325.1)    | N/A                | 8.8<br>(224)                   |                               |                            |                          | 12.0<br>(305) |
|             |             | 2500#          |               | 9.88<br>(251.0)  | 2.88<br>(73.2) | 17.9<br>(454.7)    | N/A                | 14.3<br>(363)                  |                               |                            |                          | 4.1<br>(104)  |
|             | ANSI RTJ    | 150#           | 2" S80        | 4.31<br>(109.5)  | .94<br>(23.9)  | 10.4<br>(264.2)    | 10.7<br>(271.8)    | 6.7<br>(170)                   | 4.0<br>(102)                  | 4.5<br>(114)               | 1-1/2"<br>3000#          | 6.0<br>(152)  |
|             |             | 300#           |               | 4.62<br>(117.3)  | 1.13<br>(28.7) | 11.0<br>(279.4)    | 11.3<br>(287.0)    | 7.1<br>(180)                   |                               |                            |                          | 6.5<br>(165)  |
|             |             | 600#           |               | 4.81<br>(122.2)  | 1.31<br>(33.3) | 11.3<br>(287.0)    | 11.6<br>(294.6)    | 7.1<br>(180)                   |                               |                            |                          | 8.5<br>(216)  |
|             |             | 900/1500#      |               | 5.94<br>(150.9)  | 1.81<br>(46.0) | 12.9<br>(327.7)    | N/A                | 8.9<br>(226)                   |                               |                            |                          | 12.0<br>(305) |
|             |             | 2500#          |               | 10.00<br>(254.0) | 3.00<br>(76.2) | 18.1<br>(459.7)    | N/A                | 14.5<br>(368)                  |                               |                            |                          | 4.1<br>(104)  |
|             | DIN RF      | PN16           | 2" S80        | 3.40<br>(86.4)   | .71<br>(18.0)  | 9.2<br>(233.7)     | 9.5<br>(241.3)     | 5.0<br>(127)                   | 4.0<br>(102)                  | 4.5<br>(114)               | 1-1/2"<br>3000#          | 6.5<br>(165)  |
|             |             | PN40           |               | 3.51<br>(89.2)   | .79<br>(20.1)  | 9.4<br>(238.8)     | 9.7<br>(246.4)     | 5.2<br>(132)                   |                               |                            |                          | 7.7<br>(196)  |
|             |             | PN100          |               | 4.30<br>(109.2)  | 1.10<br>(27.9) | 10.5<br>(266.7)    | 10.8<br>(274.3)    | 6.3<br>(160)                   |                               |                            |                          |               |

**ROSEMOUNT®**  
BOULDER, COLORADO

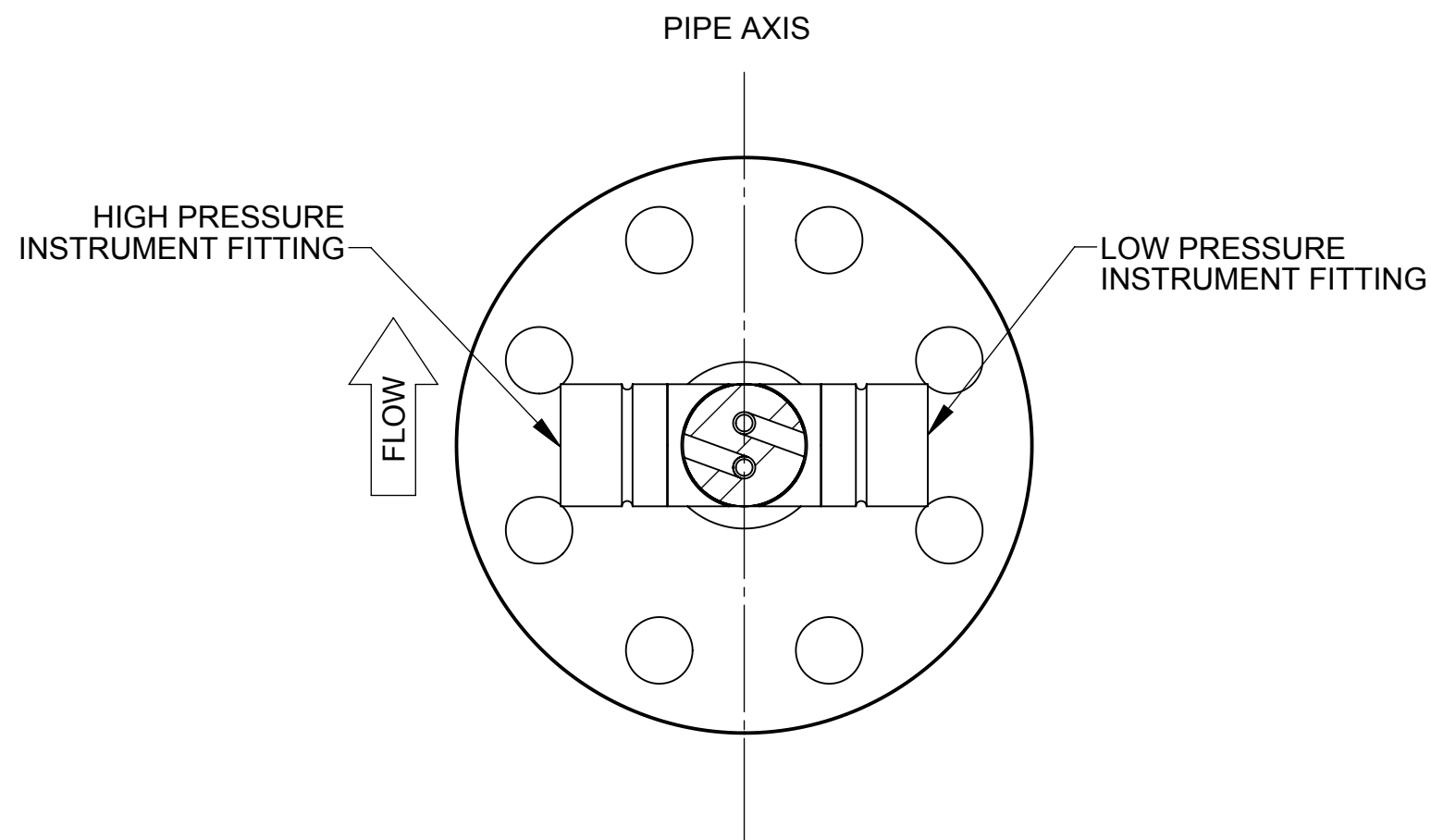
|            |          |                        |
|------------|----------|------------------------|
| SIZE A     | FSCM.NO. | DRAWING NO. 00585-1000 |
| SCALE: 1:2 | WT.      | SHEET: 2 of 6          |

TABLE 1: DIMENSIONAL INFORMATION  
SENSOR SIZE 44

| SENSOR SIZE | FLANGE TYPE | PRESSURE CLASS | MOUNTING SIZE | ODF (1 &/OR 2)   | BFT            | ODH (REMOTE-MOUNT) | ODH (DIRECT-MOUNT) | ODP (FLANGED OPP SIDE SUPPORT) | ODP (WELDED OPP SIDE SUPPORT) | ODP (NPT OPP SIDE SUPPORT) | SIZE (OF OPP SIDE FTG.S) | Ø 'O'         |
|-------------|-------------|----------------|---------------|------------------|----------------|--------------------|--------------------|--------------------------------|-------------------------------|----------------------------|--------------------------|---------------|
| 44          | ANSI RF     | 150#           | 3" S40        | 4.62<br>(117.4)  | .94<br>(23.9)  | 10.7<br>(271.8)    | 13.7<br>(348.0)    | 6.6<br>(168)                   | 3.9<br>(99)                   | N/A                        | 3" S80                   | 7.5<br>(191)  |
|             |             | 300#           |               | 5.00<br>(127.0)  | 1.13<br>(28.7) | 11.3<br>(287.0)    | 14.3<br>(363.2)    | 7.1<br>(180)                   |                               |                            |                          | 8.3<br>(211)  |
|             |             | 600#           |               | 5.38<br>(136.7)  | 1.50<br>(38.1) | 12.0<br>(304.8)    | 15.0<br>(381.0)    | 7.9<br>(201)                   |                               |                            |                          | 11.5<br>(292) |
|             |             | 900#           | 4" XXH        | 8.19<br>(208.0)  | 2.00<br>(50.8) | 15.3<br>(388.6)    | N/A                | 11.6<br>(295)                  |                               |                            | 12.3<br>(312)            |               |
|             |             | 1500#          |               | 8.56<br>(217.4)  | 2.38<br>(60.5) | 16.1<br>(408.9)    | N/A                | 12.4<br>(315)                  |                               |                            | 14.0<br>(356)            |               |
|             |             | 2500#          |               | 11.19<br>(284.2) | 3.25<br>(82.6) | 19.6<br>(497.8)    | N/A                | 16.2<br>(412)                  |                               |                            | 14.0<br>(356)            |               |
|             | ANSI RTJ    | 150#           | 3" S40        | 4.81<br>(122.2)  | 1.13<br>(28.7) | 11.2<br>(284.5)    | 14.2<br>(360.7)    | 7.0<br>(178)                   | 3.9<br>(99)                   | N/A                        | 3" S80                   | 7.5<br>(191)  |
|             |             | 300#           |               | 5.25<br>(133.4)  | 1.38<br>(35.1) | 11.8<br>(299.7)    | 14.8<br>(375.9)    | 7.7<br>(196)                   |                               |                            |                          | 8.3<br>(211)  |
|             |             | 600#           |               | 5.44<br>(138.2)  | 1.56<br>(39.6) | 12.2<br>(309.9)    | 15.2<br>(386.1)    | 8.1<br>(206)                   |                               |                            |                          | 8.3<br>(211)  |
|             |             | 900#           | 4" XXH        | 8.25<br>(209.6)  | 2.06<br>(52.2) | 15.5<br>(393.7)    | N/A                | 11.7<br>(297)                  |                               |                            | 11.5<br>(292)            |               |
|             |             | 1500#          |               | 8.63<br>(219.2)  | 2.44<br>(62.0) | 16.2<br>(411.5)    | N/A                | 12.6<br>(320)                  |                               |                            | 12.3<br>(312)            |               |
|             |             | 2500#          |               | 11.38<br>(289.1) | 3.44<br>(87.4) | 20.0<br>(508.0)    | N/A                | 16.6<br>(422)                  |                               |                            | 14.0<br>(356)            |               |
|             | DIN RF      | PN16           | 3" S40        | 3.84<br>(97.5)   | .79<br>(20.0)  | 9.8<br>(248.9)     | 12.8<br>(325.1)    | 5.6<br>(142)                   | 3.9<br>(99)                   | N/A                        | 3" S80                   | 7.9<br>(201)  |
|             |             | PN40           |               | 4.16<br>(105.7)  | .95<br>(24.0)  | 10.2<br>(259.1)    | 13.2<br>(353.3)    | 6.1<br>(155)                   |                               |                            |                          | 9.1<br>(231)  |
|             |             | PN100          |               | 4.95<br>(125.7)  | 1.26<br>(32.0) | 11.3<br>(287.0)    | 14.3<br>(363.2)    | 7.2<br>(183)                   |                               |                            |                          |               |

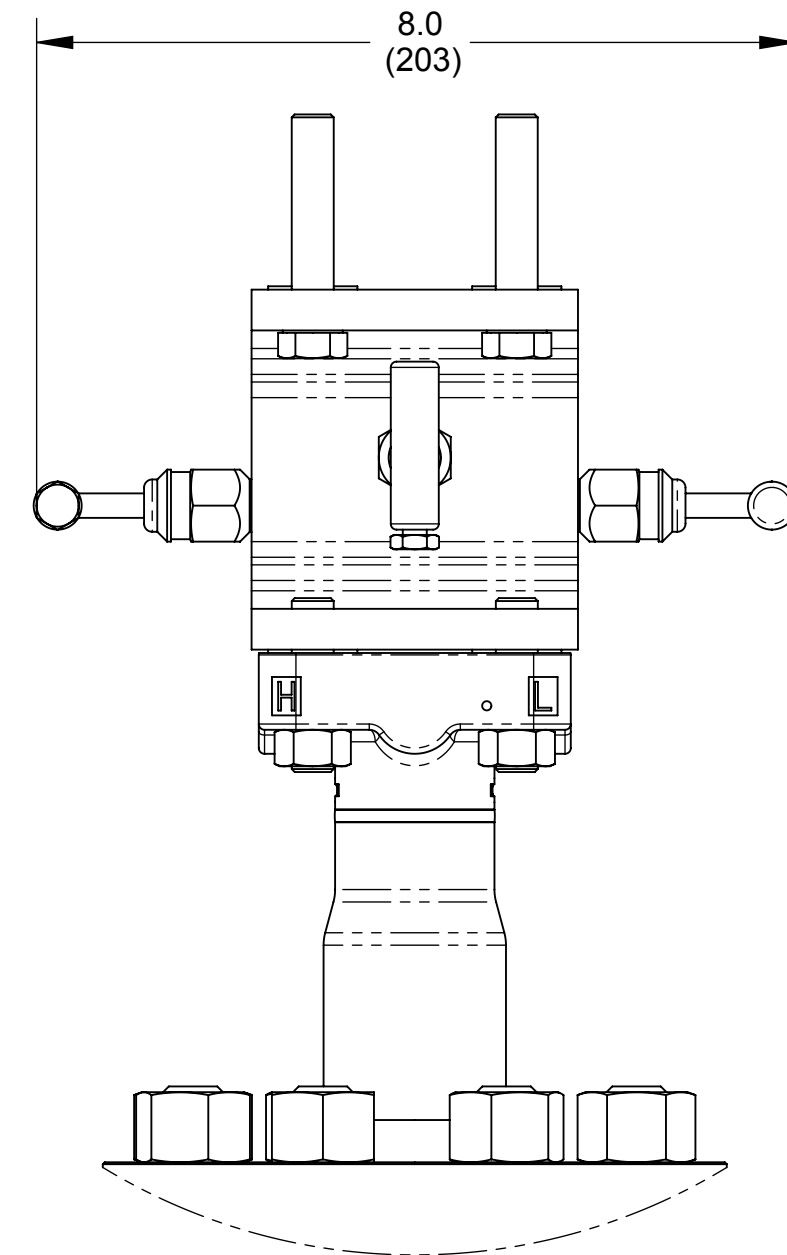
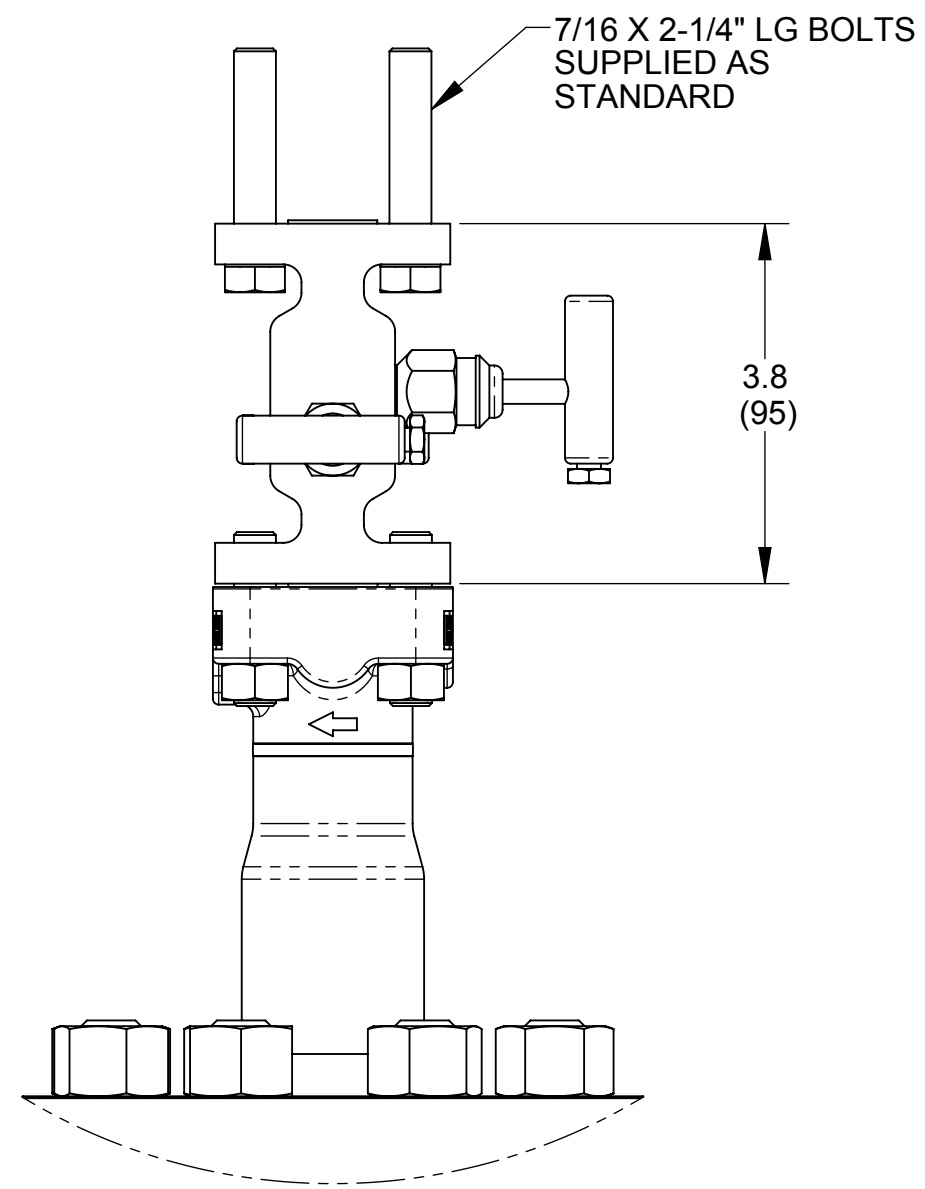


**REMOTE-MOUNT HEAD FOR HORIZONTAL LINES**

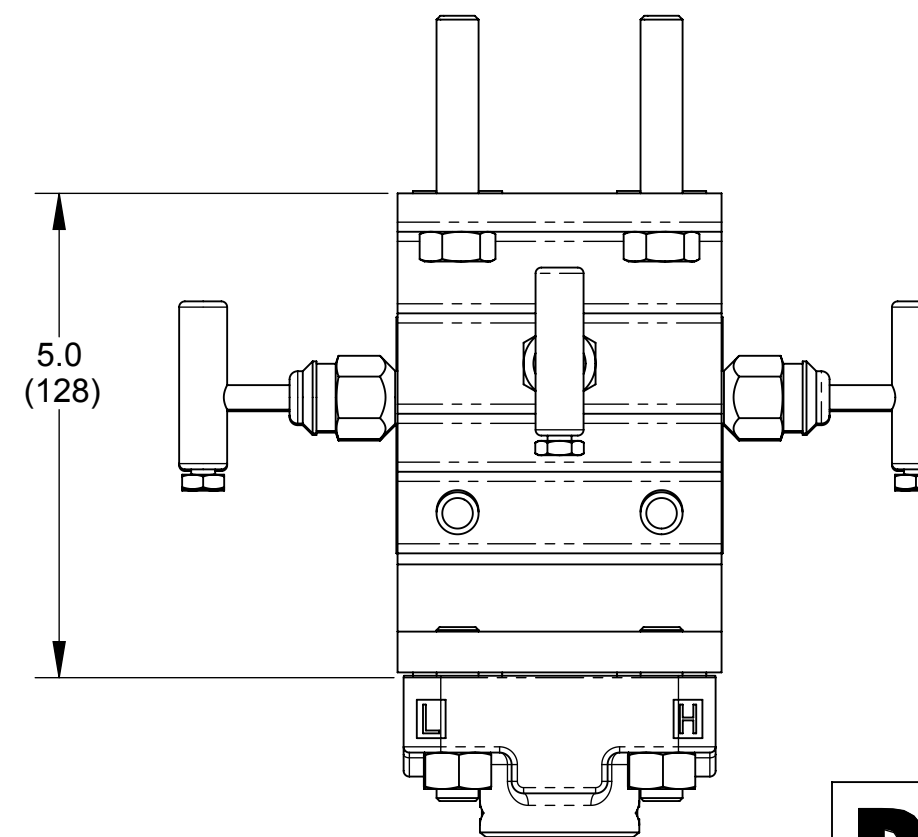
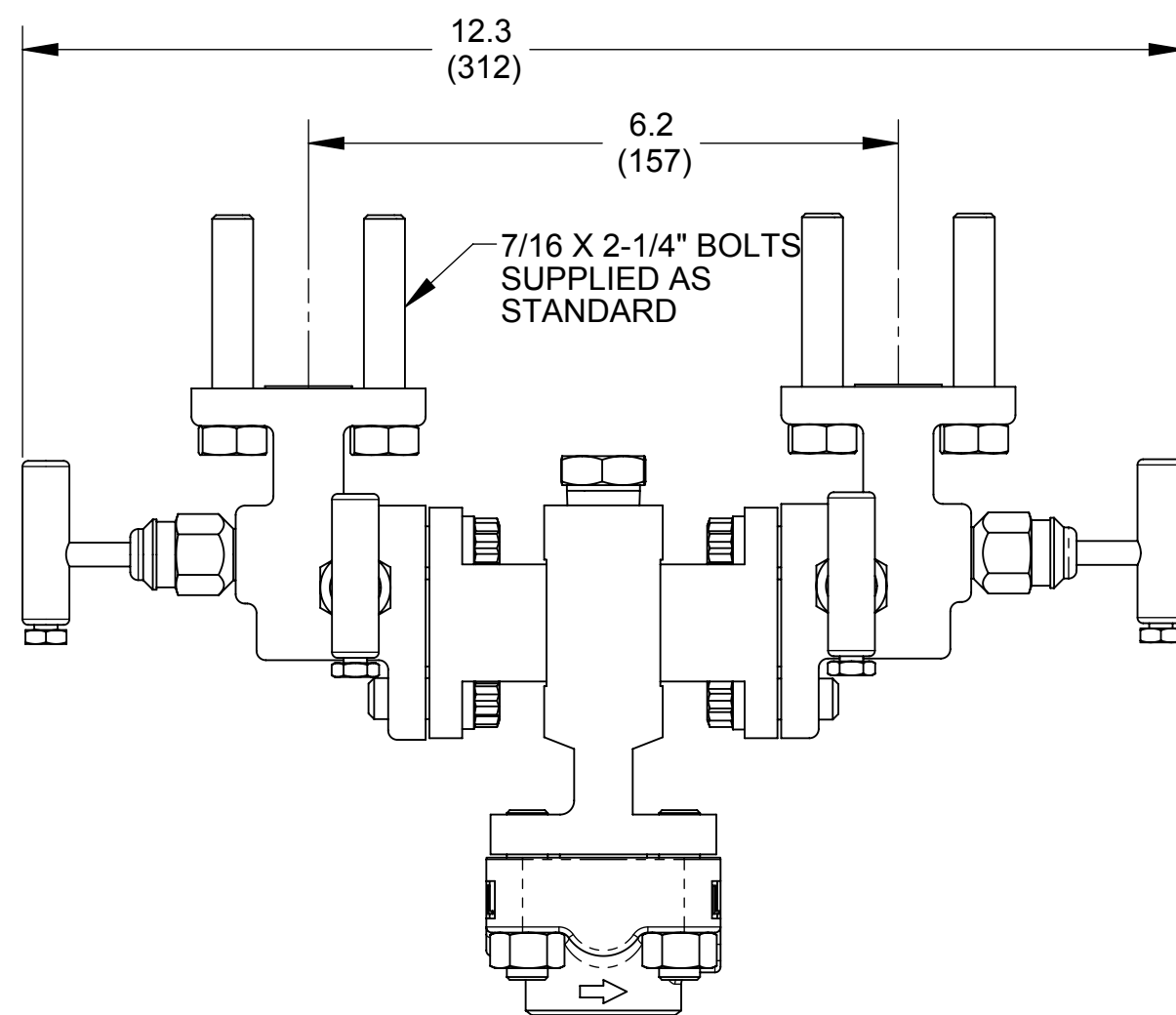


**REMOTE-MOUNT HEAD FOR VERTICAL LINES**

|                   |          |                                  |
|-------------------|----------|----------------------------------|
| <b>ROSEMOUNT®</b> |          |                                  |
| BOULDER, COLORADO |          |                                  |
| SIZE<br>A         | FSCM.NO. | DRAWING NO.<br><b>00585-1000</b> |
| SCALE: 1:2        | WT.      | SHEET: 3 of 6                    |

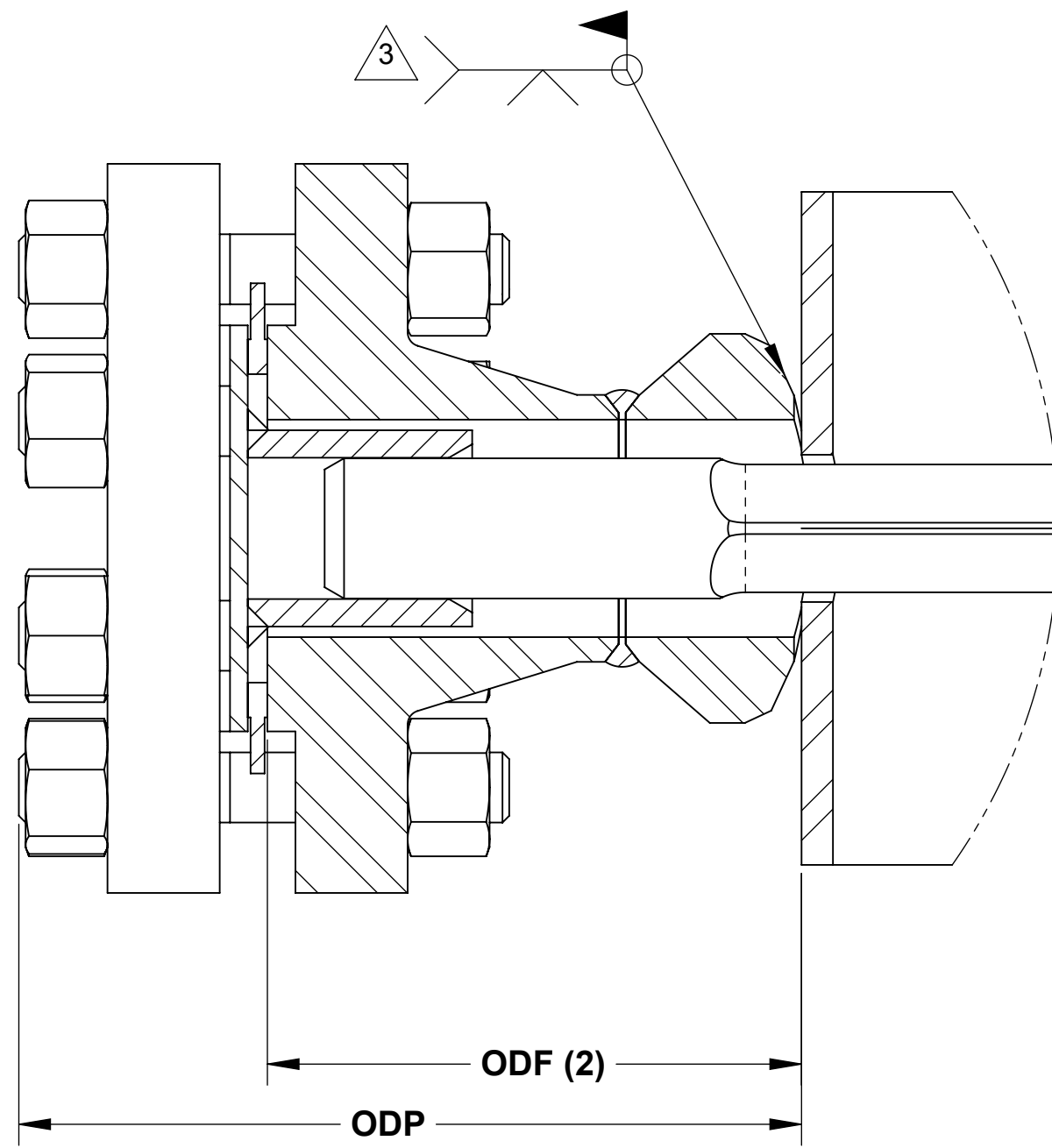


**DIRECT-MOUNT HEAD WITH 3-VALVE OR 5-VALVE MANIFOLD**  
 (3-VALVE MANIFOLD SHOWN) (CONFIGURATION IDENTICAL FOR HORIZONTAL AND VERTICAL LINES)  
 (AVAILABLE FOR PRESSURE RATINGS UP TO ANSI 600/DIN PN100 ONLY)

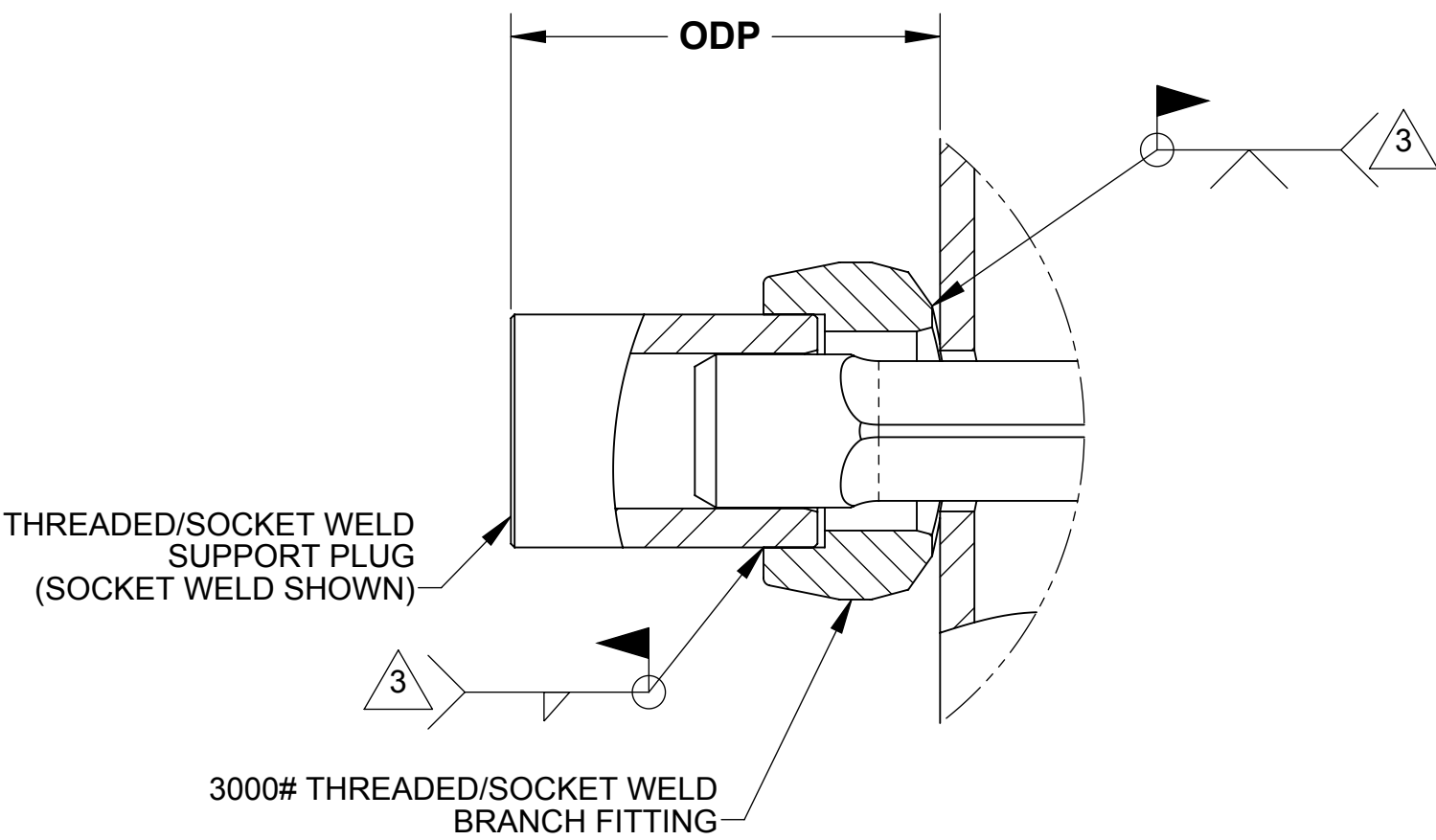


**BI-DIRECTIONAL/REDUNDANT DIRECT-MOUNT HEAD WITH DUAL 3-VALVE MANIFOLD**  
 (CONFIGURATION IDENTICAL FOR HORIZONTAL AND VERTICAL LINES)  
 (AVAILABLE FOR PRESSURE RATINGS UP TO ANSI 600/DIN PN100 ONLY)

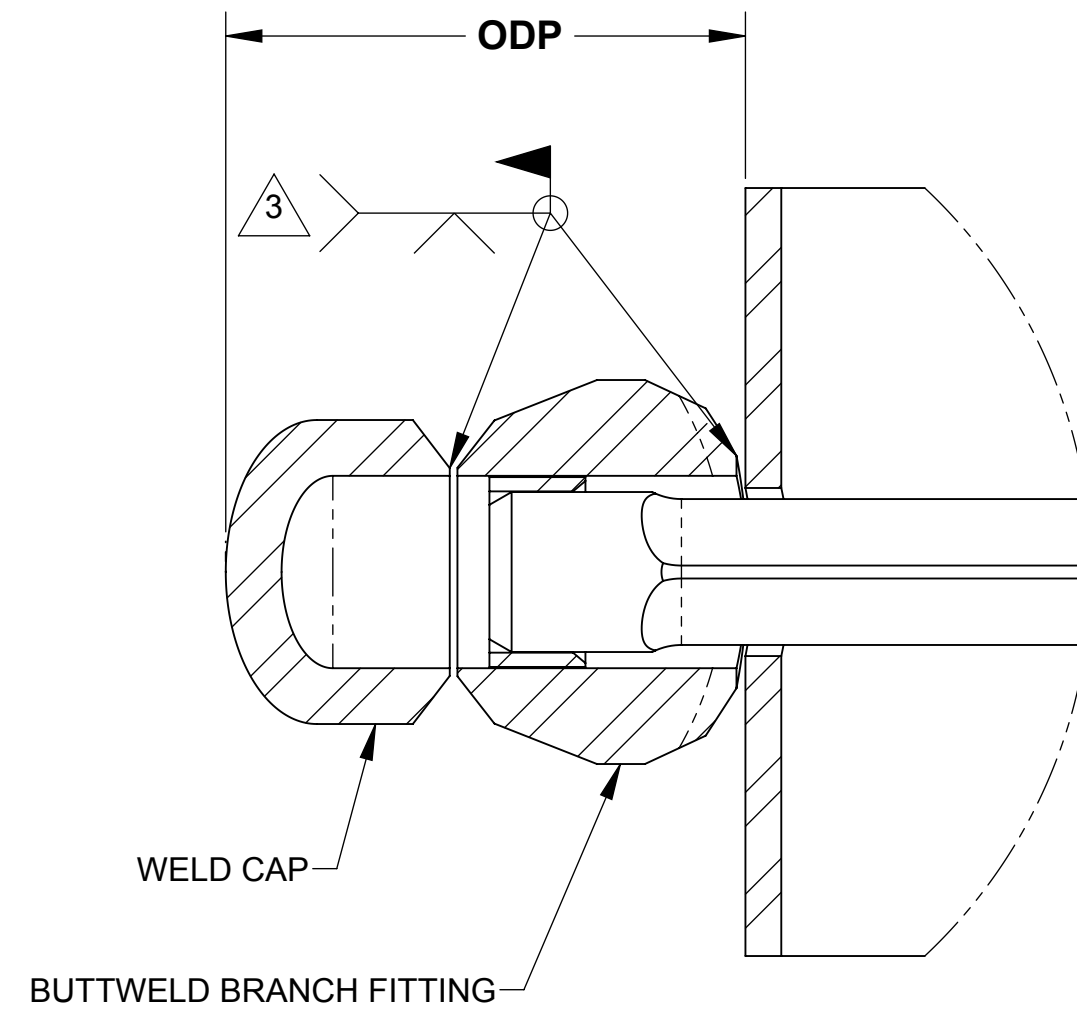
|                   |          |               |            |
|-------------------|----------|---------------|------------|
| <b>ROSEMOUNT®</b> |          |               |            |
| BOULDER, COLORADO |          |               |            |
| SIZE<br>A         | FSCM.NO. | DRAWING NO.   | 00585-1000 |
| SCALE: 1:2        | WT.      | SHEET: 4 of 6 |            |



**FLANGED OPPOSITE SIDE SUPPORT OPTION**  
 (FLANGE SIZE, RATING & ODF DIMENSION MATCHES THAT OF TOPSIDE MOUNTING)

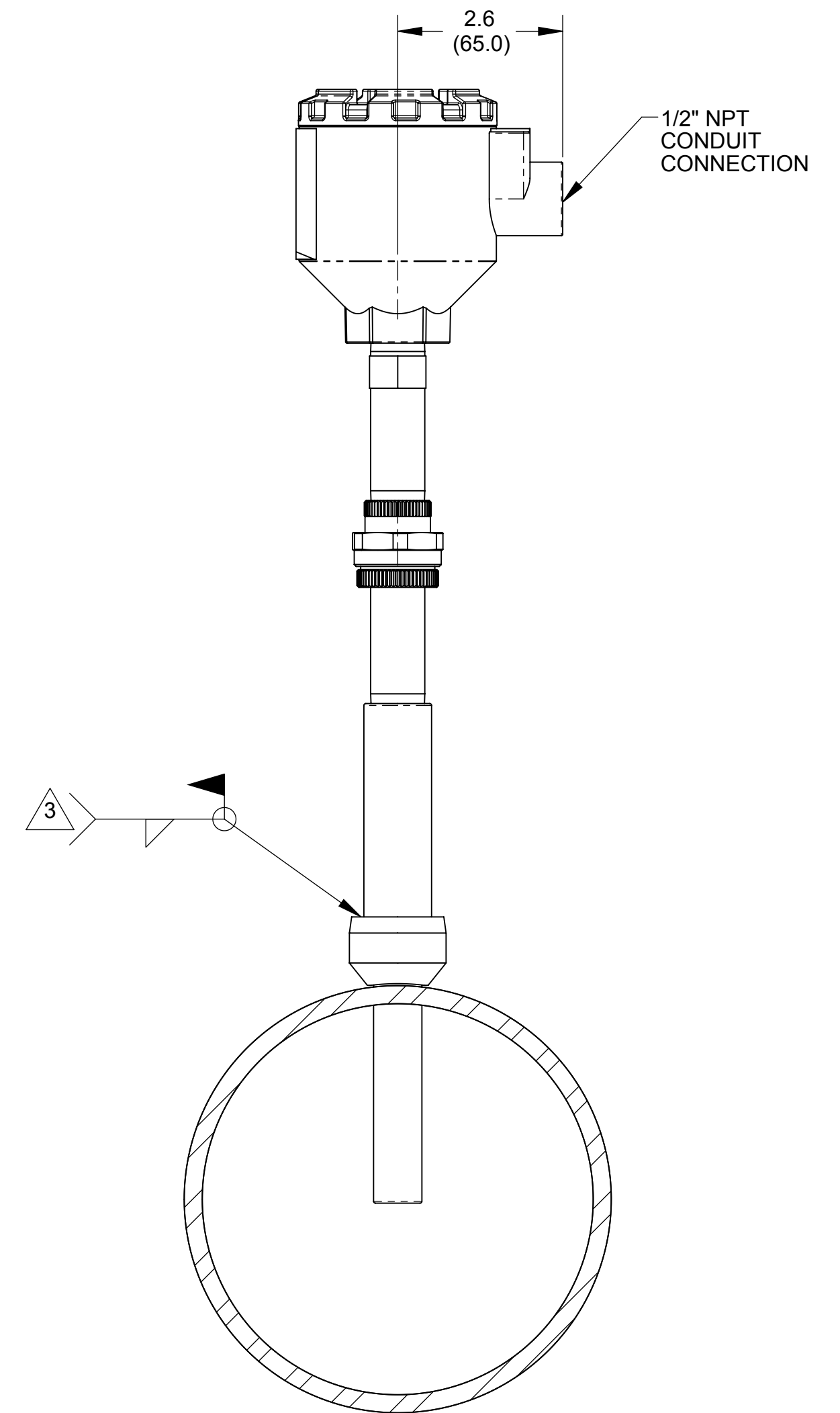
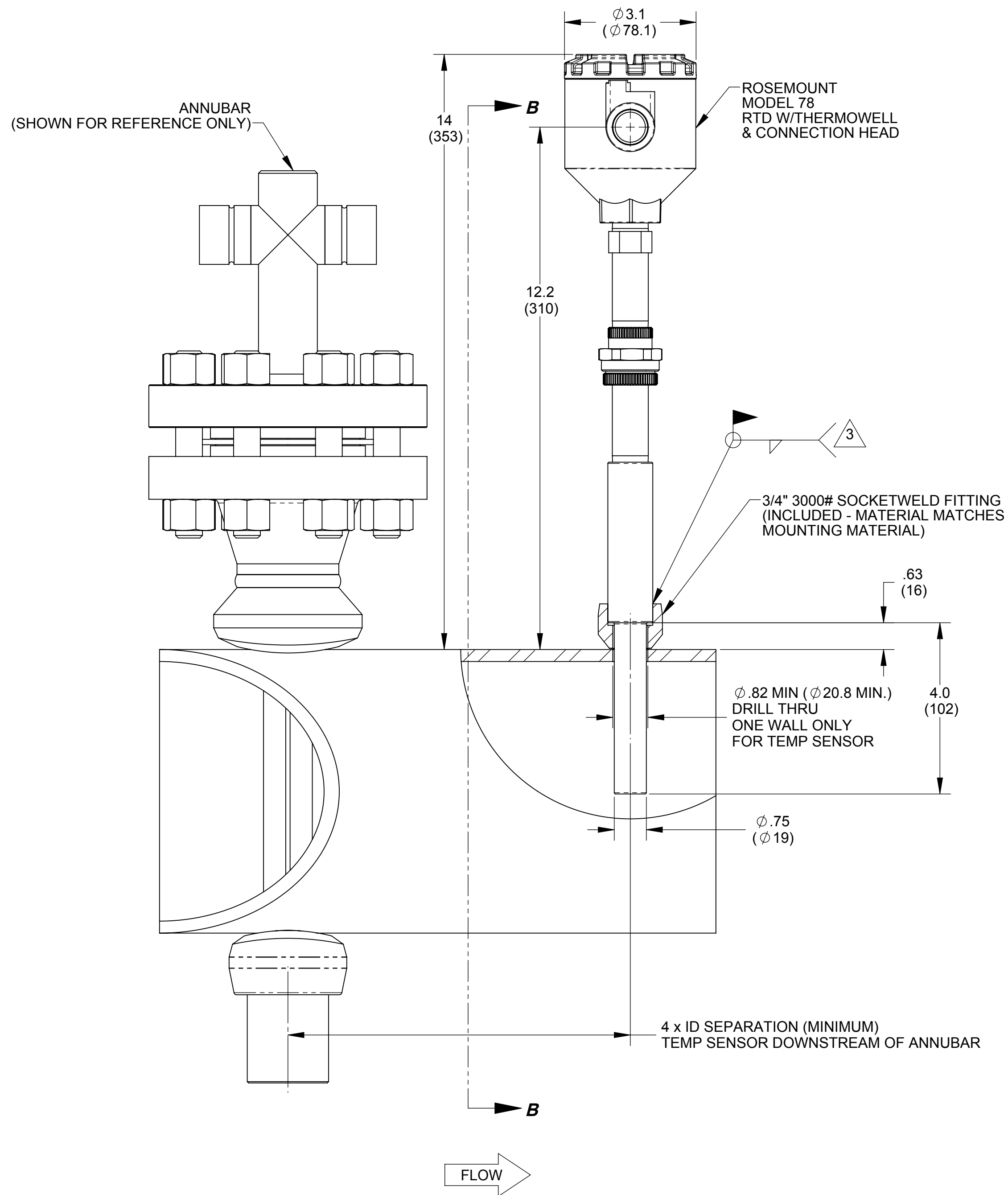


**THREADED/SOCKET WELD OPPOSITE SUPPORT DETAIL**  
 (APPLICABLE TO ALL SENSOR SIZE 11 & 22 IN PRESSURE CLASS 1500# & UNDER)  
 (NOTE: SOCKET WELD VERSION SHOWN)



**WELDED OPPOSITE SUPPORT DETAIL**  
 (APPLICABLE TO ALL SENSOR SIZE 44)  
 (APPLICABLE TO SENSOR SIZE 11 AND 22 WITH 2500# RATING)

|                   |          |               |            |
|-------------------|----------|---------------|------------|
| <b>ROSEMOUNT®</b> |          |               |            |
| BOULDER, COLORADO |          |               |            |
| SIZE<br>A         | FSCM.NO. | DRAWING NO.   | 00585-1000 |
| SCALE: 1:2        | WT.      | SHEET: 5 of 6 |            |



**REMOTE TEMPERATURE SENSOR  
(AVAILABLE FOR UP TO 1500# PRESSURE RATING)**

|                   |          |                                  |
|-------------------|----------|----------------------------------|
| <b>ROSEMOUNT®</b> |          |                                  |
| BOULDER, COLORADO |          |                                  |
| SIZE<br>A         | FSCM.NO. | DRAWING NO.<br><b>00585-1000</b> |
| SCALE: 1:2        | WT.      | SHEET: 6 of 6                    |