



Scully Sockets: Truck Mounted Overfill Prevention System Connectors

Featuring Complete Loading Rack Compatibility

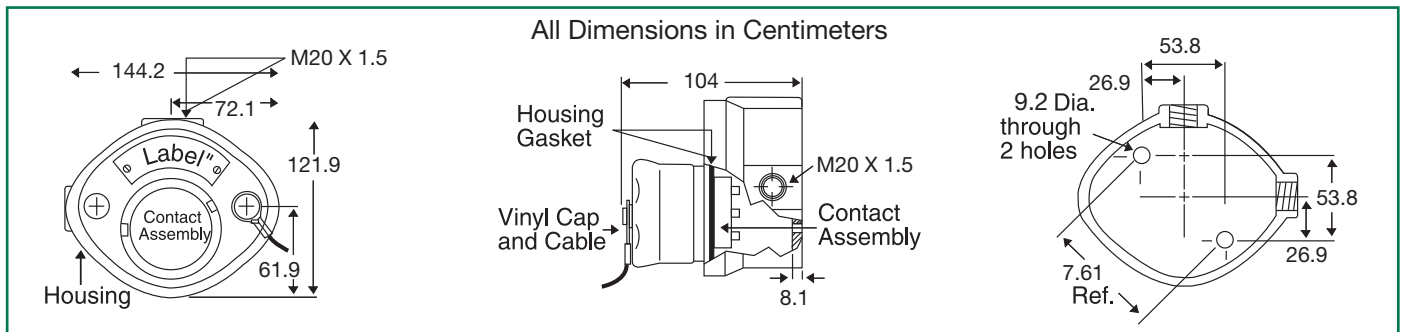


DESCRIPTION

Scully Sockets are part of a complete vehicle mounted overfill prevention and grounding system. With over 90% of loading racks using Scully Overfill Prevention Control Systems, Scully sockets offer you the compatibility you need at any terminal. The style of the plug at each facility that your vehicles load at should be considered to ensure a compatible connection. Truck-mounted, they connect to the Scully Sensors or IntelliCheck® onboard monitor and the terminal loading rack overfill monitor via the terminal plug. With durable construction and stainless steel contact pins, they are made to withstand harsh weather and road conditions.

FEATURES AND BENEFITS

- Designs which meet API (American Petroleum Institute) standards for optic and thermistor systems.
- Compatible with Scully loading rack overfill prevention controls- the #1 choice worldwide.
- Socket styles for compatibility with all loading rack plug styles.
- Durable construction to withstand the rigors of road travel.
- Stainless steel contact pins for long-lasting performance.
- Easy gripping vinyl protective cap included.
- Internal mounting holds and M20 X 1.5 threaded conduit entry holes for ease and flexibility during installation.



TECHNICAL SPECIFICATIONS

Materials: Socket body: Die cast zinc
Housing: Zinc/aluminum alloy
Insulator: Glass filled polycarbonate
Dust cap: Molded vinyl

Conduit Entry: Two M20 X 1.5 threaded entry holes

Contacts: Scully style stainless steel
SAE J560 style: zinc plated brass

Connections: Provided by screw terminals

Size: Refer to diagram

Weight: 2.2 kg (.4.8 lbs.)



60674_BE Rev A

Scully Sockets: Truck Mounted Overfill Prevention System Connectors

INTERNATIONAL
PRODUCT
LINE

ORDERING INFORMATION

Scully sockets are designed for use with Scully 5 wire and 2 wire optic sensors and IntelliCheck® Overfill Prevention Systems. When ordering sockets, determine the style of plug and type of overfill prevention control system at each terminal where your tank trucks load.

Scully 5-Wire Optic Sockets



SJ-OB 5-Wire
Optic Socket
10 Pin
Part# 08509



SJ-6W 5-Wire
Optic Socket,
6 Pin
Part# 08813



FGE SJ-6W
5-Wire Optic Socket,
6 Pin,
Pressure Switch
Part# 09361



FGE SJ-OB
5-Wire Optic
Socket, 10 Pin,
Pressure Switch
Part# 09364

Scully 2-Wire Optic Socket



SJ-8OB 2-Wire
Optic Socket,
10 Pin
Part# 08646

Scully Thermistor Socket



SJ-8B
Thermistor Socket, 10 Pin,
M20 X 1.5 Entry Holes
Part# 08661

Replacement Parts Description	Part Number
<i>each front plate assembly includes: faceplate, contact insert assembly, gasket, vinyl cap & hardware</i>	
Front Plate Assembly, SJ-6W Socket, 6 Pin	21790
Front Plate Assembly, SJ-8B Socket, 10 Pin	22321
Front Plate Assembly, SJ-8OB Socket, 10 Pin	31276
Front Plate Assembly, SJ-OB Socket, 10 Pin	31900
Cap & Cable Assembly, Blue Vinyl	08575
Cap & Cable Assembly, Green Vinyl	08574
Contact Insert Assembly, 10 Pin	20759
Contact Insert Assembly, 6 Pin	21771
Faceplate & Label, SJ-8B (no contact assembly)	08512
Faceplate & Label, SJ-8OB (no contact assembly)	08645
Gasket, Neoprene, Socket Housing	20628
Housing, all socket models, M20 X 1.5 Entry Holes	31314
Replacement Pin & Screws	07783
Wire Pin Kit, Bag of 10 pieces	08318

Copyright © 2016 Scully Signal Company. Dynacheck, Dynamic Self-Checking, Dynamic Self-Testing, Faylsafe, Instant-On, IntelliCheck, Intellitrol, Load-Anywhere, are registered trademarks of Scully Signal Company. All Rights Reserved. Specifications are subject to change without notice.

60674_BE Rev A
June 2016



Scully Signal Company
70 Industrial Way
Wilmington, MA 01887, USA
800 272 8559 • sales@scully.com

Scully Systems Europe NV
Maanstraat 25
2800 Mechelen, Belgium
+32 (0) 15 56 00 70 • info@scully.be

Scully UK Ltd
Meridian House, Unit 33
37 Road One Winsford Industrial Estate,
Winsford Cheshire CW7 3QG, UK
+44 (0) 1606 553805 • sales@scullyuk.com

