



Pneumatic Spring Return Automated Ball Valve Package

Series 77
Sanitary End
3-Piece Ball Valve

Sizes 1/2"-4"

800/1000 PSI WOG (by size)

Available in 316L

Cavity Filled and Non-Cavity Filled

Sanitary Clamp Ends or
Tube OD Ends

Tube Pipe Design

Superior Live Loaded Packing
System

Blowout Proof Stem w/
Dual Anti-Static Devices

PTFE Seats standard

Pyramidal Stem Seal Design

STANDARDS

| | |
|---------------------------|-------------------------|
| Design | ANSI/ASME B16.34 |
| End Connections | ANSI/ASME BPE-1997/2000 |
| Pressure Testing | API 598 |
| Mounting | ISO 5211 |
| Marking System for Valves | MSS SP-25, ISO 5209 |
| CE Approval | PED 97/23/EC Module H |
| Safety Integrity | IEC 61508:2010; SIL 3 |
| Material Certification | EN 10204-3.1 MTR |
| Quality Assurance | ISO 9001:2008 |



DIMENSIONS (IN)

NON-CAVITY FILLED

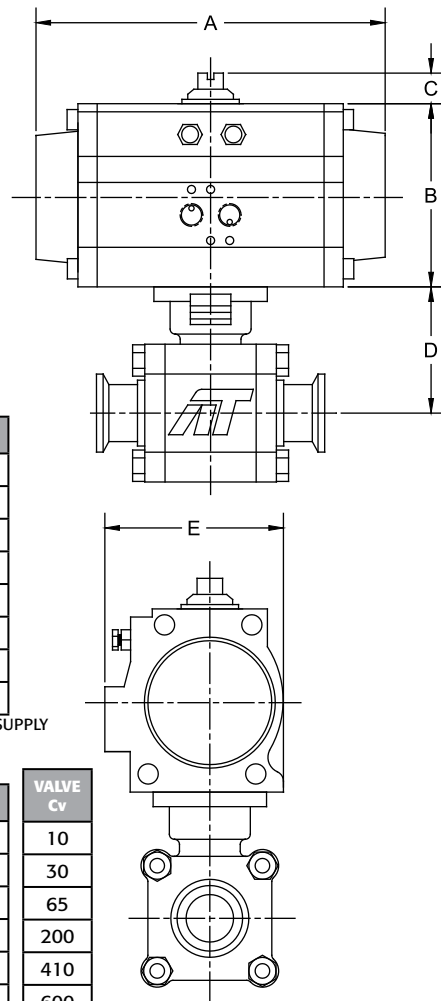
| VALVE SIZE | A | B | C | D | E |
|------------|-------|------|------|------|------|
| 1/2" | 7.95 | 3.43 | 0.79 | 1.66 | 3.29 |
| 3/4" | 9.29 | 4.49 | 0.79 | 1.89 | 4.41 |
| 1" | 9.29 | 4.49 | 0.79 | 2.23 | 4.41 |
| 1-1/2" | 9.29 | 4.49 | 0.79 | 3.05 | 4.41 |
| 2" | 10.87 | 4.88 | 0.79 | 3.35 | 4.69 |
| 2-1/2" | 11.46 | 5.28 | 0.79 | 4.28 | 4.82 |
| 3" | 13.90 | 6.18 | 0.79 | 4.63 | 5.20 |
| 4" | 13.90 | 6.18 | 0.79 | 5.22 | 6.04 |

DIMENSIONS SHOWN ARE FOR ASSEMBLIES SIZED FOR 80 PSI SUPPLY

CAVITY FILLED

| VALVE SIZE | A | B | C | D | E | VALVE Cv |
|------------|-------|------|------|------|------|----------|
| 1/2" | 9.29 | 4.49 | 0.79 | 1.66 | 4.41 | 10 |
| 3/4" | 9.29 | 4.49 | 0.79 | 1.89 | 4.41 | 30 |
| 1" | 9.29 | 4.49 | 0.79 | 2.23 | 4.41 | 65 |
| 1-1/2" | 10.87 | 4.88 | 0.79 | 3.05 | 4.82 | 200 |
| 2" | 11.46 | 5.28 | 0.79 | 3.35 | 5.20 | 410 |
| 2-1/2" | 15.16 | 6.93 | 1.18 | 4.28 | 6.69 | 600 |
| 3" | 15.16 | 6.93 | 1.18 | 4.63 | 6.69 | 1,050 |
| 4" | 22.68 | 9.17 | 1.18 | 5.22 | 8.43 | 1,900 |

DIMENSIONS SHOWN ARE FOR ASSEMBLIES SIZED FOR 80 PSI SUPPLY



SERIES 77 Sanitary Ends

NON-CAVITY FILLED

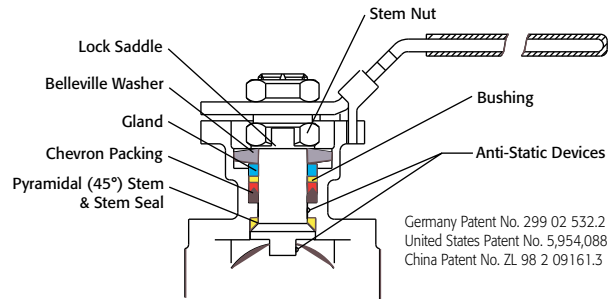
| SIZED FOR 80 psi AIR SUPPLY | |
|--------------------------------|-------------------|
| SIZE | MODEL |
| 1/2" | 77-C1-050/2R2S-XX |
| 3/4" | 77-C1-075/2R3S-XX |
| 1" | 77-C1-100/2R3S-XX |
| 1-1/2" | 77-C1-150/2R3S-XX |
| 2" | 77-C1-200/2R4S-XX |
| 2-1/2" | 77-C1-250/2R6S-XX |
| 3" | 77-C1-300/2R6S-XX |
| 4" | 77-C1-400/2R7S-XX |

| SIZED FOR 60 psi AIR SUPPLY | |
|--------------------------------|-------------------|
| SIZE | MODEL |
| 1/2" | 77-C1-050/2R2S-XX |
| 3/4" | 77-C1-075/2R3S-XX |
| 1" | 77-C1-100/2R3S-XX |
| 1-1/2" | 77-C1-150/2R3S-XX |
| 2" | 77-C1-200/2R4S-XX |
| 2-1/2" | 77-C1-250/2R6S-XX |
| 3" | 77-C1-300/2R6S-XX |
| 4" | 77-C1-400/2R7S-XX |

CAVITY FILLED

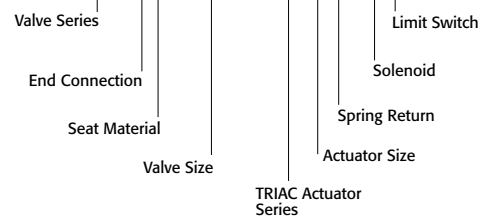
| SIZED FOR 80 psi AIR SUPPLY | |
|--------------------------------|-------------------|
| SIZE | MODEL |
| 1/2" | 77-CF-050/2R3S-XX |
| 3/4" | 77-CF-075/2R3S-XX |
| 1" | 77-CF-100/2R3S-XX |
| 1-1/2" | 77-CF-150/2R4S-XX |
| 2" | 77-CF-200/2R5S-XX |
| 2-1/2" | 77-CF-250/2R7S-XX |
| 3" | 77-CF-300/2R7S-XX |
| 4" | 77-CF-400/2R9S-XX |

| SIZED FOR 60 psi AIR SUPPLY | |
|--------------------------------|-------------------|
| SIZE | MODEL |
| 1/2" | 77-CF-050/2R3S-XX |
| 3/4" | 77-CF-075/2R3S-XX |
| 1" | 77-CF-100/2R3S-XX |
| 1-1/2" | 77-CF-150/2R4S-XX |
| 2" | 77-CF-200/2R5S-XX |
| 2-1/2" | 77-CF-250/2R7S-XX |
| 3" | 77-CF-300/2R7S-XX |
| 4" | 77-CF-400/2R9S-XX |



Germany Patent No. 299 02 532.2
United States Patent No. 5,954,088
China Patent No. ZL 98 2 09161.3

SAMPLE PART # 77-C1-050/2R2S-XX



See valve part number matrix for complete part number and options.

OPTIONS

| DESCRIPTION | SUFFIX | DESCRIPTION | SUFFIX |
|-----------------------------|--------|---------------------------------|--------|
| NEMA 4 Solenoid | (A) | NEMA 4 Limit Switch (2) spdt | (A) |
| NEMA 7 Solenoid | (B) | NEMA 7 Limit Switch (2) spdt | (B) |
| Intrinsically Safe Solenoid | (C) | Intrinsically Safe Limit Switch | (C) |

Other options available - call for details
Actuators are sized based on clean/clear fluid.



9955 International Blvd.
Cincinnati, Ohio 45246
www.atcontrols.com

PHONE (513) 247-5465
FAX (513) 247-5462
sales@atcontrols.com