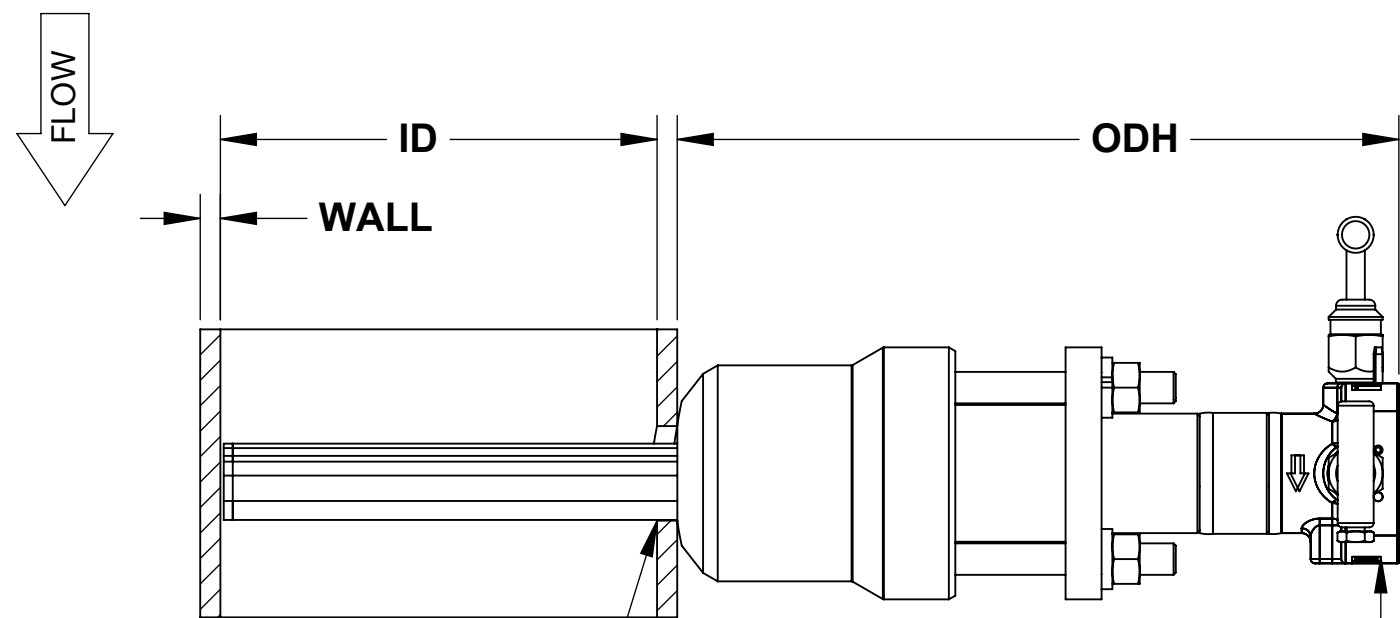
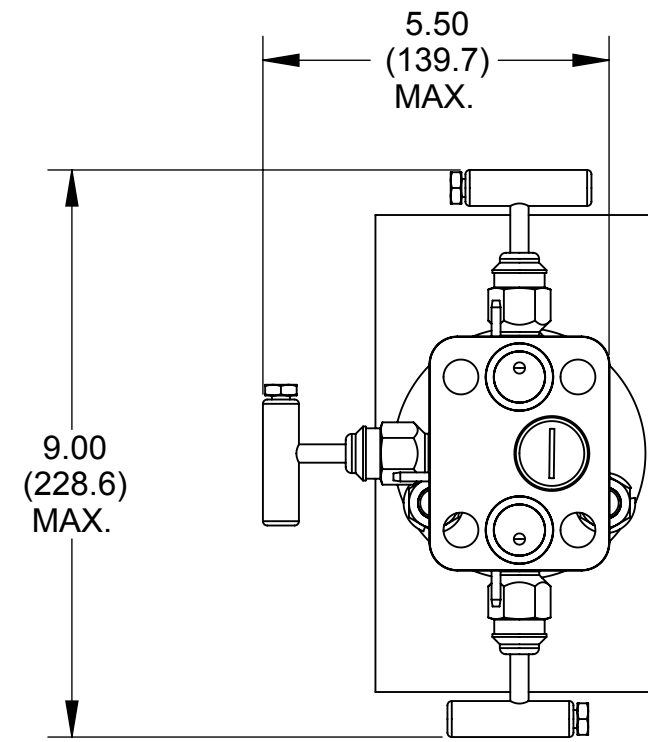
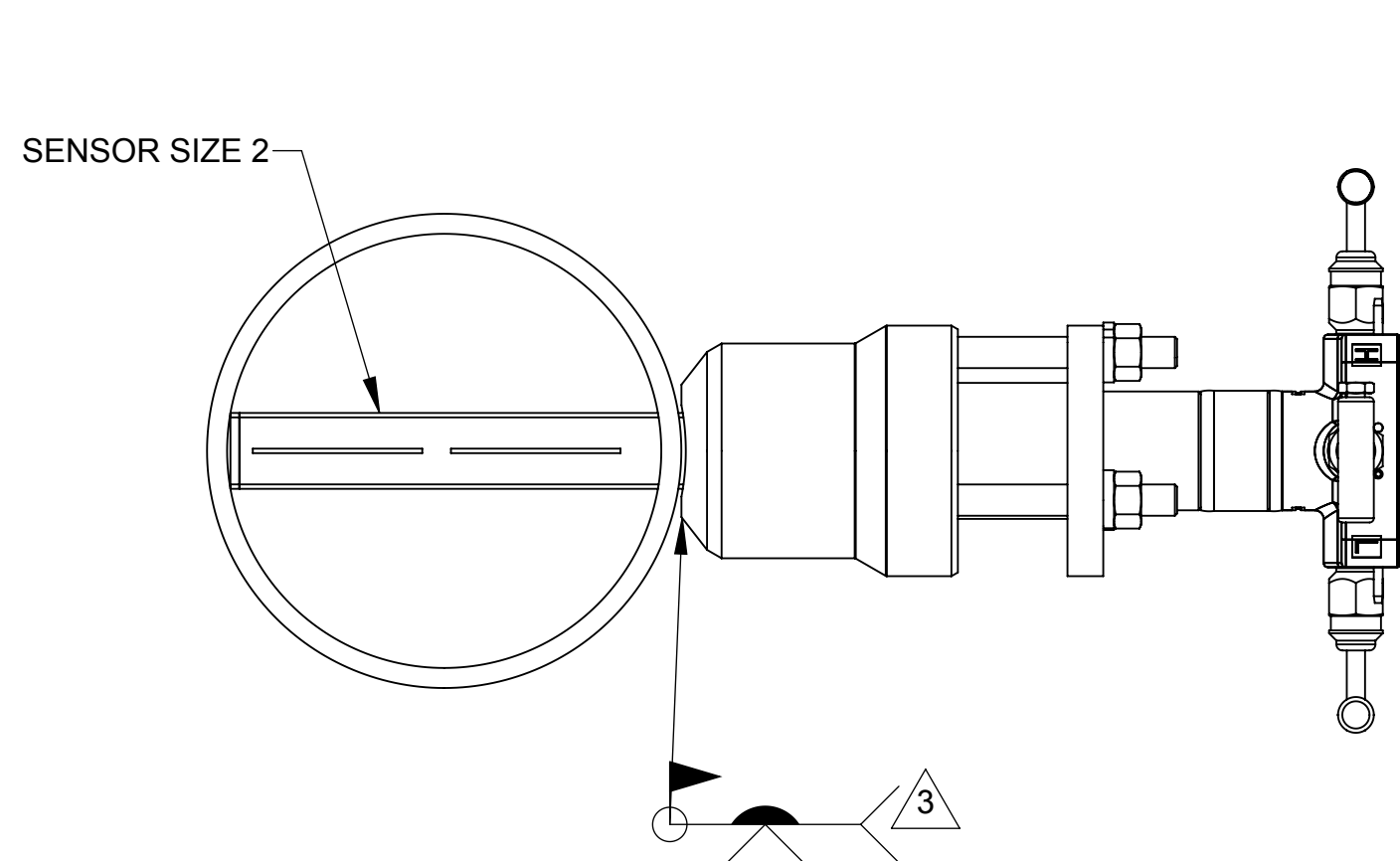
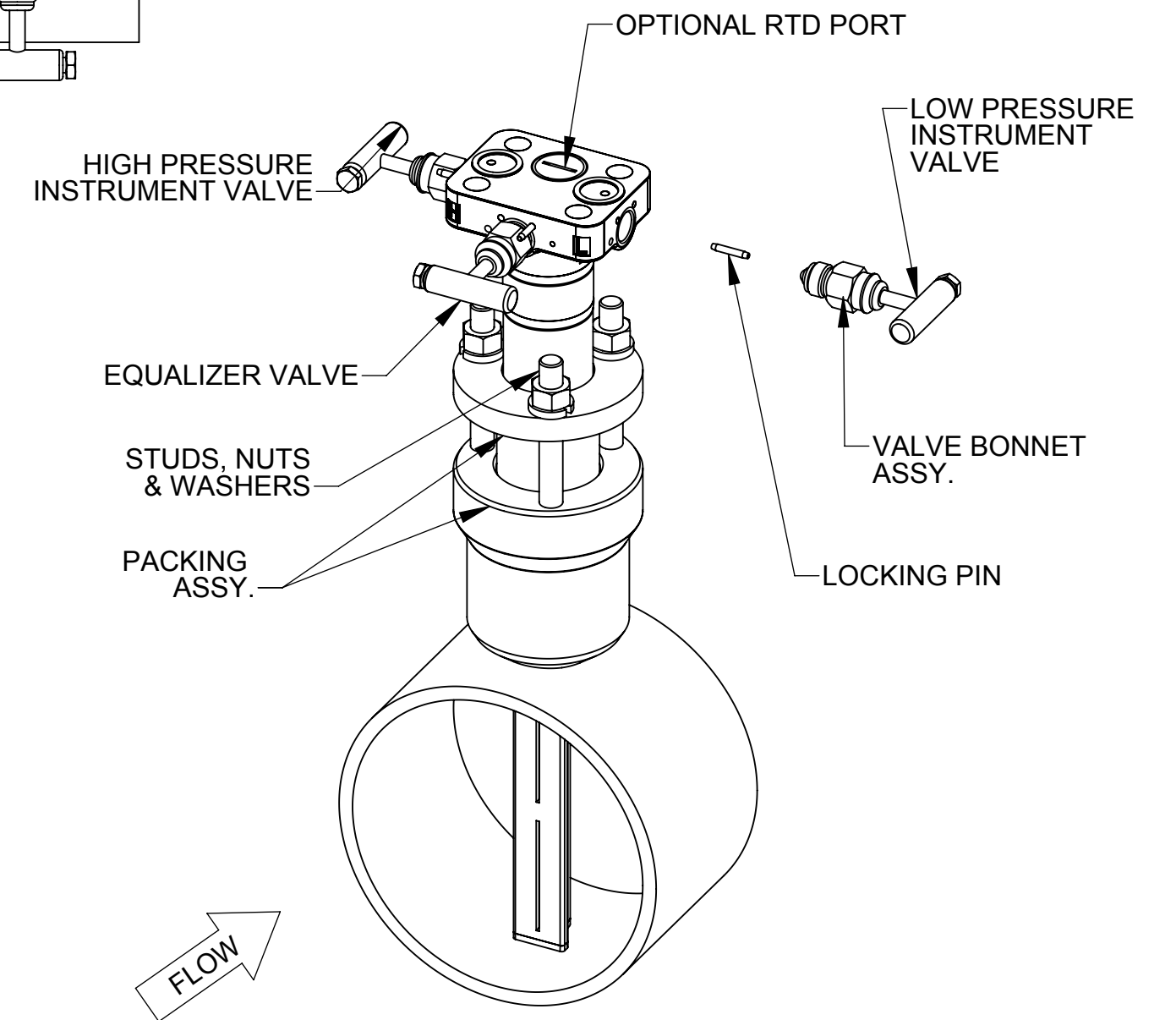


REVISIONS				
REV	DESCRIPTION	CHG.NO.	APP'D	DATE
AE	UPDATE TO DIM IN TABLE ON SHT 2	DSI1003255	JR	04/05/10




**INTEGRAL MOUNT
HEAD OPTION**



**PAK-LOK
SENSOR SIZE 2**

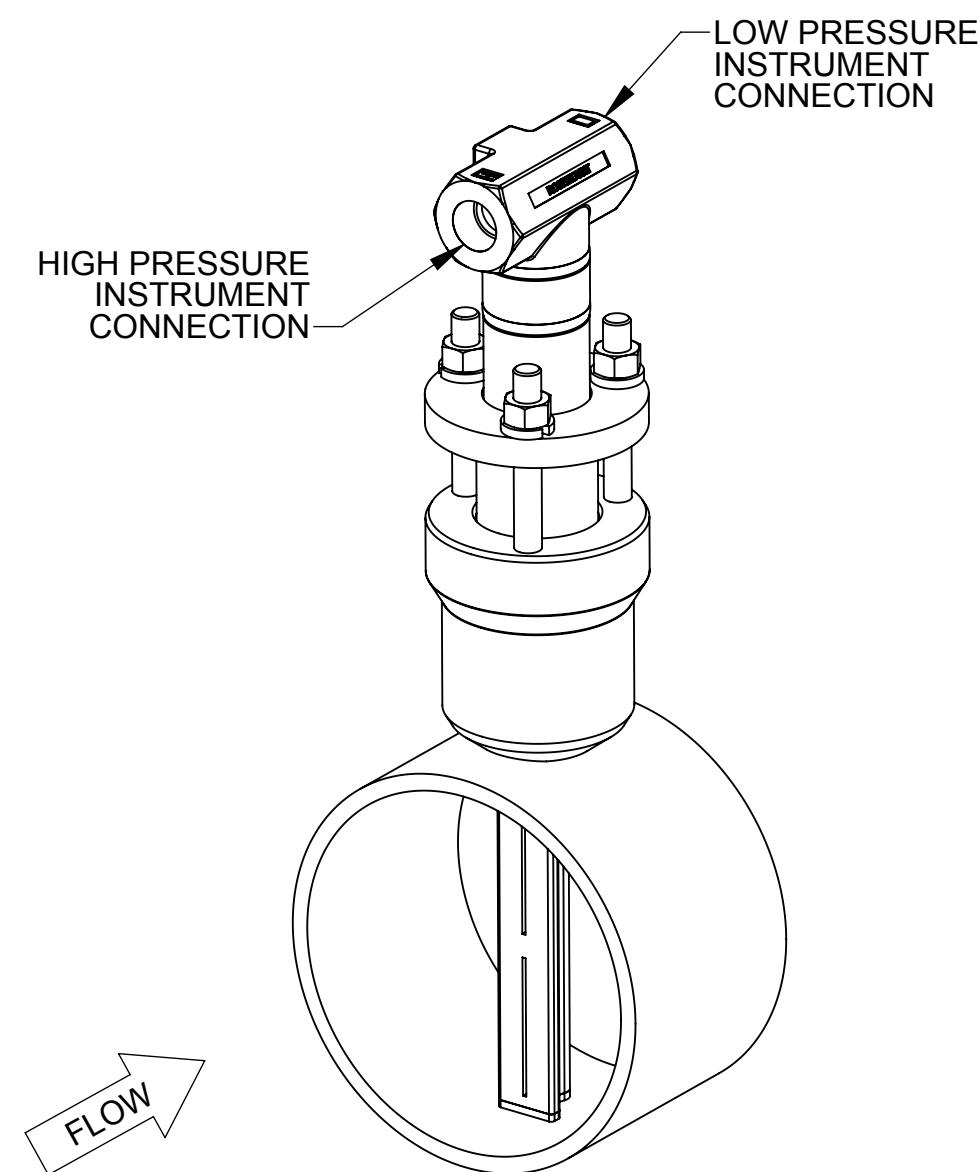
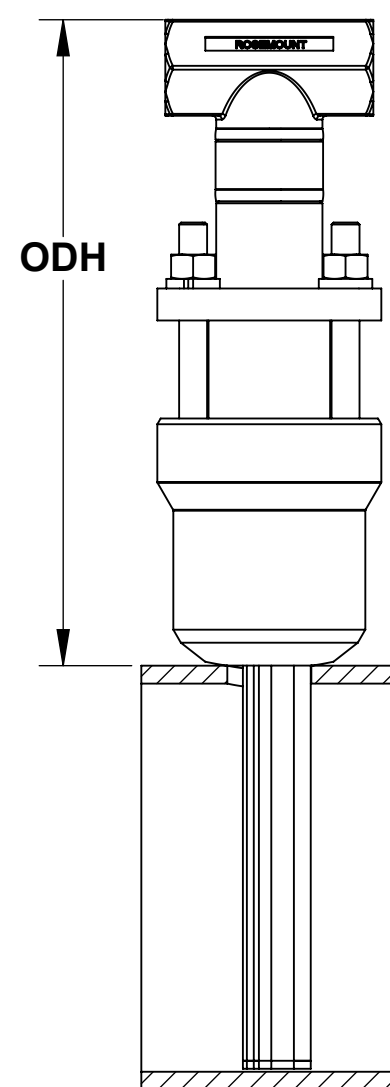
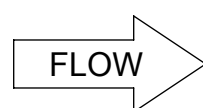
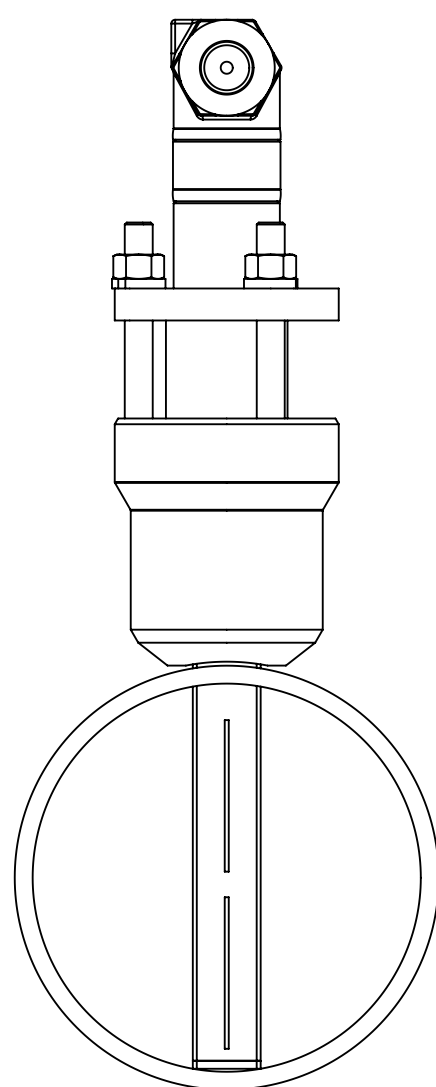
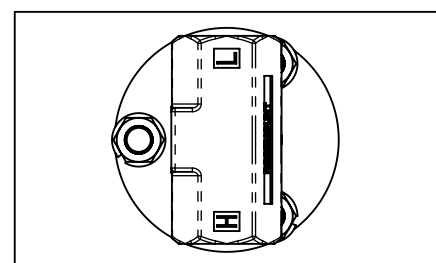
NOTICE
FOR ACCURATE FLOW MEASUREMENT
THE CORRECT HOLE SIZE IN PIPE MUST BE:
1-5/16 INCH (34mm)
DO NOT DRILL OVERSIZE
DO NOT TORCH CUT HOLE

NOTE: UNLESS OTHERWISE SPECIFIED
ALL INFORMATION IS BOTH (TYP) & GENERAL
TO STANDARD PRODUCT DESIGN
ALL PIPE SECTIONS SHOWN FOR REFERENCE ONLY

<p>*UNLESS OTHERWISE SPECIFIED DIMENSIONS IN INCHES (MM)</p> <p>*ALL DIMENSIONS ARE NOMINAL AND ARE FOR REFERENCE ONLY</p> 	TYPE I		ROSEMOUNT® BOULDER, COLORADO		
	DR.	J.PAYLOR	10/18/05	TITLE DIMENSION DRAWING, MODEL 485 ANNUBAR FLOWMETER (3051SFA, 3051CFA 2051CFA, 3095MFA) SENSOR SIZE 2 PAK-LOK 150# 600# ANSI	
	APPROVAL				
	DRAWING	D.VERHAAGEN	1/9/06	SIZE	DRAWING NO.
	TAGGING			A	00485-1001
SPECIALS			SCALE: NONE	SHEET 1 OF 3	

PAK-LOK SENSOR SIZE 2

Min. Rod Reynolds	Probe Width	ODH (MAX.)
12500	1.060 (26.92)	11.00 (279.4)

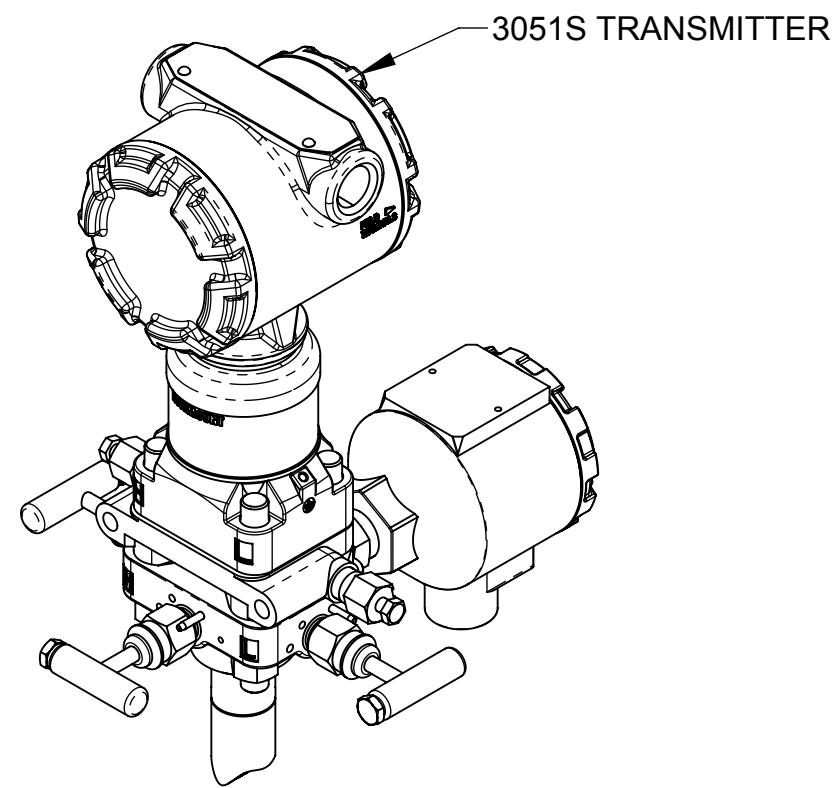


**PAK-LOK
HORIZONTAL FLOW
REMOTE MOUNT INSTRUMENT CONNECTIONS
(NO INSTRUMENT VALVES SHOWN)**

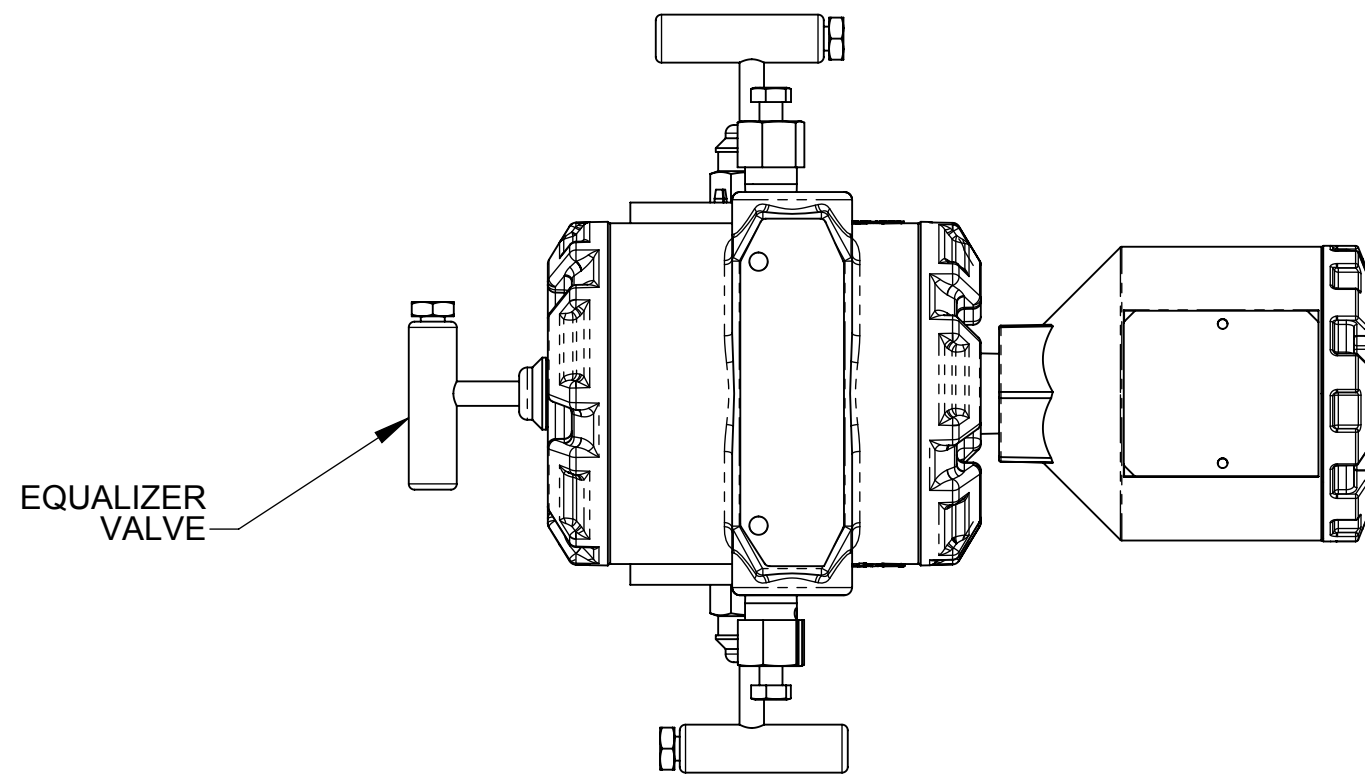
NOTES:

- ROSEMOUNT INC. CERTIFIES THIS DRAWING IS IN ACCORDANCE WITH ROSEMOUNT ENGINEERING SPECIFICATIONS AND ACCURATELY REPRESENTS THE EQUIPMENT FURNISHED.
- ALL ORIENTATIONS SHOWN FOR REFERENCE ONLY. FOR ACTUAL RECOMMENDED LOCATIONS AND ORIENTATIONS REFER TO INSTALLATION INSTRUCTION MANUAL 00809-0100-4809, QUICK INSTALLATION GUIDE (QIG) 00825-0300-4809.
- FIELD WELD. REFER TO INSTALLATION INSTRUCTIONS FOR WELD REQUIREMENTS.
- MAXIMUM PRESSURE: 600lb ANSI EQUIVALENT (1440 PSIG AT 100°F/ 9928.5Kpa g at 37.8C) FOR 316SS.
- MAX TEMPERATURE: 500°F (260 C) FOR INTEGRAL TRANSMITTER MOUNTING
850°F (454.4 C) FOR STAINLESS STEEL REMOTE TRANSMITTER MOUNTING
1250°F (676.7 C) FOR HASTELLOY REMOTE TRANSMITTER MOUNTING
- FOR MODEL SELECTIONS, REFER TO ROSEMOUNT PRODUCT DATA SHEETS.

ROSEMOUNT®		
BOULDER, COLORADO		
SIZE A	FSCM.NO.	DRAWING NO. 00485-1001
SCALE: NONE	WT.	SHEET 2 OF 3

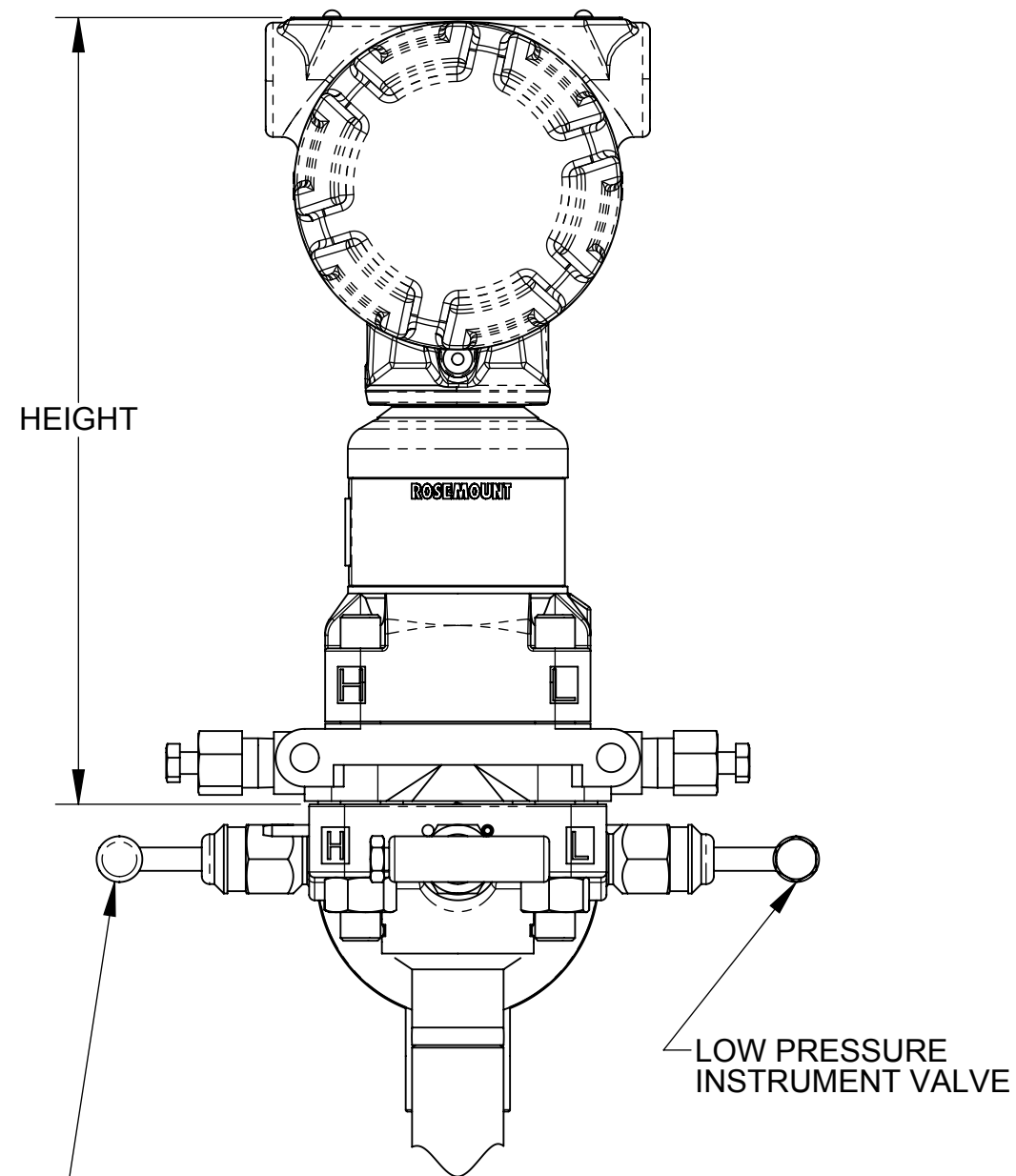


3051S TRANSMITTER



EQUALIZER VALVE

3051SFA, STD HARDWARE

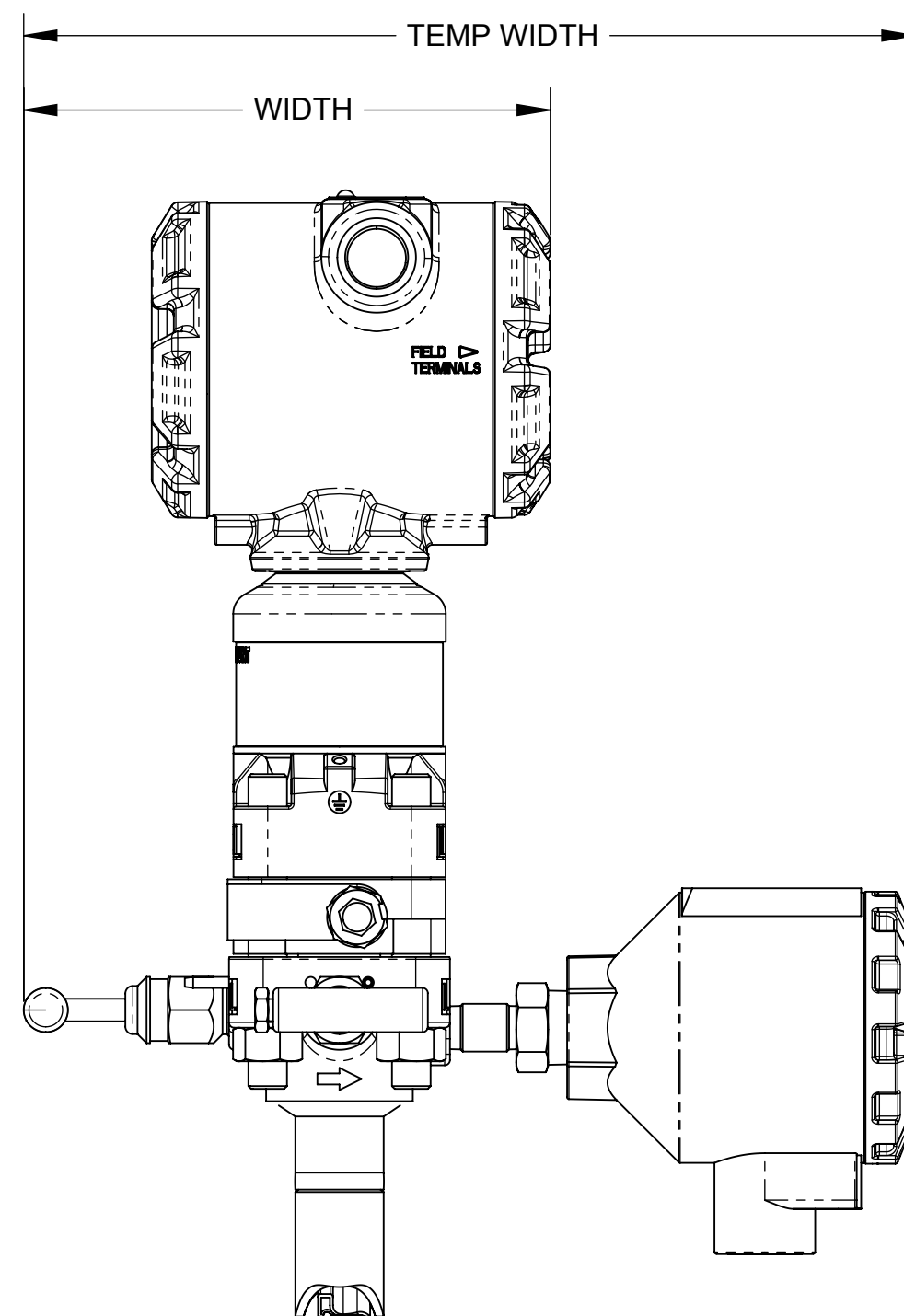


HEIGHT

LOW PRESSURE INSTRUMENT VALVE

HIGH PRESSURE INSTRUMENT VALVE

3051SFA SHOWN



TEMP WIDTH

WIDTH

FLOWMETER	HEIGHT	WIDTH	TEMP WIDTH
2051CFA	7.03 [178,5]	5.50 [139,7]	10.09 [256,3]
3051CFA	7.1 (181)	5.67 [144,0]	
3051SFA	8.53 (216.7)	5.67 [144,0]	
3095MFA	7.1 (181)	5.67 [144,0]	

ROSEMOUNT®
BOULDER, COLORADO

SIZE A	FSCM.NO.	DRAWING NO. 00485-1001
SCALE: NONE WT.		SHEET 3 OF 3