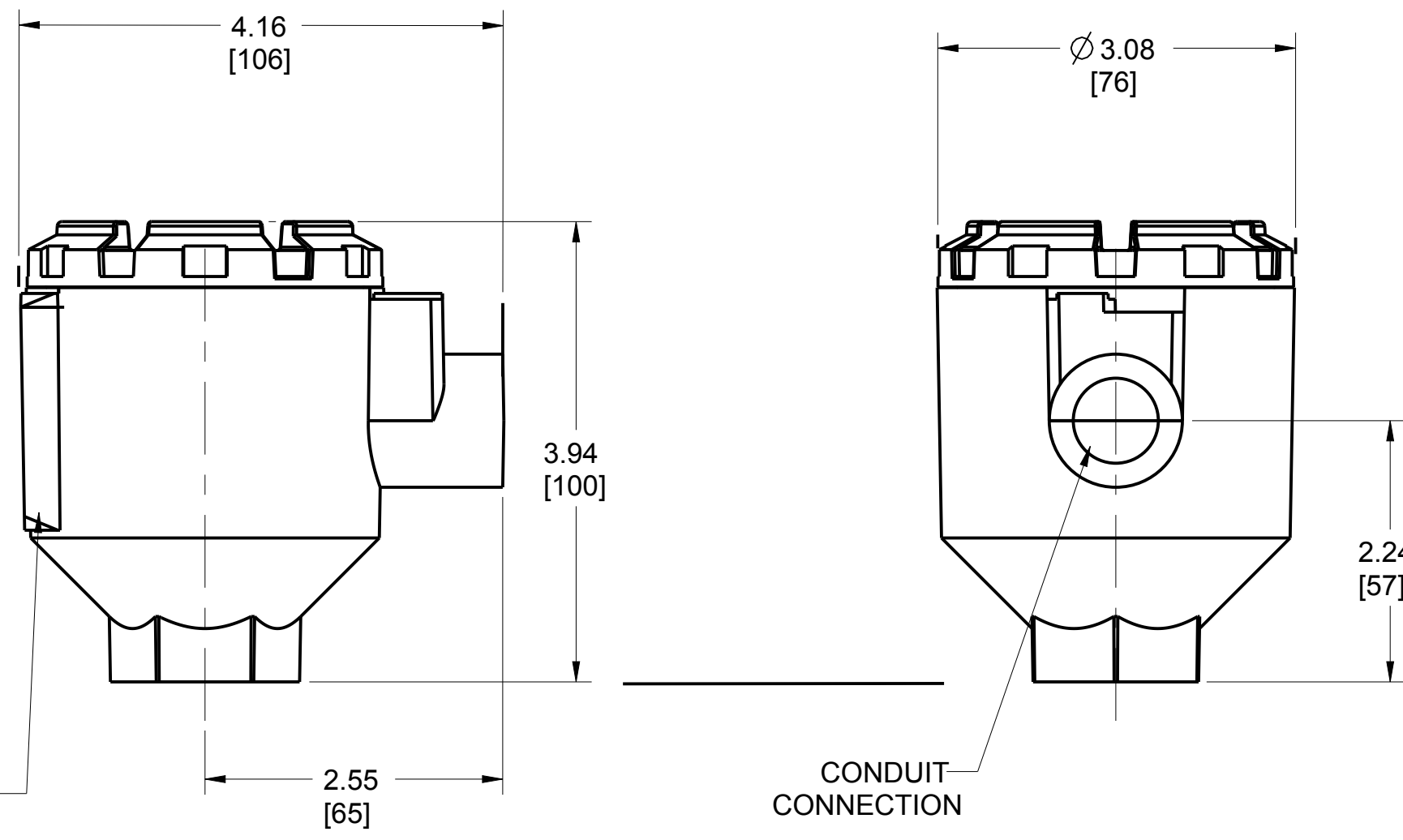


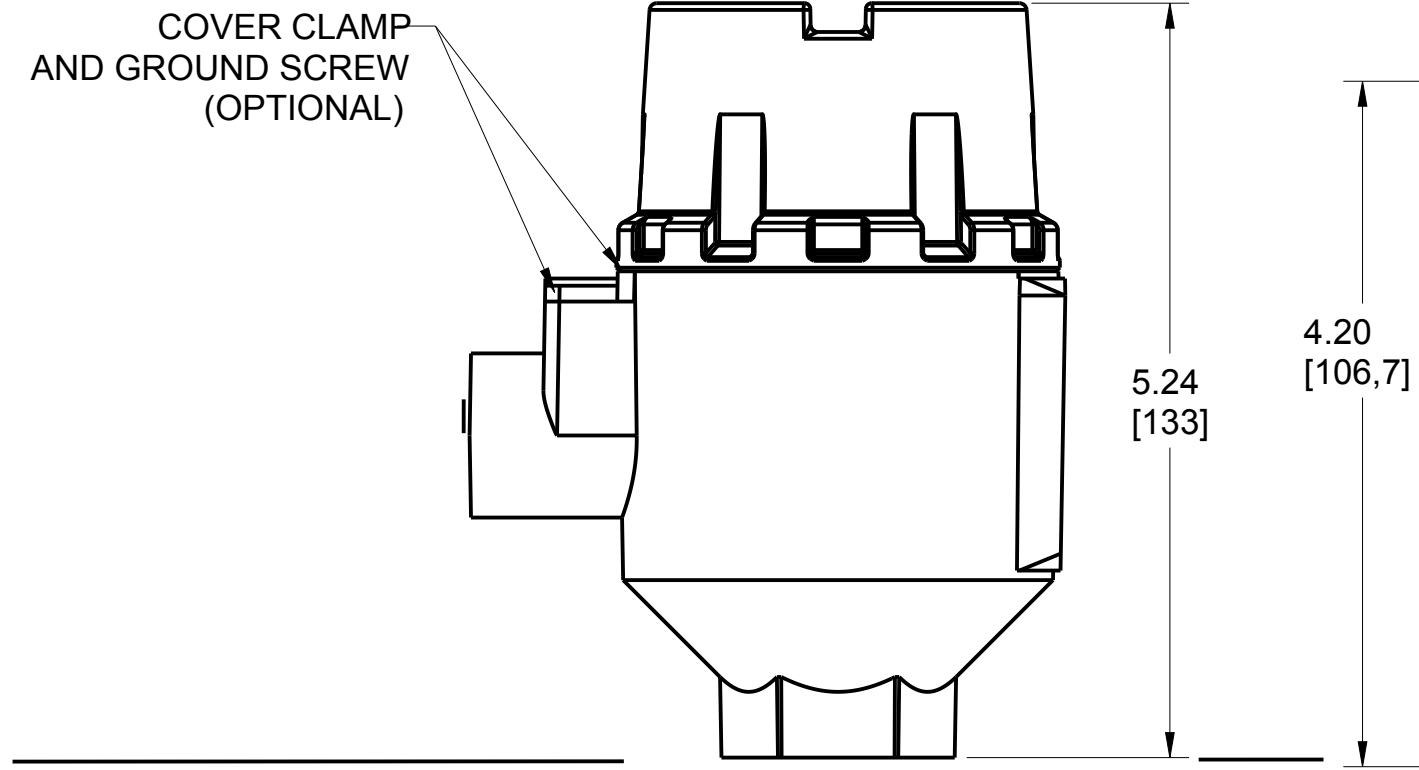
ROSEMOUNT 0085 PIPE CLAMP

REVISION TABLE			
REVISION	ECO NO.	APP'D	DATE
AC	RTC1070227	T.MESCHKE	3/25/18
DESCRIPTION			
SHOW NEW DESIGN, UPDATE TABLES			

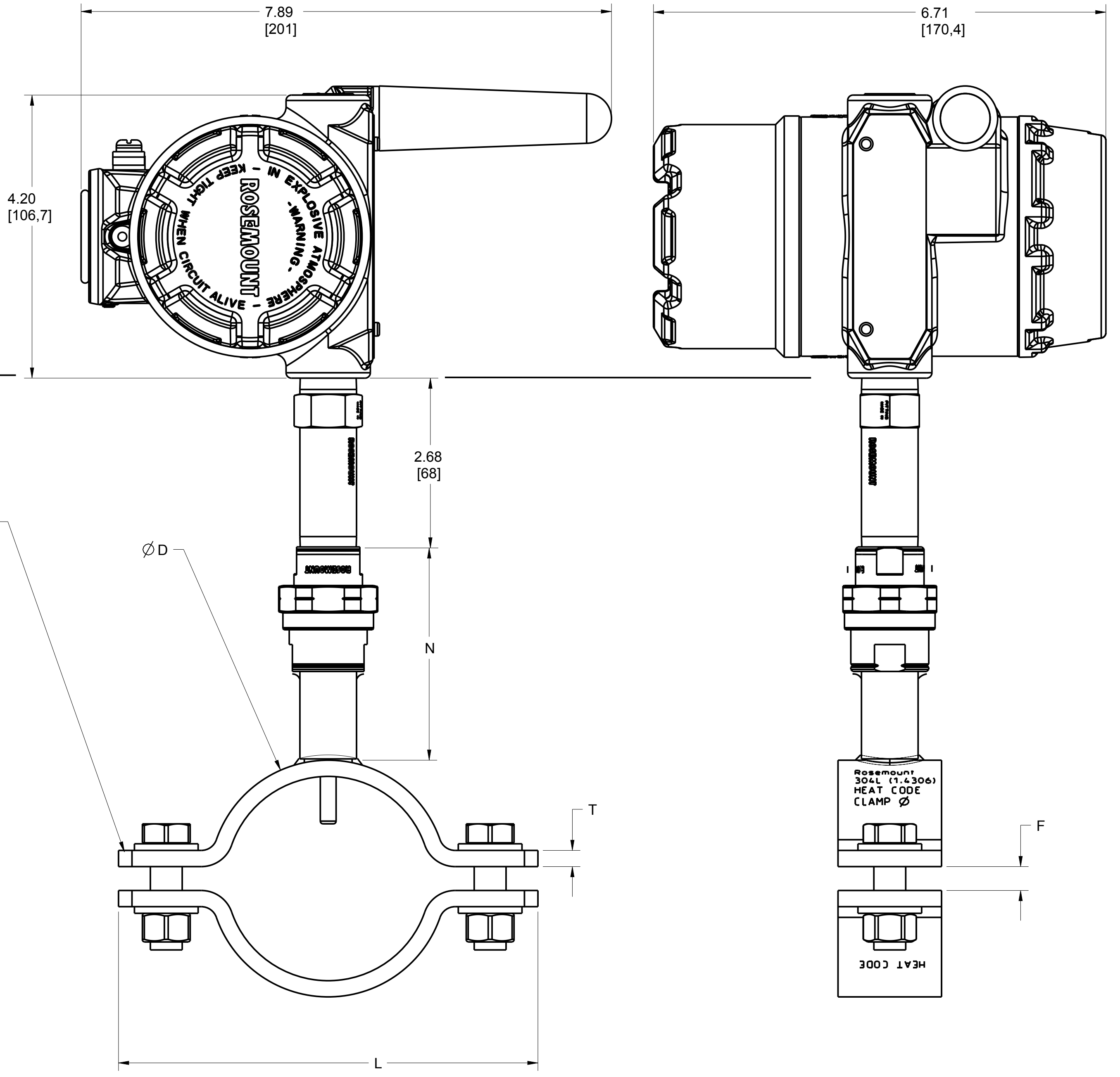
ROSEMOUNT ALUMINUM OR SST



ROSEMOUNT ALUMINUM OR SST WITH LCD METER COVER



WIRELESS HOUSING ASSEMBLED TO PIPE CLAMP



CODE	DIAMETER (D)		SUITABLE PIPE SIZE		CLAMP DIMENSIONS W x T	BOLT DIMENSIONS THREAD x LENGTH	CLAMP LENGTH (L) mm	CLAMP SPACE (F) mm
	mm	INCH	INCH	DIN				
STANDARD								
22	22	1/2"		DN15	31 x 5mm	M10 x 35mm	89	7
34	34	1"		DN25	31 x 5mm	M10 x 35mm	102	7
61	61	2"		DN50	39 x 6mm	M12 x 50mm	144	9
89	89	3"		DN80	39 x 6mm	M12 x 50mm	172	9
115	115	4"		DN100	50 x 8mm	M16 x 60mm	226	11
140	140	5"		DN125	50 x 8mm	M16 x 60mm	252	11
169	169	6"		DN150	50 x 8mm	M16 x 60mm	280	11
220	220	8"		DN200	50 x 8mm	M16 x 60mm	332	11
273	273	10"		DN250	62 x 8mm	M20 x 70mm	408	14
EXPANDED								
27	27	3/4"		DN20	31 x 5mm	M10 x 35mm	96	7
30	30	n/a		DN25	31 x 5mm	M10 x 35mm	98	7
43	43	1 1/4"		DN32	31 x 5mm	M10 x 35mm	112	7
49	49	1 1/2"		DN40	31 x 5mm	M10 x 35mm	118	7
77	77	2 1/2"		DN65	39 x 6mm	M12 x 50mm	158	9
159	159	n/a		DN150	50 x 8mm	M16 x 60mm	270	11
306	306	n/a		n/a	62 x 8mm	M20 x 70mm	442	14
324	324	12"		DN300	62 x 8mm	M20 x 70mm	458	14
356	356	14"		DN350	62 x 8mm	M20 x 70mm	492	14
368	368	n/a		DN350	62 x 8mm	M20 x 70mm	504	14
407	407	16"		DN400	73 x 10mm	M24 x 90mm	578	18
458	458	18"		DN450	73 x 10mm	M24 x 90mm	630	18
508	508	20"		DN500	73 x 10mm	M24 x 90mm	680	18
521	521	n/a		DN500	73 x 10mm	M24 x 90mm	694	18
610	610	24"		DN600	73 x 10mm	M24 x 90mm	797	18
660	660	26"		DN650	73 x 10mm	M24 x 90mm	847	18
720	720	28"		DN700	73 x 10mm	M24 x 90mm	900	18
762	762	30"		DN750	73 x 10mm	M24 x 90mm	942	18
813	813	32"		DN800	73 x 10mm	M24 x 90mm	993	18
915	915	36"		DN900	73 x 10mm	M24 x 90mm	1096	18
1016	1016	40"		DN1000	73 x 10mm	M24 x 90mm	1199	18
1070	1070	42"		n/a	73 x 10mm	M24 x 90mm	1255	18
1219	1219	48"		DN1200	73 x 10mm	M24 x 90mm	1404	18

1. DIMENSION "N"-EXTENSION LENGTH IN mm-SPECIFIED IN SENSOR MODEL STRUCTURE.

NOTES:

©2015 ROSEMOUNT INC. ROSEMOUNT INC. CERTIFIES THIS DRAWING TO BE IN ACCORDANCE WITH ROSEMOUNT ENGINEERING SPECIFICATIONS. UNIT NOTES IN INCHES (mm). REFERENCE ROSEMOUNT PRODUCT SPECIFICATIONS. CLICK HERE

3RD ANGLE

EMERSON

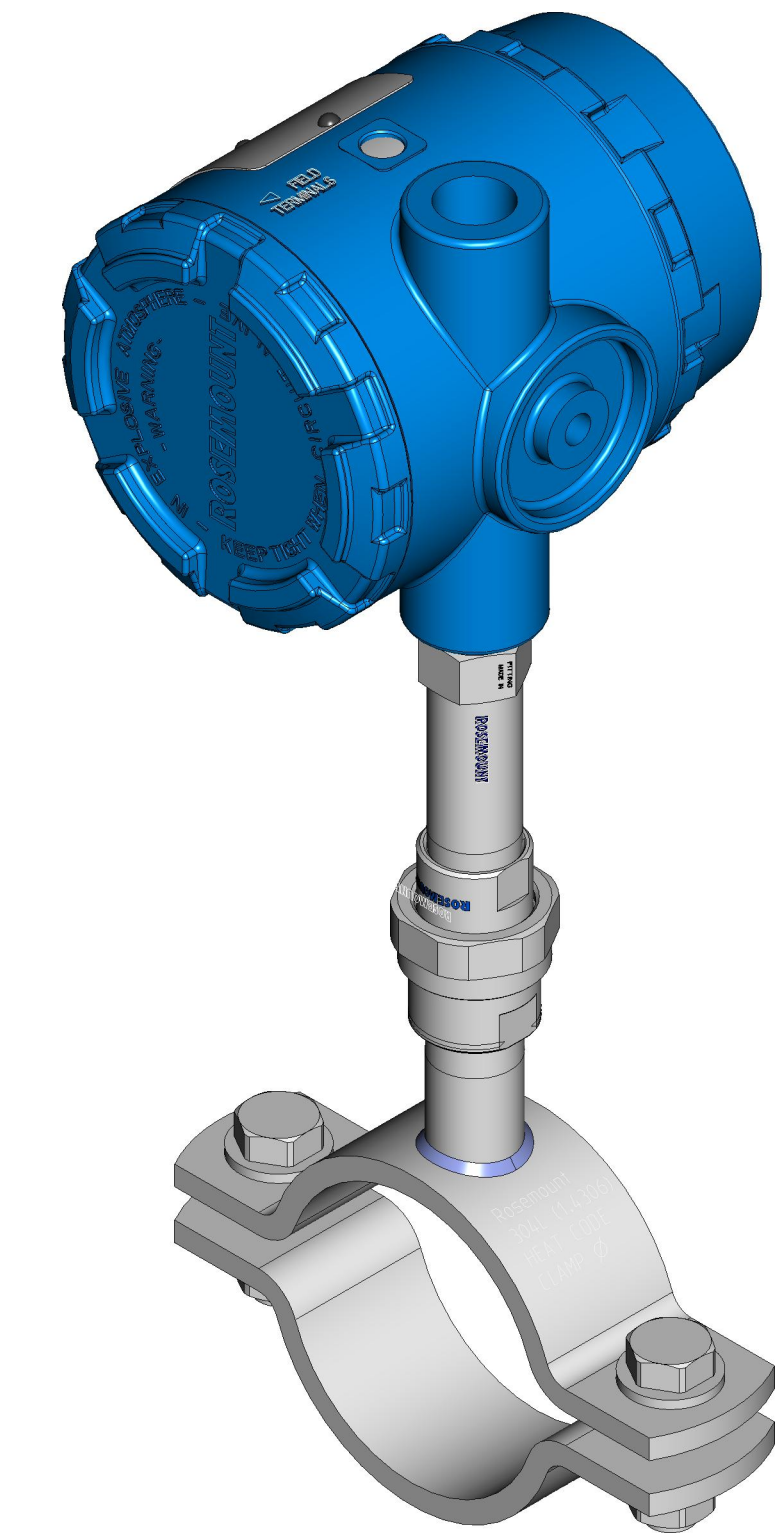
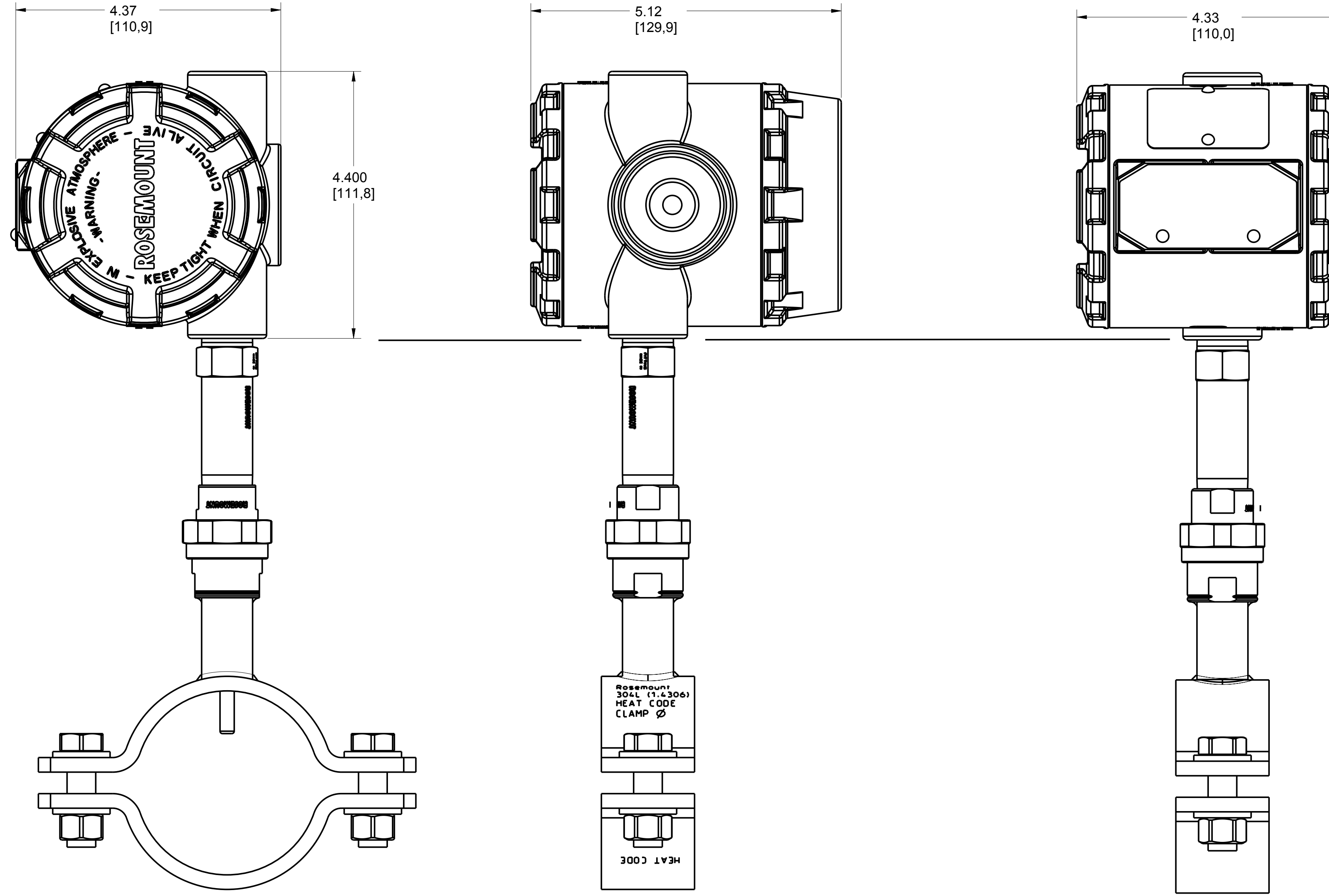
TITLE ROSEMOUNT 0085 PIPE CLAMP TYPE I DRAWING

DR. J. ARMSTRONG	4/10/13	DRAWING NO.	00085-7000
APP'D KW	4/10/13		

CAD MAINTAINED, (PROE) SHEET 1 OF 2

ROSEMOUNT 0085 PIPE CLAMP

3144P HOUSING
ASSEMBLED TO PIPE CLAMP



©2015 ROSEMOUNT INC.
ROSEMOUNT INC. CERTIFIES
THIS DRAWING IS CORRECT
IN ACCORDANCE WITH
ROSEMOUNT ENGINEERING
SPECIFICATIONS.
UNIT NOTES IN INCHES (mm).
REFERENCE ROSEMOUNT
PRODUCT SPECIFICATIONS.
CLICK HERE

EMERSON

TITLE ROSEMOUNT 0085 PIPE CLAMP
TYPE I DRAWING

DR. J. ARMSTRONG	4/10/13	DRAWING NO.	00085-7000
APPD	KW	4/10/13	
CAD MAINTAINED, (PROE)			SHEET 2 OF 2

3RD ANGLE

SIZE D

SCALE NTS