



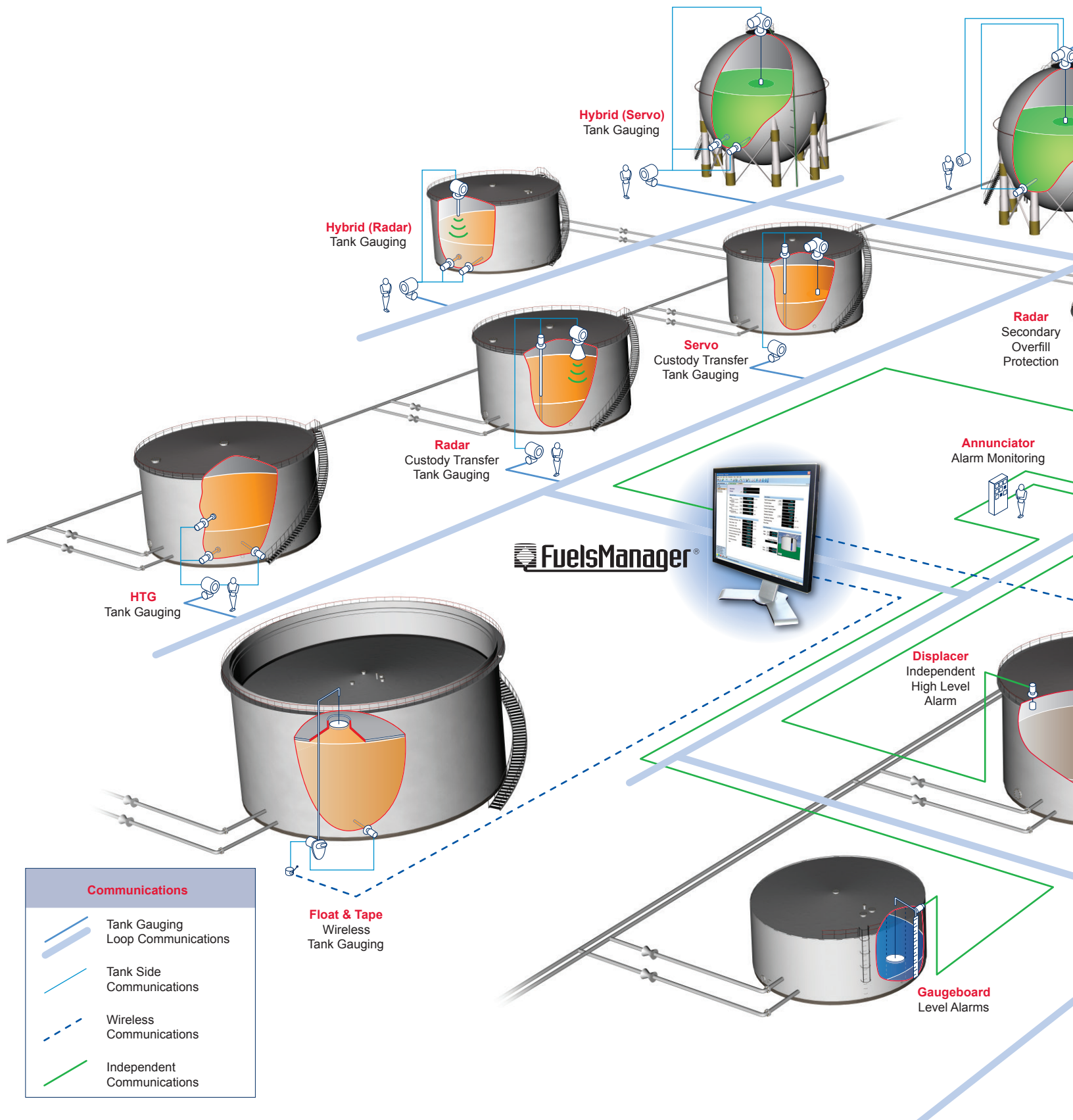
Tank Gauging Products for Bulk Liquid Storage Tanks

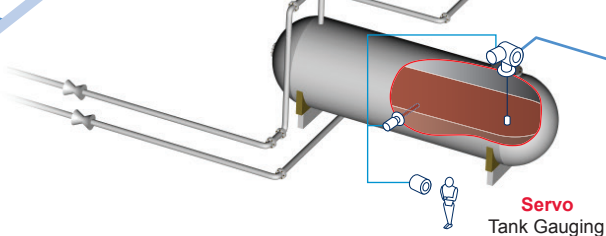
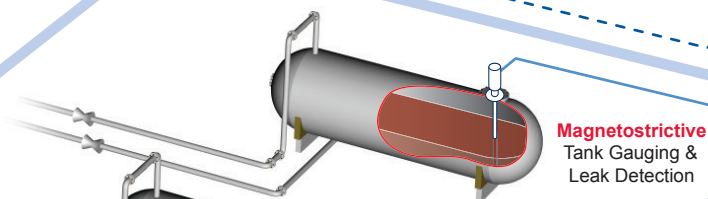
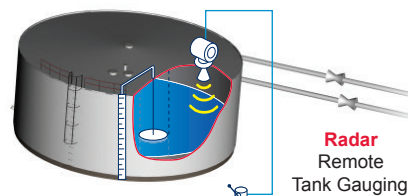
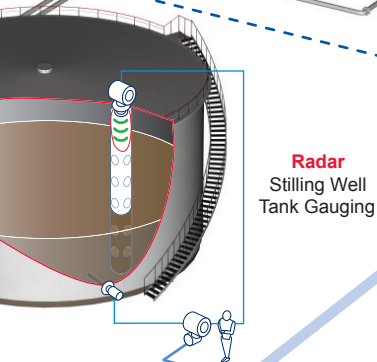
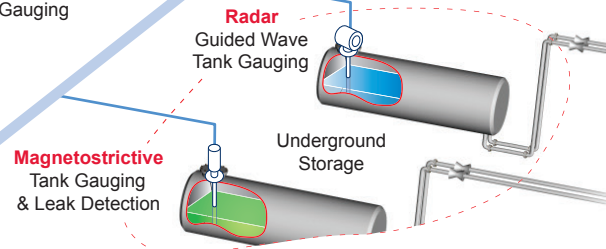
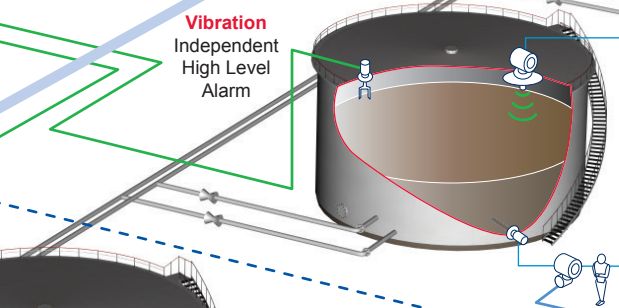
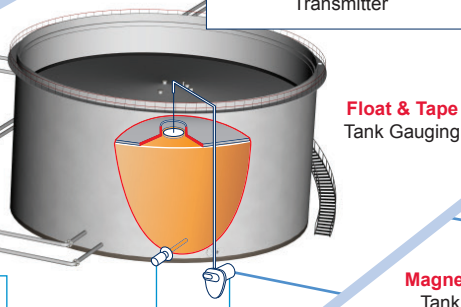
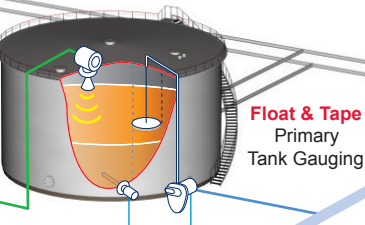
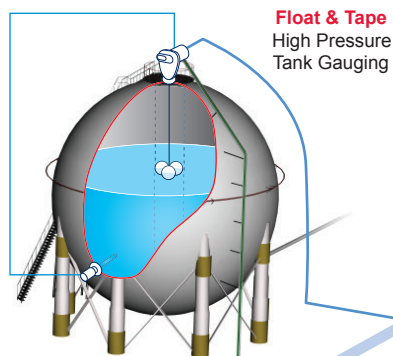
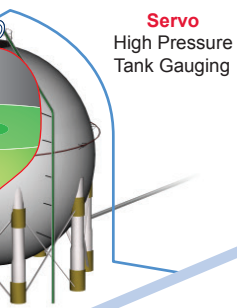
Simple, Safe and Reliable Inventory Measurement

Varec[®]

Tank Gauging Products for Bulk Liquid Storage Tanks

Simple, Safe and Reliable Inventory Measurement





Instrumentation and Sensors					
	Spot Temperature Sensor		Servo Tank Gauge		Small Horn Antenna
	Average Temperature Sensor		Float & Tape Tank Gauge		Horn Antenna
	Displacer Limit Switch		Float & Tape Gaugeboard		Parabolic Antenna
	Vibration Limit Switch		Tank Side Monitor or Display		Planar Antenna (Stilling Well)
	Pressure Sensor		Magnetostrictive Tank Gauge		Rod Antenna
	Mechanical Level Switch				Guided Wave Antenna
	Wireless Transmitter				

Tank Gauging		
Integrate over 50 different models of tank gauges from various manufacturers into a single system.		
<ul style="list-style-type: none"> • Varec • Enraf • Saab • GSI • L&J 	<ul style="list-style-type: none"> • Whessoe • Motherwell • Endress+Hauser • Sakura • Tokyo Keiso • GPE 	<ul style="list-style-type: none"> • HART • Barton Instruments • Texas Instruments • 4-20 mA Current Loop • MTS • MODBUS

Varec's wide range of products provide application specific solutions

2500 Automatic Tank Gauge

The industry standard for float and tape tank gauging for over 50 years



- Provides a level accuracy of 0.2-1" inch (4-25 mm)
- Continuous level measurement with no power required
- Meets API Chapter 3.1B regulations for inventory control applications
- Large, easy-to-read display
- Suitable for virtually every tank gauging application

6700 Liquid Level Indicator

The simplest float and tape gauging product available indicates level on the side of the tank with no power required



- Provides an accuracy of 1" inch (25 mm)
- Durable aluminum gaugeboard with vinyl facing
- Various installation options available for almost every tank type
- Activate visual and audible alarms or drive relays with the 2557 ALS

Servo Tank Gauges

Measurement of level, interface level, water bottom and density of liquids in bulk storage tanks



- Custody transfer accuracy +/- 0.03" (0.7 mm)
- Integrated level alarms with SIL 2 Approval
- Integrated configuration and operation - no additional handheld devices required
- Direct connection of ancillary devices, such as spot or average temperature, water bottom and tank side display

2920 Float & Tape Transmitter

Integrate a float and tape tank gauge into your inventory management system using the latest and most accuracy encoder technology to date.



- Supports EIA-485 MODBUS, Mark/Space, TankWay and BiPhase Mark protocols
- Precision designed and manufactured absolute capacitance encoder for optimum level measurement accuracy
- Touch screen for display and configuration
- Stainless steel direct-drive gearing ensures smooth, reliable operation
- Digital and Analog I/O
- 3- or 4-Wire RTD temperature input
- HART Master for up to four smart devices
- Optional two or four cam-operated switches
- Independent surge protection - galvanically-isolated power circuit and optically-isolated communications
- cFMus/ATEX/IECEX approved for use in hazardous areas

Tank Gauge Interfaces

Data acquisition, open systems architecture and host communications



- Easily expandable through the use of plug-in modules
- Reduces cost by integrating all analog, digital and serial data inputs and outputs
- Each module scans all connected tank gauges for measured data, such as level, temperature, density, water level and alarms
- Connects to most manufacturers' tank gauges, sensors or actuators, and also connects to PLCs and DCS computer systems

Radar Tank Gauges

Level measurement of liquids in bulk storage tanks for custody transfer (± 1 mm) and inventory control (± 2 to 6 mm) applications



- Continuous, non-contact level measurement with no moving parts, provides extremely low maintenance
- Cost effective installations - choose between 2- or 4-wire intrinsically safe technology
- Easy on-tank commissioning, diagnostics and operation via menu-driven alphanumeric display

Accessories & Maintenance Kits

A wide variety of components, spares, and kits are available to suit your tanks' installation or maintenance requirements, including:



- Floats, manhole covers & inspection hatches, guidewires and anchors, conduit elbows, oil seals and support brackets
- The negator cassette kit to improve gauge performance

Tank Side Monitors and Displays

Convenient monitoring, integration and control of all tank sensors



- Intrinsically safe power supply, communication and grade-level display for Varec radar tank gauges
- Connect up to 6 HART devices via intrinsically safe 2-wire communications
- Integrated configuration and operation - no additional handheld devices required
- Approved for use in explosion hazardous areas

Wireless Communications

Utilize reliable wireless data communications in hazardous locations



- Designed for communications between Varec tank gauges or third-party manufactured gauges and an interface device (ModBus)
- Simple, low cost installation - AC or DC operation

Ancillary Devices

Varec offers a choice of cost effective devices for measuring other process conditions, including spot and average temperature transmitters, water bottom sensors, pressure transmitters, vibration switches, displacer switches, flow meters, et

