

95000 Gauge Hatches

MODEL 95004

The Shand & Jurs 95004 Gauge Hatch is designed to provide easy access to storage tanks for gauging product level or temperature and product sampling. Available in a 3 inch model only, it is spark-proof and designed for screw mounting to a threaded tank nozzle.

The 95004 features a foot opening cover, which provides for padlocking cover to gauge body. Special cover design, prevents tampering when cover is in locked position.



MODEL 95010

The Shand & Jurs 95010 Gauge Hatch is designed to provide easy access to storage tanks for gauging product level or temperature or product sampling. Available in 6" and 8" sizes. This gauge provides for emergency venting up to 1 oz./in.² Featuring a metal-to-metal seat, foot pedal for easy opening, and a tape gauge marker.

All sizes are drilled to match ANSI 150 lb. flange.

MODEL 95011

The Shand & Jurs 95011 Gauge Hatch is designed to provide easy access to storage tanks for gauging products level or temperature and product sampling. Available in 6 & 8 inch sizes, this gauge has provision for emergency venting up to 1 oz./in.² Design features include a foot pedal for easy opening, metal-to-metal seat, self-closing cover, tape gauge marker and eye for suspending thermometer or a sampler. For mounting, unit can be screwed to tank nozzle.



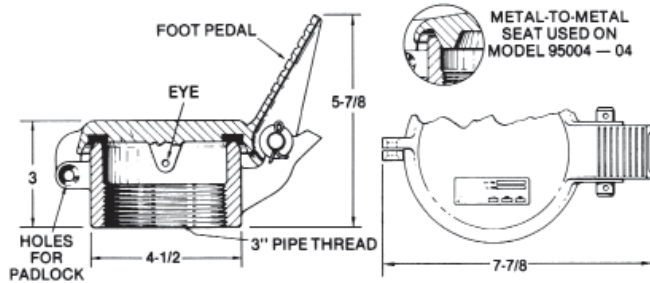
MODEL 95014

The Shand & Jurs 95014 Gauge Hatch is designed for easy access to storage tanks for gauging product level or temperatures and product sampling. Available in 4", 6" and 8" sizes, it is spark-resistant, self-closing and designed for screw mounting to a threaded tank nozzle. This gauge provides for emergency venting up to 3-1/2 oz./in.² of pressure. Design features include a flexible seal, stainless steel facing on seat, tape gauge marker and a S-hook for suspending a thermometer or a sampler.



Specifications & Dimensions

Model 95004

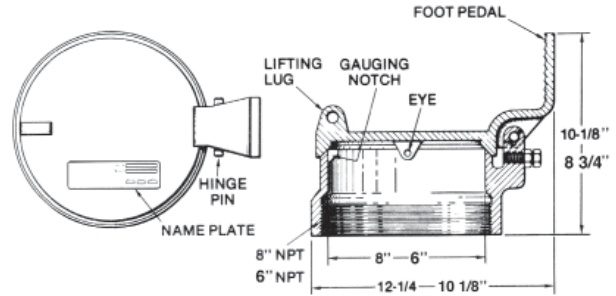


Base:
Brass (spark-proof)

Cover:
Brass (spark-proof)

Seal Ring:
Synthetic Rubber

Model 95011



Base & Cover:
Cast Aluminum

Hardware:
Brass & Steel

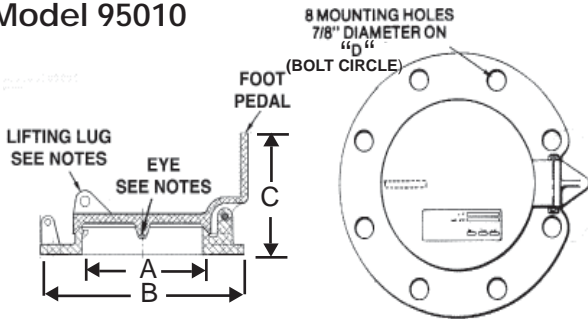
Hinge Pin:
Aluminum

Pressure Setting:
1 oz./in.²

NOTES:

1. Cover Opens at Internal Pressure of 1 oz./in.²
2. Cap Screw is Stop For Self Closing. When Screw is Removed, Cover Opened Full Will Remain Open.

Model 95010



Option No.	Size	Dimensions in Inches			
		A	B	C	D
02	6"	6	11	6 1/4	9 1/2
03	8"	8	13 1/2	7 1/2	11 3/4

Base and Cover:
Cast Aluminum

Hardware:
Brass and Steel

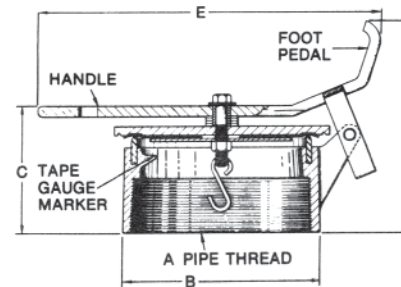
Hinge Pin:
Aluminum

Pressure Setting:
1.0 oz./in.²

NOTES:

1. Cover Opens at Internal Pressure of 1 oz./in.²
2. Flange Fits 150 lb. ANSI Flange.
3. Flange Gasket and Mounting Hardware to be Supplied by Others.
4. Eye Included on 6" Size Only.
5. Lug for Securing Lifting Line on 8" Size Only.
6. Optional Flange Lock and Clamp.

Model 95014



Option No.	Size	Dimensions in Inches				
		A	B	C	D	E
01	4"	4	5 3/32	4 3/32	7 3/16	9 9/16
02	6"	6	7 1/8	4 27/32	7 5/16	12 5/16
03	8"	8	9 5/16	5 31/32	8 1/16	14 1/2

Base, Lever and Pallet:
Hot Rolled Steel

Hinge Pin:
Stainless Steel

Seal Ring:
Neoprene

Hardware:
Brass and Steel

Pressure Setting:
3.5 oz./in.²

NOTE:

1. Cover Opens at Internal Pressure of 3.5 oz./in.²

All designs subject to change. Certified dimensions and specifications available upon request.

95004 Ordering Guide

Model Number Selection

The model number will consist of a base number **95004** followed by 4 digit numbers. These digits will represent 2 option tables.

95004 - AB - CD

Ordering Information

Specify:

1. Model 95004 Gauge Hatch
2. Seal Type
3. CE for Ordinary EU Locations, use Table D1
4. ATEX Certification for Group IIB, IIA EU Locations use Table D2



Table AB - Size & Material*

Option AB	Description	Weight
02	3" NPT (Soft Seat)	10 lbs.
04	3" NPT (Metal Seat)	10 lbs.

*Seal type - Threaded (Brass)

Table CD - Application

Option CD	Description
00	Standard
01	CE
02	ATEX

95010 Ordering Guide

Model Number Selection

The model number will consist of a base number **95010** followed by 4 digit numbers. These digits will represent 3 option tables.

95010 - AB - CD

Ordering Information

Specify:

1. Model 95010 Gauge Hatch
2. Size
3. Connection Type
4. Specify CE for Ordinary EU Locations use Table D1
5. ATEX Certified for Group IIB, IIA EU Locations use Table D2

Table AB - Size

Option AB	Description	Weight
02	6" 125 lb. F.F. Flange	15 lbs.
03	8" 125 lb. F.F. Flange	15 lbs.

*Self Closing Type (Aluminum)

Table C - Closing Type

Option C	Description
0	Standard (Not Self-Closing)
1	Self-Closing

Table D - CE or ATEX

Option D	Description
0	Standard
1	CE
2	ATEX

95011 Ordering Guide

Model Number Selection

The model number will consist of a base number **95011** followed by 4 digit numbers. These digits will represent 3 option tables.

95011 - AB - CD

Ordering Information

Specify:

1. Model 95011 Gauge Hatch
2. Size
3. Connection Type
4. Specify CE for Ordinary EU Locations use Table D1
5. ATEX Certified for Group IIB, IIA EU Locations use Table D2



Table AB - Size

Option AB	Description	Weight
02	6" NPT	18 lbs.
01	8" NPT	20 lbs.

Table C - Closing Type

Option C	Description
0	Standard (Self-Closing)
1	Not Self-Closing

Table D - CE or ATEX

Option D	Description
0	Standard
1	CE
2	ATEX

95014 Ordering Guide

Model Number Selection

The model number will consist of a base number **95014** followed by 4 digit numbers. These digits will represent 2 option tables.

95014 - AB - CD

Ordering Information

Specify:

1. Model 95014 Gauge Hatch
2. Size
3. Pressure Setting*
4. Specify CE for Ordinary EU Locations use Table D1
5. ATEX Certified for Group IIB, IIA EU Locations use Table D2



Table AB - Size

Size	Standard Setting Option AB	Non-Standard Setting* Option AB
4"	01	11
6"	02	12
8"	03	13

Table CD - CE or ATEX

Option CD	Description
00	Standard
01	CE
02	ATEX

Self Closing, Threaded, Fabricated Steel