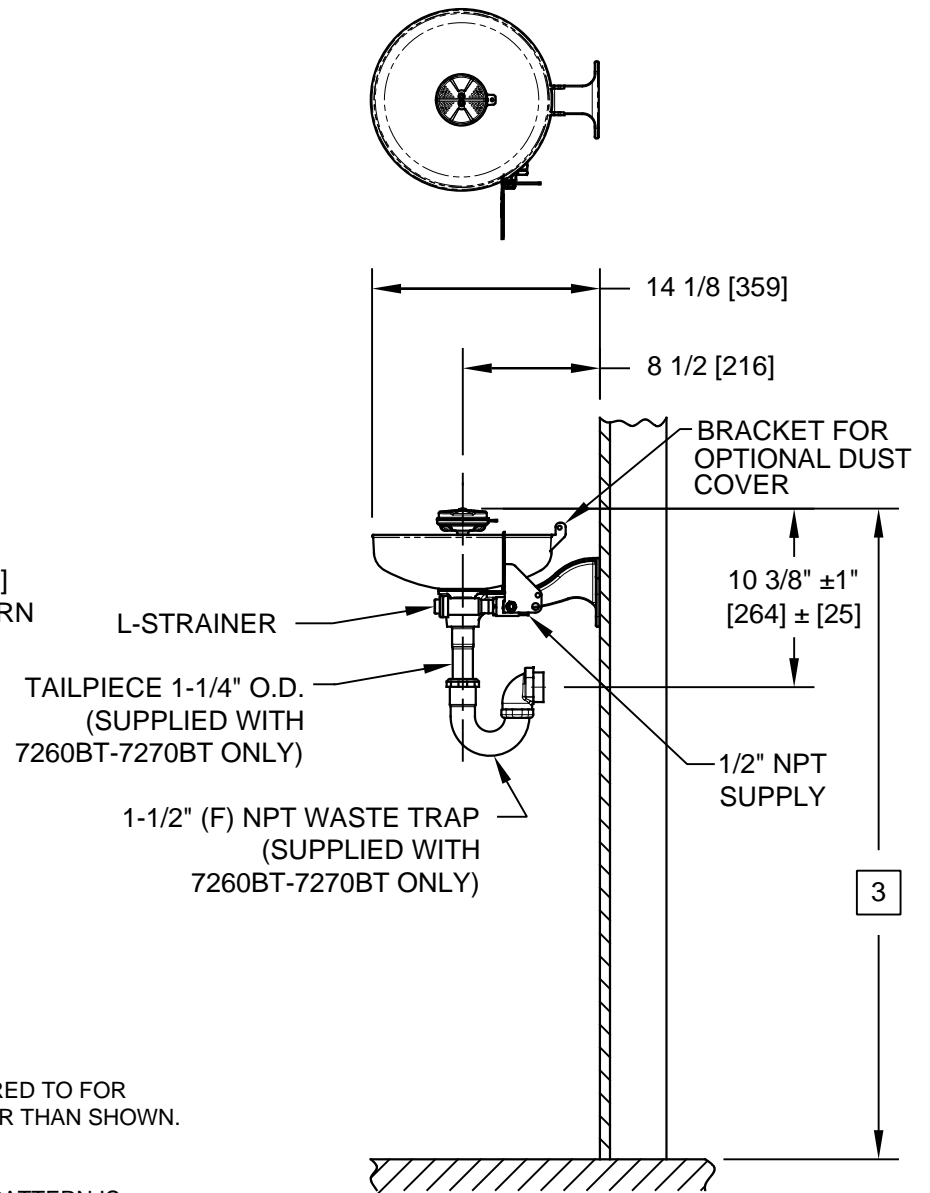


**WALL MOUNT DETAIL**



**NOTES:**

1. WHEN INSTALLING THIS UNIT, LOCAL, STATE, OR FEDERAL CODES SHOULD BE ADHERED TO FOR INSTALLATION DIMENSIONS (LOCATIONS), WASTE AND SUPPLY REQUIREMENTS OTHER THAN SHOWN.
2. TO COMPLY WITH ANSI Z358.1-2014 FOR EMERGENCY EYEWASH OR EYE/FACE WASH: EYEWASH OR EYE/FACE WASH SHALL BE POSITIONED SUCH THAT FLUSHING FLUID PATTERN IS NOT LESS THAN 33" (838mm) AND NO GREATER THAN 53" (1346 mm) FROM SURFACE ON WHICH USER STANDS; AND 6.0" (153mm) MINIMUM FROM WALL OR NEAREST OBSTRUCTION.

3 HEIGHT IS DETERMINED BY WATER FLOW PATTERN HEIGHT SHOWN, WHICH IN TURN, IS DEPENDENT ON IN-LINE SUPPLY PRESSURE.

4. DIMENSIONS MAY VARY BY ±1/2" (13 mm).

5. DIMENSIONS IN BRACKETS, IN DRAWING SPACE, ARE METRIC [mm].

		1455 KLEPPE LANE SPARKS, NEVADA 89431 (775) 359-4712 FAX (775) 359-7424 E-MAIL: HAWS@HAWSO.COM WEBSITE: WWW.HAWSO.COM	
ECN NO. 4161 DRAWN: SLS APPROVED: FV	REVISED PER: ECN: 5175 DATE: 5/1/08 DATE: 11/23/17	BY: VWC CHKD.: VWC DATE: 11/23/17	MODEL(S) 7260B-7270B/7260BT-7270BT SCALE: 1:1 DRAWING TYPE: INSTALLATION
PART NUMBER 0002080038.D REVISION 19			SHEET 1 OF 1