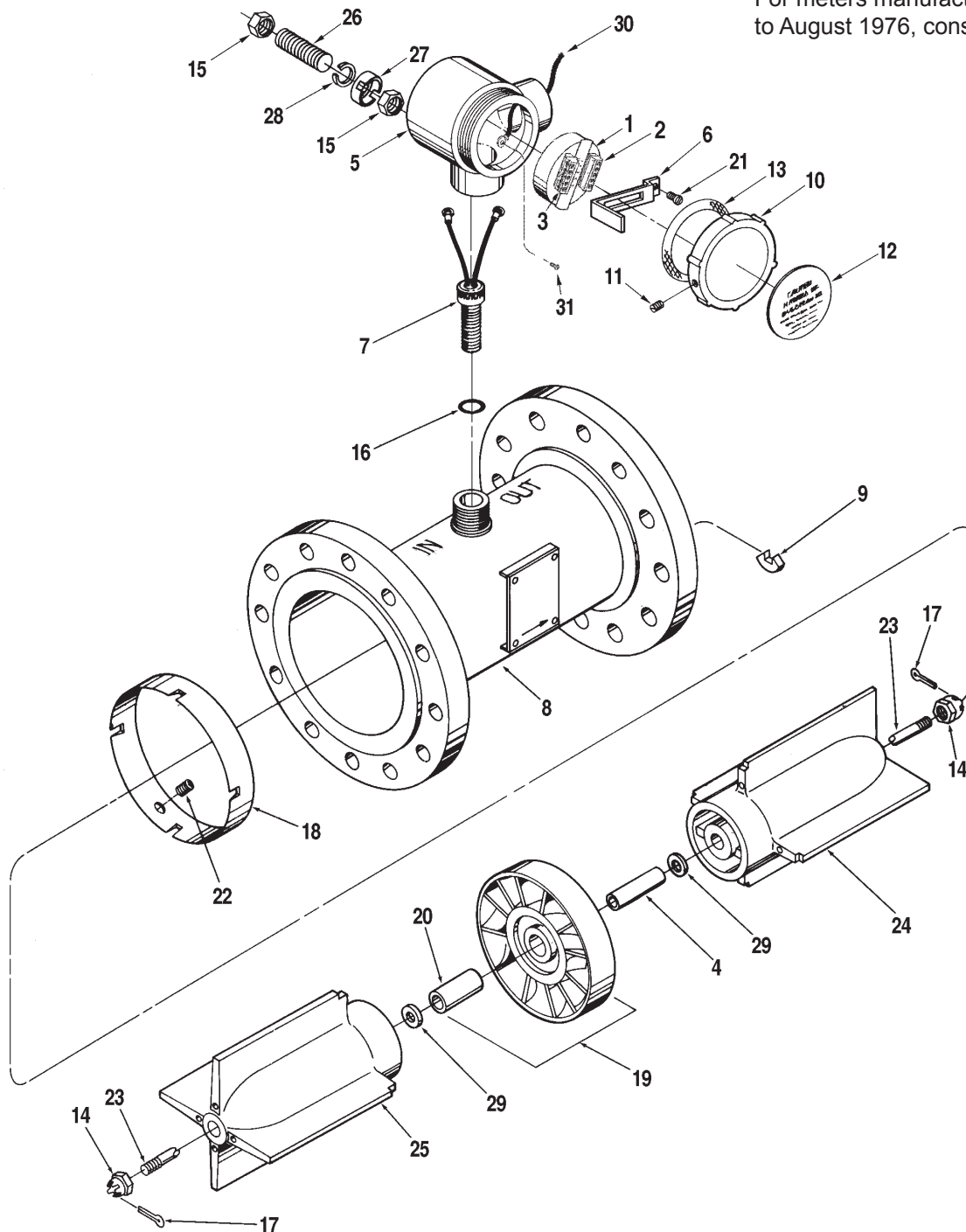


# Meter, Turbine, 12 Inch, Sentry Series, Model K2DK

Bulletin PO02018 Issue/Rev. 0.0 (09/13)

For meters manufactured prior to August 1976, consult factory.



Item	Description	Qty.	Part Number
1	+ Preamplifier:		
	PA-6, 12 to 24 Vdc.....	#	230663-101
2	Connector, (1-5).....	#	645030-452
3	Connector, (6-10).....	#	645030-453
4	+ Bearing, Platform:		
	Standard.....	1	541454-215
5	Box, Conduit.....	#	543256-200
6	Clip, Retaining.....	#	543192-203
7	+ Coil, Pickup:		
	-100°F to 225°F.....	#	644327-401
	-100°F to 400°F (High Temperature Version).....	#	641512-401
	Mating Connector with Leads (High Temperature Version).....	#	540244-101
8	Housing.....	1	See Note 1
9	Key, Stator:		
	For Stainless Steel Stators.....	1	544115-201
10	Cover, Conduit Box		
	UL/CSA.....	#	543196-100
	ATEX – Manufactured in U.S.A. ....	#	544057-101
	ATEX – Manufactured in Germany.....	#	544057-102
11	Screw, Set, #6-32 x 1/4".....	#	643243-403
12	Label:		
	UL/CSA.....	#	543195-200
	ATEX – Manufactured in U.S.A. ....	#	544056-201
	ATEX – Manufactured in Germany.....	#	544056-202
13	Gasket, Cover.....	#	013403-200
14	+ Nut, Castle, 1/2"-13, UNF-2B.....	2	643729-402
15	Nut, 1/4"-20 (ATEX version only).....	#	060060-001
16	O-Ring.....	#	641069-474
17	Pin, Cotter, 1/2 x 1".....	2	003421-401
18	Ring, Deflector (Stainless Steel):		
	Unidirectional.....	1	541685-215
	Bidirectional.....	2	543054-215
19	+ Rotor Assembly (265 pulses/bbl).....	1	544444-192
20	Bearing, Rotor.....	1	541455-215
21	Screw, #10-32 x 1/4".....	#	009544-401
22	Screw, Set, 1/4-20 x 1/4" (Two Per Deflector Ring).....	#	645690-402
23	Shaft, Rotor.....	1	544431-201
24	Stator, Downstream.....	1	542377-213
25	Stator, Upstream		
	Unidirectional.....	1	542376-213
	Bidirectional.....	1	542377-213
26	Stud (ATEX version only).....	#	550773-001
27	Washer, Inverted Tag (ATEX version only).....	#	550770-001
28	Washer, 1/4" Lock (ATEX version only).....	#	006621-001
29	+ Washer, Thrust.....	2	543851-215
30	Ground Wire (UL/CSA version only).....	#	544058-101
31	Screw, #10-32 x 1/4" (UL/CSA version only).....	#	006110-002

Item	Description	Qty.	Part Number
<b>Internal Parts Kits</b>			
	Unidirectional.....		544612-103
	Bidirectional.....		544612-104

- + Recommended stock.
- # Order quantity required.

@1 Note 1: Consult Factory, (814) 898-5000, providing the following information:

1. Uni or Bidirectional	3. Flange Material	5. Flange Type
2. Housing Material	4. Flange Class (Pressure)	6. Number of Pickup Coils

P0591.07X has been made obsolete and replaced by publication number PO02018 (September 2013).

The specifications contained herein are subject to change without notice and any user of said specifications should verify from the manufacturer that the specifications are currently in effect. Otherwise, the manufacturer assumes no responsibility for the use of specifications which may have been changed and are no longer in effect.

**TechnipFMC.com**

© TechnipFMC plc. 2020 All rights reserved. PO02018 Issue/Rev. 0.0 (09/13)

TechnipFMC  
13460 Lockwood Road  
Building S01  
Houston, Texas 77044 USA  
P:+1 281.591.4000

USA Operation  
1602 Wagner Avenue  
Erie, Pennsylvania 16510 USA  
P:+1 814.898.5000

Germany Operation  
Smith Meter GmbH  
Regentstrasse 1  
25474 Ellerbek, Germany  
P:+49 4101 304.0