

FRP
VENTS

SERIES	STYLE	SIZES
P8540 □ H	End-of-Line Pressure / Vacuum	2" - 12"
P18540 □ H	Pipe-Away Pressure / Vacuum	2" - 12"
P7800 □ H	End-of-Line Pressure	2" - 24"
P17800 □ H	Pipe-Away Pressure or Vacuum	2" - 12"
P6240 □ H	End-of-Line Vacuum	2" - 12"
P16240 □ H	Side Mounted Vacuum	2" - 12"
P53300 □	Emergency Pressure Manhole Cover	16" - 24"
P4980 □	Gauge Hatch	4" - 8"
P7300 □	Overflow Valve	2" - 6"

□ MATERIAL CODE DESIGNATIONS:

"A" - Derakane® 470; "B" - Furan; "C" - Derakane® 411



OBJECTIVE

Protectoseal FRP Vents are designed to provide pressure and / or vacuum relief in applications that control hazardous vapors that would attack conventional metallic vents or components. Through the use of carefully chosen resins, (e.g. Derakane® 470, Derakane® 411 and Furan) a wide variety of tank storage and product conservation applications are served. Such applications can be found in the chemical, petroleum, petrochemical, pulp and paper, waste treatments, ultra pure water and food & beverage industries. FRP eliminates the need for exotic metal construction.

TECHNIQUE

Normal Conservation Breather Vents feature pressure and vacuum pallets in the vent housing that retard intake of air and escape of vapors under normal conditions. Pallets open and close to permit only that intake or outlet relief necessary to remain within permissible working limits and avoid damage to tanks, low pressure vessels and piping. In pipe-away models, relieved vapors are piped away through a flanged connection.

Emergency Relief Pressure Vents are designed to provide emergency relief capacity beyond that furnished by the normal operating vent on tanks, low pressure vessels and piping.

SPECIAL FEATURES

Fast Inspection, Easy Maintenance. Rugged design and light weight provide for easy, convenient handling for installation, inspection, maintenance and cleaning.

Maintains Accurate Pressure Settings. Factory tested and certified prior to shipment to assure every unit meets Protectoseal's stringent requirements. Leakage on vent pallets at standard settings is less than 1 cu.ft. of standard air per hour at 90% of the set pressure.

One-piece Construction. The one-piece construction of Protectoseal's vent bodies eliminates the possibility of product leakage through seams and ensures the integrity of the vent through an extended service life.

Automatic Condensate Drainage. Self-draining body design keeps condensate away from seating surface. Vent is protected from freezing, binding and clogging.

Air-Cushioned Seating. Protectoseal patented and exclusive Protectoseal Air-Cushioned Seating for low evaporation losses. FEP film diaphragms are standard, other materials can be furnished on special request. The pallets have peripheral guiding and center stabilizing stem to ensure proper alignment and tight seating.

Numerous Sizes Available. All vents in the sizes shown above mate with standard flanged 125# ANSI, API (20" or 24" only) or DIN PN 16 bolting specifications. Other drilling patterns are also available upon special request.

PRO-FLOW III® Sizing and Selection Software. Use PRO-FLOW III® to select the correct size unit for pressure and vacuum relief calculated in accordance with API 2000, ISO 28300, NFPA 30 and OSHA 1910.106.

CONSTRUCTION

Vents made from FRP resins are highly resistant to chemically hostile environments, yet extremely rugged and durable in construction. Protectoseal's "H" Series FRP models feature no exposed metal parts and plastic external hardware for long service life in corrosive applications. All pallets are constructed of the same heavy-duty laminated resin as used in the vent body.

Material Code "A" - Derakane® 470 Vinyl Ester Resin body, cover and pallet; FEP diaphragms; Polyethylene screen; non-metallic external hardware; Derakane® 470 Resin coated steel or uncoated lead weights, if required.

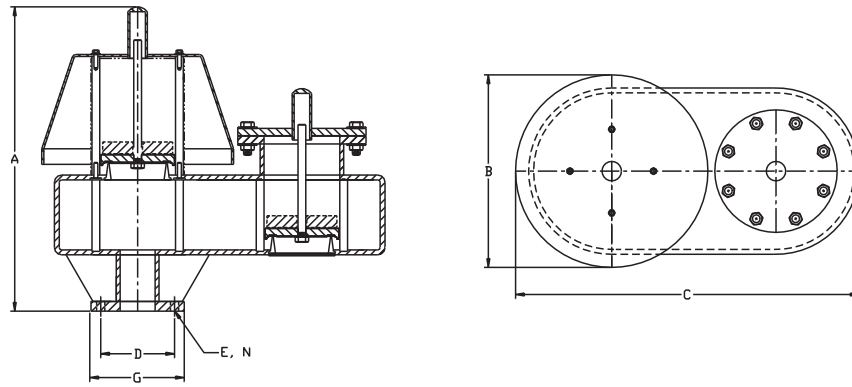
Material Code "B" - Furan body, cover and pallet; FEP diaphragms; Polyethylene screen; non-metallic external hardware; Furan coated steel or uncoated lead weights, if required.

Material Code "C" - Derakane® 411 body, cover and pallet; FEP diaphragms; Polyethylene screen; non-metallic external hardware; Derakane® 411 coated steel or uncoated lead weights, if required.

Available Options.

- Alternate diaphragm materials
- "Double Veil" coated weights and Alloy C276 weights

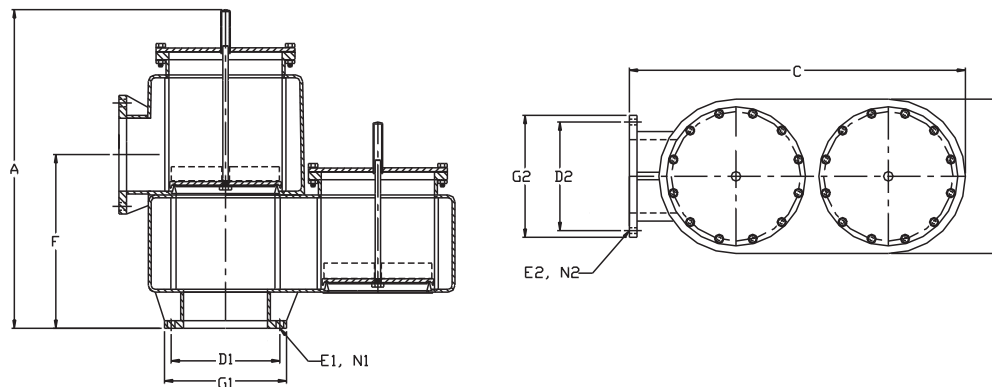
Series P8540 □ H - FRP End-of-Line Pressure / Vacuum Breather Vent (Dimensions shown are for reference only, contact factory for certified drawings)



Cat. No.	Flange Size	Ht. A	Width B	Length C	B.C. D	Dia. G	Dia. E	Holes N
P8542 □ H	2"	19 ¹ / ₂ "	12 ³ / ₈ "	22"	4 ³ / ₄ "	6"	3/4"	4
P8543 □ H	3"	20 ¹ / ₂ "	14"	22 ⁷ / ₈ "	6"	7 ¹ / ₂ "	3/4"	4
P8544 □ H	4"	25 ³ / ₄ "	16 ¹ / ₄ "	30 ³ / ₈ "	7 ¹ / ₂ "	9"	3/4"	8
P8546 □ H	6"	29"	16 ¹ / ₄ "	30 ⁷ / ₈ "	9 ¹ / ₂ "	11"	7/8"	8
P8548 □ H	8"	40 ⁷ / ₈ "	21"	41 ¹ / ₈ "	11 ³ / ₄ "	13 ¹ / ₂ "	7/8"	8
P8550 □ H	10"	40 ⁷ / ₈ "	21"	41 ¹ / ₈ "	14 ¹ / ₄ "	16"	1"	12
P8552 □ H	12"	43 ⁵ / ₈ "	24 ³ / ₈ "	46"	17"	19"	1"	12

□ Material Code Designation: "A" - Derakane® 470; "B" - Furan; "C" - Derakane® 411

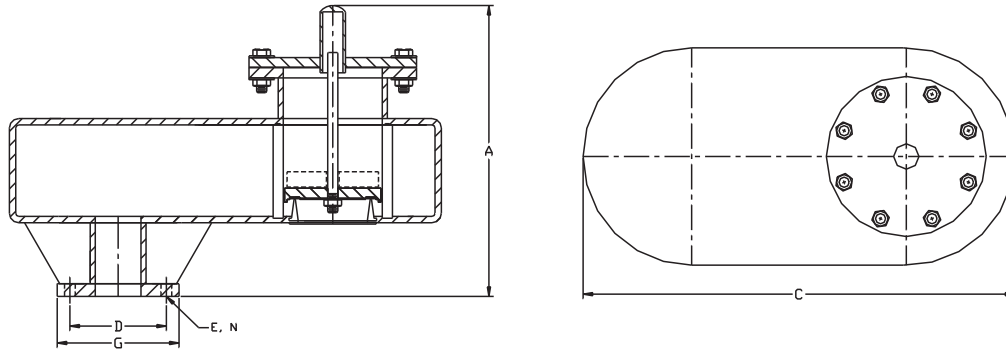
Series P18540 □ H - FRP Pipe-Away Pressure / Vacuum Breather Vent (Dimensions shown are for reference only, contact factory for certified drawings)



Cat. No.*	Flange Size Inlet x Outlet	Ht. A	Width B	Length C	F	H	B.C. D1	B.C. D2	Dia. G1	Dia. G2	Dia. E1	Dia. E2	Holes N1	Holes N2
P18542 □ H2	2" x 2"	21 ⁷ / ₈ "	10 ³ / ₄ "	23 ⁷ / ₈ "	10 ³ / ₈ "	8"	4 ³ / ₄ "	4 ³ / ₄ "	6"	6"	3/4"	3/4"	4	4
P18542 □ H3	2" x 3"	21 ⁷ / ₈ "	10 ³ / ₄ "	23 ⁷ / ₈ "	11"	8"	4 ³ / ₄ "	6"	6"	7 ¹ / ₂ "	3/4"	3/4"	4	4
P18543 □ H3	3" x 3"	23 ¹ / ₄ "	10 ³ / ₄ "	23 ⁷ / ₈ "	11 ³ / ₈ "	8"	6"	6"	7 ¹ / ₂ "	7 ¹ / ₂ "	3/4"	3/4"	4	4
P18543 □ H4	3" x 4"	23 ¹ / ₄ "	10 ³ / ₄ "	23 ⁷ / ₈ "	12 ¹ / ₈ "	8"	6"	6"	7 ¹ / ₂ "	9"	3/4"	3/4"	4	8
P18544 □ H4	4" x 4"	23 ¹ / ₄ "	15 ³ / ₈ "	33 ⁵ / ₈ "	15 ³ / ₈ "	11 ¹ / ₄ "	7 ¹ / ₂ "	7 ¹ / ₂ "	9"	9"	3/4"	3/4"	8	8
P18544 □ H6	4" x 6"	29 ¹ / ₂ "	15"	33 ⁵ / ₈ "	15 ³ / ₄ "	11 ¹ / ₄ "	7 ¹ / ₂ "	9 ¹ / ₂ "	9"	11"	3/4"	7/8"	8	8
P18546 □ H6	6" x 6"	29 ¹ / ₂ "	15"	33 ¹ / ₂ "	16 ¹ / ₂ "	11 ¹ / ₄ "	9 ¹ / ₂ "	9 ¹ / ₂ "	11"	11"	7/8"	7/8"	8	8
P18546 □ H8	6" x 8"	29 ¹ / ₂ "	15"	33 ¹ / ₂ "	17 ¹ / ₈ "	11 ¹ / ₄ "	9 ¹ / ₂ "	11 ³ / ₄ "	11"	13 ¹ / ₂ "	7/8"	7/8"	8	8
P18548 □ H10	8" x 10"	41"	20 ¹ / ₄ "	44 ¹ / ₈ "	23 ¹ / ₂ "	14"	11 ³ / ₄ "	14 ¹ / ₄ "	13 ¹ / ₂ "	16"	7/8"	1"	8	12
P18550 □ H12	10" x 12"	41"	20 ¹ / ₄ "	44 ¹ / ₈ "	24 ¹ / ₂ "	14"	14 ¹ / ₄ "	17"	16"	19"	1"	1"	12	12
P18552 □ H14	12" x 14"	45"	22 ¹ / ₂ "	49"	27 ³ / ₄ "	15 ¹ / ₄ "	17"	18 ³ / ₄ "	19"	21"	1"	1 ¹ / ₈ "	12	12

□ Material Code Designation: "A" - Derakane® 470; "B" - Furan; "C" - Derakane® 411

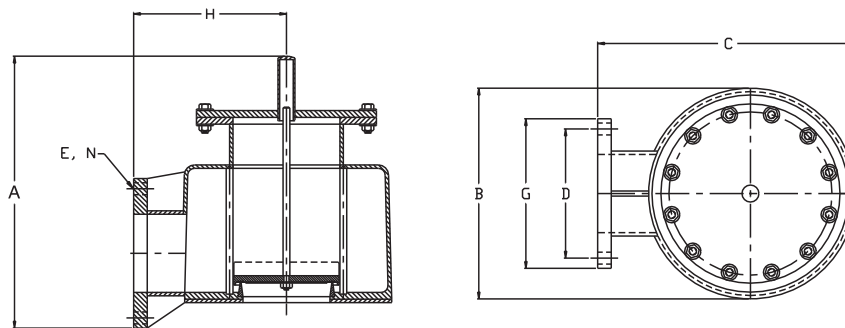
Series P6240 □ H - FRP End-of-Line Vacuum Relief Vent (Dimensions shown are for reference only, contact factory for certified drawings)



Cat. No.*	Flange Size	Ht. A	Width B	Length C	B.C. D	Dia. G	Dia. E	Holes N
P6242 □ H	2"	13 ³ / ₄ "	10 ³ / ₄ "	21 ¹ / ₄ "	4 ³ / ₄ "	6"	3/4"	4
P6243 □ H	3"	15 ⁵ / ₈ "	10 ³ / ₄ "	21 ¹ / ₄ "	6"	7 ¹ / ₂ "	3/4"	4
P6244 □ H	4"	19 ¹ / ₈ "	15"	29 ¹ / ₄ "	6"	7 ¹ / ₂ "	3/4"	8
P6246 □ H	6"	19 ¹ / ₈ "	15"	29 ¹ / ₄ "	9 ¹ / ₂ "	11"	7/8"	8
P6248 □ H	8"	26 ¹ / ₄ "	20"	40"	11 ³ / ₄ "	13 ¹ / ₂ "	7/8"	8
P6250 □ H	10"	26 ¹ / ₂ "	20"	40"	14 ¹ / ₄ "	16"	1"	12
P6252 □ H	12"	29 ¹ / ₄ "	22 ¹ / ₂ "	44 ¹ / ₄ "	17"	19"	1"	12

□ Material Code Designation: "A" - Derakane® 470; "B" - Furan; "C" - Derakane® 411

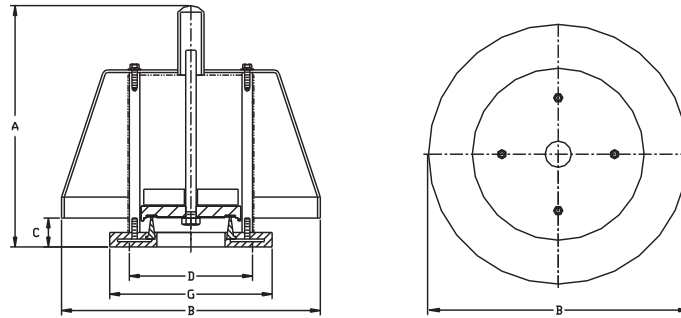
Series P16240 □ H - FRP Side Mount Vacuum Relief Vent (Dimensions shown are for reference only, contact factory for certified drawings)



Cat. No.*	Flange Size	Valve Size	Ht. A	Width B	Length C	Width H	B.C. D	Dia. G	Dia. E	Holes N
P16240 □ H2	2"	2"	14 ¹ / ₄ "	10 ³ / ₄ "	13 ³ / ₈ "	8"	4 ³ / ₄ "	6"	3/4"	4
P16240 □ H3	3"	3"	15 ³ / ₄ "	10 ³ / ₄ "	13 ³ / ₈ "	8"	6"	7 ¹ / ₂ "	3/4"	4
P16240 □ H4	4"	4"	18 ³ / ₄ "	15 ³ / ₈ "	18 ³ / ₄ "	11 ¹ / ₄ "	7 ¹ / ₂ "	9"	3/4"	8
P16240 □ H6	6"	6"	18 ¹ / ₈ "	15"	18 ³ / ₄ "	11 ¹ / ₄ "	9 ¹ / ₂ "	11"	7/8"	8
P16246 □ H8	8"	6"	18 ³ / ₄ "	15"	18 ³ / ₄ "	11 ¹ / ₄ "	11 ³ / ₄ "	13 ¹ / ₂ "	7/8"	8
P16248 □ H10	10"	8"	26 ¹ / ₈ "	20 ¹ / ₄ "	24 ¹ / ₈ "	14"	14 ¹ / ₄ "	16"	1"	12
P16250 □ H12	12"	10"	26 ³ / ₄ "	20 ¹ / ₄ "	24 ¹ / ₄ "	14"	17"	19"	1"	12

□ Material Code Designation: "A" - Derakane® 470; "B" - Furan; "C" - Derakane® 411

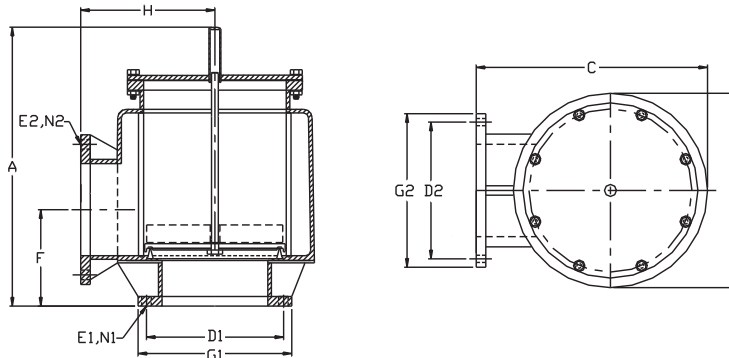
Series P7800 □ H - FRP End-of-Line Pressure Relief (Dimensions shown are for reference only, contact factory for certified drawings)



Cat. No.*	Flange Size	Ht. A	Width B	C	B.C. D	Dia. G	Dia. E	Holes N
P7802 □ H	2"	12 ¹ / ₈ "	12 ³ / ₈ "	2"	4 ³ / ₄ "	6"	5/8-11UNC	4 Studs
P7803 □ H	3"	11 ⁵ / ₈ "	12 ³ / ₈ "	1 ¹ / ₂ "	6"	7 ¹ / ₂ "	3/4"	4
P7804 □ H	4"	11 ¹ / ₄ "	11 ¹ / ₂ "	1 ⁵ / ₈ "	7 ¹ / ₂ "	9"	3/4"	8
P7806 □ H	6"	15 ⁵ / ₈ "	16 ¹ / ₄ "	2"	9 ¹ / ₂ "	11"	7/8"	8
P7808 □ H	8"	17 ³ / ₈ "	16 ¹ / ₄ "	2"	11 ³ / ₄ "	13 ¹ / ₂ "	7/8"	8
P7810 □ H	10"	18 ¹ / ₄ "	21 ¹ / ₂ "	2"	14 ¹ / ₄ "	16"	1"	12
P7812 □ H	12"	24 ³ / ₄ "	22 ¹ / ₄ "	3"	17"	19"	1"	12
P7816 □ ASA	16"	19 ³ / ₄ "	28"	1/2"	21 ¹ / ₄ "	23 ¹ / ₂ "	1 ¹ / ₈ "	16
P7820 □ ASA	20"	21"	32"	5/8"	25"	27 ¹ / ₂ "	1 ¹ / ₄ "	20
P7820 □ API	20"	21"	32"	5/8"	23 ¹ / ₂ "	26"	3/4"	16
P7824 □ ASA	24"	24 ⁵ / ₈ "	40"	1/2"	29 ¹ / ₂ "	32"	1 ³ / ₈ "	20
P7824 □ API	24"	24 ⁵ / ₈ "	40"	1/2"	27 ¹ / ₂ "	30"	3/4"	20

□ Material Code Designation: "A" - Derakane® 470; "B" - Furan; "C" - Derakane® 411

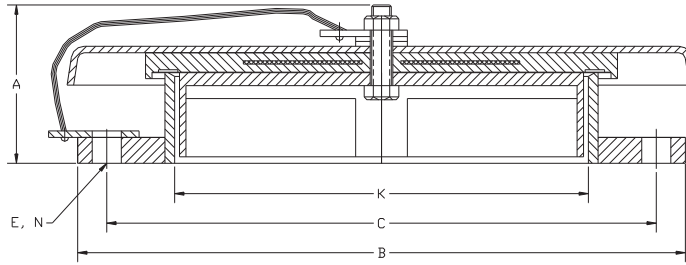
Series P17800 □ H - FRP Pipe-Away Pressure or Vacuum Breather Vent (Dimensions shown are for reference only, contact factory for certified drawings)



Cat. No.*	Flange Size Inlet x Outlet	Ht. A	Width B	Length C	F	H	B.C. D1	B.C. D2	Dia. G1	Dia. G2	Dia. E1	Dia. E2	Holes N1	Holes N2
P17802 □ H2	2" x 2"	16 ³ / ₄ "	10 ³ / ₄ "	13 ³ / ₈ "	5 ¹ / ₂ "	8"	4 ³ / ₄ "	4 ³ / ₄ "	6"	6"	3/4"	3/4"	4	4
P17802 □ H3	2" x 3"	16 ³ / ₄ "	10 ³ / ₄ "	13 ³ / ₈ "	6 ¹ / ₈ "	8"	4 ³ / ₄ "	6"	6"	7 ¹ / ₂ "	3/4"	3/4"	4	4
P17803 □ H3	3" x 3"	18 ¹ / ₂ "	10 ³ / ₄ "	13 ³ / ₈ "	6 ¹ / ₂ "	8"	6"	6"	7 ¹ / ₂ "	7 ¹ / ₂ "	3/4"	3/4"	4	4
P17803 □ H4	3" x 4"	18 ¹ / ₂ "	10 ³ / ₄ "	13 ⁷ / ₈ "	7 ¹ / ₄ "	8"	6"	7 ¹ / ₂ "	7 ¹ / ₂ "	9"	3/4"	3/4"	4	8
P17804 □ H4	4" x 4"	21 ³ / ₄ "	15 ³ / ₈ "	18 ³ / ₄ "	7 ¹ / ₂ "	11 ¹ / ₄ "	7 ¹ / ₂ "	7 ¹ / ₂ "	9"	9"	3/4"	3/4"	8	8
P17804 □ H6	4" x 6"	21 ³ / ₄ "	15"	18 ⁷ / ₈ "	7 ⁷ / ₈ "	11 ¹ / ₄ "	7 ¹ / ₂ "	9 ¹ / ₂ "	9"	11"	3/4"	7/8"	8	8
P17806 □ H6	6" x 6"	21 ¹ / ₄ "	15"	18 ³ / ₄ "	8 ⁵ / ₈ "	11 ¹ / ₄ "	9 ¹ / ₂ "	9 ¹ / ₂ "	11"	11"	7/8"	7/8"	8	8
P17806 □ H8	6" x 8"	21 ¹ / ₄ "	15"	18 ³ / ₄ "	9 ¹ / ₄ "	11 ¹ / ₄ "	9 ¹ / ₂ "	11 ³ / ₄ "	11"	13 ¹ / ₂ "	7/8"	7/8"	8	8
P17808 □ H10	8" x 10"	29"	20 ¹ / ₄ "	24 ¹ / ₈ "	10 ⁷ / ₈ "	14"	11 ³ / ₄ "	14 ¹ / ₄ "	13 ¹ / ₂ "	16"	7/8"	1"	8	12
P17810 □ H12	10" x 12"	29 ¹ / ₄ "	20 ¹ / ₄ "	24 ¹ / ₄ "	11"	14"	14 ¹ / ₄ "	17"	16"	19"	1"	1"	12	12
P17812 □ H14	12" x 14"	30 ³ / ₄ "	22 ¹ / ₂ "	26 ¹ / ₂ "	13 ¹ / ₈ "	15 ¹ / ₄ "	17"	18 ³ / ₄ "	19"	21"	1"	1 ¹ / ₈ "	12	12

□ Material Code Designation: "A" - Derakane® 470; "B" - Furan; "C" - Derakane® 411

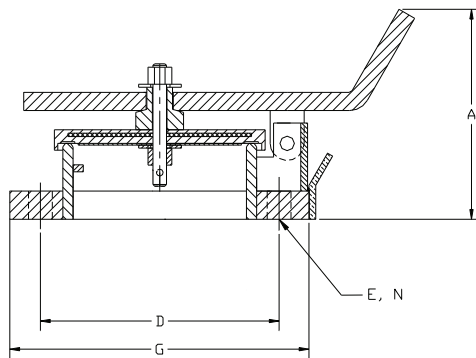
Series P53300 □ - FRP Emergency Pressure Manhole Cover Vent (Dimensions shown are for reference only, contact factory for certified drawings)



Cat. No.*	Flange Size	I.D. K	Ht. A	Width B	B.C. C	Dia. E	Holes N
P53316 □ ASA	16"	16"	6 ³ / ₄ "	23 ¹ / ₂ "	21 ¹ / ₄ "	1 ¹ / ₈ "	16
P53318 □ ASA	18"	16"	6 ³ / ₄ "	25"	22 ³ / ₄ "	1 ¹ / ₄ "	16
P53320 □ ASA	20"	20"	6 ³ / ₄ "	27 ¹ / ₂ "	25"	1 ¹ / ₄ "	20
P53320 □ API	20"	20"	6 ³ / ₄ "	26"	23 ¹ / ₂ "	³ / ₄ "	16
P53324 □ ASA	24"	24"	6 ³ / ₄ "	32"	29 ¹ / ₂ "	1 ³ / ₈ "	20
P53324 □ API	24"	24"	6 ³ / ₄ "	30"	27 ¹ / ₂ "	³ / ₄ "	20

□ Material Code Designation: "A" - Derakane® 470; "B" - Furan; "C" - Derakane® 411

Series P4980 □ - FRP Gauge Hatch (Dimensions shown are for reference only, contact factory for certified drawings)

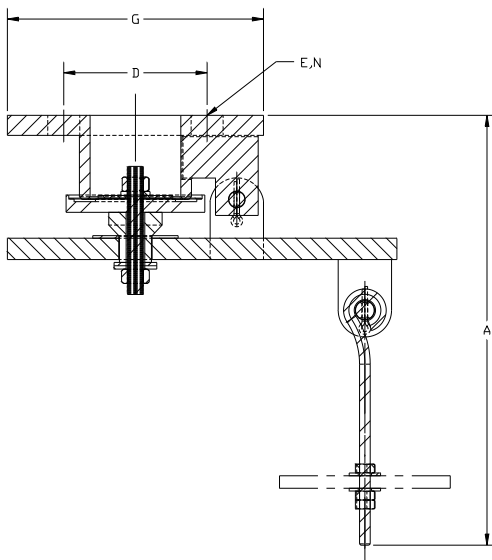


Provide ready access to storage tank's interior for inspection, gauging and sampling. A gauge hatch is intended for use where the fire protection afforded by a Protectoseal flame arrester is not considered necessary.

Cat. No.*	Flange Size	Ht. A	B.C. D	O.D. G	Dia. E	Holes N
P4984 □	4"	4"	7 ¹ / ₂ "	9"	³ / ₄ "	8
P4986 □	6"	5"	9 ¹ / ₂ "	11"	⁷ / ₈ "	8
P4988 □	8"	5 ¹ / ₂ "	11 ³ / ₄ "	13 ¹ / ₂ "	⁷ / ₈ "	8

□ Material Code Designation: "A" - Derakane® 470; "B" - Furan; "C" - Derakane® 411

Series P7300 □ - FRP Overflow Valve (Dimensions shown are for reference only, contact factory for certified drawings)



For mounting on storage tank overflow pipes. This device eliminates an open pipe connection into the vapor space of the tank. By varying the weight on the lever arm handle, the opening point of the overflow valve can be changed.

Cat. No.*	Flange Size	Ht. A	B.C. D	O.D. G	Dia. E	Holes N
P7302 □	2"	9 ⁵ / ₈ "	4 ³ / ₄ "	6"	³ / ₄ "	4
P7303 □	3"	9 ⁵ / ₈ "	6"	7 ¹ / ₂ "	³ / ₄ "	4
P7304 □	4"	9 ⁵ / ₈ "	7 ¹ / ₂ "	9"	³ / ₄ "	8
P7306 □	6"	9 ⁵ / ₈ "	9 ¹ / ₂ "	11"	⁷ / ₈ "	8

□ Material Code Designation: "A" - Derakane® 470; "B" - Furan; "C" - Derakane® 411

STANDARD PRESSURE AND/OR VACUUM SETTINGS (Consult factory for settings outside of STANDARD range.)

Series	Flange Size	MINIMUM SETTINGS		MAXIMUM SETTINGS	
		Pressure oz./in. ²	Vacuum oz./in. ²	Pressure oz./in. ²	Vacuum oz./in. ²
MATERIAL CODE DESIGNATIONS:					
□ "A" - Derakane® 470; "B" - Furan; "C" - Derakane® 411					
FRP END-OF-LINE PRESSURE / VACUUM BREATHER VENT					
P8542□H	2"	0.50	0.50	48.00	16.00
P8543□H	3"	0.50	0.50	48.00	16.00
P8544□H	4"	0.50	0.50	48.00	16.00
P8546□H	6"	0.50	0.50	48.00	16.00
P8548□H	8"	0.50	0.50	48.00	16.00
P8550□H	10"	0.50	0.50	48.00	16.00
P8552□H	12"	0.50	0.50	48.00	16.00
FRP END-OF-LINE PRESSURE / VACUUM BREATHER VENT					
P18542□H2	2" x 2"	0.50	0.50	48.00	16.00
P18542□H3	2" x 3"	0.50	0.50	48.00	16.00
P18543□H3	3" x 3"	0.50	0.50	48.00	16.00
P18543□H4	3" x 4"	0.50	0.50	48.00	16.00
P18544□H4	4" x 4"	0.50	0.50	48.00	16.00
P18546□H6	6" x 6"	0.50	0.50	48.00	16.00
P18546□H8	6" x 8"	0.50	0.50	48.00	16.00
P18548□H10	8" x 10"	0.50	0.50	48.00	16.00
P18550□H12	10" x 12"	0.50	0.50	48.00	16.00
P18552□H14	12" x 14"	0.50	0.50	48.00	16.00
FRP END-OF-LINE VACUUM RELIEF VENT					
P6242□H	2"	N/A	0.50	N/A	16.00
P6243□H	3"	N/A	0.50	N/A	16.00
P6244□H	4"	N/A	0.50	N/A	16.00
P6246□H	6"	N/A	0.50	N/A	16.00
P6248□H	8"	N/A	0.50	N/A	16.00
P6250□H	10"	N/A	0.50	N/A	16.00
P6252□H	12"	N/A	0.50	N/A	16.00
FRP SIDE MOUNT VACUUM RELIEF VENT					
P16240□H2	2"	N/A	0.50	N/A	16.00
P16240□H3	3"	N/A	0.50	N/A	16.00
P16240□H4	4"	N/A	0.50	N/A	16.00
P16240□H6	6"	N/A	0.50	N/A	16.00
P16246□H8	8"	N/A	0.50	N/A	16.00
P16248□H10	10"	N/A	0.50	N/A	16.00
P16250□H12	12"	N/A	0.50	N/A	16.00

Series	Flange Size	MINIMUM SETTINGS		MAXIMUM SETTINGS	
		Pressure oz./in. ²	Vacuum oz./in. ²	Pressure oz./in. ²	Vacuum oz./in. ²
FRP END-OF-LINE PRESSURE RELIEF VENT					
P7802□H	2"	1.00	N/A	48.00	N/A
P7803□H	3"	1.00	N/A	48.00	N/A
P7804□H	4"	1.00	N/A	48.00	N/A
P7806□H	6"	1.00	N/A	48.00	N/A
P7808□H	8"	1.00	N/A	48.00	N/A
P7810□H	10"	1.00	N/A	48.00	N/A
P7812□H	12"	1.00	N/A	48.00	N/A
P7816□ASA	16"	1.00	N/A	12.00	N/A
P7820□ASA	20"	1.00	N/A	10.00	N/A
P7820□API	20"	1.00	N/A	10.00	N/A
P7824□ASA	24"	1.00	N/A	10.00	N/A
P7824□API	24"	1.00	N/A	10.00	N/A
FRP PIPE-AWAY PRESSURE OR VACUUM RELIEF VENT					
P17802□H2	2" x 2"	0.50	0.50	48.00	16.00
P17802□H3	2" x 3"	0.50	0.50	48.00	16.00
P17803□H3	3" x 3"	0.50	0.50	48.00	16.00
P17803□H4	3" x 4"	0.50	0.50	48.00	16.00
P17804□H4	4" x 4"	0.50	0.50	48.00	16.00
P17804□H6	4" x 6"	0.50	0.50	48.00	16.00
P17806□H6	6" x 6"	0.50	0.50	48.00	16.00
P17806□H8	6" x 8"	0.50	0.50	48.00	16.00
P17808□H10	8" x 10"	0.50	0.50	48.00	16.00
P17810□H12	10" x 12"	0.50	0.50	48.00	16.00
P17812□H14	12" x 14"	0.50	0.50	48.00	16.00
FRP EMERGENCY PRESSURE MANHOLE COVER VENT					
P53316□ASA	16"	1.73	N/A	6.0	N/A
P53318□ASA	18"	1.73	N/A	6.0	N/A
P53320□ASA	20"	1.73	N/A	6.0	N/A
P53320□API	20"	1.73	N/A	6.0	N/A
P53324□ASA	24"	1.73	N/A	6.0	N/A
P53324□API	24"	1.73	N/A	6.0	N/A
FRP GAUGE HATCH					
P4984□	4"	0.75	N/A	N/A	N/A
P4986□	6"	0.75	N/A	N/A	N/A
P4988□	8"	0.75	N/A	N/A	N/A
FRP OVERFLOW VALVE					
P7302□	2"	0.50	N/A	32.0	N/A
P7303□	3"	0.50	N/A	16.0	N/A
P7304□	4"	0.50	N/A	16.0	N/A
P7306□	6"	0.50	N/A	16.0	N/A



225 Foster Ave., Bensenville, IL 60106-1690
 P 630.595.0800 F 630.595.8059
 info@protectoseal.com www.protectoseal.com