



# model AX14

AXION Advantage® Upgrade Kit

## FEATURES & BENEFITS

### SHOWERHEAD

AXION® MSR ABS plastic drench showerhead uses a hydrodynamic design to give equal distribution of water throughout the entire footprint of flow.

### EYE/FACE WASH

AXION® MSR eye/face wash head uses an inverted directional laminar flow to sweep contaminants away from the vulnerable nasal cavity.

## OPTIONS

For more information, visit [www.hawsc.com](http://www.hawsc.com) or call (888) 640-4297.



## SPECIFICATIONS

Model AX14 AXION Advantage® eye/face wash system features the AXION® MSR eye/face wash and showerhead, stainless steel connecting hardware, ANSI eyewash gauge, tape measure, complete installation instructions and ANSI compliance information. The AXION Advantage system is ANSI compliant when installed correctly based on manufacturer guidelines and when tested against the ANSI Z358.1 checklist included with the product. The materials provided offer complete ANSI compliance tools and instructions. At the current time, ANSI does not regulate product brands, models, or the interchange of product components.

## APPLICATIONS

Perfect for installed emergency equipment that might be outdated, under-performing, or potentially out of compliance with the current ANSI Z358.1 standard. Specifically, this system can replace eyewash heads that flow too low or high, unevenly, or uncomfortably, and a showerhead that flows unevenly or excessively. The user will be assured their equipment will comply with ANSI emergency protocol using the best performing eye/face wash and shower head on the market.

# PARTS BREAKDOWN

**IMPORTANT:** UNITS MUST BE FULLY TESTED AND CHECKED FOR ANSI COMPLIANCE USING ENCLOSED CHECKLIST AFTER UPGRADING THE INSTALLATION.

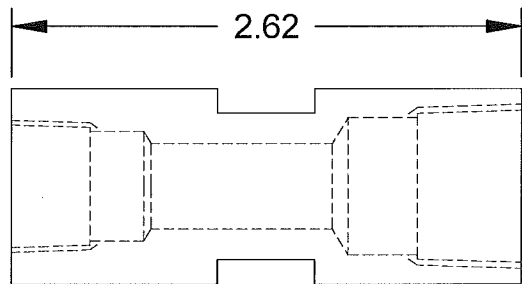
\* NOTE CORRESPONDING LETTERS ON INSTALLATION DRAWING.

## PARTS NOT SHOWN BUT SUPPLIED

- AXION SHOWER HEAD
- AXION EYE/FACE WASH ASSEMBLY
- MEASURING TAPE
- \*\* - EYEWASH GAUGE
- ANSI MIN. PERFORMANCE CHECKLIST

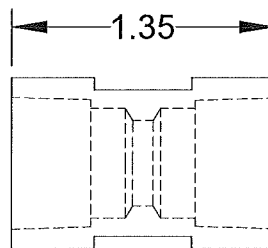
\*\* NOTE: IF PRESENT, REMOVE PAPER-BACKING PRIOR TO USE.

**OVERLAY ACTUAL ADAPTERS ON FULL SCALE OUTLINES TO ASSIST WITH ADAPTER IDENTIFICATION PROCESS**



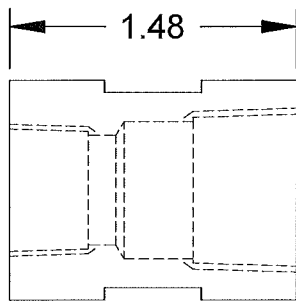
3/8" NPT (F) X 1/2" NPT (F)

(E) \*



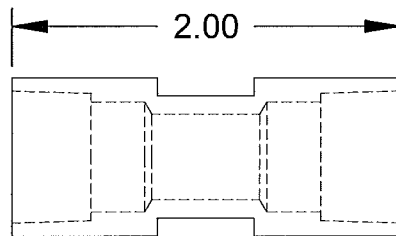
3/8" X 3/8" NPT (F)

(A) \*



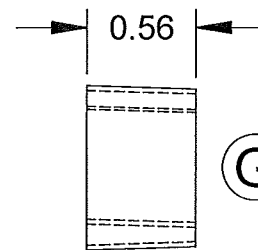
3/8" NPT (F) X 1/2" NPT (F)

(F) \*



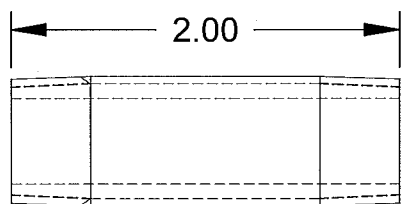
3/8" X 3/8" NPT (F)

(B) \*



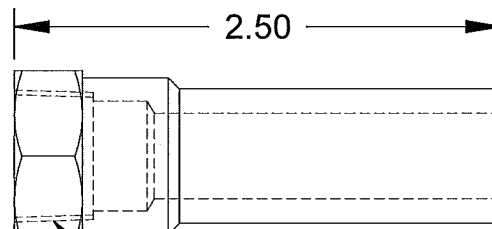
1/2" NPT (M) X 3/8" NPT (F)  
(NOTE: IF PRESENT, REMOVE COVER PRIOR TO USE)

(G) \*



3/8" NPSM 2X 3/8" NPT (M)

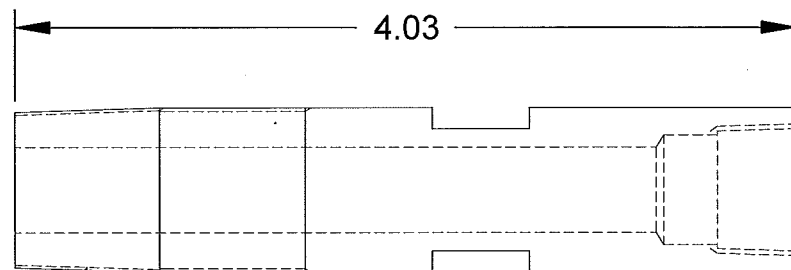
(C) \*



3/8" NPT (F)

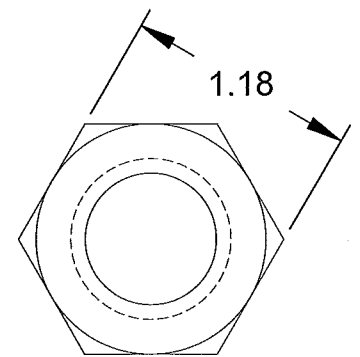
(H) \*

1/4" NPSM (F)



1/2" NPT (M) 1/2" NPSM

(D) \*

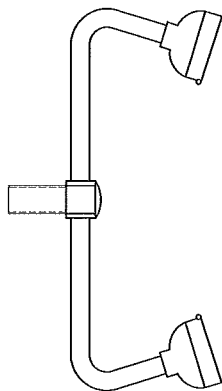


1/2" NPS NUT

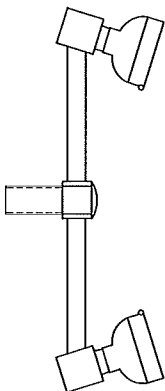
WHEN ORDERING PARTS PLEASE SPECIFY MODEL NUMBER.

		<b>Haws</b> ®		1455 KLEPPE LANE SPARKS, NEVADA 89431 (775) 359-4712 FAX (775) 359-7424 E-MAIL: HAWS@HAWSCO.COM WEBSITE: WWW.HAWSCO.COM	
		ECN NO. 4858 REVISIONS: 1 DRAWN: H. MERRITT APPROVED: [Signature]	REVISED PER: JMD DATE: 08/11/13	MODEL(S) AX14 & AX14S AXION® ADVANTAGE™	PART NUMBER 0002080248
SCALE: 1:1		DRAWING TYPE: PARTS BREAKDOWN	SIZE: A	SHEET 1 OF 1	

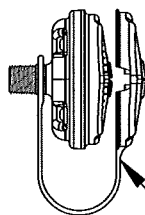
# TO UPGRADE ACORN UNITS



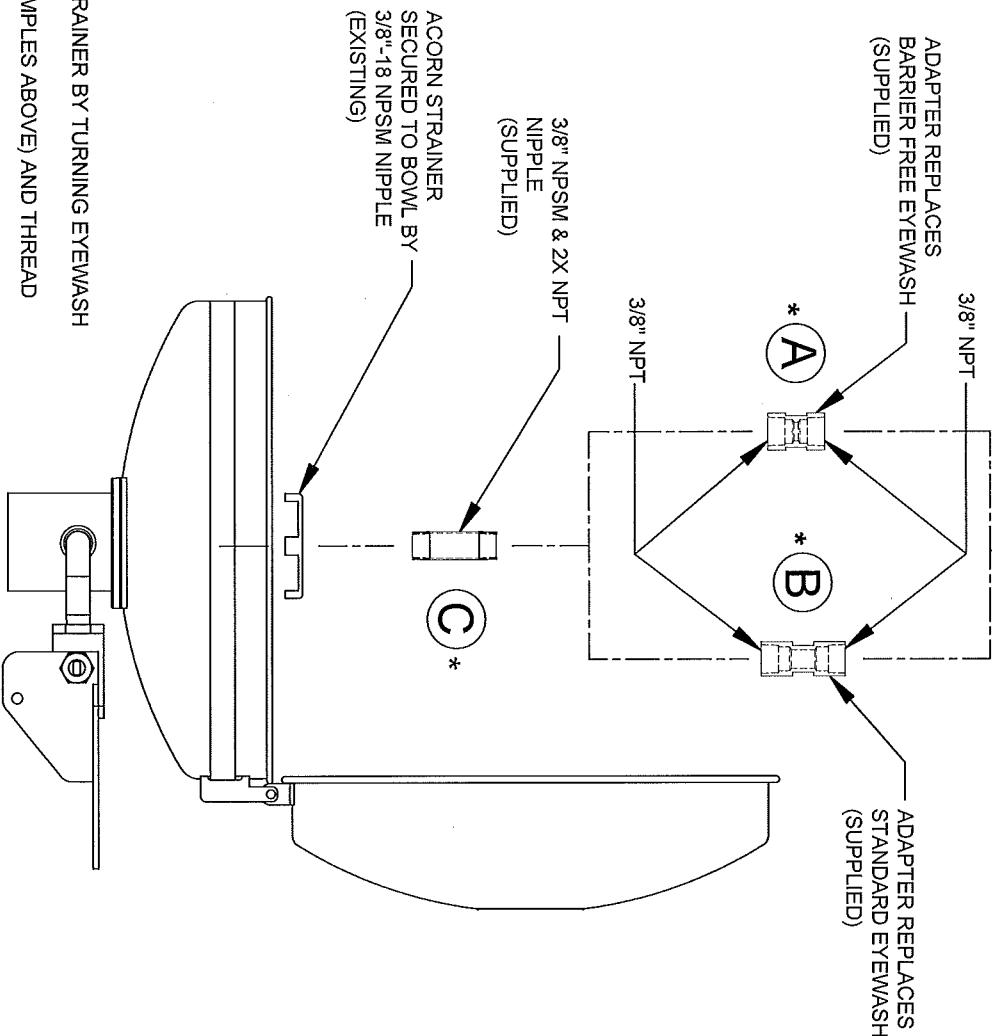
ACORN STANDARD EYEWASH



ACORN BARRIER FREE EYEWASH



AXION EYEWASH WASH HEAD & DUST COVER (SUPPLIED) SEE CLEANING DETAIL (SHEET 6 OF 6)



**NOTES:**

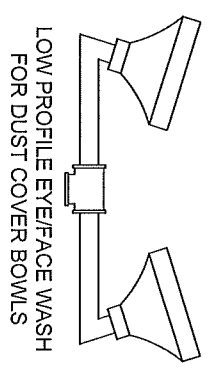
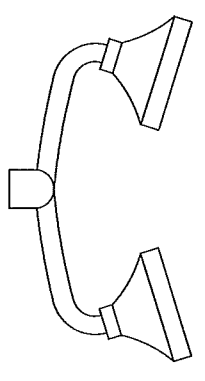
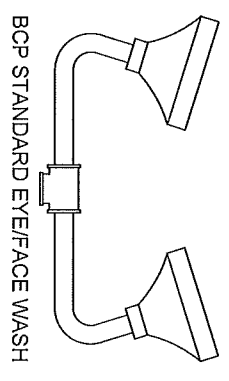
NOT FOR USE ON ANY FREEZE RESISTANT UNITS.  
 \* NOTE CORRESPONDING LETTERS ON PARTS BREAKDOWN DRAWING.

**INSTALLATION INSTRUCTIONS:**

1. REMOVE EXISTING ACORN EYEWASH ASSEMBLY FROM BOWL AND STRAINER BY TURNING EYEWASH ASSEMBLY COUNTER CLOCKWISE.
2. CONNECT 3/8"-18 NPSM NIPPLE TO APPROPRIATE ADAPTER (SEE EXAMPLES ABOVE) AND THREAD STRAINER ONTO NIPPLE.
3. CONNECT NIPPLE TO BOWL AND TIGHTEN ASSEMBLY USING WRENCH. USE SEALANT AS NECESSARY.
4. UNTHREAD STRAINER (ROTATE CLOCKWISE) UNTIL IT IS SECURE AGAINST BOWL.
5. FLUSH SYSTEM TO REMOVE LINE DEBRIS PRIOR TO INSTALLING AXION PRODUCTS.
6. PLACE AXION EYEWASH WASH SHANK THROUGH DUST COVER LOOP AND CONNECT TO ADAPTER.
7. ORIENT TAB (SEE SHEET 6 OF 6) ON AXION EYEWASH WASH TOWARDS THE BACK (AWAY FROM USER). DO NOT OVER-TIGHTEN.
8. FULLY TEST UNIT AND CHECK FOR ANSI COMPLIANCE USING ENCLOSED CHECKLIST AFTER UPGRADING THE INSTALLATION.

		1455 KLEPPE LANE SPARKS, NEVADA 89431 (775) 359-4712 FAX (775) 359-7424 E-MAIL: HAWS@HAWSCCO.COM WEBSITE: WWW.HAWSCCO.COM	
EXISTING REVISIONS PERMITTED BY:	MODEL(S)	AX14 & AX14S	PART NUMBER
AX14	AX14S	AXION® ADVANTAGE™	0002080248.D
DRAWING APPROVAL:	SCALE: 1:1/32	DRAWING TYPE: INSTALLATION	DRAWING NO. 19284A
APPROVER: <i>[Signature]</i>	SCALE: 1:1/32	DRAWING TYPE: INSTALLATION	REV 1
DATE: 11/13	SCALE: 1:1/32	DRAWING TYPE: INSTALLATION	SIZE: A SHEET 1 OF 7

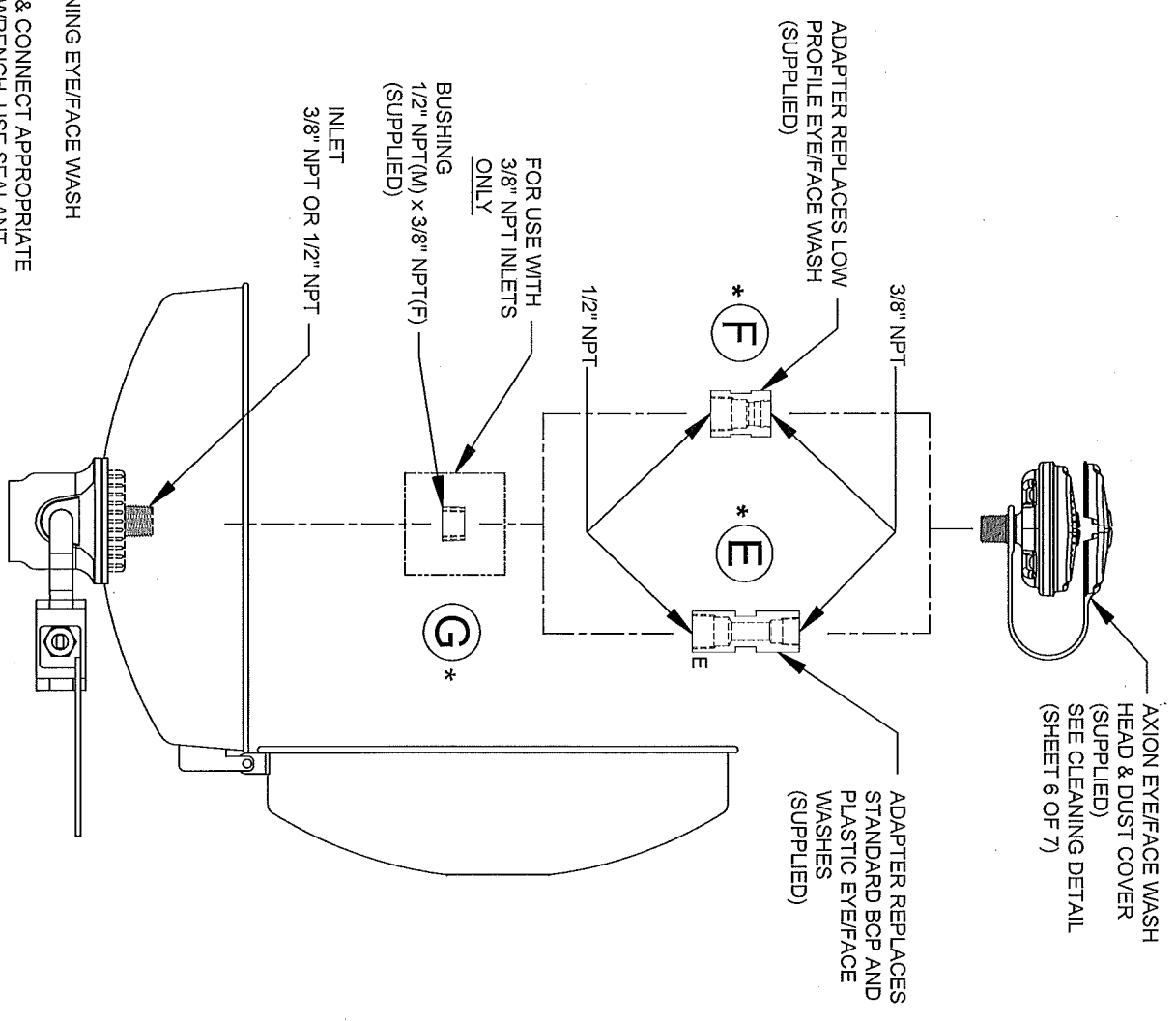
# TO UPGRADE ENCON UNITS



**NOTES:**  
 NOT FOR USE ON ANY FREEZE RESISTANT UNITS.  
 \* NOTE CORRESPONDING LETTERS ON PARTS BREAKDOWN DRAWING.

## INSTALLATION INSTRUCTIONS:

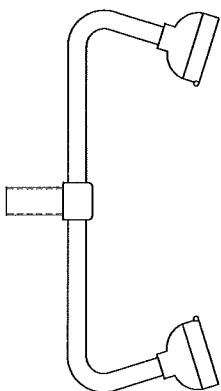
1. REMOVE EXISTING ENCON EYE/FACE WASH ASSEMBLY FROM BOWL BY TURNING EYE/FACE WASH ASSEMBLY COUNTER CLOCKWISE.
2. FOR 3/8" NPT INLET MODELS: CONNECT BUSHING TO 3/8" NPT SUPPLY INLET & CONNECT APPROPRIATE ADAPTER TO BUSHING (SEE EXAMPLES ABOVE). TIGHTEN ASSEMBLY USING WRENCH, USE SEALANT AS NECESSARY.
3. FLUSH SYSTEM TO REMOVE LINE DEBRIS PRIOR TO INSTALLING AXION PRODUCTS.
4. PLACE AXION EYE/FACE WASH SHANK THROUGH DUST COVER LOOP AND CONNECT TO ADAPTER.
5. ORIENT TAB (SEE SHEET 6 OF 6) ON AXION EYE/FACE WASH TOWARDS THE BACK (AWAY FROM USER). DO NOT OVER-TIGHTEN.
6. FULLY TEST UNIT AND CHECK FOR ANSI COMPLIANCE USING ENCLOSED CHECKLIST AFTER UPGRADING THE INSTALLATION.



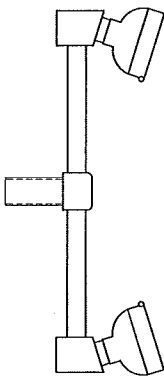
1455 KLEPPE LANE  
 SPARKS, NEVADA 89431  
 (775) 359-4712 FAX (775) 359-7424  
 E-MAIL: HAWS@HAWSCO.COM  
 WEBSITE: WWW.HAWSCO.COM

ENCON REVISED PER: [Signature]	MODEL(S)	AX14 & AX14S
DATE: 11/13/13	DRAWING TYPE: INSTALLATION	SIZE: A SHEET 2 OF 7
DRAWN BY: [Signature]	SCALE: 1:1	PART NUMBER: 0002080248.D
APPROVED: [Signature]	DATE: 11/13/13	DRAWING NO: 162844
		REV: 1

# TO UPGRADE GUARDIAN UNITS



GUARDIAN STANDARD EYEWASH

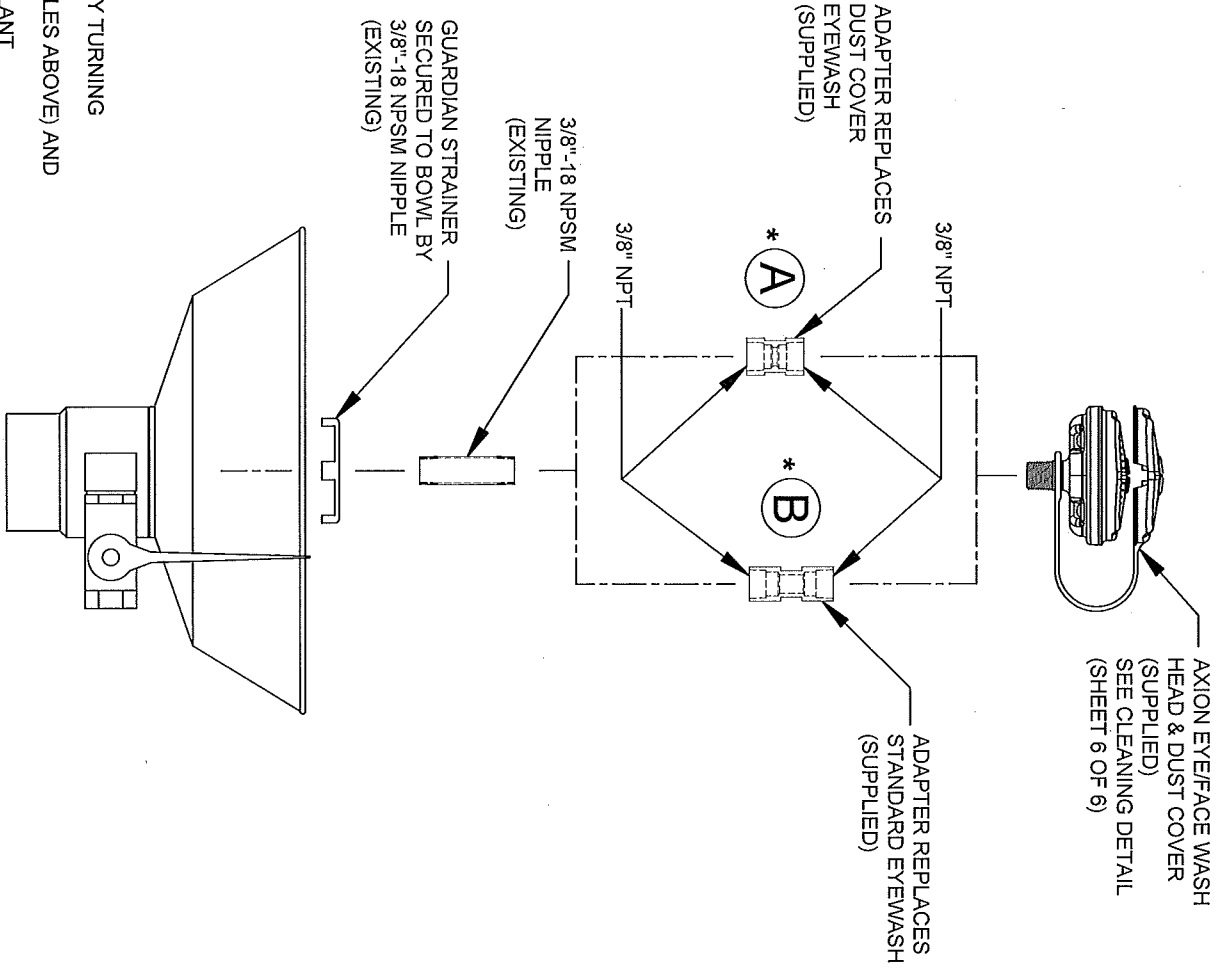


GUARDIAN DUST COVER EYEWASH

**NOTE:**  
 NOT FOR USE ON ANY FREEZE RESISTANT UNITS.  
 \* NOTE CORRESPONDING LETTERS ON PARTS BREAKDOWN DRAWING.

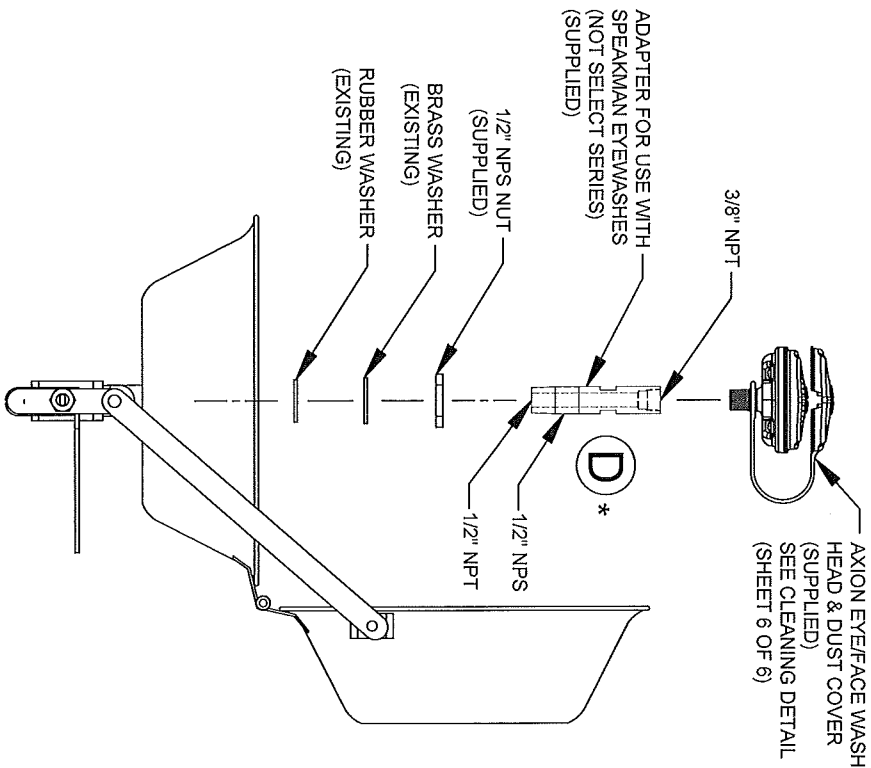
**INSTALLATION INSTRUCTIONS:**

1. REMOVE EXISTING GUARDIAN EYEWASH ASSEMBLY FROM BOWL AND STRAINER BY TURNING EYEWASH ASSEMBLY COUNTER CLOCKWISE.
2. CONNECT EXISTING 3/8"-18 NPSM NIPPLE TO APPROPRIATE ADAPTER (SEE EXAMPLES ABOVE) AND THREAD STRAINER ONTO NIPPLE.
3. CONNECT NIPPLE TO BOWL AND TIGHTEN ASSEMBLY USING WRENCH, USING SEALANT AS NECESSARY.
4. UNTHREAD STRAINER (ROTATE CLOCKWISE) UNTIL SECURE AGAINST BOWL.
5. FLUSH SYSTEM TO REMOVE DEBRIS PRIOR TO INSTALLING AXION PRODUCTS.
6. PLACE AXION EYEFACE WASH SHANK THROUGH DUST COVER LOOP AND CONNECT TO ADAPTER.
7. ORIENT TAB (SEE SHEET 6 OF 6) ON AXION EYEFACE WASH TOWARDS THE BACK (AWAY FROM USER). DO NOT OVER-TIGHTEN.
8. FULLY TEST UNIT AND CHECK FOR ANSI COMPLIANCE USING ENCLOSED CHECKLIST AFTER UPGRADING THE INSTALLATION.



		1455 KLEPPE LANE SPARKS, NEVADA 89431 (775) 359-4712 FAX (775) 359-7424 E-MAIL: HAWS@HAWSCO.COM WEBSITE: WWW.HAWSCO.COM	
ENGINEERED PERIODICALLY	MODEL(S)	AX14 & AX14S	PART NUMBER 0002080248.D
DRAWING NO. 192844	AXION® ADVANTAGE™	INSTALLATION	DRAWING NO. 192844
APPROVED: [Signature]	SCALE: 1:1/25	DRAWING TYPE:	SIZE: A SHEET 3 OF 7

## TO UPGRADE SPEAKMAN UNITS

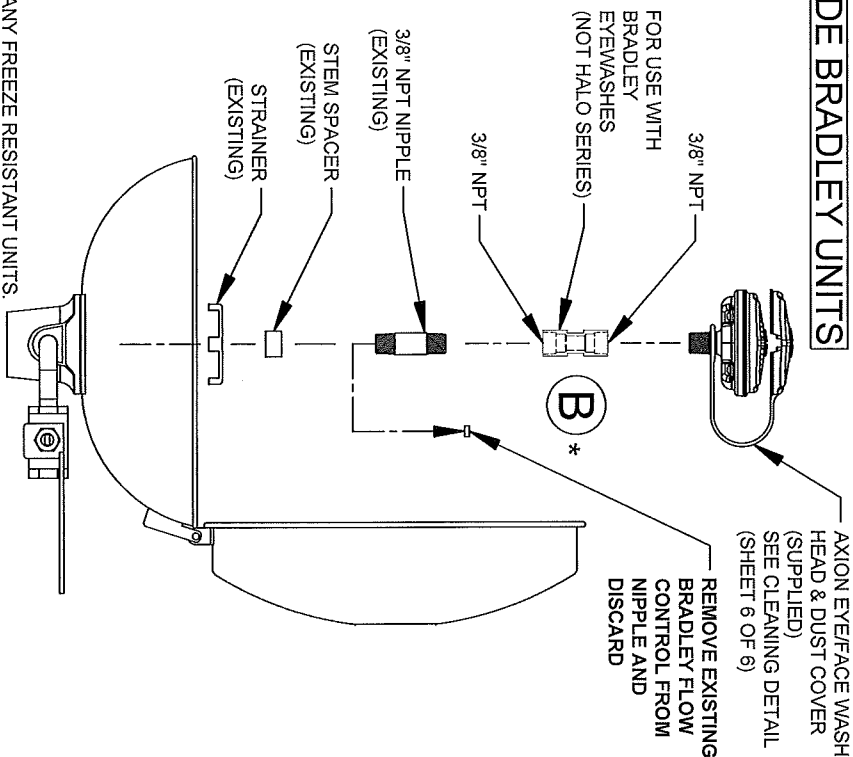


**NOTE:**  
NOT FOR USE ON ANY FREEZE RESISTANT UNITS.  
\* NOTE CORRESPONDING LETTERS ON PARTS BREAKDOWN DRAWING.

### INSTALLATION INSTRUCTIONS:

1. REMOVE EXISTING SPEAKMAN EYEWASH ASSEMBLY FROM BOWL BY TURNING EYEWASH ASSEMBLY COUNTER CLOCKWISE.
2. FULLY THREAD 1/2" NPS NUT ONTO ADAPTER.
3. ASSEMBLE ADAPTER AND WASHERS AS SHOWN ABOVE.
4. CONNECT ADAPTER TO BOWL AND TIGHTEN USING WRENCH TO TURN THE ADAPTER. USE SEALANT AS NECESSARY.
5. FLUSH SYSTEM TO REMOVE LINE DEBRIS PRIOR TO INSTALLING AXION PRODUCTS.
6. UNTHREAD 1/2" NPS NUT (CLOCKWISE ROTATION) TO SECURE THE ADAPTER TO THE BOWL AND COMPRESS WASHERS AND SEAL BOWL. CHECK FOR LEAKS AFTER INSTALLING.
7. PLACE AXION EYE/FACE WASH SHANK THROUGH DUST COVER LOOP AND CONNECT TO ADAPTER.
8. ORIENT TAB (SEE SHEET 6 OF 6) ON AXION EYE/FACE WASH TOWARDS THE BACK (AWAY FROM USER). DO NOT OVER-TIGHTEN.
9. FULLY TEST UNIT AND CHECK FOR ANSI COMPLIANCE USING ENCLOSED CHECKLIST AFTER UPGRADING THE INSTALLATION.

## TO UPGRADE BRADLEY UNITS



**NOTE:**  
NOT FOR USE ON ANY FREEZE RESISTANT UNITS.  
\* NOTE CORRESPONDING LETTERS ON PARTS BREAKDOWN DRAWING.

### INSTALLATION INSTRUCTIONS:

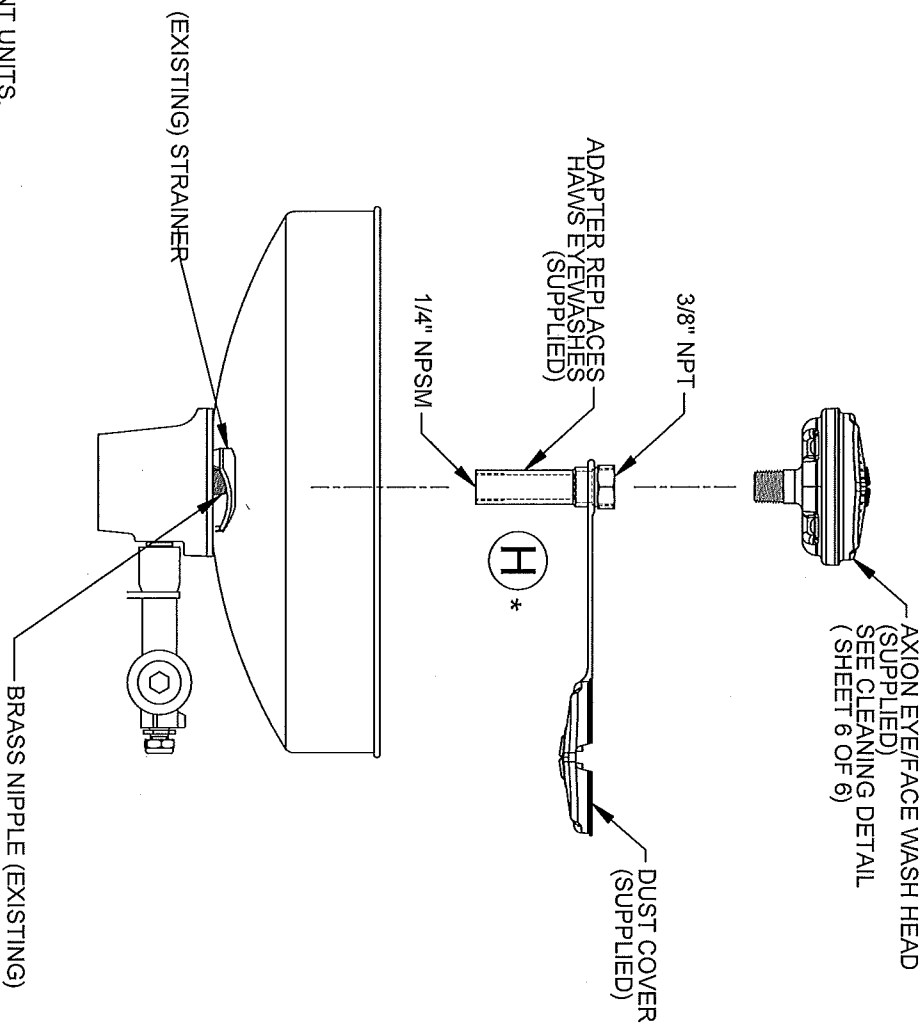
1. REMOVE EXISTING BRADLEY EYEWASH ASSEMBLY FROM BOWL BY TURNING EYEWASH ASSEMBLY COUNTER CLOCKWISE.
2. SEPARATE 3/8" NPT NIPPLE. REMOVE PLASTIC FLOW CONTROL IN THE BOTTOM OF THE NIPPLE AND DISCARD.
3. CONNECT 3/8" NPT NIPPLE TO ADAPTER AND ASSEMBLE THE ADAPTER, NIPPLE, STEM SPACER, AND STRAINER AS SHOWN ABOVE.
4. CONNECT NIPPLE TO BOWL AND TIGHTEN ASSEMBLY USING WRENCH. USE SEALANT AS NECESSARY.
5. FLUSH SYSTEM TO REMOVE LINE DEBRIS PRIOR TO INSTALLING AXION PRODUCTS.
6. PLACE AXION EYE/FACE WASH SHANK THROUGH DUST COVER LOOP AND CONNECT TO ADAPTER.
7. ORIENT TAB (SEE SHEET 6 OF 6) ON AXION EYE/FACE WASH TOWARDS THE BACK (AWAY FROM USER). DO NOT OVER-TIGHTEN.
8. FULLY TEST UNIT AND CHECK FOR ANSI COMPLIANCE USING ENCLOSED CHECKLIST AFTER UPGRADING THE INSTALLATION.



1455 KLEPPE LANE  
SPARKS, NEVADA 89431  
(775) 359-4712 FAX (775) 359-7424  
E-MAIL: HAWS@HAWSCCO.COM  
WEBSITE: WWW.HAWSCCO.COM

ECN NO. REVISED PER BR:	MODEL(S)	PART NUMBER
4359	AX14 & AX14S	0002080248.D
DRYBACK	AXION® ADVANTAGE™	DRAWING NO.
APPROVAL DATE	SCALE: 1:125 DRAWING TYPE: INSTALLATION	16284A
	SIZE: A SHEET: 4 OF 7	REV
		1

# TO UPGRADE HAWS UNITS



**NOTE:**

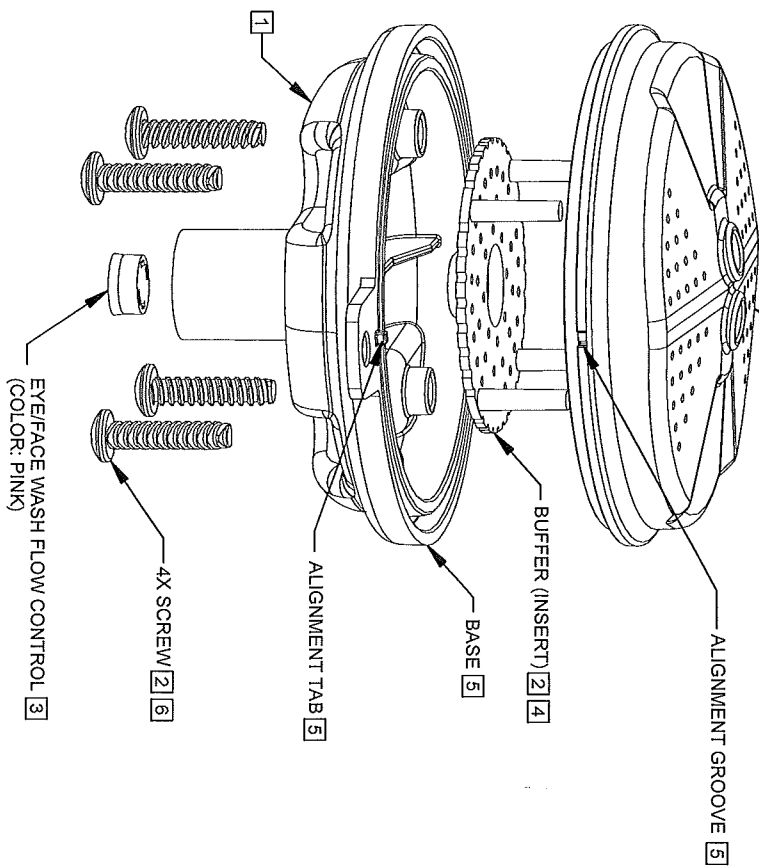
NOT FOR USE ON ANY FREEZE RESISTANT UNITS.  
 \*NOTE CORRESPONDING LETTERS ON PARTS BREAKDOWN DRAWING.

**INSTALLATION INSTRUCTIONS:**

1. REMOVE EXISTING HAWS EYEWASH ASSEMBLY FROM BOWL BY TURNING EYEWASH ASSEMBLY COUNTER CLOCKWISE. DO NOT REMOVE SUPPLY NIPPLE FROM BOWL HOLDER.
2. PLACE HAWS ADAPTER THROUGH DUST COVER LOOP. THREAD HAWS ADAPTER ONTO SUPPLY NIPPLE UNTIL SNUG AGAINST EXISTING STRAINER. USE SEALANT AS NECESSARY.
3. FLUSH SYSTEM TO REMOVE LINE DEBRIS PRIOR TO INSTALLING AXION PRODUCTS.
4. THREAD AXION EYE/FACE WASH ONTO ADAPTER. ORIENT TAB (SEE SHEET 6 OF 6) TOWARDS THE BACK (AWAY FROM THE USER). DO NOT OVER TIGHTEN.
5. PLACE DUST COVER ONTO EYE/FACE WASH.
6. SUPPLIED HAWS ADAPTER MAY NOT BE REQUIRED IN SOME APPLICATIONS.
7. FULLY TEST UNIT AND CHECK FOR ANSI COMPLIANCE USING ENCLOSED CHECKLIST AFTER UPGRADING THE INSTALLATION.

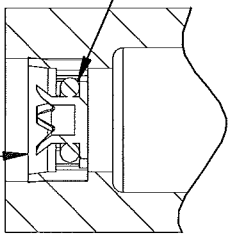
		1455 KLEPPLE LANE SPARKS, NEVADA 89431 (775) 399-4712 FAX (775) 399-7424 E-MAIL: HAWS@HAWSCC.COM WEBSITE: WWW.HAWSCC.COM	
EQN NO. REVISED PER BY: _____ DRAWING: 4898 EQN: 4898 PLOT: _____ J. VACK: 1/21/13 1/21/13 APPROVER: _____	MODEL(S) AX14 & AX14S AXION® ADVANTAGE™	SCALE: 1:2 DRAWING TYPE: INSTALLATION	PART NUMBER: 0002080248 D DRAWING NO: 16284A REV: 1

EYE/FACE WASH HEAD HAS 2 LARGE OPENINGS (FOR EYES) AND MULTIPLE SMALLER OPENINGS (FOR FACEWASH)



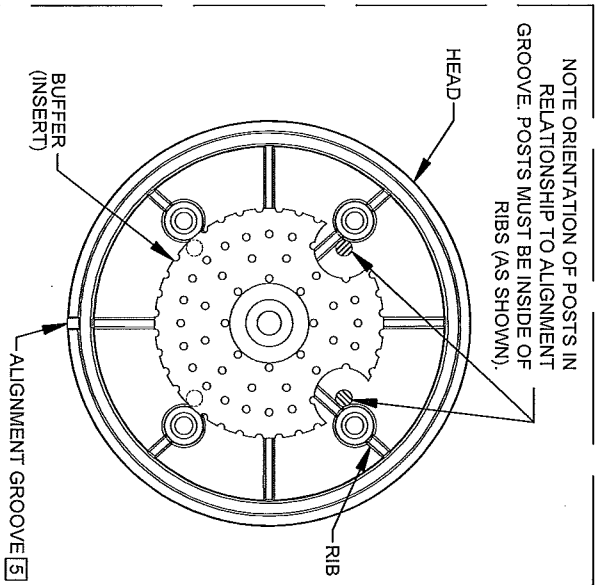
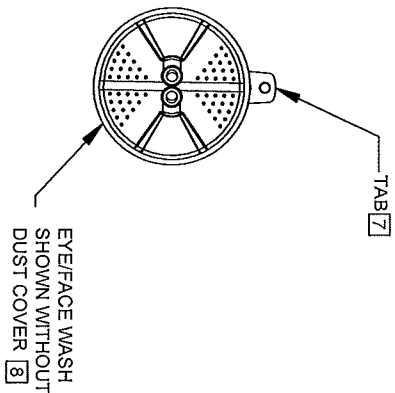
FLOW CONTROL SHOWN IN PLACE  
NOTE: PRESS FLOW CONTROL IN UNTIL IT BOTTOMS OUT

3 DETAIL A



**FLOW CONTROL CLEANING STEPS:**

- 1 UNSCREW EYE/FACE WASH ASSEMBLY FROM ADAPTER (NOT SHOWN).
- 2 REMOVE SCREWS (QTY. 4) FROM EYE/FACE WASH ASSEMBLY. REMOVE EYE/FACE WASH HEAD AND BUFFER (INSERT).
- 3 REMOVE EXISTING FLOW CONTROL FROM BASE BY PUSHING IT OUT FROM THE TOP AND CAREFULLY REMOVE ANY DEBRIS LODGED BETWEEN O-RING AND HOUSING OR OPENINGS. ALSO, CHECK FOR ANY SEDIMENT OR MINERAL DEPOSITS BLOCKING OPENINGS. EXERCISE CAUTION NOT TO DAMAGE OR LOSE O-RING IN THE PROCESS. ALL OPENINGS ON FLOW CONTROL MUST BE FREE AND CLEAR OF ANY OBSTRUCTIONS FOR FLOW CONTROL TO FUNCTION PROPERLY. REINSTALL FLOW CONTROL. SEE DETAIL A FOR ORIENTATION.
- 4 INSERT BUFFER (INSERT) INTO EYE/FACE WASH HEAD NOTING ORIENTATION OF POST IN RELATIONSHIP TO ALIGNMENT GROOVE AS SHOWN ON DETAIL B.
- 5 REASSEMBLE EYE/FACE WASH HEAD, MAKING SURE THAT ALIGNMENT GROOVE ON EYE/FACE WASH HEAD LINES UP WITH ALIGNMENT TAB ON BASE.
- 6 REINSTALL SCREWS (QTY. 4) INTO THE EYE/FACE WASH ASSEMBLY. TIGHTEN SNUG TO ENSURE A WATERTIGHT SEAL. DO NOT OVER-TIGHTEN. TORQUE SPEC: 4 IN. LBS. MAX
- 7 REASSEMBLE EYE/FACE WASH ASSEMBLY ONTO ADAPTER (NOT SHOWN). ORIENT TAB TOWARDS THE BACK (AWAY FROM USER). DO NOT OVER-TIGHTEN.
- 8 PLACE DUST COVER (NOT SHOWN) ONTO EYE/FACE WASH.



4 DETAIL B

**AXION EYE/FACE WASH  
CLEANING DETAIL**

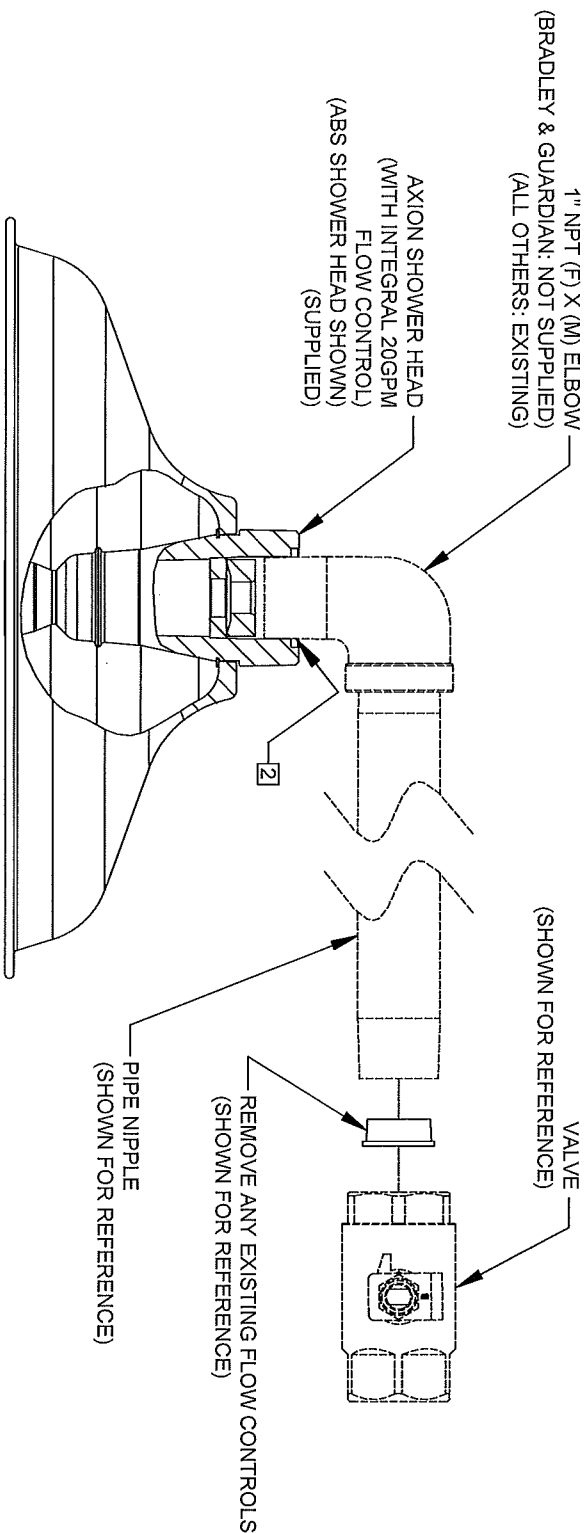


**Haws**

1455 KLEPPE LANE  
SPARKS, NEVADA 89431  
(775) 359-4712 FAX (775) 359-7424  
E-MAIL: HAWS@HAWSCCO.COM  
WEBSITE: WWW.HAWSCCO.COM

ECU NO. REVISED PER BY: J.M. 4838 DRAWN BY: J.M. J. HAWES APPROVED: J. HAWES SCALE: 1:18 DRAWING TYPE: INSTALLATION SIZE: A SHEET: 6 OF 7	MODEL(S) AX14 & AX14S AXION® ADVANTAGE™	PART NUMBER 0002080248 D DRAWING NO. 16284A REV 1
---	---	--





NOTES:

1. TO COMPLY WITH ANSI Z358.1-2009 FOR EMERGENCY EYEWASH OR EYE/FACE WASH AND SHOWER EQUIPMENT:
  - UNIT SHALL BE INSTALLED IN ACCORDANCE WITH MANUFACTURER'S INSTRUCTIONS AND ACCEPTABLE PLUMBING PRACTICES.
  - SHOWER SHALL BE POSITIONED SO THAT SHOWER HEAD IS NOT LESS THAN 208.3 CM (82 IN.) NOR MORE THAN 243.8 CM (96 IN.) FROM SURFACE ON WHICH USER STANDS.
  - SHOWER SPRAY PATTERN SHALL HAVE A MINIMUM DIAMETER OF 50.8 CM (20 IN.) AT 152.4 CM (60 IN.) ABOVE SURFACE ON WHICH USER STANDS, AND CENTER OF SPRAY PATTERN SHALL BE LOCATED AT LEAST 40.6 CM (16 IN.) FROM ANY OBSTRUCTION.
2. DO NOT USE REGULAR PIPE SEALANT. IF NECESSARY USE DOW CORNING 832 SEALANT, PLACING 5 SMALL BEADS ON THE MALE THREADS, JUST ABOVE THE FIRST THREAD.



1485 KLEPPE LANE  
SPARKS, NEVADA 89431  
(775) 359-4712 FAX (775) 359-7424  
E-MAIL: HAWS@HAWSCO.COM  
WEBSITE: WWW.HAWSCO.COM

ECN NO. REVISED PER BY:	MODEL(S)
4839	AX14 & AX14S
DATE: 12/21/12	AXION@ADVANTAGE™
SCALE: 11:125	INSTALLATION
DRAWING NO. 162844	PART NUMBER 0002080248.D
REV 1	