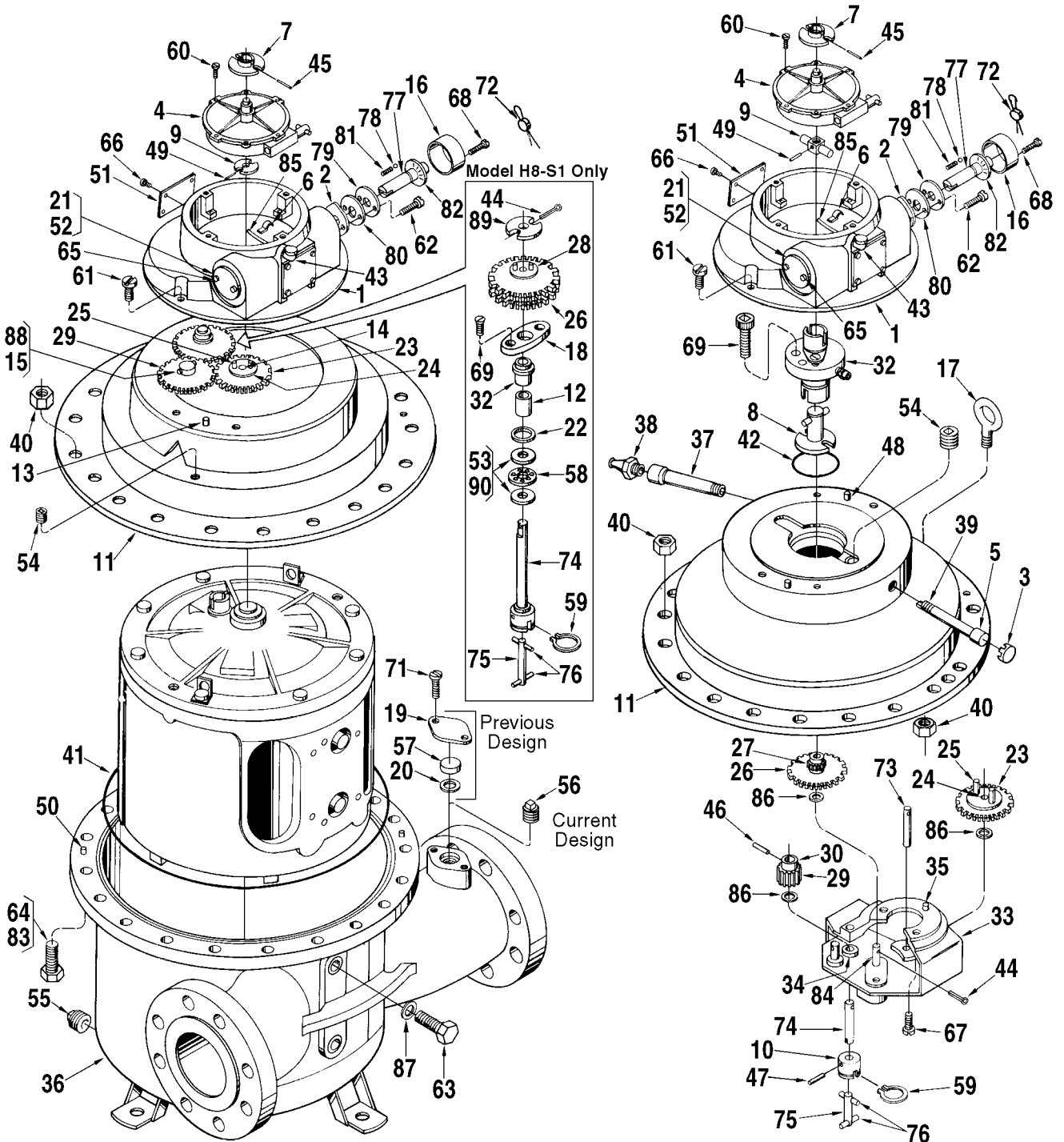
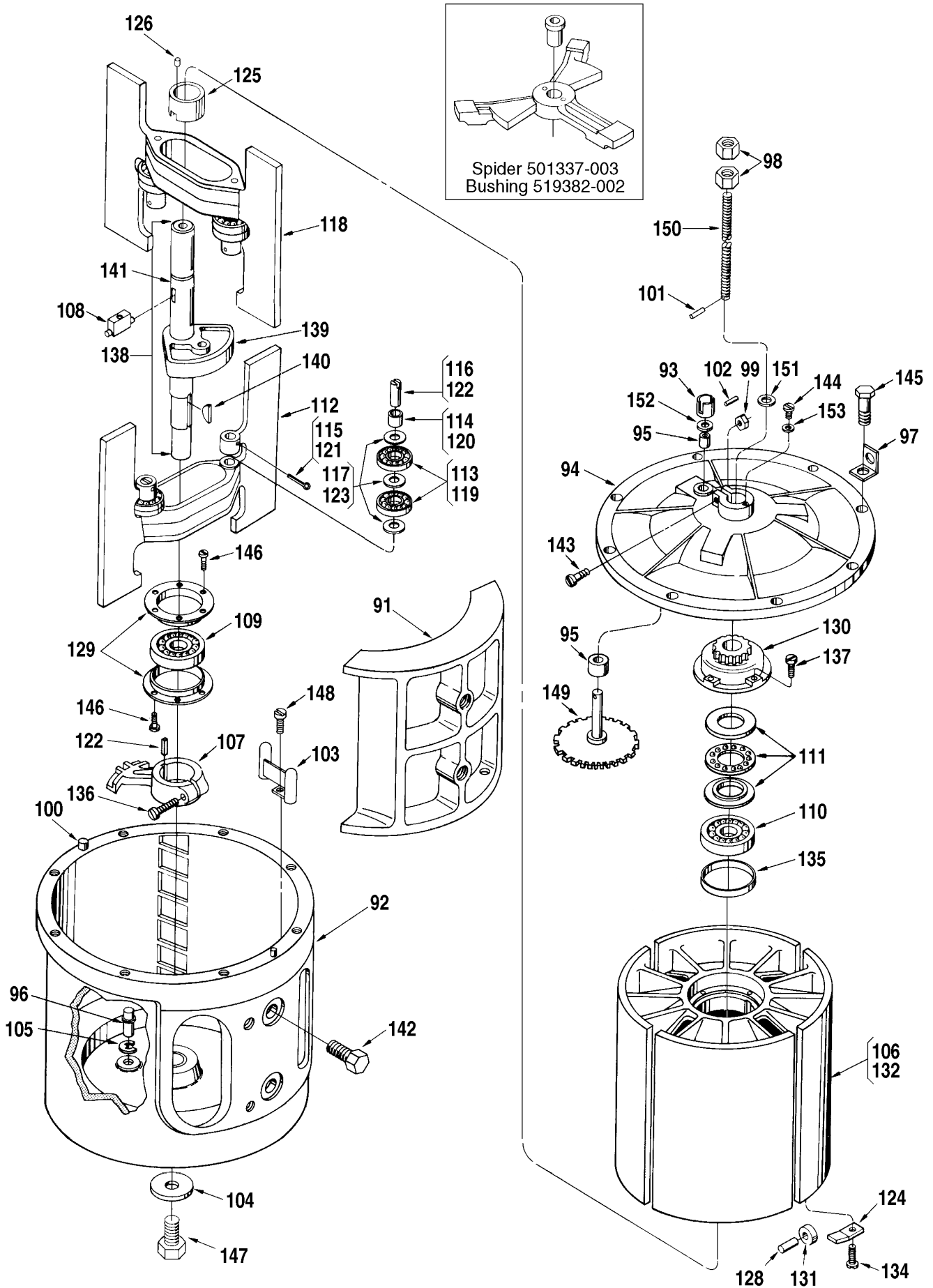


Meter, PD Series, H8-S1, S3, S5, S6 and S7

Bulletin PO01010 Issue/Rev. 0.2 (1/18)





Item		Description	Quantity	Part Number		
				H8-S1	H8-S3, S5	H8-S6, S7
1		Adapter	1	518350-001	511946-001	515755-001
2		Adapter, Calibrator Adjusting Stem	1	512372-001	512372-001	512372-001
3		Blank	1	-----	-----	015533-401
4	+	Calibrator:				
		Dummy	1	516105-001	516105-001	516105-001
		Standard	1	512059-001	512059-001	512059-001
		Temperature Corrected, Standard	1	512060-001	512060-001	512060-001
	@1	Temperature Corrected, Special Temp. or API	1	516130-xxx	516130-xxx	516130-xxx
5		Cap:				
		Standard	1	-----	641746-401	-----
		NACE	1	-----	645238-401	-----
6		Clamp, Oil Tube	1	003905-001	003905-001	003905-001
7	+	Coupling, Drive	1	072103-001	072103-001	072103-001
8		Coupling, Drive:				
		S6	1	-----	-----	518321-003
		S7	1	-----	-----	518321-006
9		Coupling, Input	1	014356-001	003821-001	005969-001
10		Coupling, Jackshaft	1	-----	514633-001	514633-001
11		Cover Assembly, Outer:				
		S7 Only	1	-----	-----	P8000009595
		All Others, Standard	1	513051-091	513628-091	516046-091
		NACE	1	552486-091	551661-091	-----
12		Bushing	1	519882-002	-----	-----
13		Pin, Groove, 3/16 x 3/8"	2	641007-401	-----	-----
14		Shaft, Calibrator Drive Gear	1	003775-001	-----	-----
15		Shaft, Idler Pinion Gear	1	512077-001	-----	-----
16		Cover, Knob	1	003553-001	003553-001	003553-001
17		Eyebolt	2	065433-401	065433-401	065433-005
18		Flange, Packing Gland	1	010171-001	-----	-----
19		Flange, Temperature Well Plug (Previous Design)	1	011941-001	011941-001	-----
20		Gasket, Temperature Well (Previous Design)	1	060341-001	060341-001	060341-001
21		Gasket, Cover Plate	1	003834-001	003834-001	003834-001
22	+	Gasket, Packing Gland	1	010173-001	-----	-----
23		Gear, Calibrator Drive:				
		U.S. Barrels, Standard and All Iron	1	513059-001	513059-001	513059-001
		U.S. Barrels, LPG	1	513059-001	-----	-----
		Hectolitres, Standard and All Iron	1	514803-001	514803-001	514803-001
		Hectolitres, LPG	1	514803-001	515172-001	515172-001
24		Bushing:				
		Standard and All Iron	1	013372-001	013372-001	013372-001
		LPG	1	013372-001	504653-001	504653-001
25		Pin	2	003325-001	003325-001	003325-001

Item		Description	Quantity	Part Number		
				H8-S1	H8-S3, S5	H8-S6, S7
26		Gear, Intermediate Pinion:				
		U.S. Barrels, Standard and All Iron	1	518443-001	515164-001	515164-001
		U.S. Barrels, LPG	1	518443-001	515164-001	515164-001
		Hectolitres, Standard and All Iron	1	518441-001	514814-001	514814-001
		Hectolitres, LPG	1	518441-001	515171-001	515171-001
27		Bushing, LPG Only	1	-----	504653-001	504653-001
28		Pin	2	001126-001	-----	-----
29		Gear, Jackshaft Pinion:				
		Standard and All Iron (All)	1	518442-001	514806-001	514806-001
		LPG (All)	1	518442-001	515163-001	515163-001
30		Bushing, LPG Only	1	-----	504653-001	504653-001
31	*	Pin	2	001126-001	-----	-----
32		Gland, Packing:				
		Buna-N	1	518630-001	513644-001	515849-001
		Viton	1	518630-002	-----	-----
		PTFE ¹	1	009535-001	513644-002	515849-002
		NACE	1	551728-001	551178-001	-----
33		Housing, Gear:				
		Standard and All Iron	1	-----	514625-001	514625-001
		LPG	1	-----	514625-002	514625-002
34		Bushing:				
		Standard and All Iron	1	-----	519882-001	519882-001
		LPG	1	-----	512796-001	512796-001
35		Dowel	1	-----	003628-001	003628-001
36		Housing, Outer:				
		S1, S3, S6 (Standard)	1	513082-001	513082-001	515915-001
		S5, S7 (Standard)	1	-----	513102-001	P8000009597
		S1, S3 NACE	1	551656-001	551656-001	-----
37		Lubrication Assembly	1	-----	514659-001	-----
38		Fitting, Grease	1	-----	006408-001	-----
39		Nipple	1	-----	641111-404	-----
40		Nut:				
		S1, S6	26	642138-406	-----	640261-001
		S3, S5	26	-----	006258400	-----
		S7	48	-----	-----	640976-402
41	+	O-Ring, Cover:				
		Buna-N, S7 Only	1	-----	-----	516049-001
		Buna-N, All Others	1	512940-001	512940-001	516048-001
		Viton, S7 Only	1	-----	-----	516049-002
		Viton, All Others	1	512940-002	512940-002	516048-002
		PTFE ¹	1	645842-409	645842-409	645842-409
42	+	O-Ring, Packing Gland:				

Item		Description	Quantity	Part Number		
				H8-S1	H8-S3, S5	H8-S6, S7
		Buna-N	1	-----	640173-023	640888-001
		Viton	1	-----	640894-403	640894-001
43		Oiler	1	006588-001	006588-001	006588-001
44		Pin, Cotter	1	001095-401	009825-400	009825-400
45		Pin, Counter Drive Coupling, 1/16" x 5/8"	1	006028-002	006028-002	006028-002
46		Pin, Groove, 1/16 x 1/2"	1	-----	006054-002	006054-002
47		Pin, Groove, 5/64 x 5/8"	1	-----	009593-400	009593-400
48		Pin, Groove, 3/16 x 3/8"	2	-----	641007-401	-----
49		Pin, Input, Coupling	1	006053-002	006317-002	006053-002
50		Pin, Outer Cover:				
		S7 Only	1	-----	-----	641719-408
		All Others	1	640985-401	640985-401	641719-406
51		Plate, Caution	1	006571-001	006571-001	006571-001
52		Plate, Cover	1	003440-001	003440-001	003440-001
53	+	Plate, Thrust Bearing (See Item #90 for LPG Trim)	2	001111-001	-----	-----
54		Plug, Pipe:				
		1/8" NPT, Standard	1	006073-002	006073-002	-----
		1/8" NPT, NACE	1	645242-405	645242-405	-----
		1/4" NPT, Standard	1	-----	-----	006393-002
55		Plug, Pipe:				
		3/4" NPT, Standard	1	006878-002	006878-002	-----
		3/4" NPT, NACE	1	645242-403	645242-403	-----
		1" NPT, Standard	1	-----	-----	640977-402
56		Plug, Pipe, 1/2" NPT:				
		Standard	1	006505-002	006505-002	006505-002
		NACE	1	645242-402	645242-402	-----
57		Plug, Temperature Well (Previous Design)	1	012025-001	012025-001	012025-001
58	+	Retainer, Ball (Not Used With LPG Trim)	1	070360-001	-----	-----
59		Ring, Snap	1	512066-001	512066-001	512066-001
60		Screw, Adapter, #6-32 x 5/16"	2	006048-002	006048-002	006048-002
61		Screw, Adapter to Cover, Drilled	2	642019-416	009548-400	642019-416
62		Screw, Base Plate, #10-32 x 7/8"	2	640835-001	640835-001	640835-001
63		Screw, Cap; Body to Housing:				
		S1, S3, S5 Standard, 3/4-10 x 2"	4	641068-401	641068-401	-----
		S1, S3, S5 NACE	4	645329-402	645329-402	-----
		S6, S7 Standard, 3/4-10 x 2-1/2"	4	-----	-----	641068-406
64		Screw, Cap; Cover to Housing:				
		S6 Only, 1-8 x 6"	24	-----	-----	642226-405
		S1, S3, S5, 3/4-10 x 3"	24	641068-403	P8000013856	-----
65		Screw, Cover Plate, #10-32 x 3/8"	2	006045-002	006045-002	006045-002
66		Screw, Drive, Caution Plate	4	009880-400	009880-400	009880-400

Item		Description	Quantity	Part Number		
				H8-S1	H8-S3, S5	H8-S6, S7
67		Screw, Gear Housing, 5/16-18 x 5/8"	2	-----	009813-400	009813-400
68		Screw, Knob Cover, #10-24 x 3/4", Drilled	2	006481-003	006481-003	006481-003
69		Screw, Packing Gland:				
		S1, #10-32 x 1/2"	2	006764-002	-----	-----
		S3, S5, 5/16-18 x 1-1/4"	2	-----	006511-002	-----
		S6, S7, 7/16-14 x 1-1/2"	4	-----		006410-002
70	*	Screw, Set, #10-32 x 1/4"	1	-----	009469-400	009469-400
71		Screw, Temperature Well	2	060133-002	006409-002	006409-002
72	+	Seal, Lead and Wire	3	001627-400	001627-400	001627-400
73		Shaft, Calibrator Drive Gear	1	-----	515341-001	515341-001
74		Shaft, Jack-Upper	1	512116-002	514634-002	514634-002
75		Shaft, Link Assembly	1	512069-001	515346-001	515866-001
76		Pin, Groove, 1/8 x 1"	2	065217-402	065217-402	065217-402
77		Stem Assembly, Adjusting	1	009838-001	009838-001	009838-001
78		Ball	2	006427-001	006427-001	006427-001
79		Plate, Base	1	003552-001	003552-001	003552-001
80		Plate, Retainer	1	003556-001	003556-001	003556-001
81		Spring, Knob	2	003557-001	003557-001	003557-001
82		Stem, Adjusting	1	003551-001	003551-001	003551-001
83		Stud, S7 Only, 1-1/4-8 x 9-1/2"	24	-----	-----	642355-404
84		Stud, Gear Shaft	1	-----	514370-001	514370-001
85		Tube, Oil	1	514658-001	514658-001	514658-001
86		Washer	3	-----	641985-402	641985-402
87		Washer	4	642495-407	642495-407	533104-001
88		Washer, Pinion Shaft	1	003599-001	-----	-----
89	+	Washer, Jackshaft	1	001125-001	-----	-----
90		Washer, Thrust - Jackshaft, LPG Only	2	505664-001	-----	-----

Internal Mechanism				
Item		Description	Quantity	Part Number
91		Block:		
		Standard	1	513033-001
		Hi-Viscosity - For 2,000 SSU to 10,000 SSU	1	513033-041
92		Body	1	513009-001
93		Coupling, Drive	1	512064-002
94		Cover, Inner:		
		Standard and All Iron	1	516458-001
		LPG	1	516458-002
95	+	Bushing, Jackshaft:		
		Standard and All Iron	2	519882-001
		LPG	2	512796-001
96		Dowel, Locating Arm	1	512938-001
97		Lug, Lift	2	512002-002
98		Nut, Stem, 7/16"-20	2	010526-400
99		Nut, Inner Cover	1	009552-400
100		Pin, Groove, 1/4 x 1"	1	641065-401
101		Pin, Roll, Stem, 5/32 x 1"	1	010527-400
102		Pin, Roll, Drive Coupling, 5/64 x 5/8"	1	009593-400
103		Pilot	1	072186-001
104		Plate, Shaft Cover	1	512939-001
105		Ring, Retaining	1	640968-407
106		Rotor and Blade Assembly:		
		Standard	1	515708-001
		All Iron	1	515708-002
		LPG	1	515708-003
107		Arm, Locating	1	512923-001
108		Bar, Adjusting	1	512936-001
109	+	Bearing, Lower Rotor:		
		Standard and All Iron	1	516605-001
		LPG	1	516605-004
110	+	Bearing, Upper Rotor:		
		Standard and All Iron	1	513080-001
		LPG	1	513080-002
111	+	Bearing, Thrust:		
		Standard and All Iron	1	641093-401
		LPG	1	643140-401
112	+	Blade, Lower:		
		Standard	1	512920-001
		All Iron	1	515417-001
		LPG	1	515419-001
		Std. - Modified for 2,000 SSU to 10,000 SSU	1	512920-041
		Std. - Modified for 200°F Max	1	512920-042
		Std. - Modified for 2,000 SSU to 10,000 SSU and 200°F Max	1	512920-043
		A.I. - Modified for 2,000 SSU to 10,000 SSU	1	515417-041

Internal Mechanism				
Item		Description	Quantity	Part Number
113	+	Bearing, Blade:		
		Standard and All Iron:		
	@4	Current Design	4	644888-401
		Previous Design	4	006476-001
		LPG:		
	@4	Current Design	4	644412-411
		Previous Design	4	644412-404
114	@4	Bushing (Previous Design Bearing Only)	2	512353-001
115		Pin, Cotter, 3/32 x 1"	2	006373-001
116		Shaft, Bearing	2	500214-001
117		Spacer (Current Design Bearing Only)	6	504272-002
118	+	Blade, Upper:		
		Standard	1	512921-001
		All Iron	1	515416-001
		LPG	1	515418-001
		Std. - Modified for 2,000 SSU to 10,000 SSU	1	512921-041
		Std. - Modified for 200°F Max	1	512921-042
		Std. - Modified for 2,000 SSU to 10,000 SSU and 200°F Max	1	512921-043
		A.I. - Modified for 2,000 SSU to 10,000 SSU	1	515416-041
119	+	Bearing, Blade:		
		Standard and All Iron:		
	@4	Current Design	4	644888-401
		Previous Design	4	006476-001
		LPG:		
	@4	Current Design	4	644412-411
		Previous Design	4	644412-404
120	@4	Bushing (Previous Design Bearing Only)	2	512353-001
121		Pin, Cotter, 3/32 x 1"	2	006373-001
122		Shaft, Bearing	2	500214-001
123		Spacer (Current Design Bearing Only)	6	504272-002
124		Clamp, Rotor Cover Roller	8	500414-001
125		Collar, Adjusting	1	513093-001
126		Pin, Adjusting Collar	1	006683-002
127		Key, Locating Arm	1	513094-001
128		Pin, Rotor Cover Roller	4	512998-001
129		Plate, Rotor Bearing	2	513065-001
130		Plate, Rotor Gear	1	512924-001
131	+	Roller	4	513000-001
132	R	Rotor:		
		Standard	1	513003-001
		Hi-Viscosity - For 2,000 SSU to 10,000 SSU	1	513003-041
133	*	Dowel	9	500415-001

Internal Mechanism				
Item		Description	Quantity	Part Number
134		Screw, Cap, 5/16-18 x 1-1/2":		
		Standard and LPG	8	002050-401
		All Iron	8	642043-432
135	R	Sleeve, Rotor (Not sold as a separate component - included with Item 132)	-	-----
136		Screw, Locating Arm, 5/16-24 x 1-1/4"	1	643299-401
137	+	Screw, Rotor Gear Plate, 5/16-18 x 1"	6	060133-002
138		Shaft and Cam Assembly	1	513066-001
139		Cam	1	512510-001
140		Key, Cam and Shaft	1	513064-001
141		Shaft	1	513061-001
142		Screw, Cap-Block, 1/2-13 x 1-1/2"	2	006097-002
143		Screw, Cap-Inner Cover, 5/16-18 x 2"	1	006664-002
144	@5	Screw, Inner Cover, 1/4-20 x 1/2"	1	006775-002
145		Screw, Inner Cover to Body, 3/8-16 x 1-1/4"	8	002238-401
146		Screw, Lower Bearing Plate, 5/16-18 x 3/4"	12	009548-400
147		Screw, Nylock, 1/2-13 x 1-1/2"	1	641066-401
148		Screw, Pitot, #10-32 x 1/4"	2	006110-002
149	@5	Shaft, Jack and Gear	1	512931-001
150		Stem, Rotor Adjusting	1	550857-001
151		Washer	2	641838-401
152		Washer	1	643249-401
153		Washer, Shakeproof	1	006825-400
Inner Mechanism General Assemblies				
		Standard		513134-091
		All Iron		513134-092
		LPG		513134-093
		Low Flow		553276-091
	+	Recommended stock		
	*	Not illustrated		
	R	Indicates change since last revision		
	@1	When ordering, include temperature range, specific API gravity and API table used.		
	@2	Only standard gearing listed. For additional gearing combinations, see Gear Train Bulletin AB01023.		
	@3	See for Form No. PO01042 for components.		
	@4	Use of current design bearing eliminates the need to use bushing (item 114, 120) which was required with the previous design bearing; however, it requires the use of a spacer (item 117, 123) on the side of and between the bearings.		
	@5	Item 146 screw and item 151 washer were incorporated into the meter in 1984. These items are not included in meters manufactured prior to 1984.		

The specifications contained herein are subject to change without notice and any user of said specifications should verify from the manufacturer that the specifications are currently in effect. Otherwise, the manufacturer assumes no responsibility for the use of specifications which may have been changed and are no longer in effect.
Contact information is subject to change. For the most current contact information, visit our website at www.fmctechnologies.com/measurementsolutions and click on the "Contact Us" link in the left-hand column.

TechnipFMC.com

© TechnipFMC 2018 All rights reserved. PO01010 Issue/Rev. 0.2 (1/18)

TechnipFMC
FMC Technologies
Measurement Solutions, Inc.
500 North Sam Houston Parkway West,
Suite 100
Houston, Texas 77067 USA
P: +1 281.260.2190

USA Operation
1602 Wagner Avenue
Erie, Pennsylvania 16510 USA
P: +1 814.898.5000

Germany Operation
Smith Meter GmbH
Regentstrasse 1
25474 Ellerbek, Germany
P: +49 4101 304.0