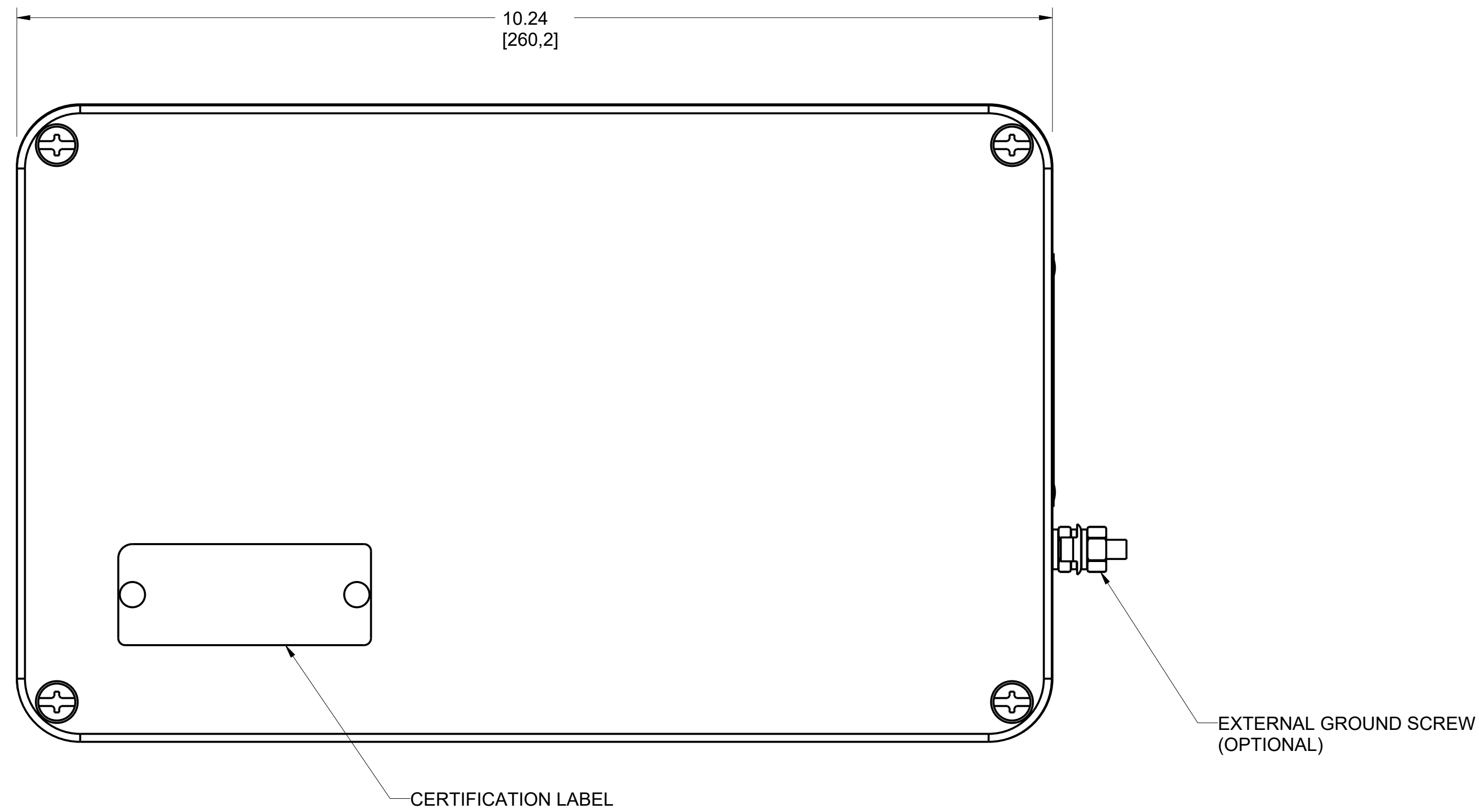


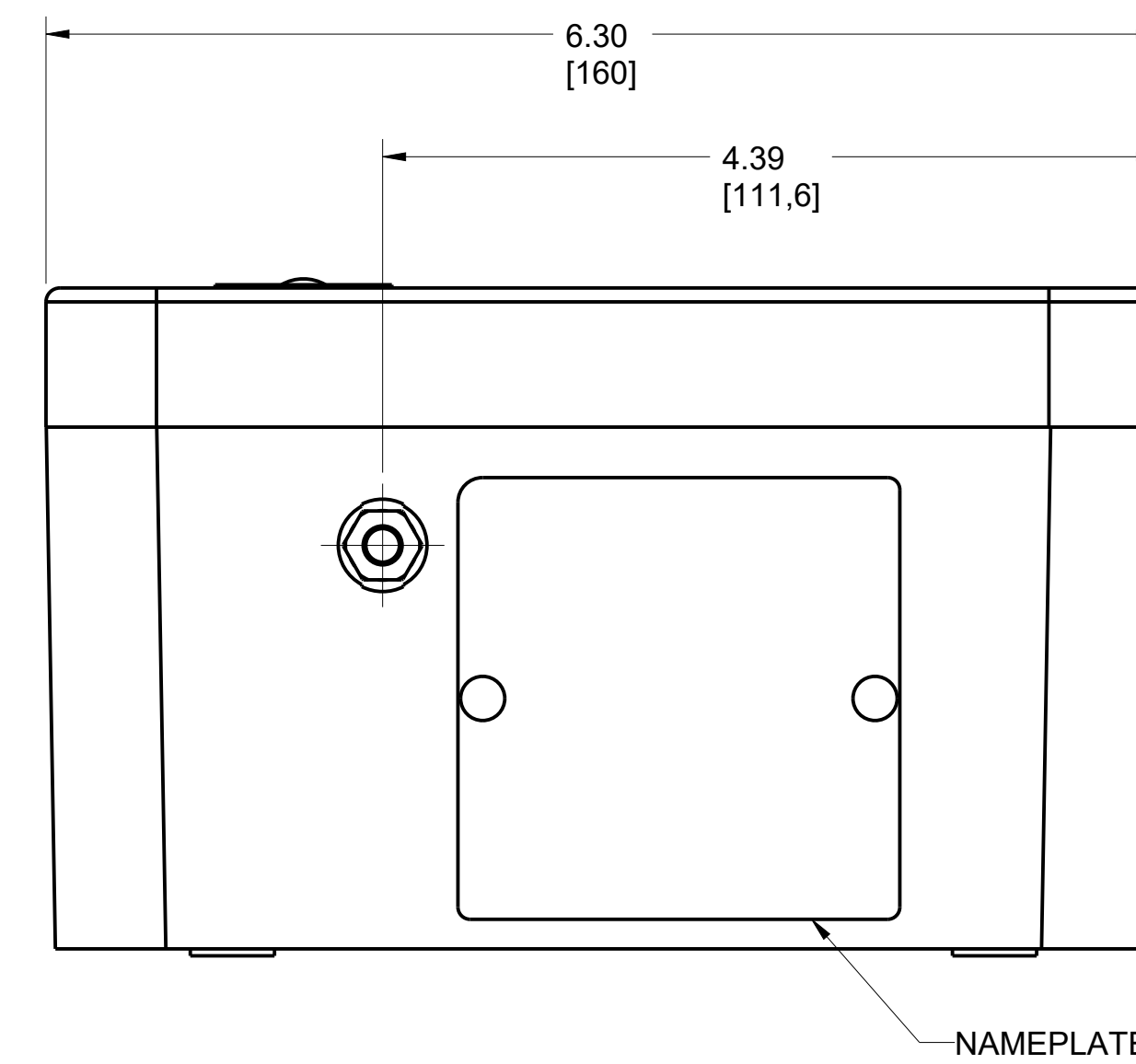
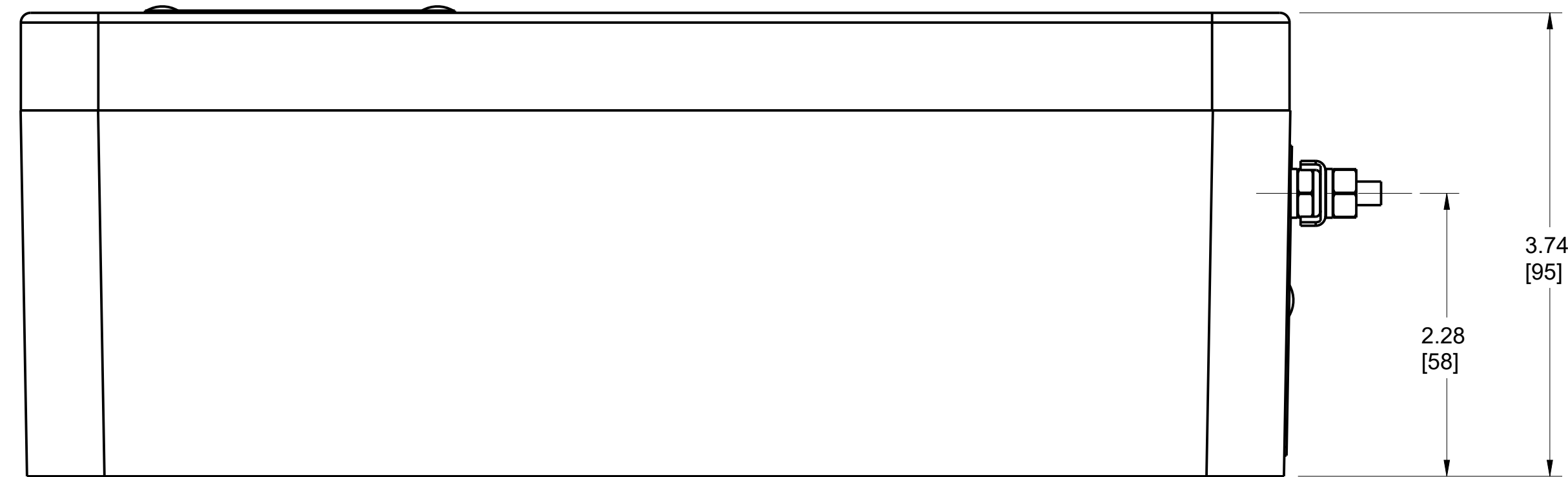
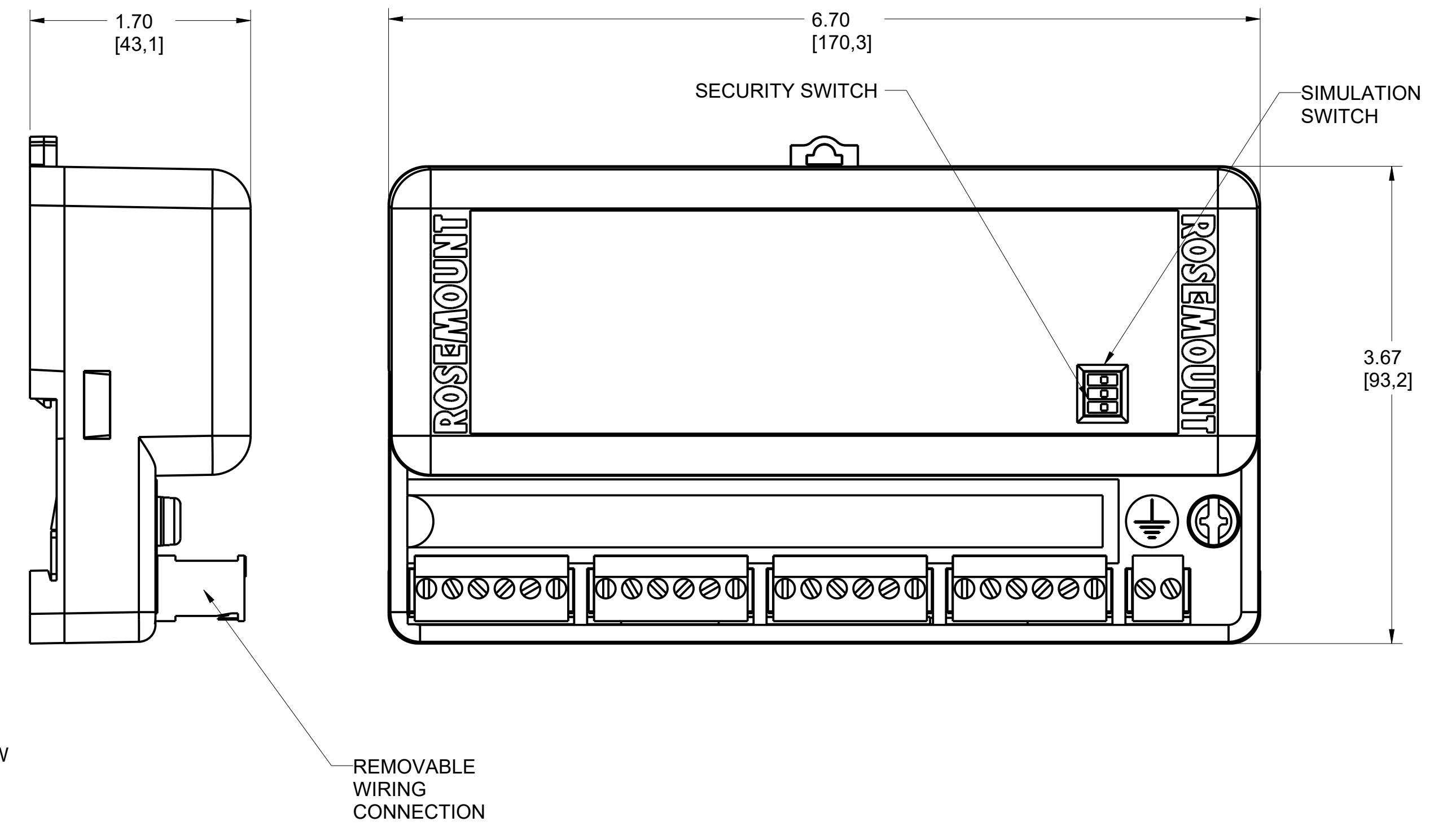
ROSEMOUNT 848T HIGH DENSITY TEMPERATURE FAMILY PLASTIC/ALUMINUM JUNCTION BOX WITH NO ENTRIES

REVISION TABLE			
REVISION	ECO NO.	APP'D	DATE
AF	RTC1073271	M. DOBRATZ	6/11/19
DESCRIPTION			
ADD NEW SLIDER PART TO THE TRANSMITTER			

SHOWN WITH ENCLOSURE



SHOWN WITHOUT ENCLOSURE



1. ROSEMOUNT INC. CERTIFIES THESE DRAWINGS ARE IN ACCORDANCE WITH ROSEMOUNT ENGINEERING SPECIFICATIONS AND ACCURATELY REPRESENT THE EQUIPMENT FURNISHED.

NOTES:

©2015 ROSEMOUNT INC.
ROSEMOUNT INC. CERTIFIES
THIS DRAWING IS IN
ACCORDANCE WITH
ROSEMOUNT ENGINEERING
SPECIFICATIONS.
UNIT NOTES IN INCHES (mm).

EMERSON

EMERSON

ROSEMOUNT HIGH DENSITY
TYPE I DRAWING

DR. JLA 3/18/13 DRAWING NO. 00848-4010
APP'D JR 4/5/13

CAD MAINTAINED, (PRO/E) SHEET 1 OF 10

3RD ANGLE

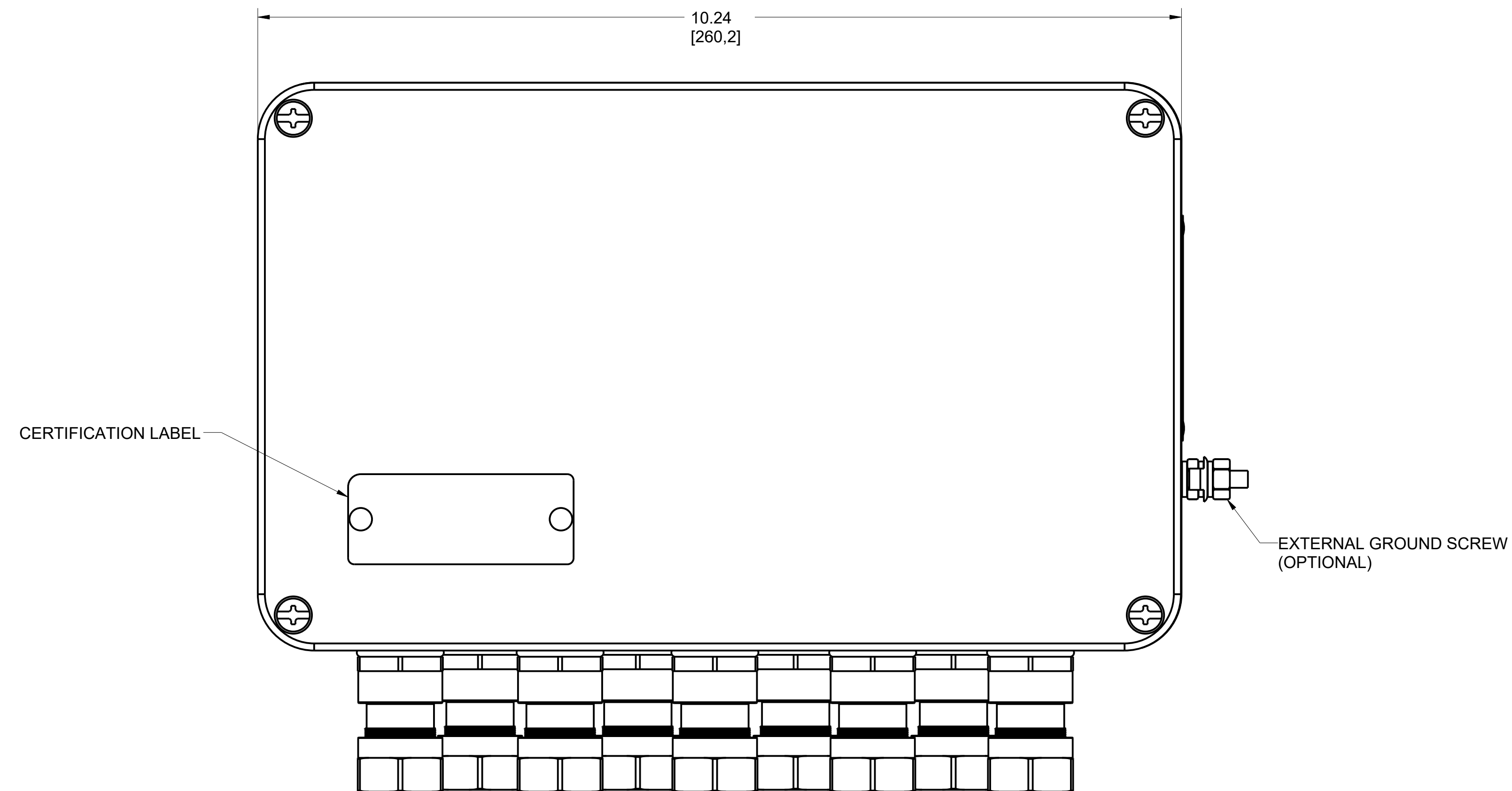
SIZE D SCALE NTS

CLICK HERE

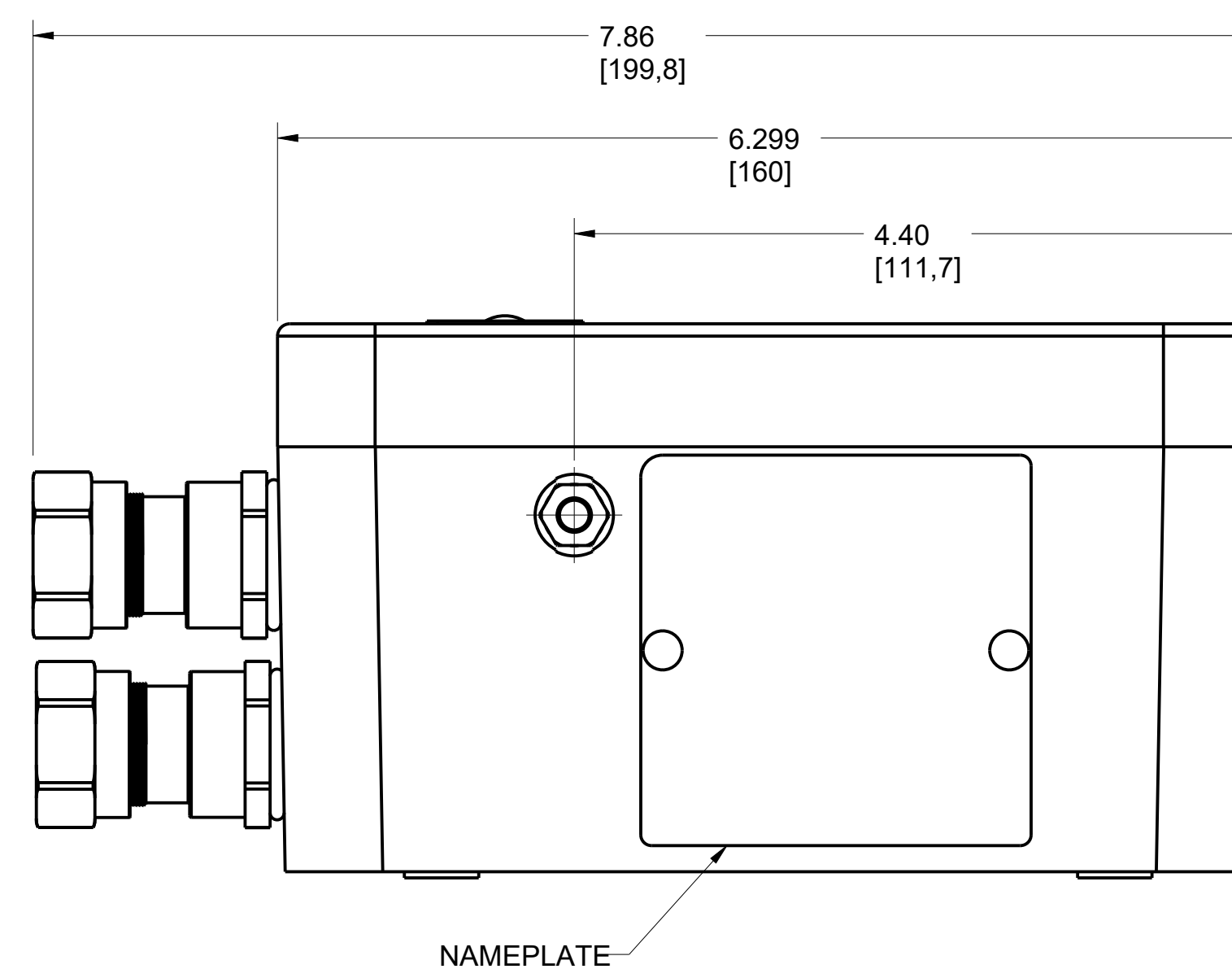
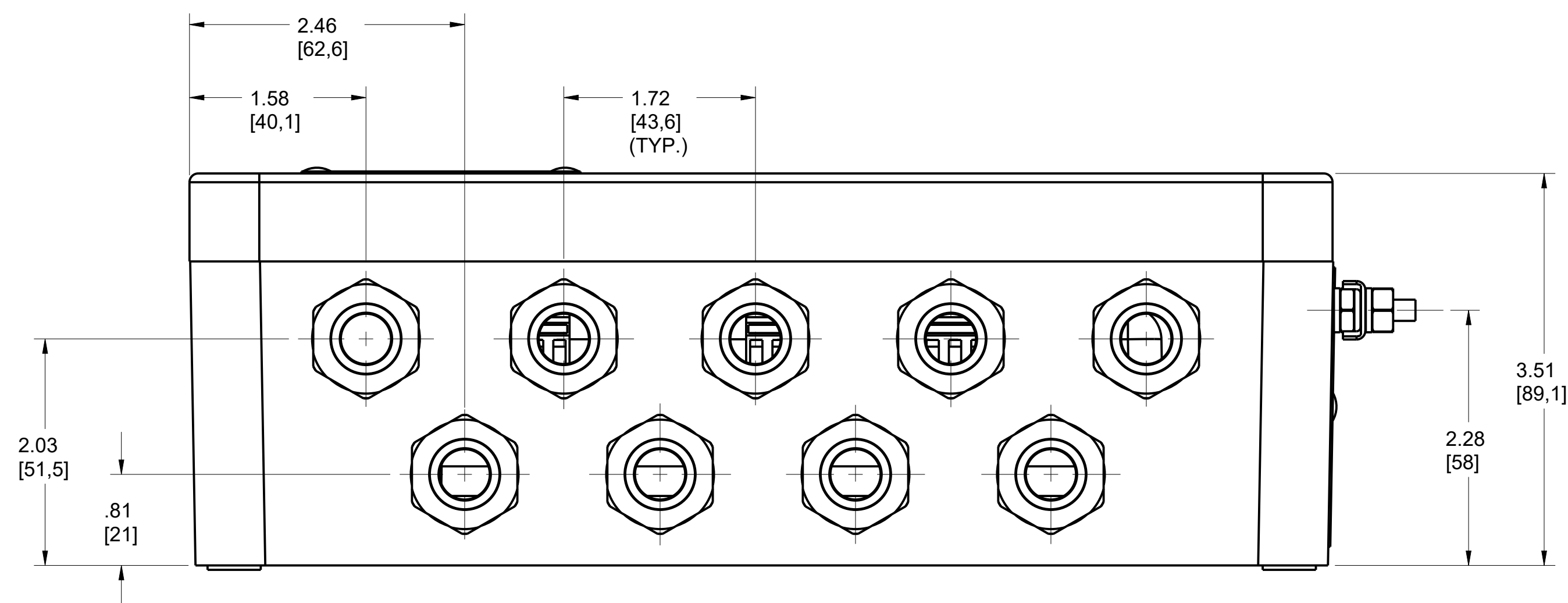
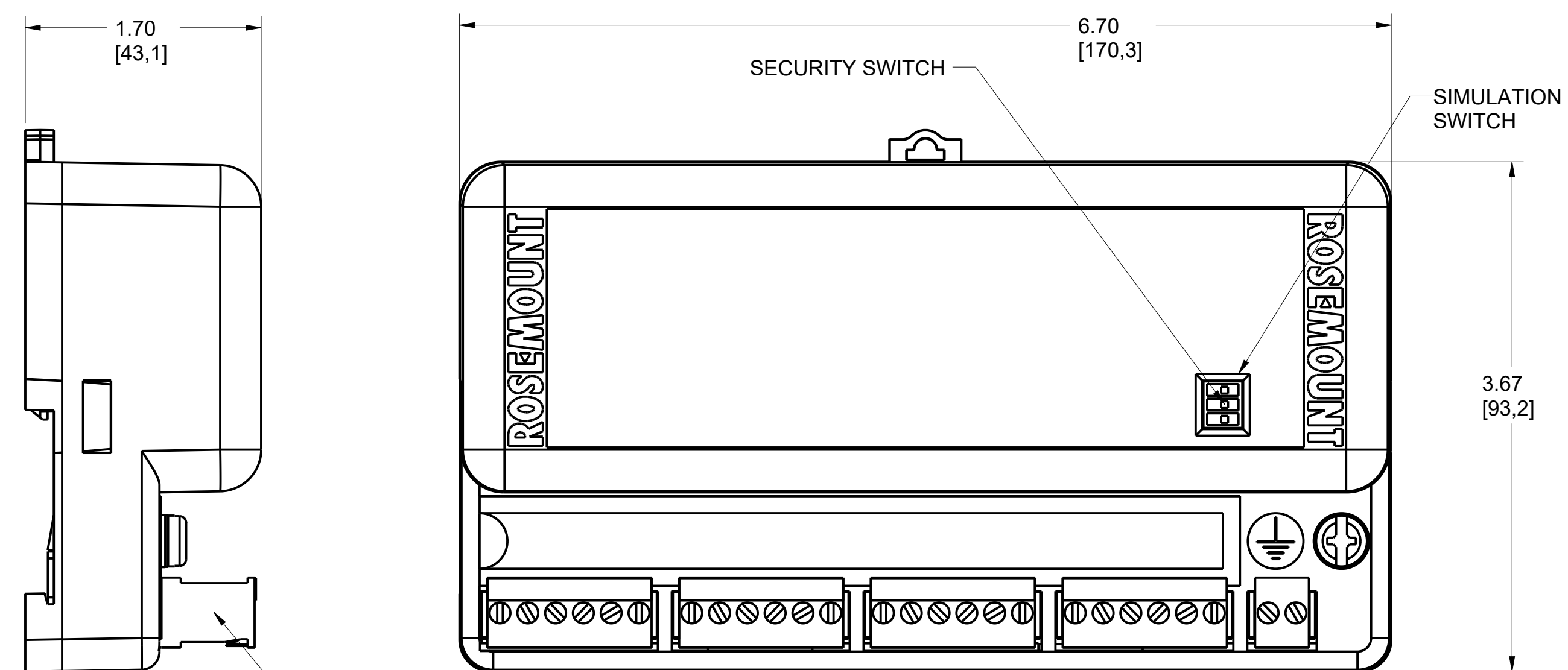
CLICK HERE

ROSEMOUNT 848T HIGH DENSITY TEMPERATURE FAMILY PLASTIC BOX WITH CABLE GLANDS

SHOWN WITH ENCLOSURE



SHOWN WITHOUT ENCLOSURE



©2015 ROSEMOUNT INC.
ROSEMOUNT INC. CERTIFIES
THIS DRAWING TO THE
STANDARDS AND SPECIFICATIONS
IN ACCORDANCE WITH
ROSEMOUNT ENGINEERING
SPECIFICATIONS.
UNIT NOTES IN INCHES (mm).

EMERSON

TITLE ROSEMOUNT HIGH DENSITY
TYPE I DRAWING

DR. JLA 3/18/13 DRAWING NO. 00848-4010

APPD JR 4/5/13

CAD MAINTAINED, (PROE)

SHEET 2 OF 10

3RD ANGLE

SIZE D

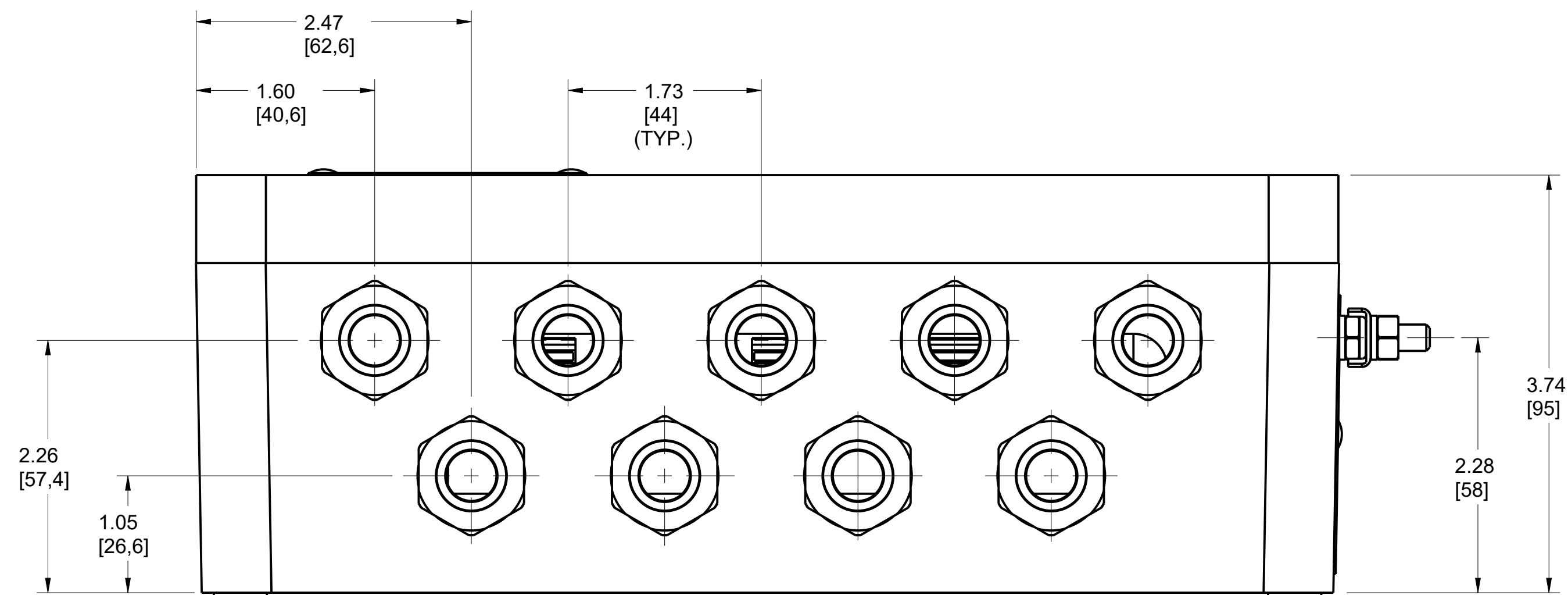
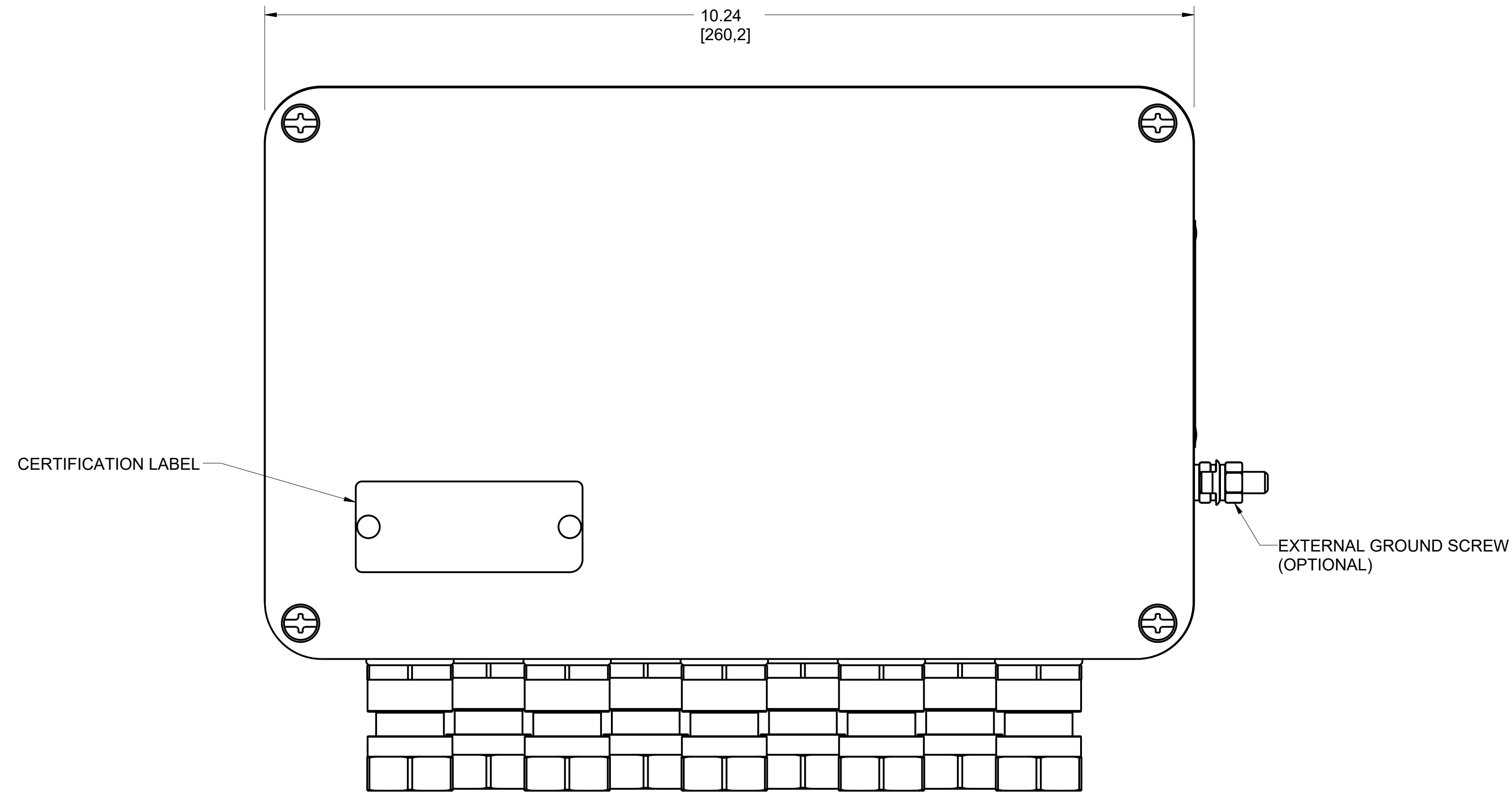
SCALE NTS

CLICK HERE

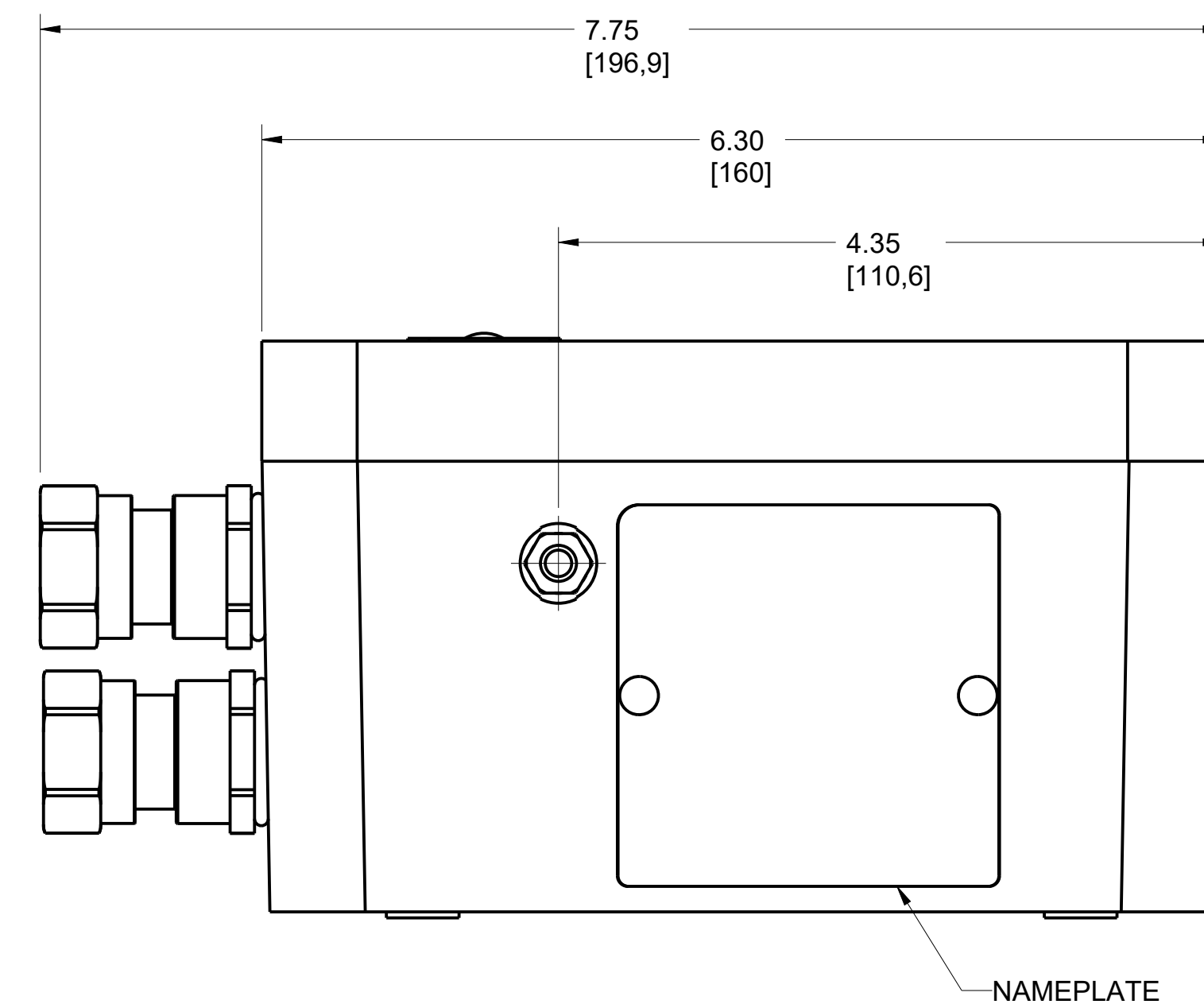
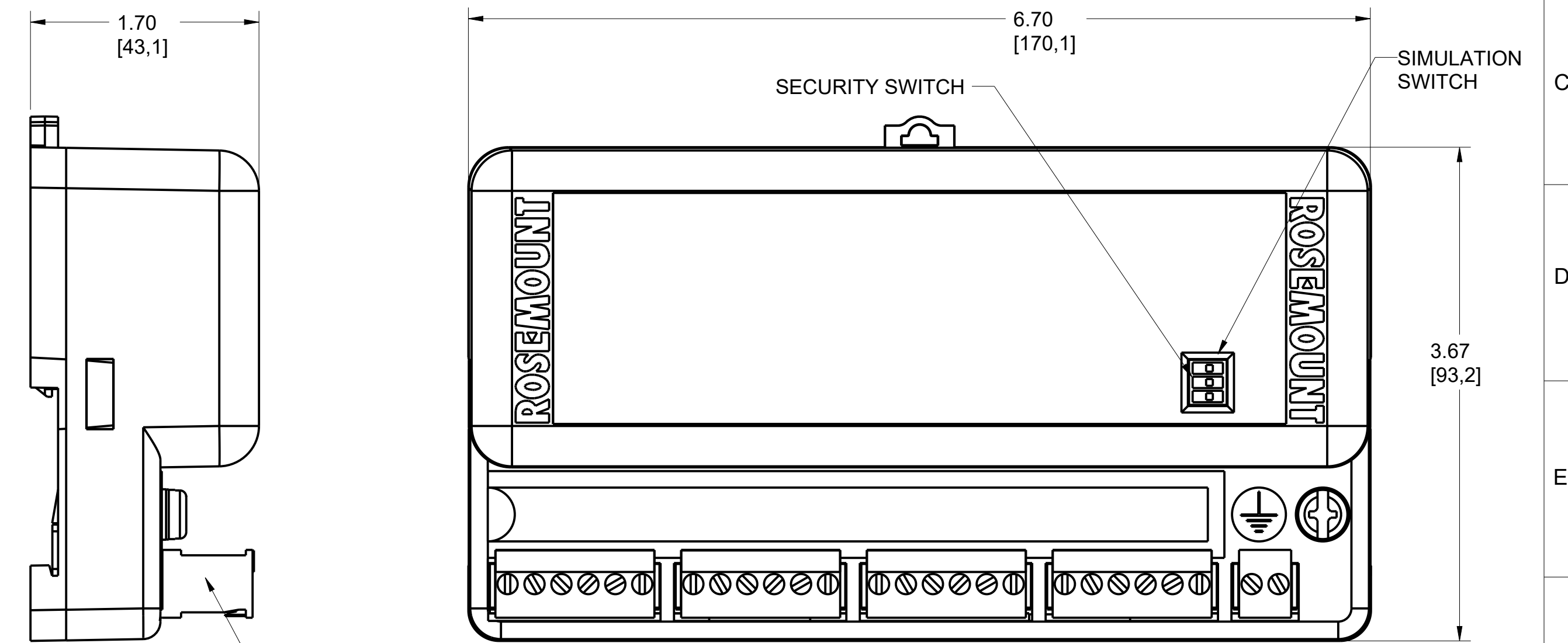
REFERENCE ROSEMOUNT
PRODUCT SPECIFICATIONS.

ROSEMOUNT 848T HIGH DENSITY TEMPERATURE FAMILY ALUMINUM BOX WITH CABLE GLANDS

SHOWN WITH ENCLOSURE



SHOWN WITHOUT ENCLOSURE



©2015 ROSEMOUNT INC.
ROSEMOUNT INC. CERTIFIES
THIS DRAWING TO THE
REQUIREMENTS OF THE
AGREEMENT WITH
ROSEMOUNT ENGINEERING
SPECIFICATIONS.
UNIT NOTES IN INCHES (mm).
REFERENCE ROSEMOUNT
PRODUCT SPECIFICATIONS.
CLICK HERE

EMERSON

TITLE ROSEMOUNT HIGH DENSITY
TYPE I DRAWING

DR.	JLA	3/18/13	DRAWING NO.	00848-4010
APPD	JR	4/5/13		
CAD MAINTAINED, (PROE)				SHEET 3 OF 10

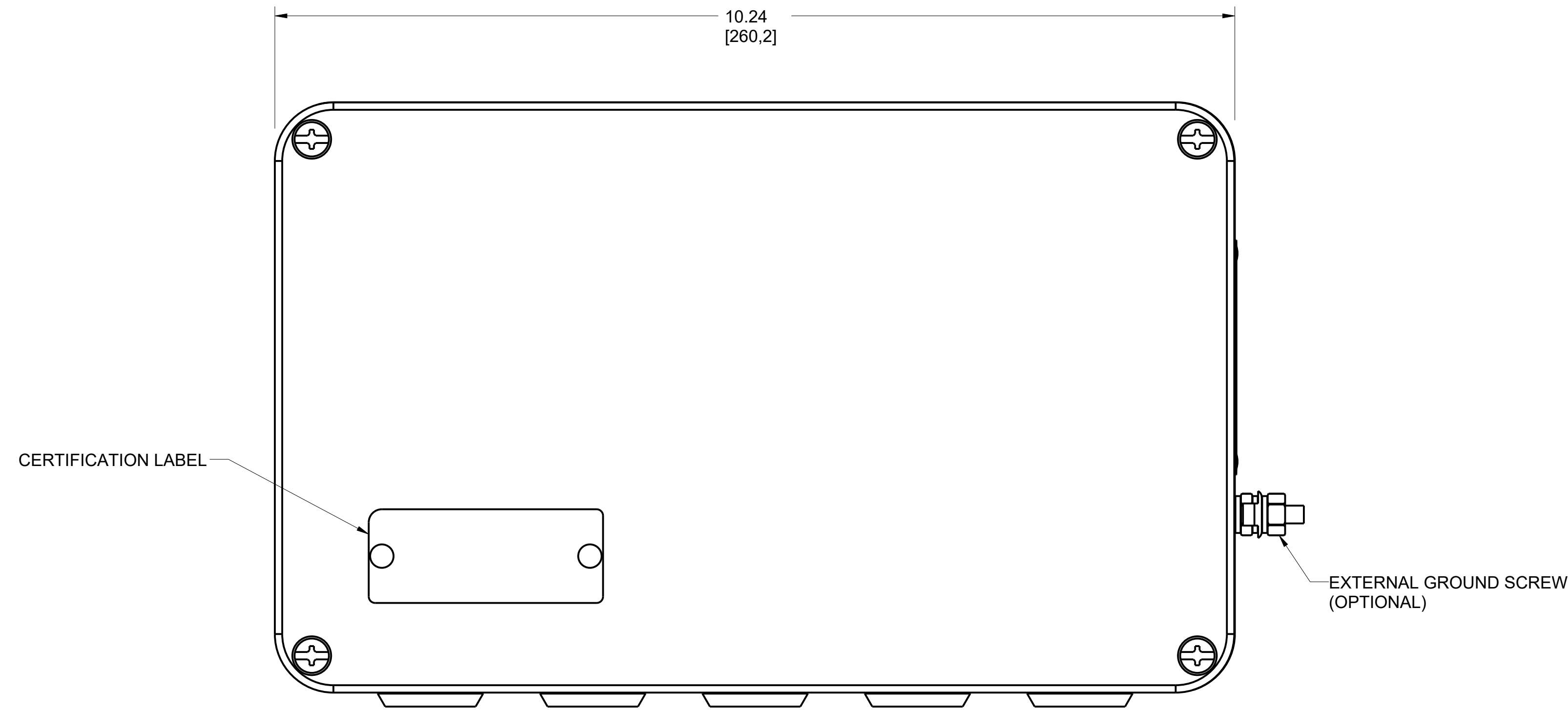
3RD ANGLE

SIZE D

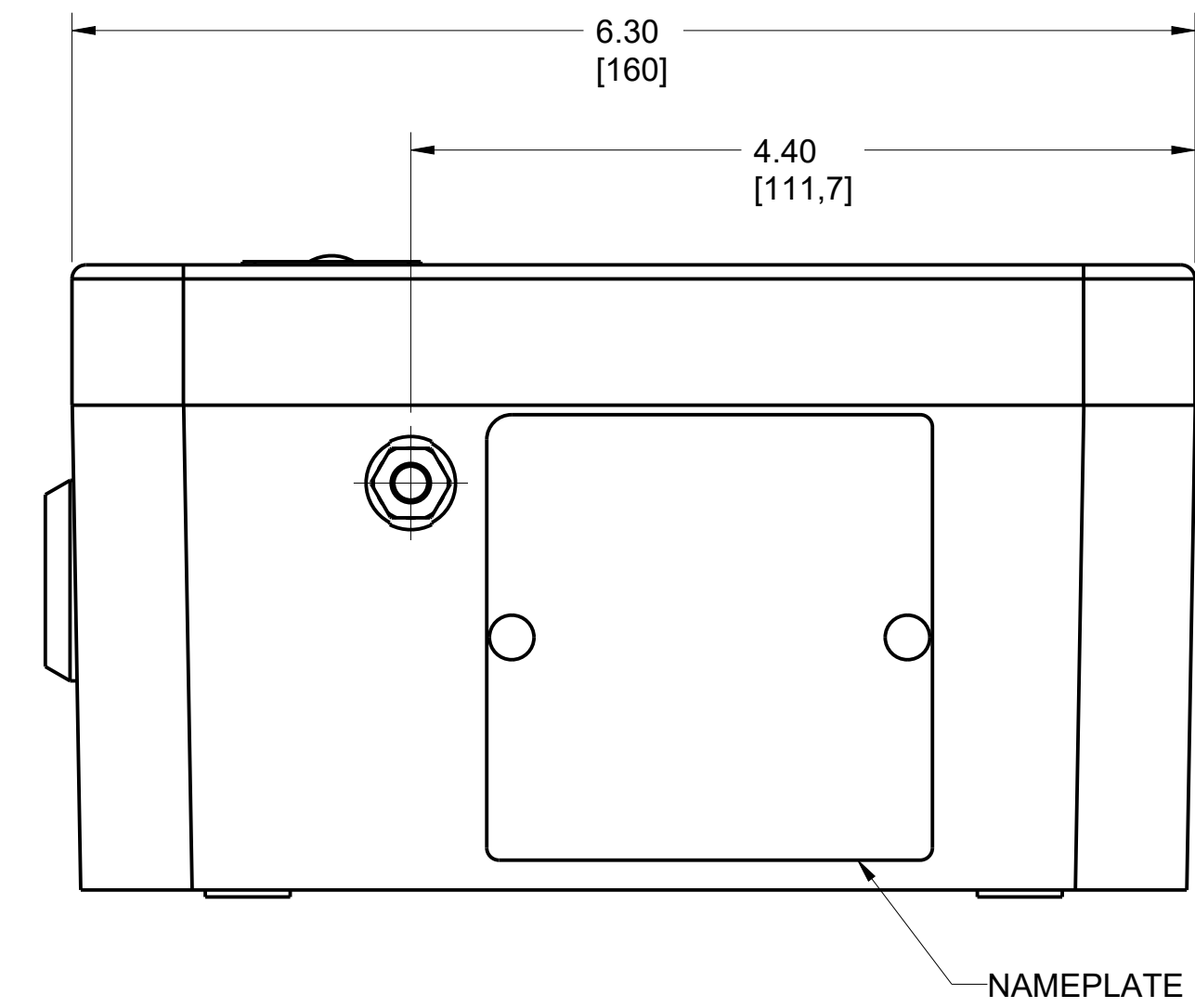
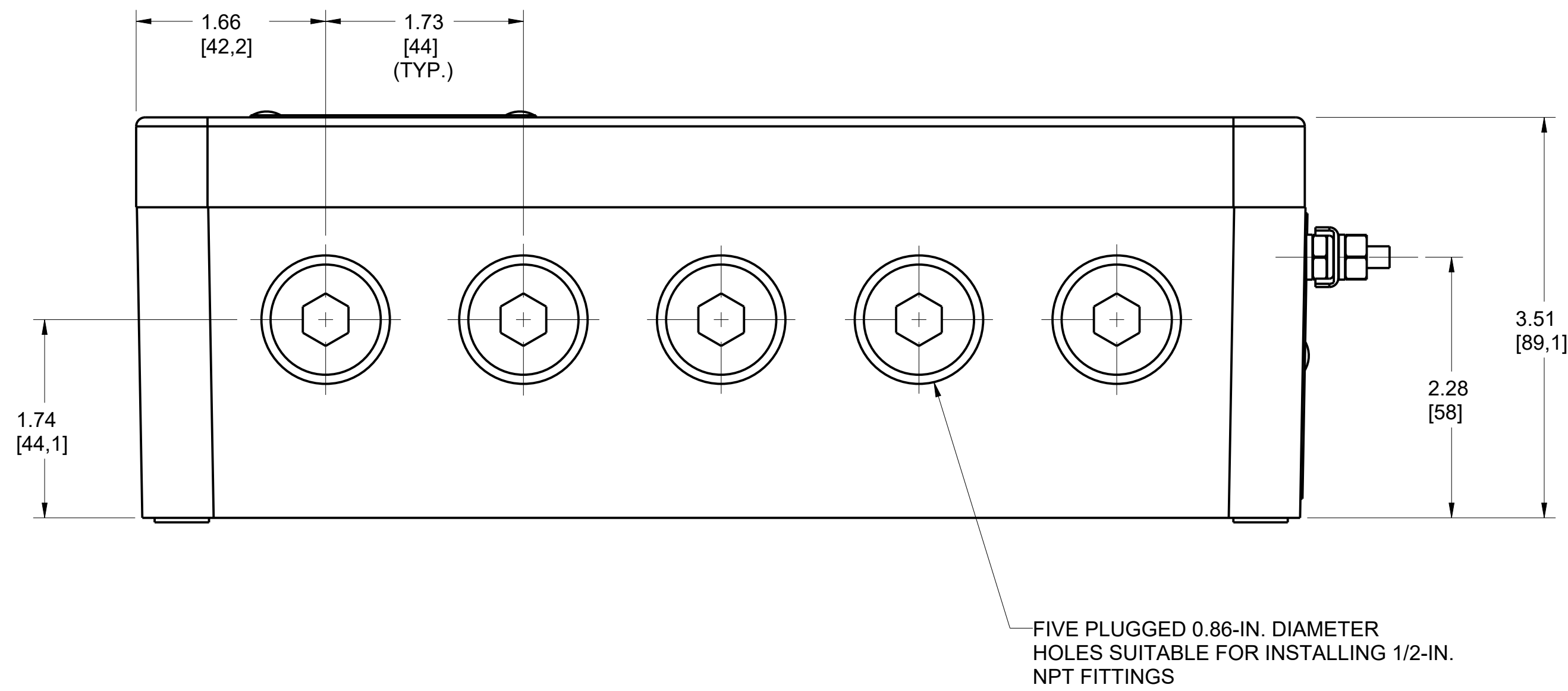
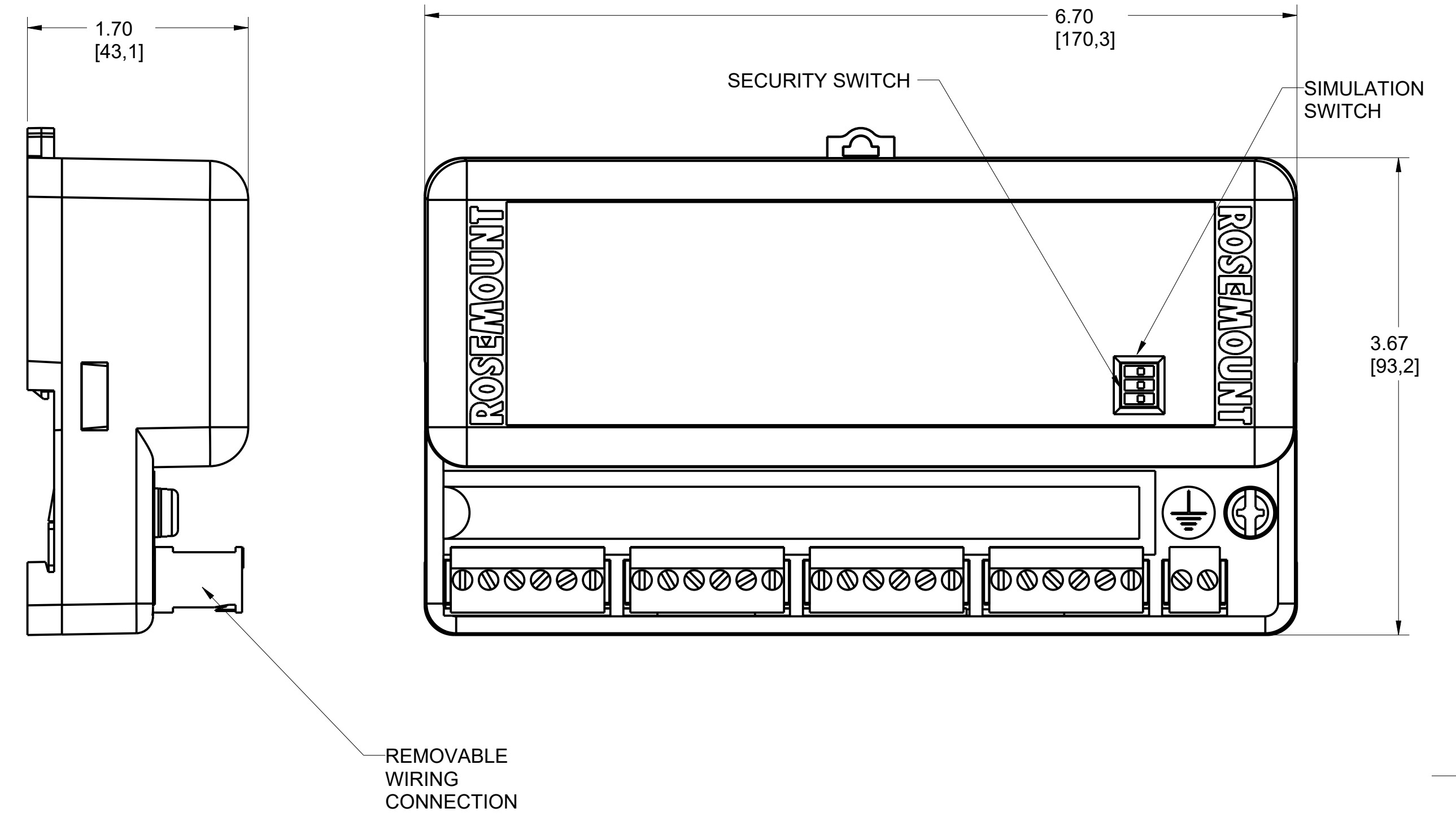
SCALE NTS

ROSEMOUNT 848T HIGH DENSITY TEMPERATURE FAMILY PLASTIC/ALUMINUM JUNCTION BOX WITH PLUGGED HOLES

SHOWN WITH ENCLOSURE

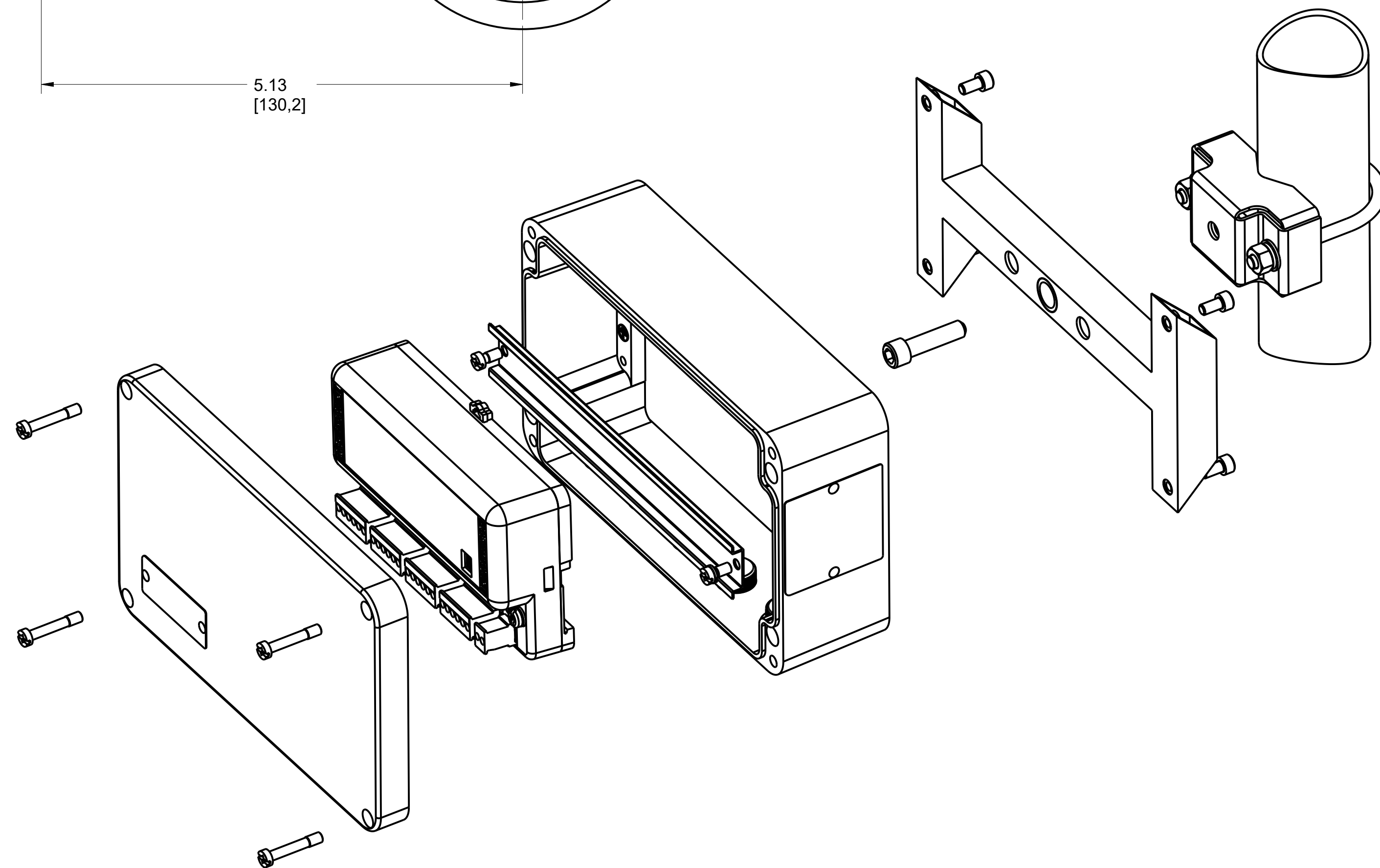
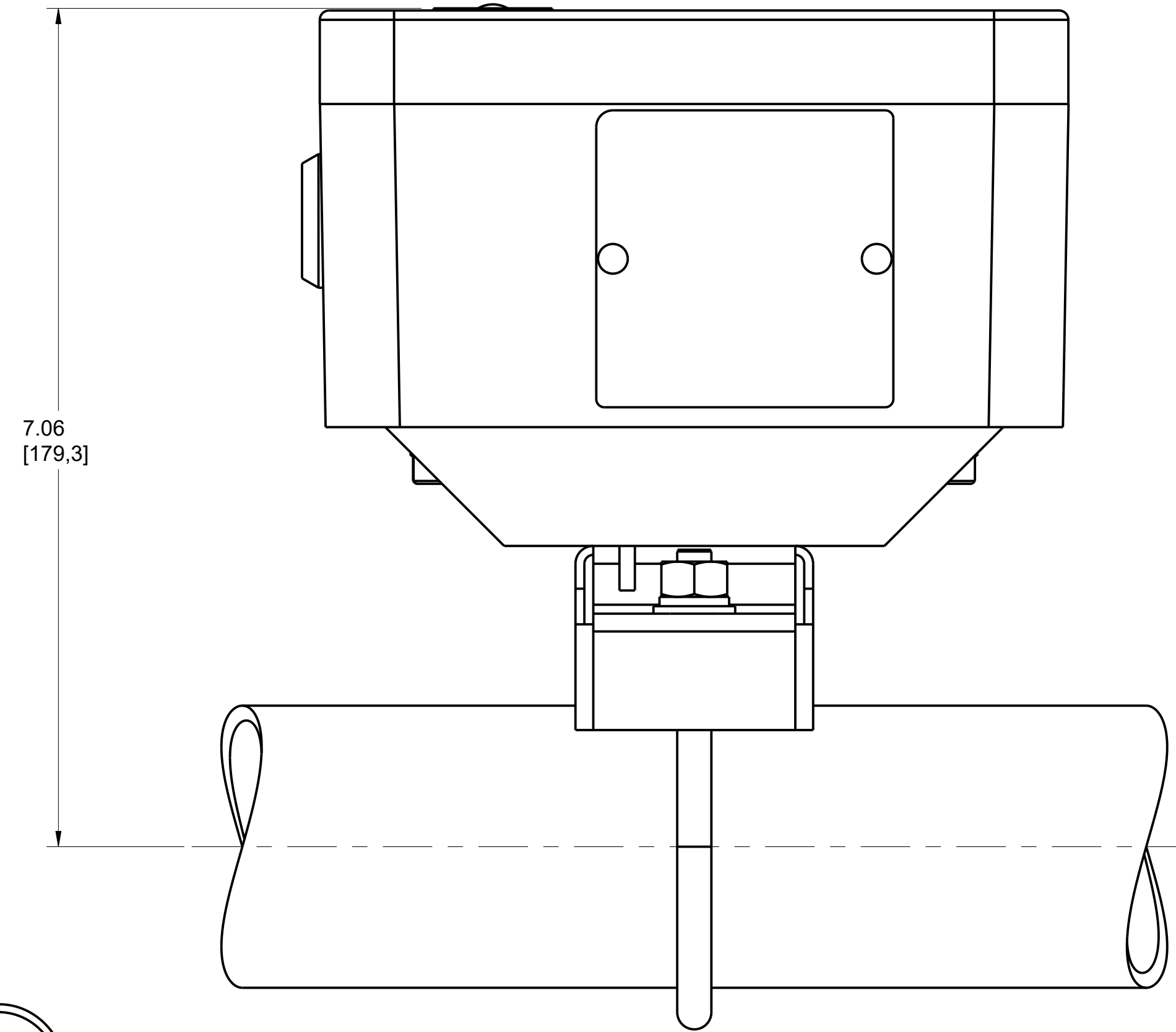
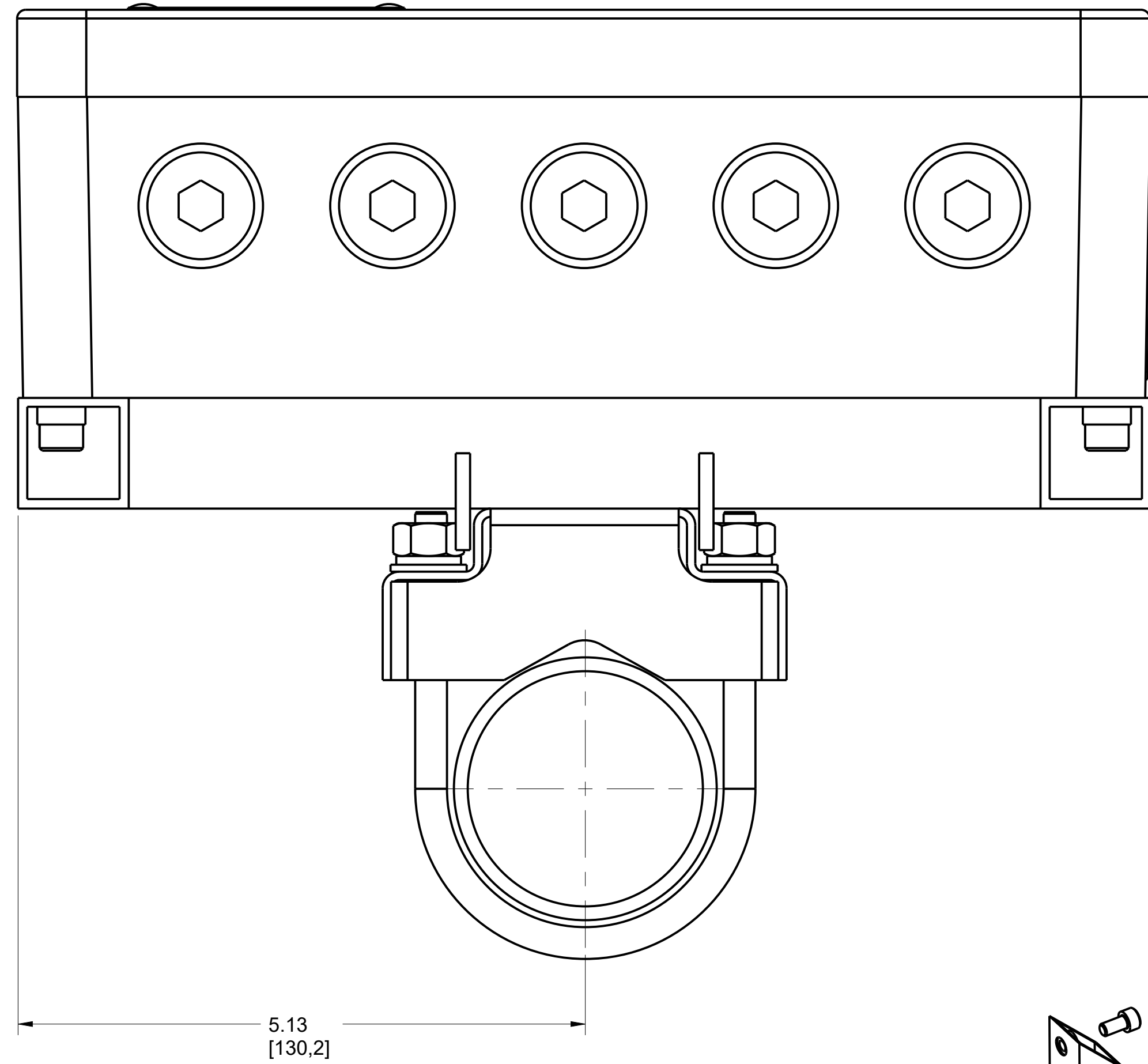


SHOWN WITHOUT ENCLOSURE



©2015 ROSEMOUNT INC. ROSEMOUNT INC. CERTIFIES THIS DRAWING TO THE REQUIREMENTS OF THE STANDARD IN ACCORDANCE WITH ROSEMOUNT ENGINEERING SPECIFICATIONS. UNIT NOTES IN INCHES (mm). REFERENCE ROSEMOUNT PRODUCT SPECIFICATIONS. CLICK HERE	3RD ANGLE	SIZE D	SCALE NTS
	TITLE ROSEMOUNT HIGH DENSITY TYPE I DRAWING		
	DR. JLA APPD. JR	3/18/13 4/5/13	DRAWING NO. 00848-4010

ROSEMOUNT 848T HIGH DENSITY TEMPERATURE FAMILY
 PLASTIC/ALUMINUM BOX MOUNTING CONFIGURATION



©2015 ROSEMOUNT INC.
 ROSEMOUNT INC. CERTIFIES
 THIS DRAWING IS MADE IN
 ACCORDANCE WITH
 ROSEMOUNT ENGINEERING
 SPECIFICATIONS.
 UNIT NOTES IN INCHES (mm).
 REFERENCE ROSEMOUNT
 PRODUCT SPECIFICATIONS.
 CLICK HERE

3RD ANGLE

EMERSON

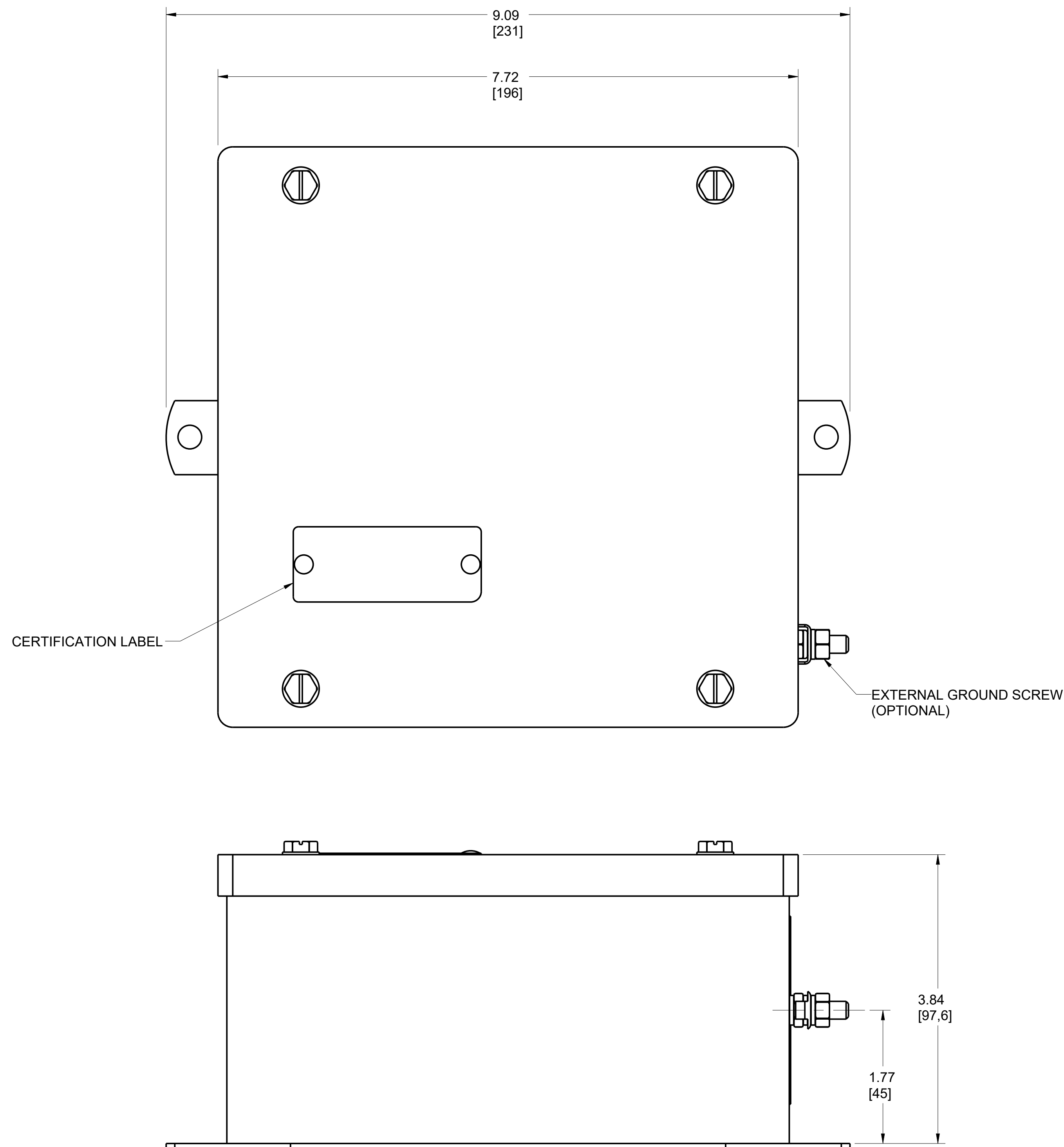
TITLE ROSEMOUNT HIGH DENSITY
 TYPE I DRAWING

DR.	JLA	3/18/13	DRAWING NO.	00848-4010
APPD	JR	4/5/13		

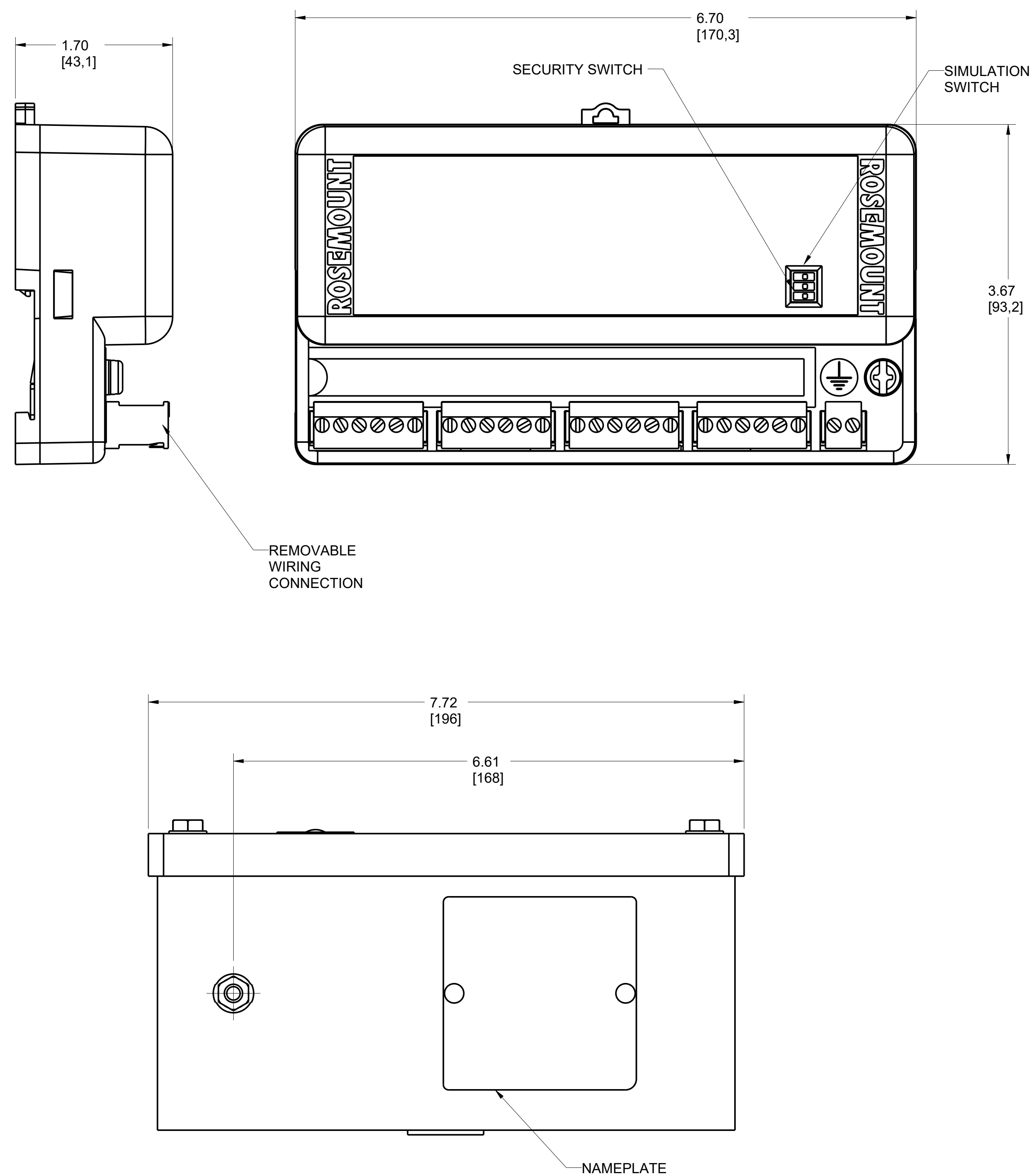
CAD MAINTAINED, (PROE) SHEET 5 OF 10

ROSEMOUNT 848T HIGH DENSITY TEMPERATURE FAMILY SST JUNCTION BOX WITH NO ENTRIES

SHOWN WITH ENCLOSURE



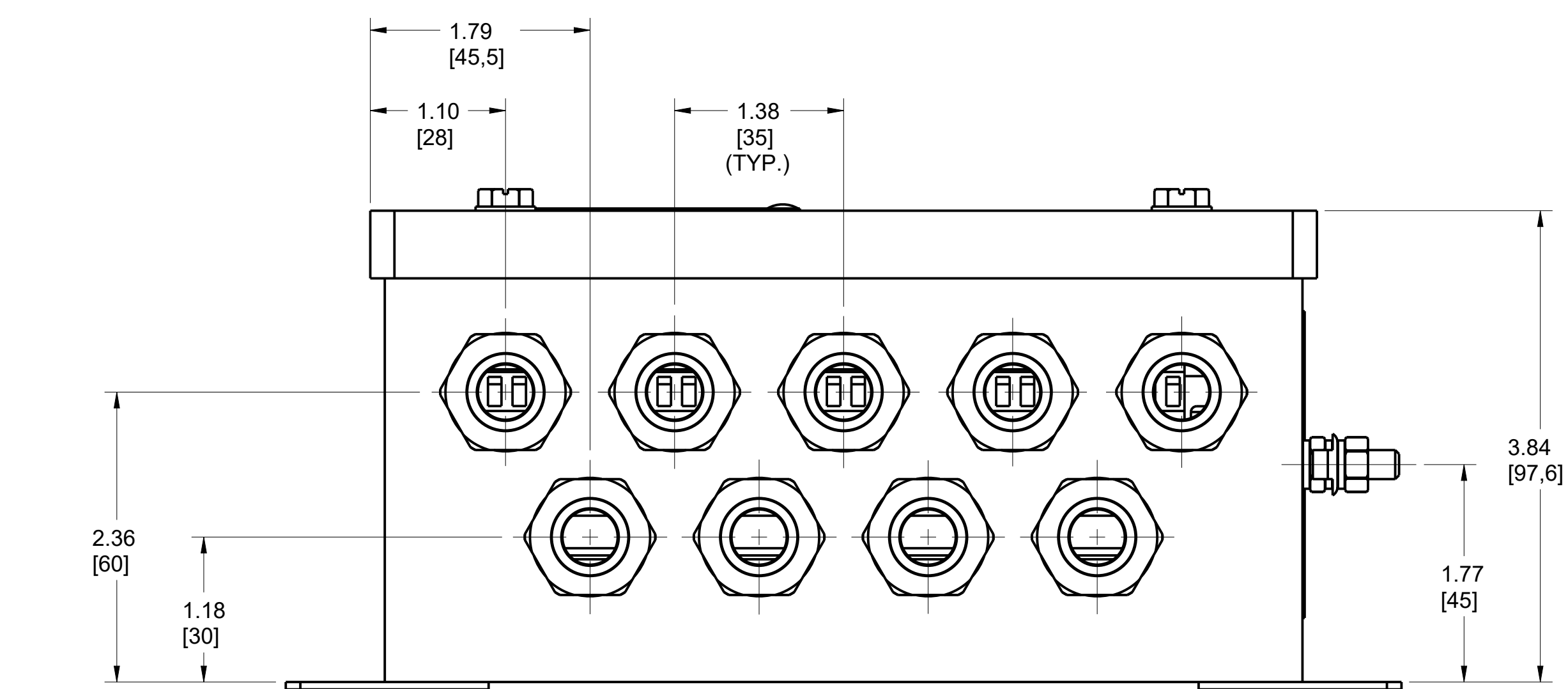
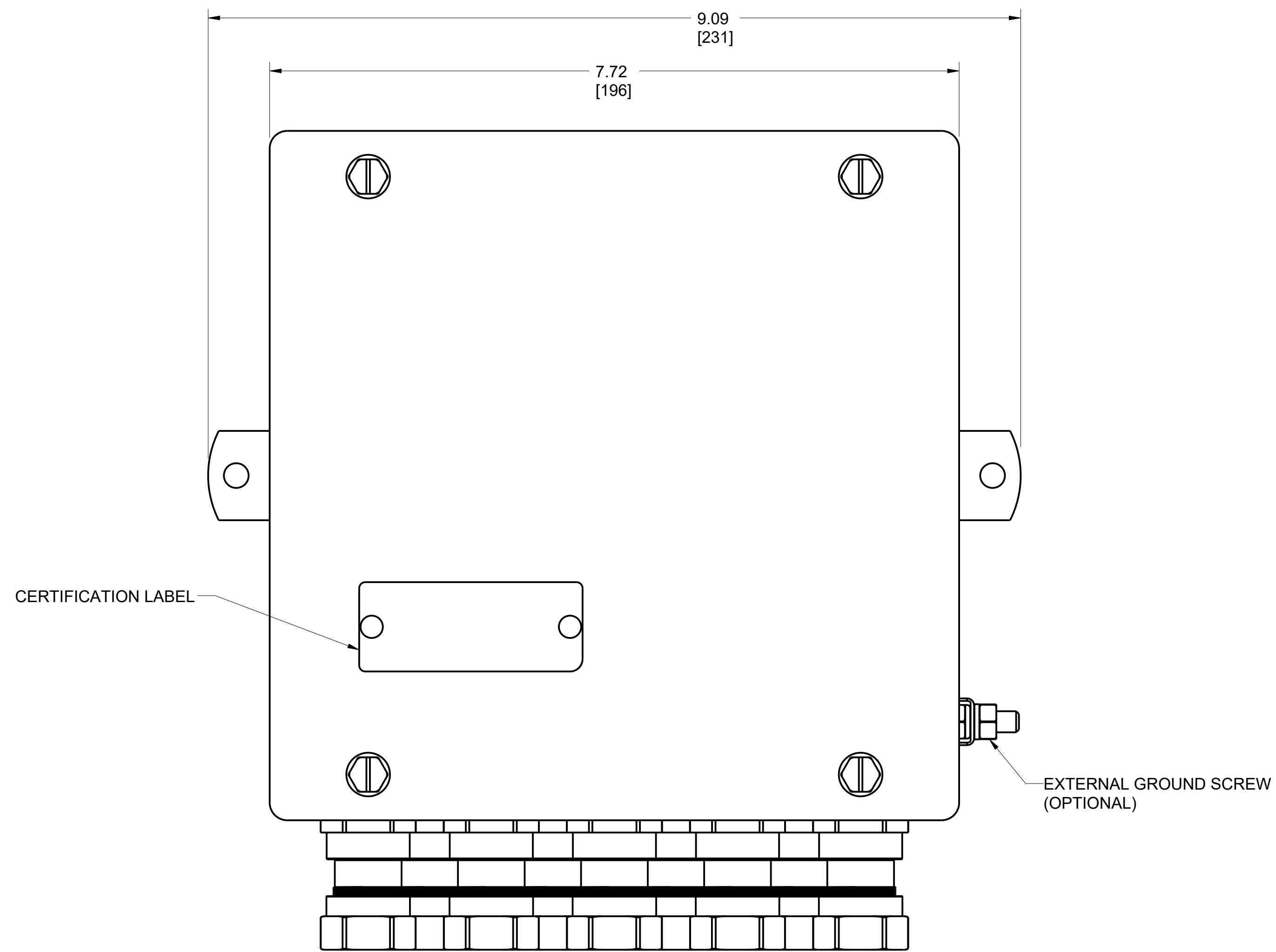
SHOWN WITHOUT ENCLOSURE



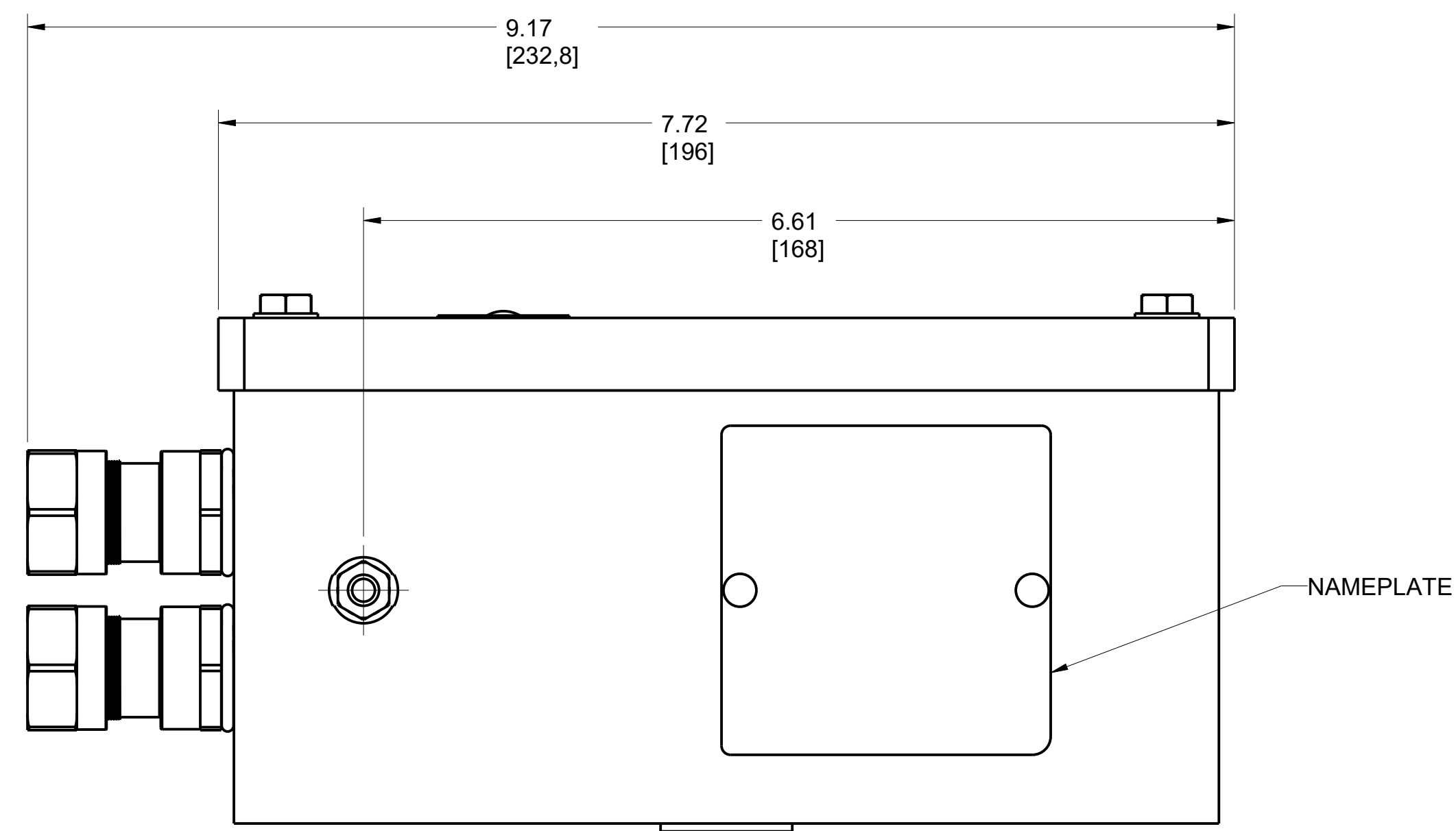
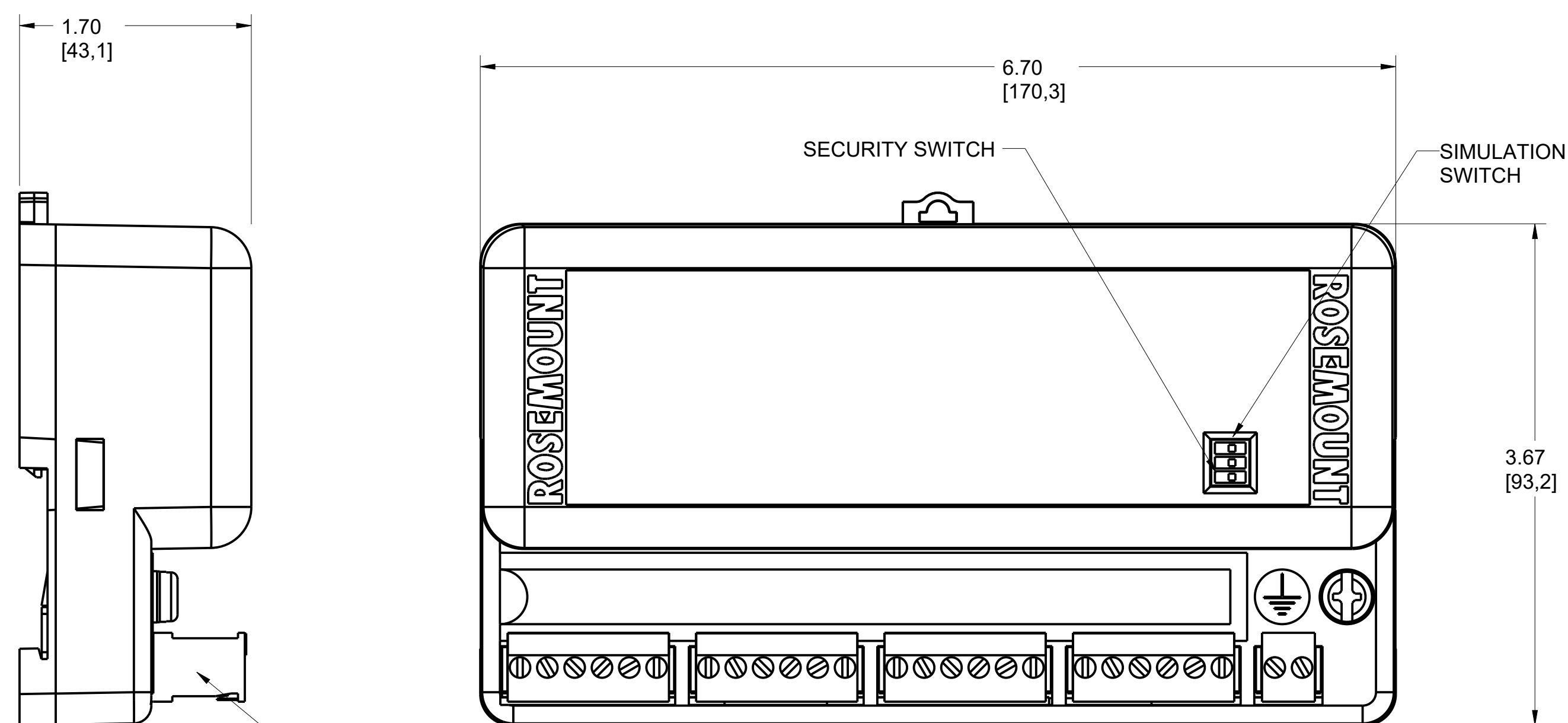
©2015 ROSEMOUNT INC. ROSEMOUNT INC. CERTIFIES THIS PRODUCT TO THE REQUIREMENTS OF THE STANDARD IN ACCORDANCE WITH ROSEMOUNT ENGINEERING SPECIFICATIONS. UNIT NOTES IN INCHES (mm). REFERENCE ROSEMOUNT PRODUCT SPECIFICATIONS. CLICK HERE		3RD ANGLE	SIZE D	SCALE NTS	
	TITLE ROSEMOUNT HIGH DENSITY TYPE I DRAWING				
	DR. JLA	3/18/13	DRAWING NO.	00848-4010	
	APPD. JR	4/5/13	CAD MAINTAINED, (PROE)		

ROSEMOUNT 848T HIGH DENSITY TEMPERATURE FAMILY SST JUNCTION BOX WITH CABLE GLANDS

SHOWN WITH ENCLOSURE



SHOWN WITHOUT ENCLOSURE



©2015 ROSEMOUNT INC.
ROSEMOUNT INC. CERTIFIES
THIS DRAWING TO THE
STANDARDS SPECIFIED IN
THE DRAWING IN
ACCORDANCE WITH
ROSEMOUNT ENGINEERING
SPECIFICATIONS.
UNIT NOTES IN INCHES (mm).
REFERENCE ROSEMOUNT
PRODUCT SPECIFICATIONS.
CLICK HERE

3RD ANGLE

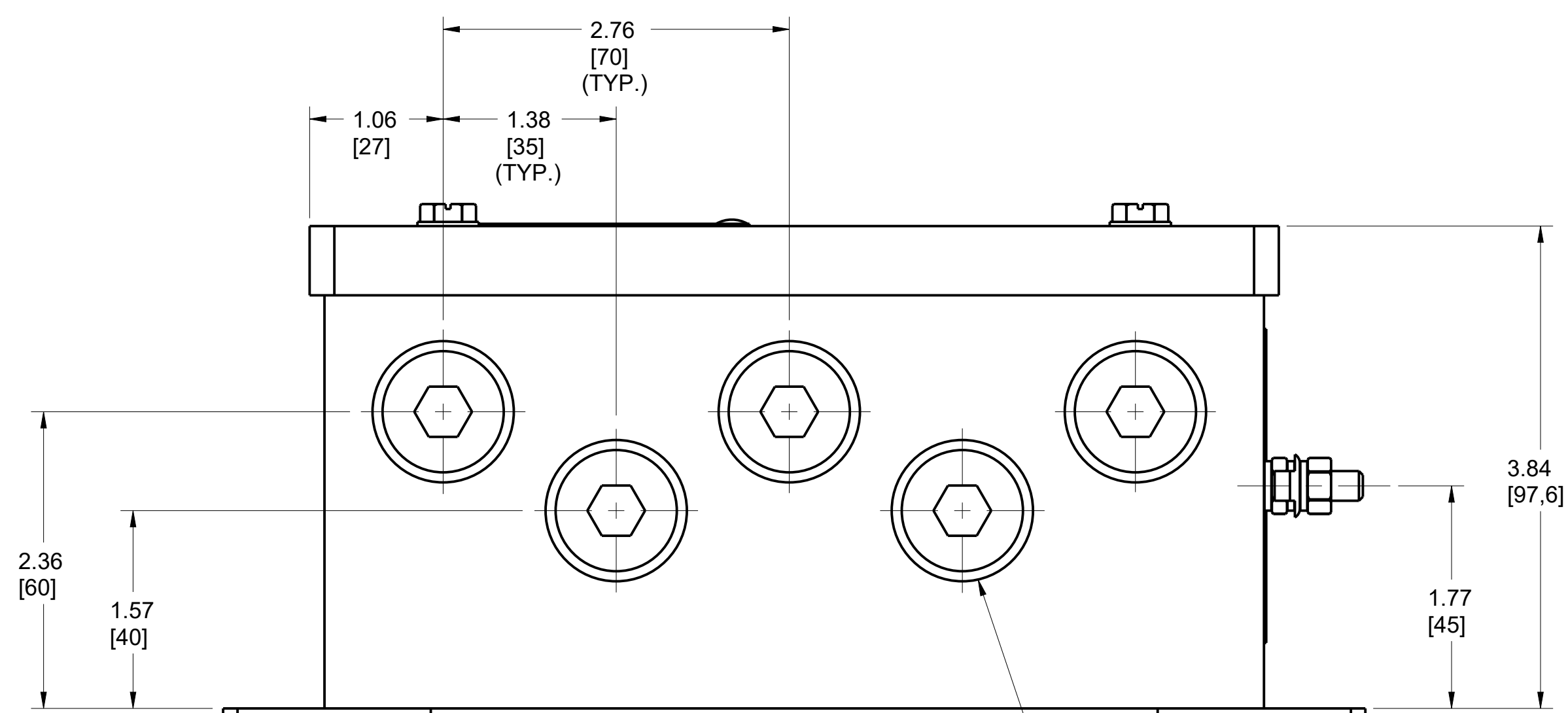
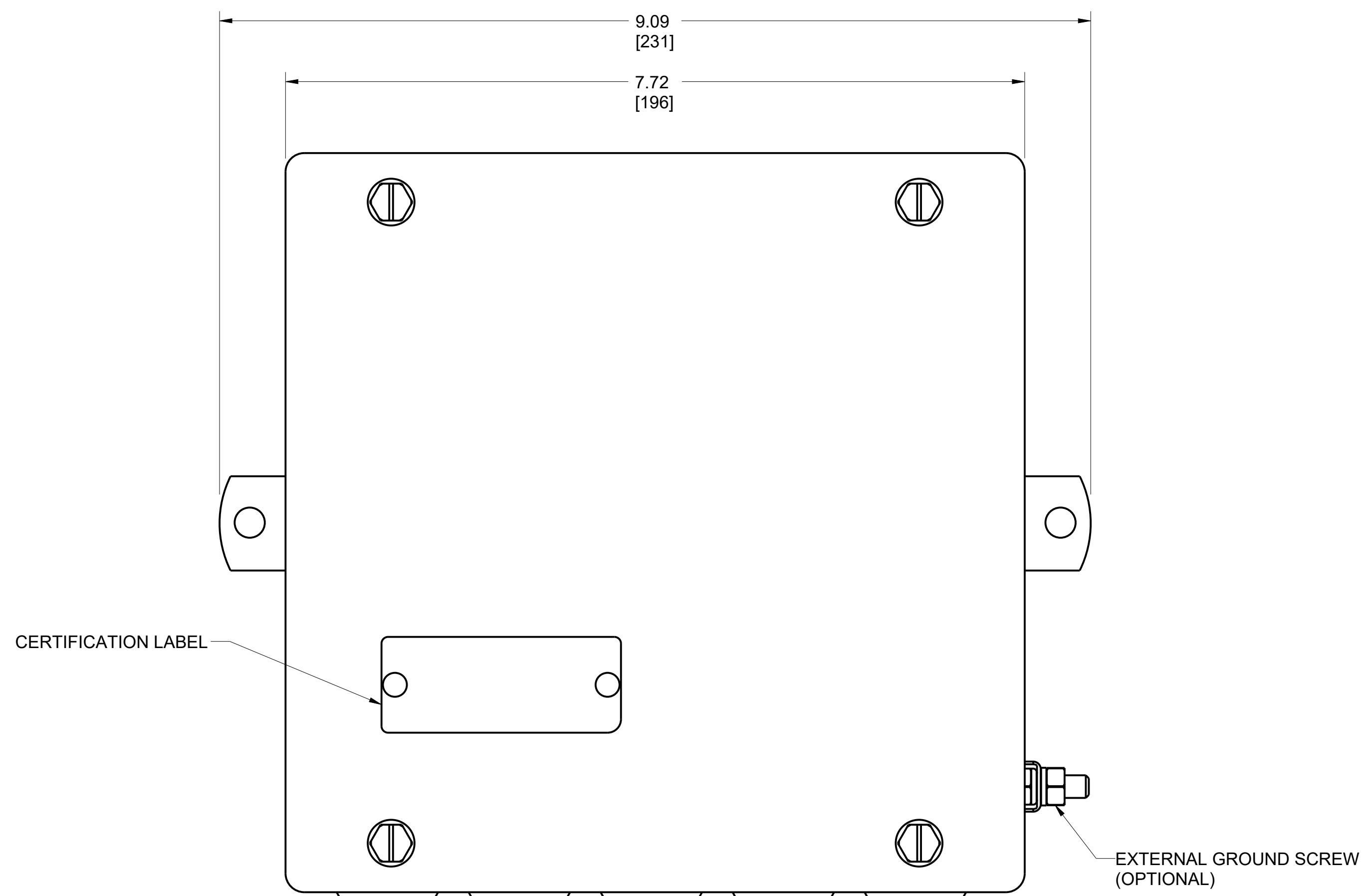
EMERSON

TITLE ROSEMOUNT HIGH DENSITY
TYPE I DRAWING

DR.	JLA	3/18/13	DRAWING NO.	
APPD	JR	4/5/13		00848-4010
CAD MAINTAINED, (PROE)				SHEET 7 OF 10

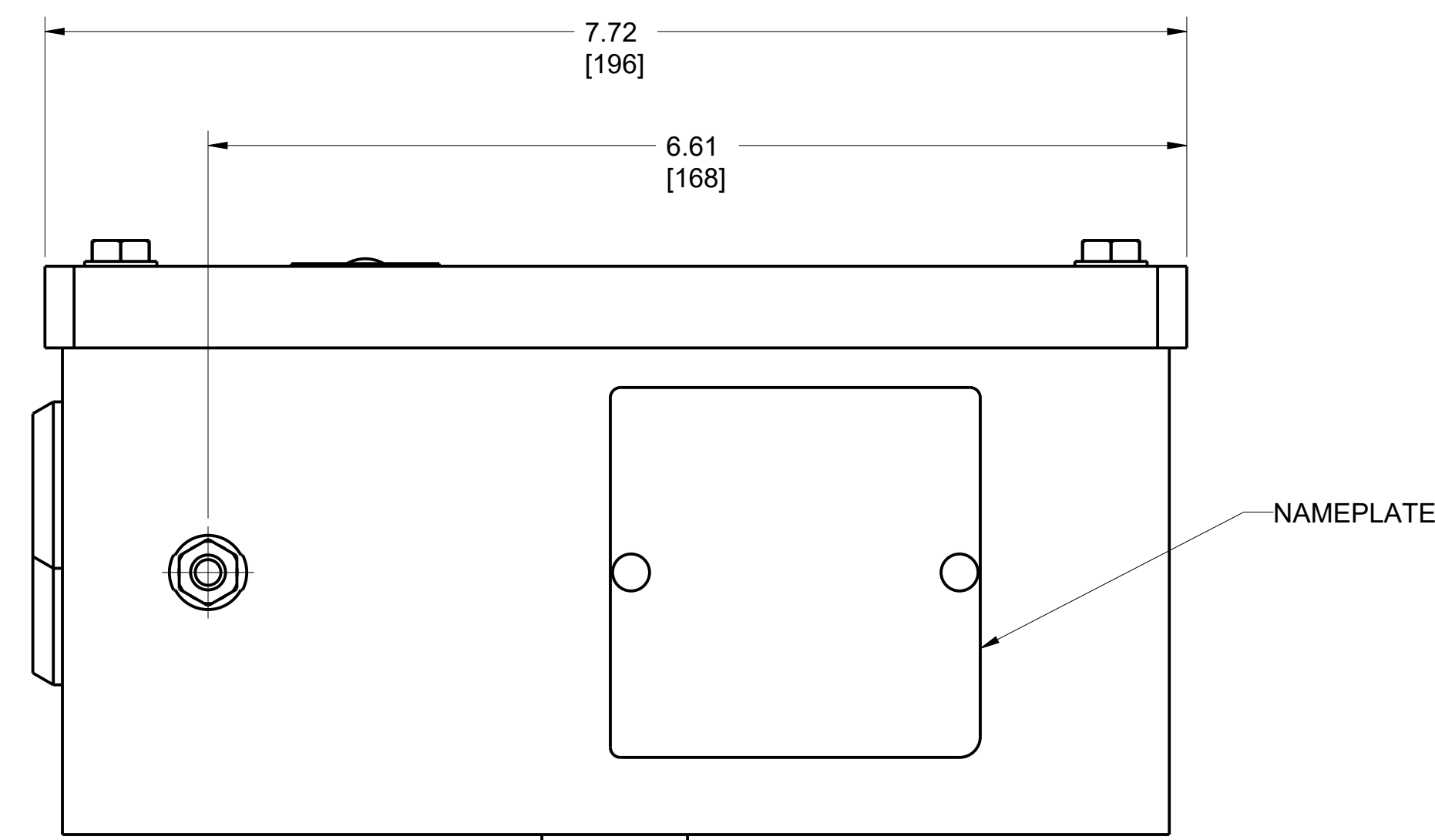
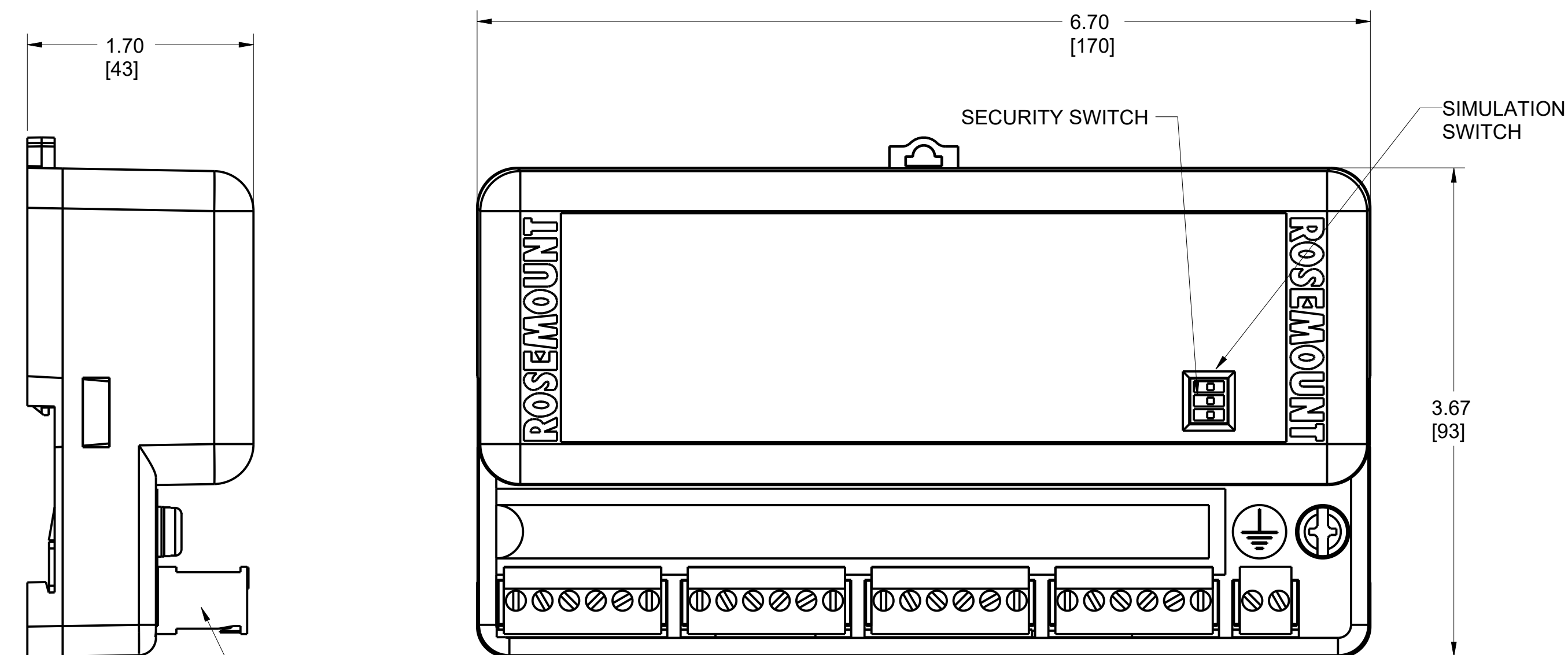
ROSEMOUNT 848T HIGH DENSITY TEMPERATURE FAMILY SST JUNCTION BOX WITH PLUGGED HOLES

SHOWN WITH ENCLOSURE



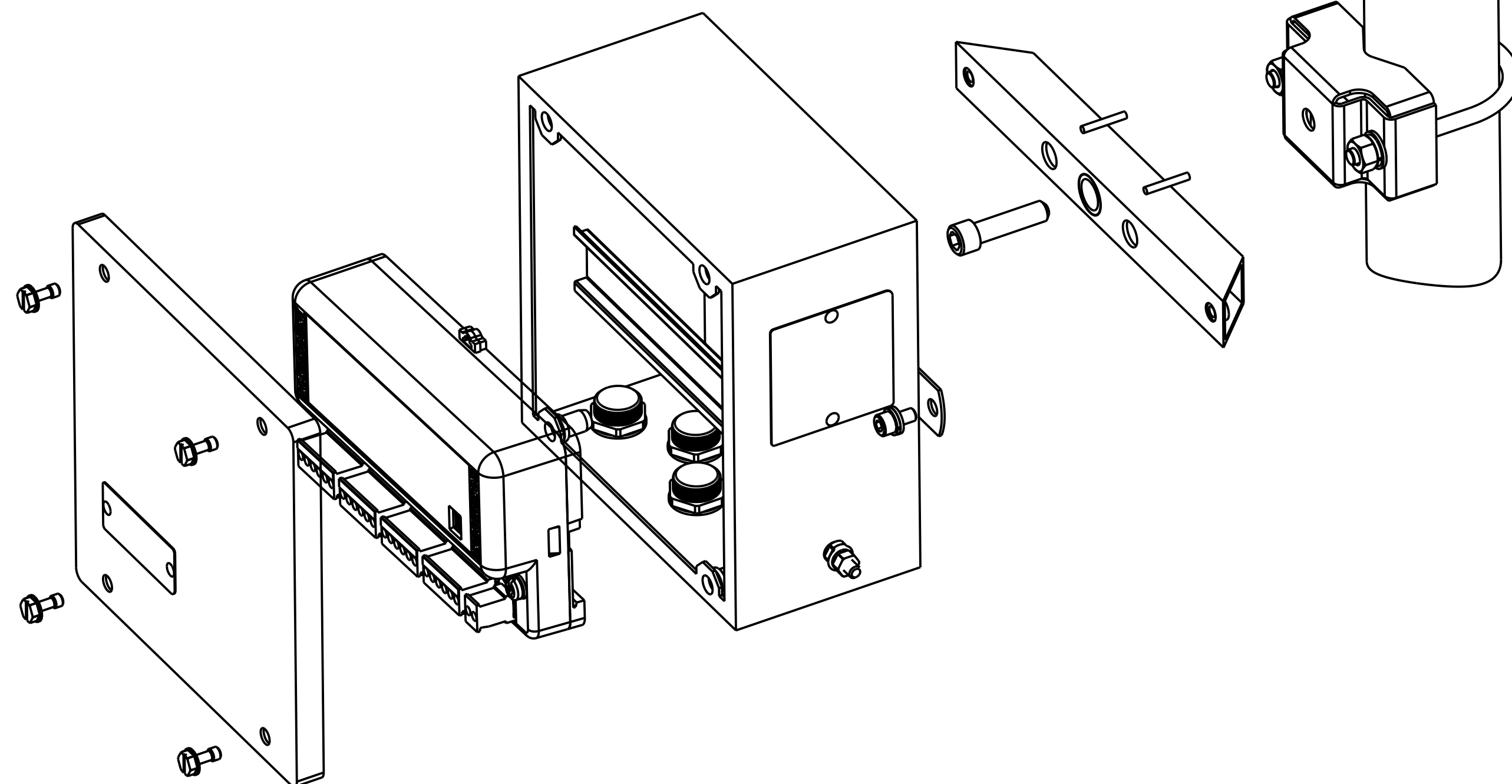
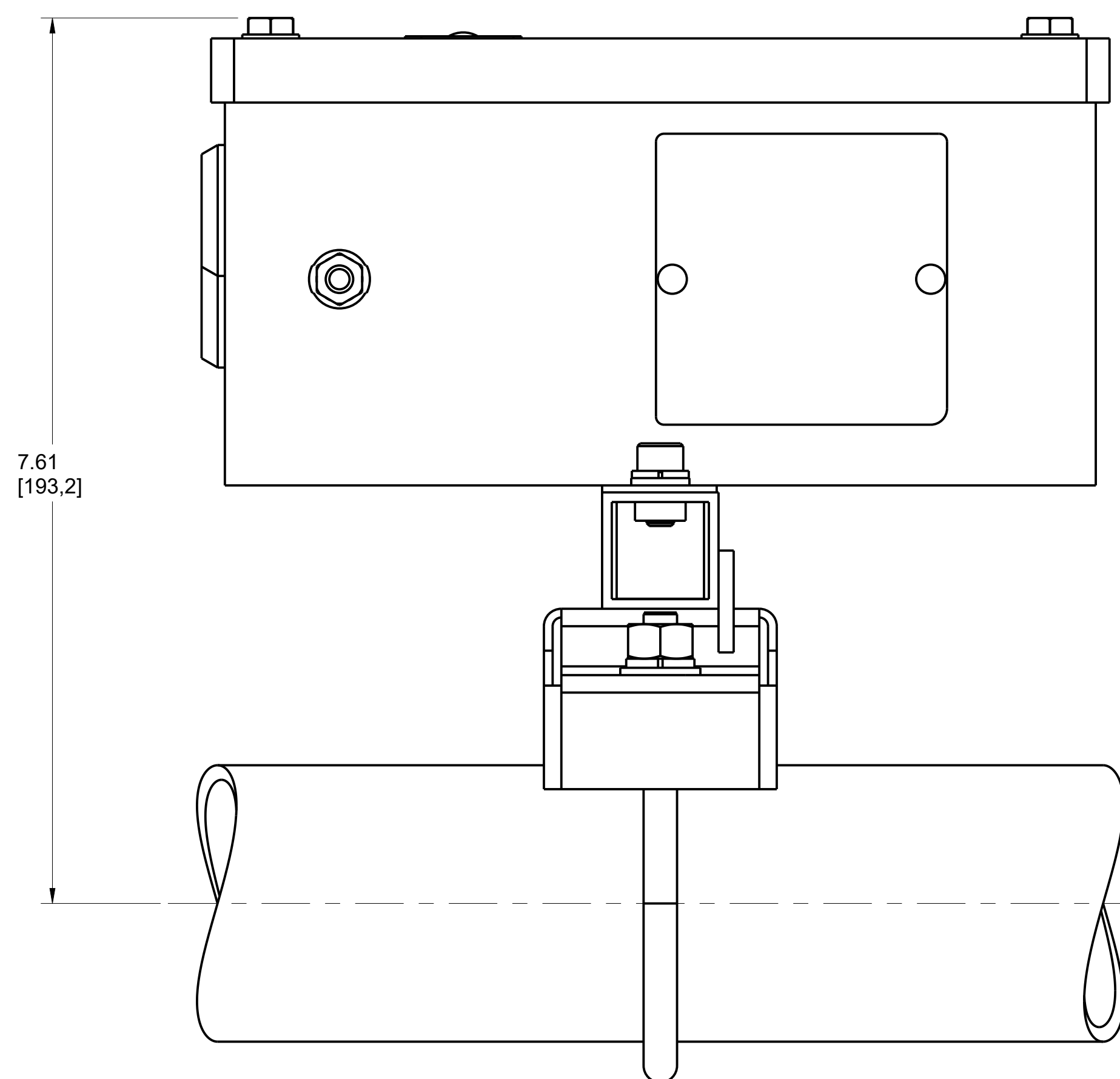
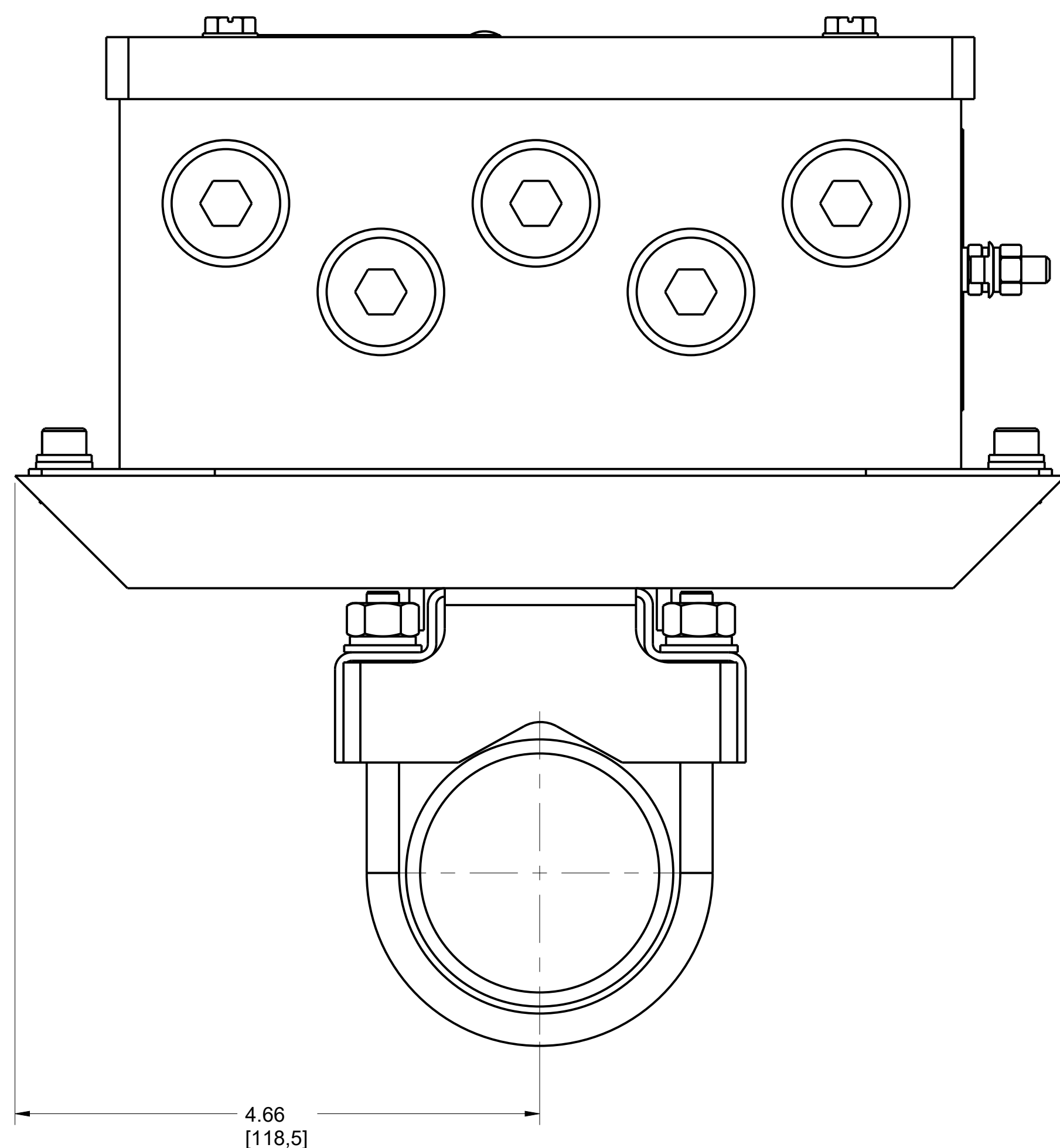
FIVE PLUGGED 0.86-IN. DIAMETER HOLES SUITABLE FOR INSTALLING 1/2-IN. NPT FITTINGS

SHOWN WITHOUT ENCLOSURE



©2015 ROSEMOUNT INC. ROSEMOUNT INC. CERTIFIES THIS PRODUCT TO THE REQUIREMENTS OF THE STANDARD SPECIFICATIONS IN ACCORDANCE WITH ROSEMOUNT ENGINEERING SPECIFICATIONS. UNIT NOTES IN INCHES (mm). REFERENCE ROSEMOUNT PRODUCT SPECIFICATIONS. CLICK HERE	3RD ANGLE	SIZE D	SCALE NTS
	TITLE ROSEMOUNT HIGH DENSITY TYPE I DRAWING		
	DR. JLA APPD. JR	3/18/13 4/5/13	DRAWING NO. 00848-4010

ROSEMOUNT 848T HIGH DENSITY TEMPERATURE FAMILY
SST BOX MOUNTING CONFIGURATION



©2015 ROSEMOUNT INC.
ROSEMOUNT INC. CERTIFIES
THIS DRAWING IS IN
ACCORDANCE WITH
ROSEMOUNT ENGINEERING
SPECIFICATIONS.
UNIT NOTES IN INCHES (mm).
REFERENCE ROSEMOUNT
PRODUCT SPECIFICATIONS.
CLICK HERE

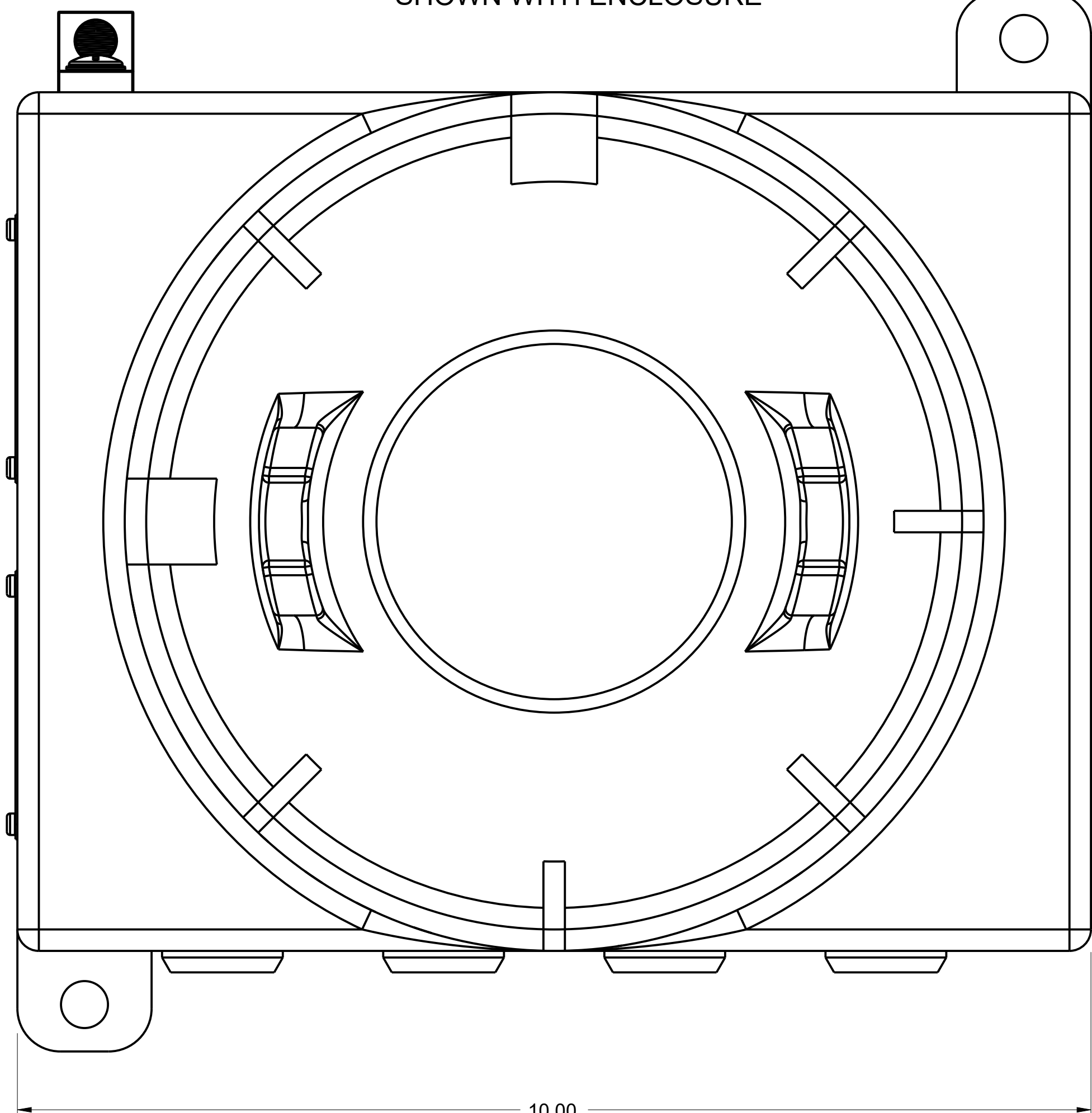
3RD ANGLE

EMERSON

TITLE ROSEMOUNT HIGH DENSITY
TYPE I DRAWING

DR.	JLA	3/18/13	DRAWING NO.	00848-4010
APPD	JR	4/5/13		
CAD MAINTAINED, (PROE)			SHEET 9 OF 10	

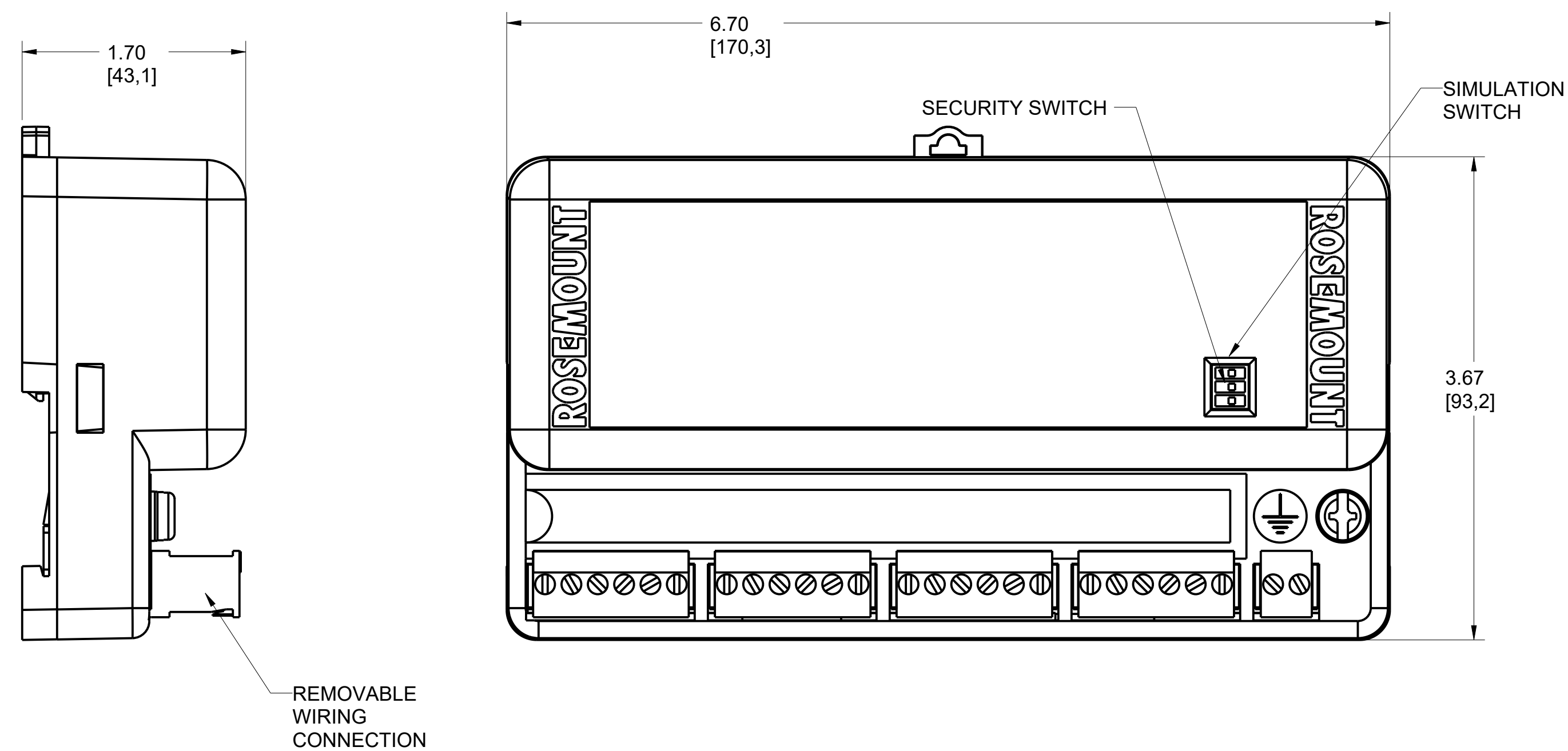
SHOWN WITH ENCLOSURE



10.00
[254]

ROSEMOUNT 848T HIGH DENSITY TEMPERATURE FAMILY EXPLOSION PROOF BOX WITH PLUGGED HOLES

SHOWN WITHOUT ENCLOSURE



1.70
[43.1]

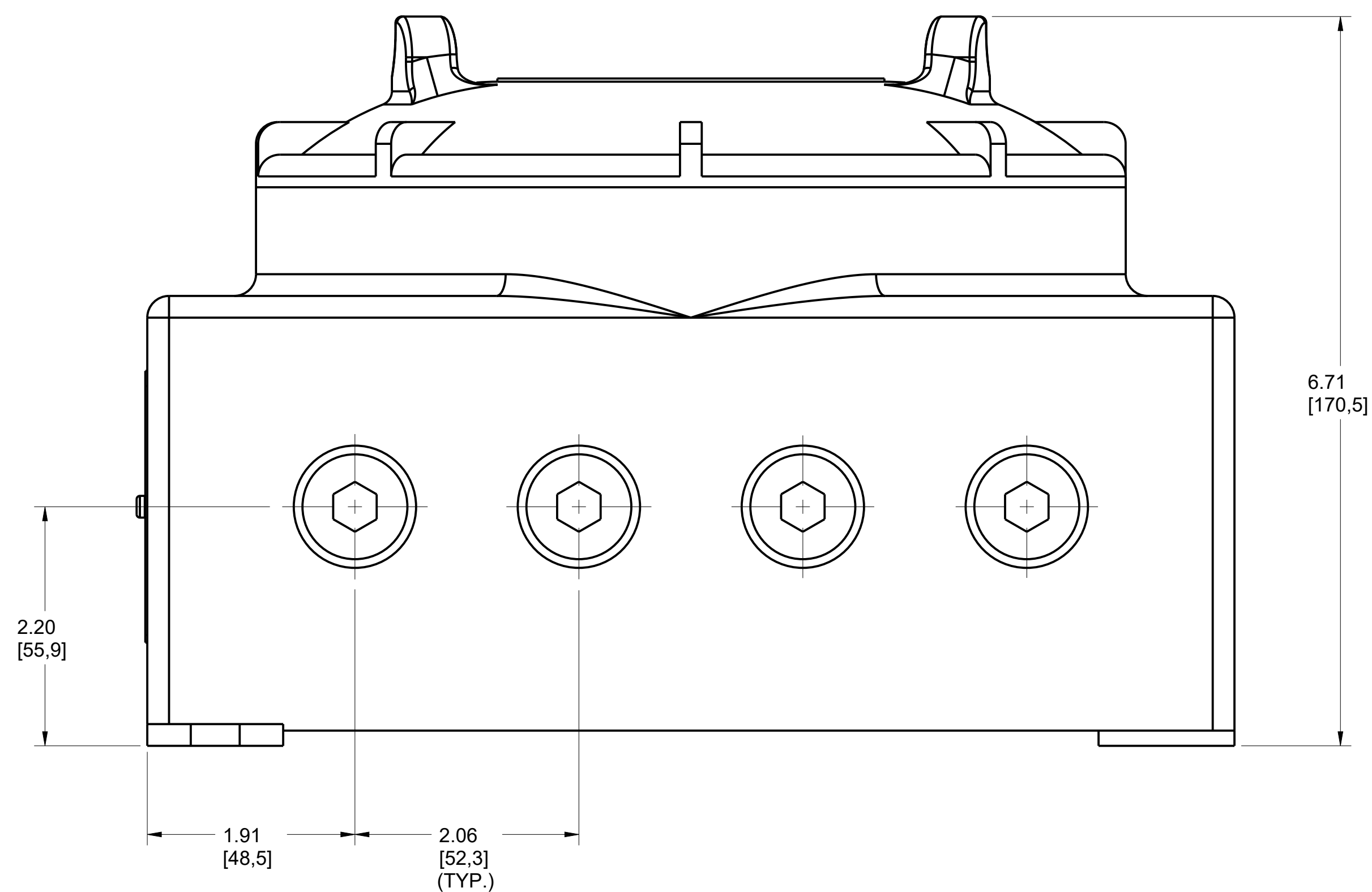
6.70
[170.3]

SIMULATION SWITCH

SECURITY SWITCH

3.67
[93.2]

REMOVABLE WIRING CONNECTION

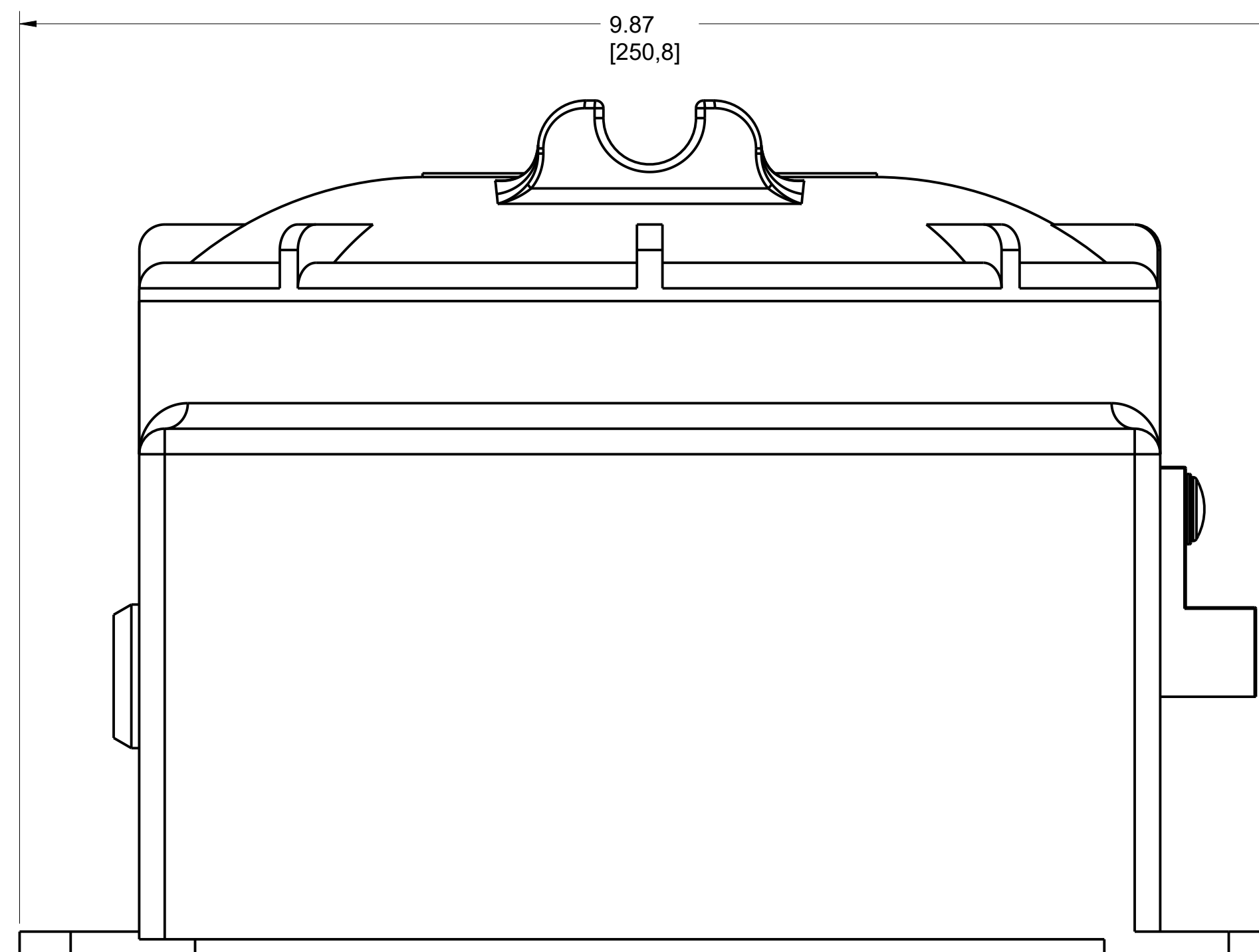


6.71
[170.5]

2.20
[55.9]

1.91
[48.5]

2.06
[52.3]
(TYP.)



9.87
[250.8]

©2015 ROSEMOUNT INC.
ROSEMOUNT INC. CERTIFIES
THIS DRAWING IS MADE IN
ACCORDANCE WITH
ROSEMOUNT ENGINEERING
SPECIFICATIONS.
UNIT NOTES IN INCHES (mm).
REFERENCE ROSEMOUNT
PRODUCT SPECIFICATIONS.
CLICK HERE

3RD ANGLE

EMERSON

TITLE ROSEMOUNT HIGH DENSITY
TYPE I DRAWING

DR.	JLA	3/18/13	DRAWING NO.	
APPD	JR	4/5/13		00848-4010
CAD MAINTAINED, (PRO/E)				SHEET 10 OF 10