

Model 818 Flow Rate Indicator

Description

The Brodie Model 818 Electro-Mechanical Rate of Flow Indicator provides remote indication of flow rate. It consists of a right angle drive mounted directly in the meter stack-up with a tach generator that provides electrical output signals to a remote indicator dial that can be located up to 1,000 feet (304.8 meters) away.

Design Features

- Accessory block can be mounted in eight positions.
- No external power source required.
- Easily read indicator dial.
- Low torque.
- Indicator dial scale calibrated at factory for desired units.
- No periodic maintenance required.
- Ball bearings lubricated for life.

The following dial faces are standard on the Model

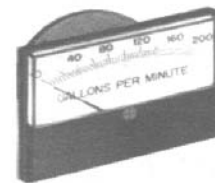
Meters With Output One Gallon Per Rev.	Meters With Output of Ten Gallon Per Rev.
0 – 30 GPM	0 – 300 GPM
0 – 50 GPM	0 – 500 GPM
0 – 75 GPM	0 – 750 GPM
0 – 100 GPM	0 – 1000 GPM
0 – 150 GPM	0 – 1500 GPM
0 – 300 GPM	0 – 3000 GPM
0 – 500 GPM	0 – 5000 GPM
0 – 750 GPM	0 – 7500 GPM
0 – 800 GPM	0 – 8000 GPM
0 – 1000 GPM	0 – 10000 GPM

Note: Units of measure other than gallons are available on request.

Accessory Block and Adaptor
with Tach Generation



Readout Indicator



WARNING

Do NOT operate this instrument in excess of the specifications listed. Failure to heed this warning could result in serious injury and/or damage to the equipment.

818:

Materials of Construction

Accessory Block Housing: Aluminum

Adaptor Housing: Aluminum

Ball Bearings: Stainless Steel

Temperature Range

Minimum: -20°F (-29°C)

Optional: -40°F (-48°C)

Maximum: 167°F (75°C)

Shipping Weight and Volume (Approximate)

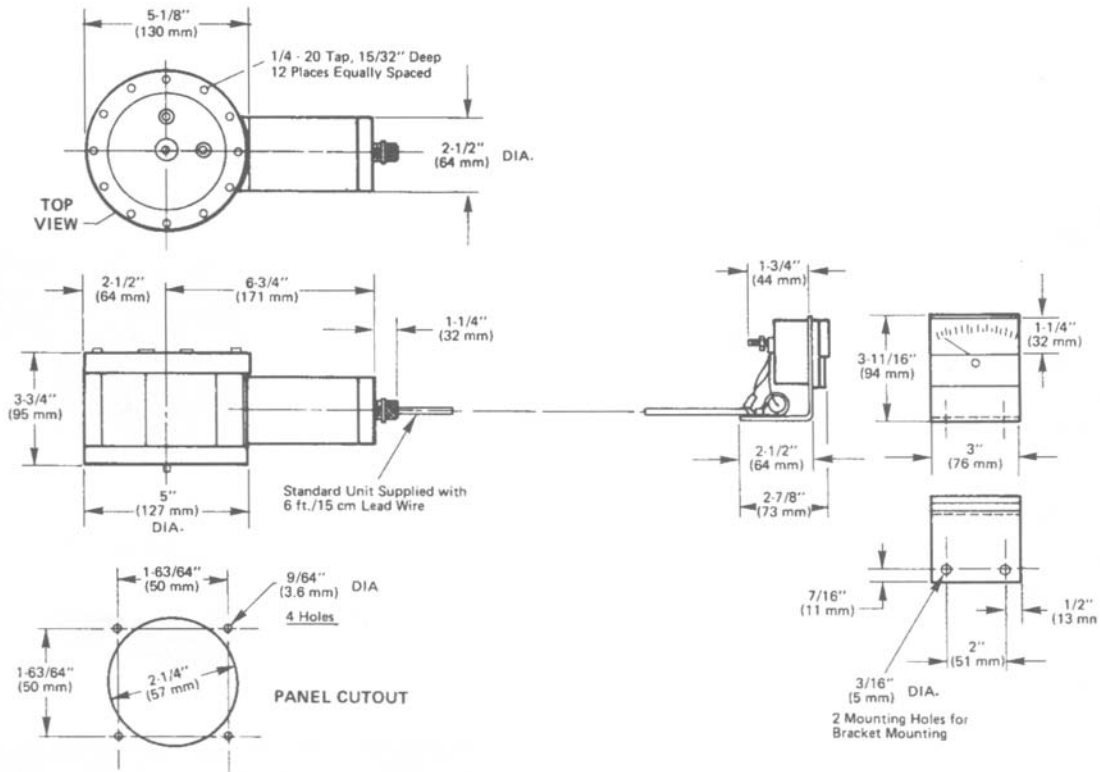
15 lbs @ .2 Cu. Feet

6.8 kg @ .0057 Cu. Meters

Tach Generator Signal Output: Generates 1.3 volts at 500 rpm, maximum speed 750 rpm at generator.

Indicator Dial Mountings: Flat mounted (bracket supplied) or panel mounted.

Dimensions (For Certified Dimensional Prints - Consult Factory)



The contents of this publication are presented for informational purposes only, and while every effort has been made to ensure their accuracy, they are not to be construed as warranties or guarantees, express or implied, regarding the products or services described herein or their use or applicability. Brodie Meter Co., LLC reserves the right to modify or improve the designs or specifications of such products at any time without notice.