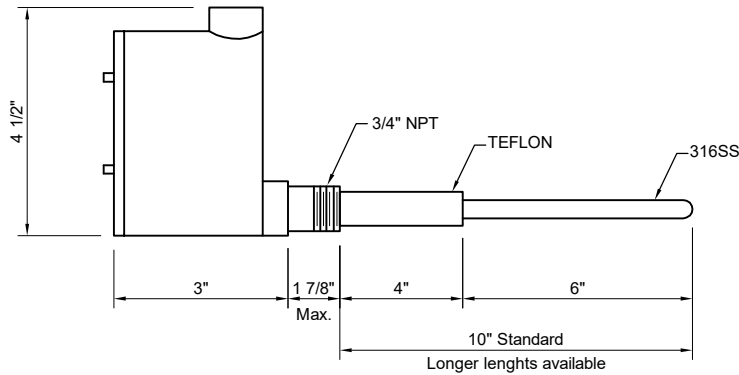


BABBITT
INTERNATIONAL, INC.
Level Control and Systems

P.O. BOX 70094
 HOUSTON, TEXAS 77270
 TEL: (713) 467-4438

- FOR QUOTE
- FOR APPROVAL
- DIMENSIONAL DRAWING

LS2100 STANDARD STYLE PROBE



NOTES	TAGS	SERVICE CONDITIONS
	_____ _____ _____ _____	WORKING PRESS.: _____ MAXIMUM PRESS.: _____ WORKING TEMP.: _____ MAXIMUM PRESS.: _____ SPECIFIC GRAVITY.: _____

CUSTOMER : _____	MODEL : _____	
QUOTE : _____	LINE ITEM: _____ QTY: _____	DRWN BY: _____ DATE: _____ CHK BY: _____
P.O. : _____	APPROVED BY: _____	DATE: _____ SCALE: _____
S.O. : _____	CERTIFIED BY: _____	DATE: _____ REV: _____
DESCRIPTION : _____	DRAWING N.O. : _____	

FOR REFERENCE ONLY UNLESS CERTIFIED BY BABBITT