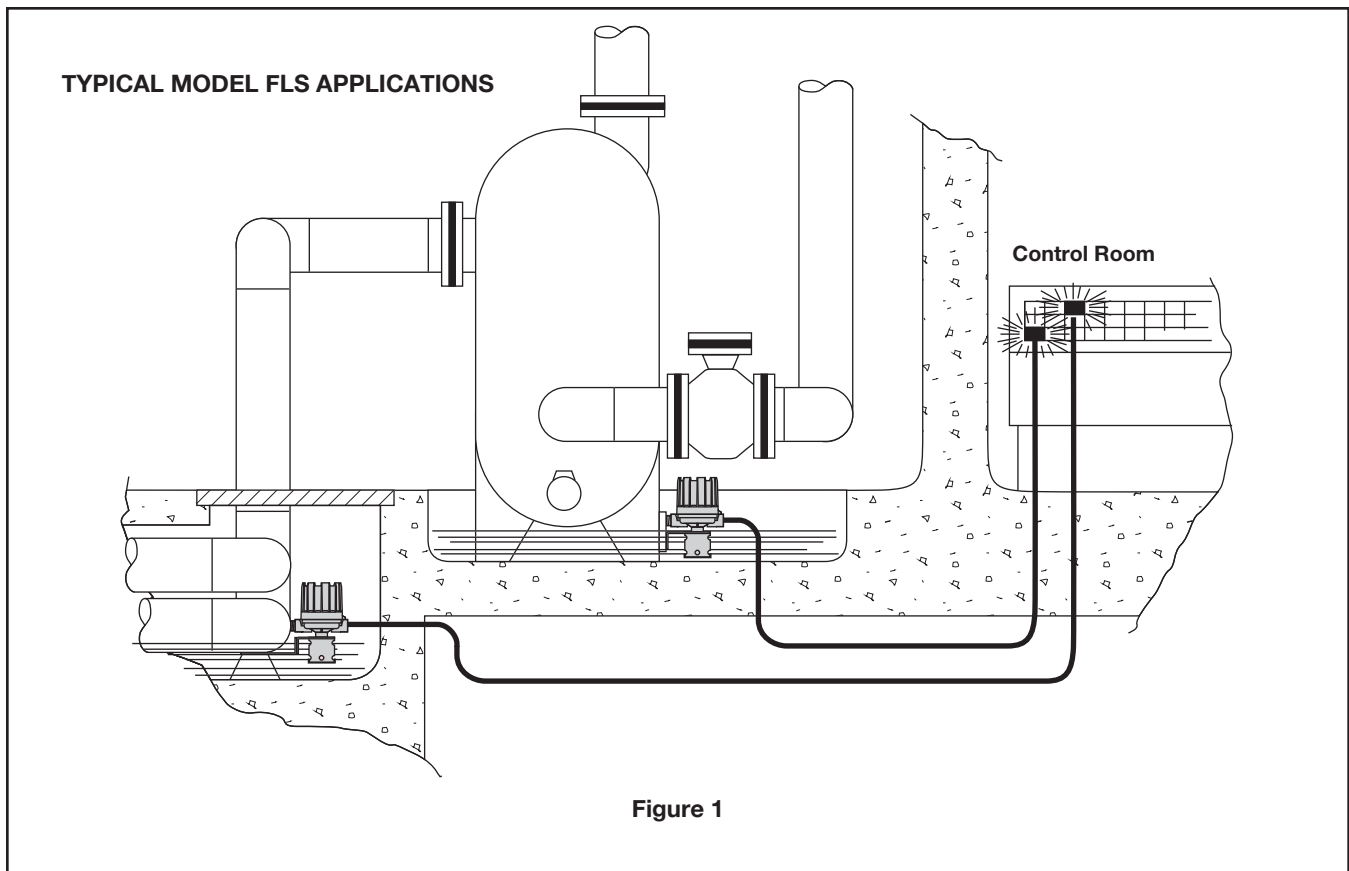


Model FLS Flood Level Switch Descriptive Data



DESCRIPTION

The Model FLS, part number 53-4701-001, is a float operated, liquid level control designed for bracket mounting in floor level sumps or troughs. The proven Magnetrol magnetic coupling is employed to transmit float movement to a single snap-action dry contact switch mechanism. The switch is factory set for $\frac{3}{4}$ " level differential for off-on control—alarm and/or safety shutdown service.

APPLICATIONS

The Model FLS is used to detect leaks or spills from critical valves, vessels, and pipelines in power plant installations, as shown in Figure 1.

CONSTRUCTION

Simple and rugged in design, the Model FLS is constructed of quality materials throughout to assure reliable operation and a long trouble-free service life.

FLOAT ENVELOPE

A perforated stainless steel float envelope is welded to a forged steel bracket assembly totally enclosing the float and providing a side mounting surface. A stainless steel bottom strap, tack welded to the float envelope, acts as a low level float stop.

FLOAT AND TRIM

300 series stainless steel float with a 400 series magnetic attraction sleeve. Internal trim is 300 series stainless steel.

SERIES B SWITCH MECHANISM

The Magnetrol Series B switch mechanism with SPDT contacts is rated:

Voltage	Non-Inductive Ampere Rating Series B Switch Mechanism
120 VAC	15.00
240 VAC	15.00
24 VDC	6.00
120 VDC	0.50
240 VDC	0.25

+250° F maximum ambient temperature

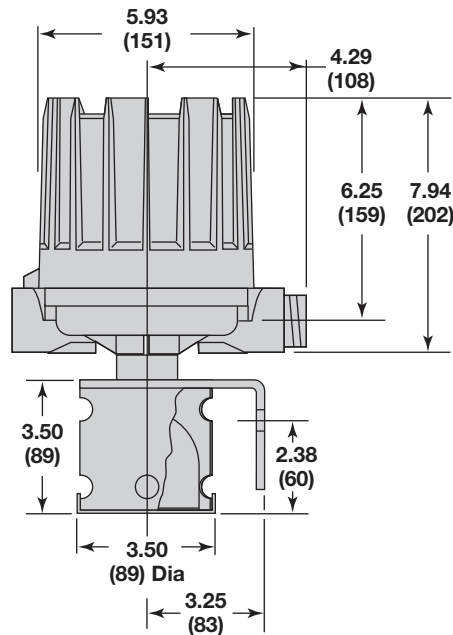
SWITCH HOUSING

A NEMA 4X,6,7/9 cast aluminum submersible electrical enclosure is standard, and allows 180° positioning of the conduit outlet for wiring convenience.

AVAILABLE OPTION

Qualified to IEEE 323-1974, and IEEE 344-1975.

DIMENSIONAL SPECIFICATIONS inches (mm)



705 Enterprise Street • Aurora, Illinois 60504-8149 USA
630.969.4000 • info.magnetrol@ametek.com • magnetrol.com

Copyright © 2021 AMETEK Magnetrol USA, LLC

BULLETIN: 44-306.7
EFFECTIVE: February 2015
SUPERSEDES: September 2000