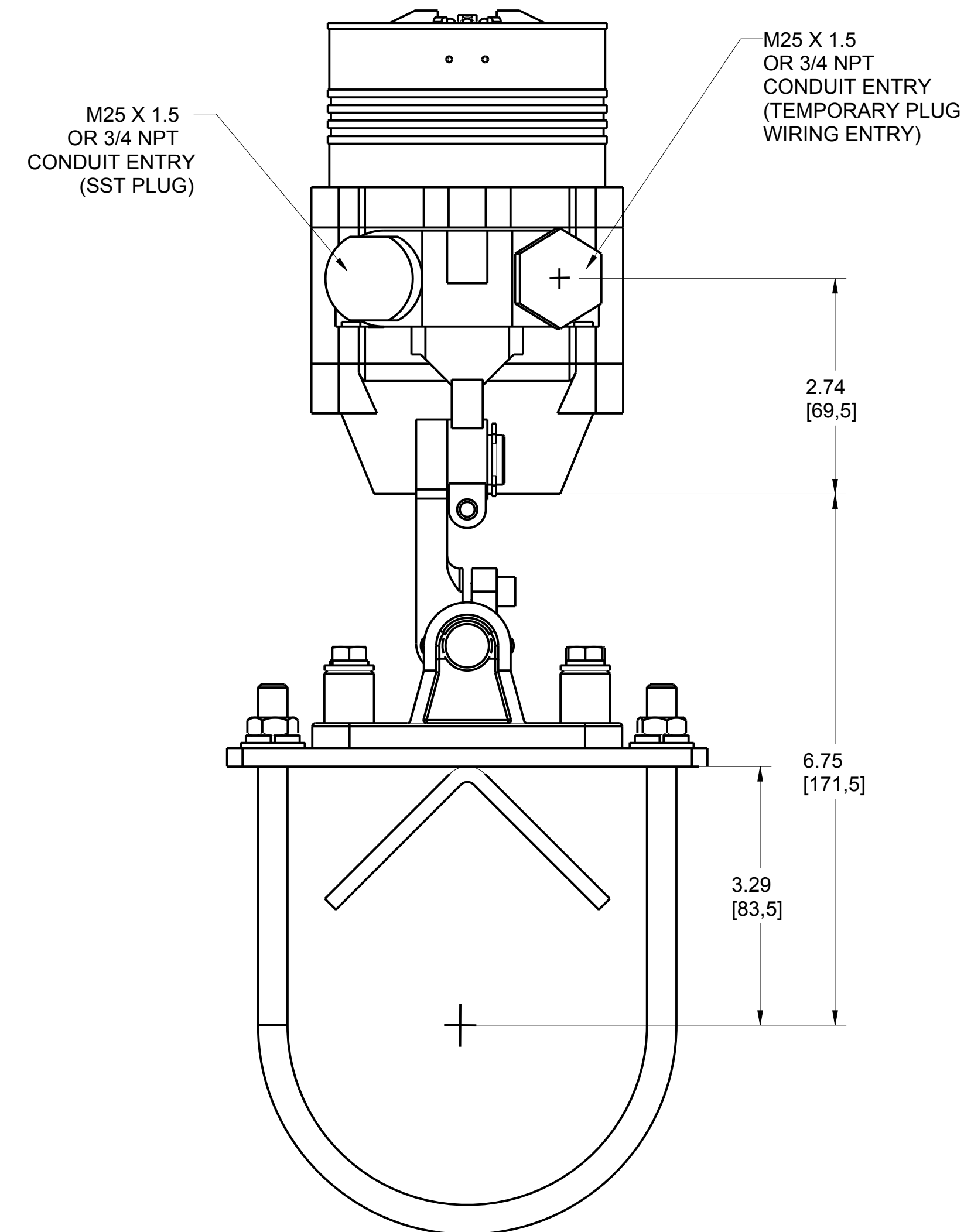
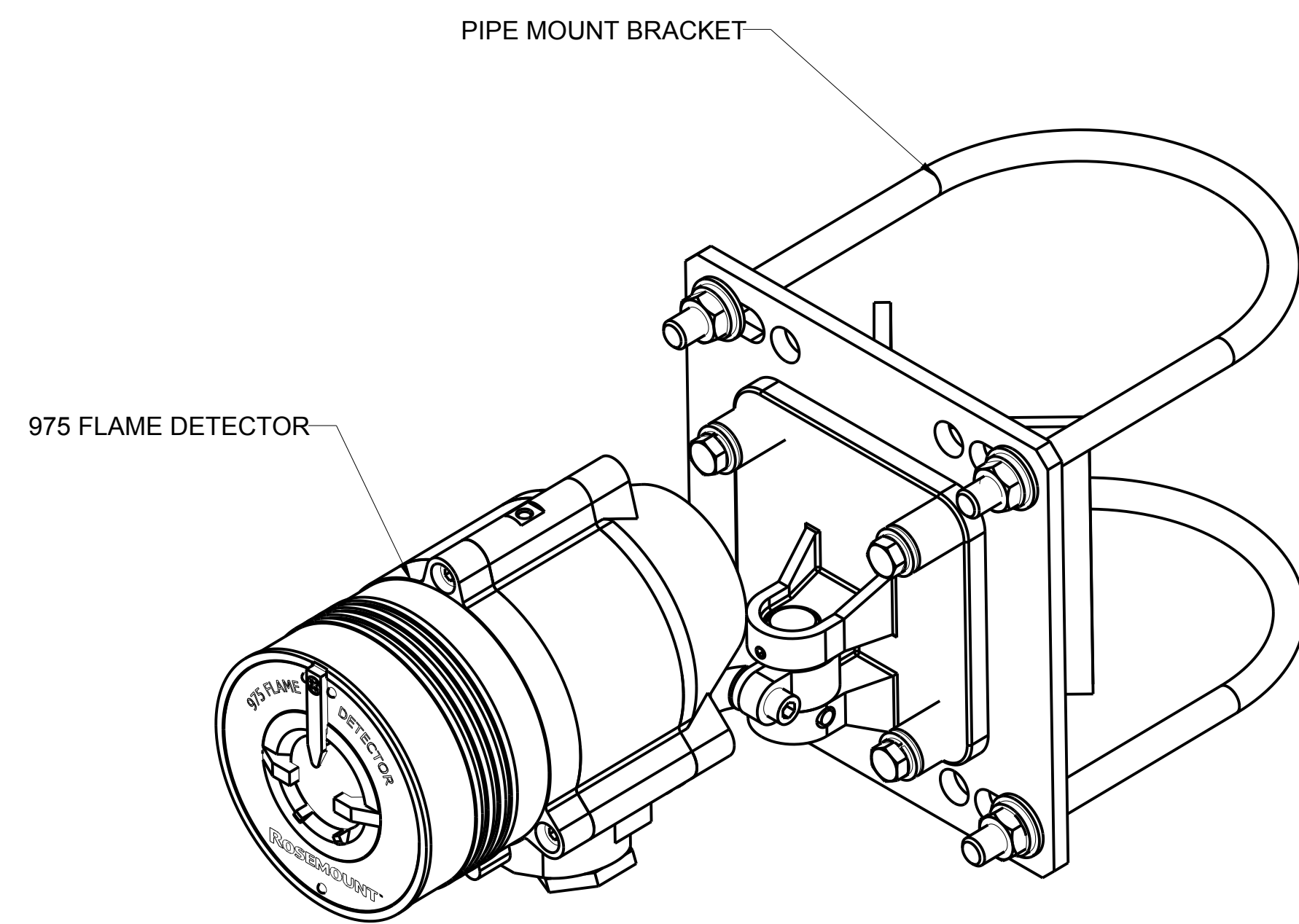
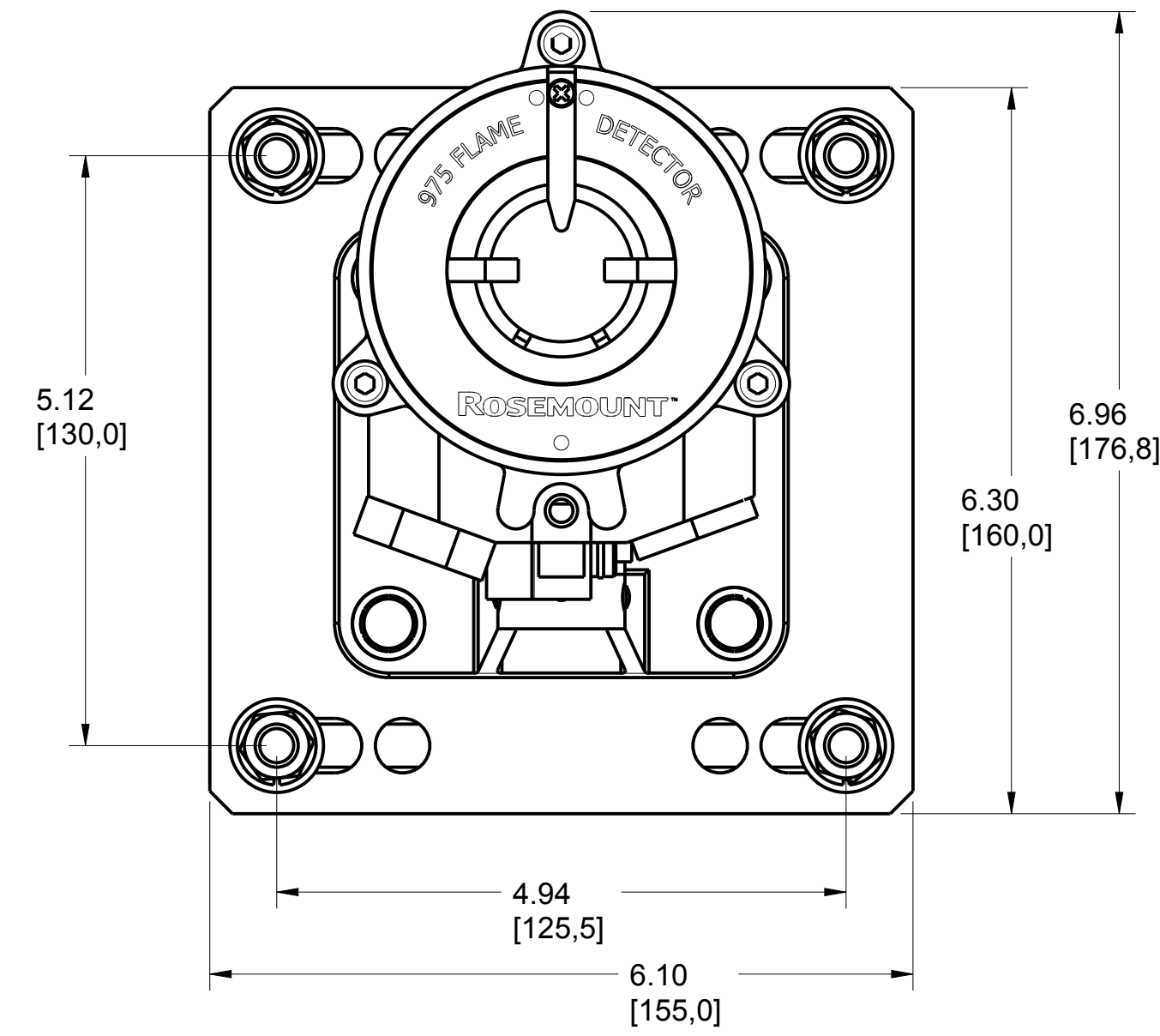
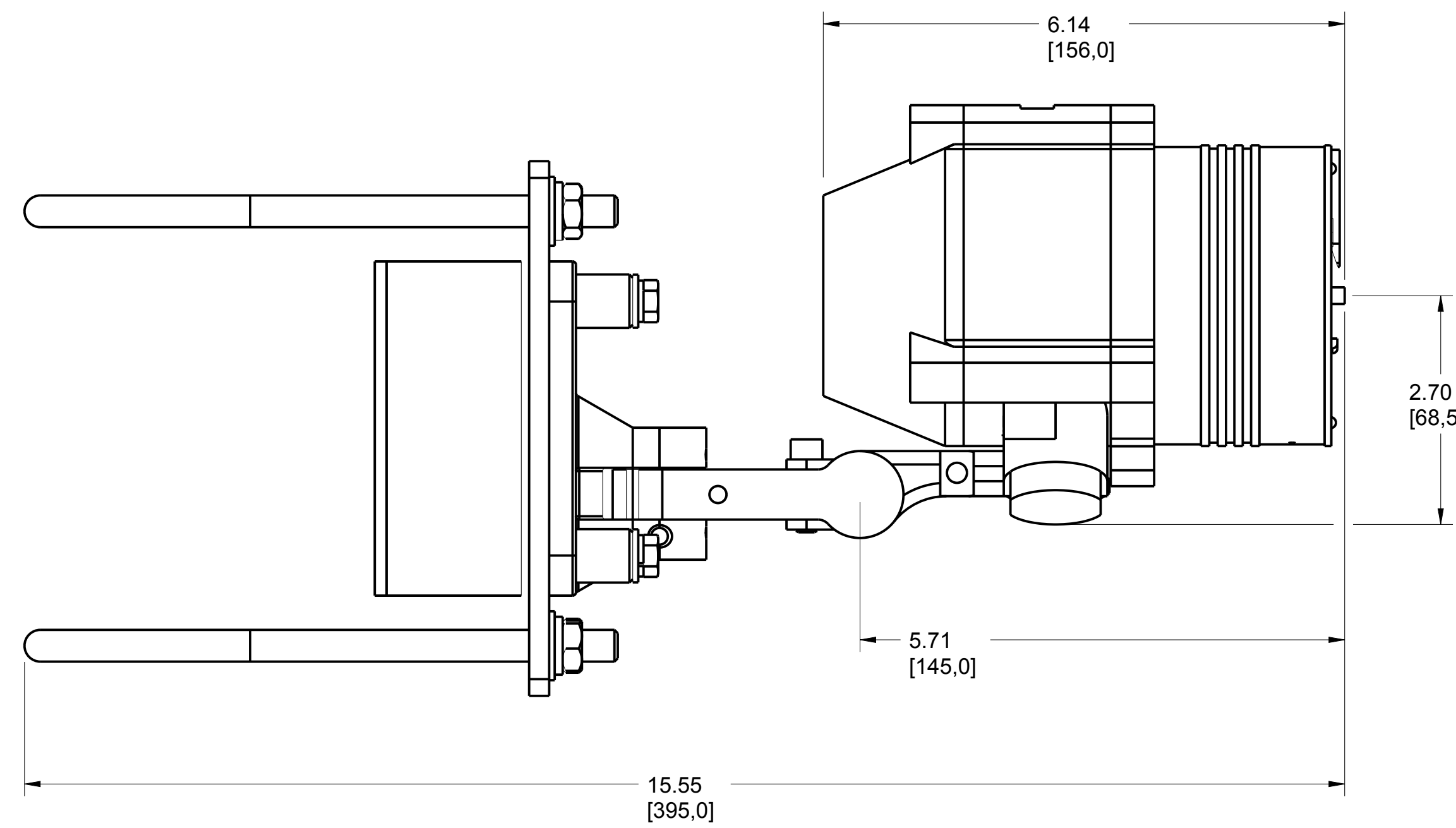


MODEL 975 FLAME DETECTOR WITH PIPE MOUNT BRACKET

REVISION TABLE			
REVISION	ECO NO.	APP'D	DATE
AA	RTCXXXXX	M. NYLAND	12/8/16
DESCRIPTION			
NEW RELEASE			



©2015 ROSEMOUNT INC.
ROSEMOUNT INC. CERTIFIES
THIS DRAWING IS MADE IN
ACCORDANCE WITH
ROSEMOUNT ENGINEERING
SPECIFICATIONS.
UNIT NOTES IN INCHES (mm).
REFERENCE ROSEMOUNT
PRODUCT SPECIFICATIONS.
CLICK HERE

3RD ANGLE

SIZE D SCALE NTS

EMERSON

**ROSEMOUNT 975 AND PIPE MOUNT
TYPE I DRAWING**

DR. J. ARMSTRONG	11/2/16	DRAWING NO.	00975-7008
APP'D M. NYLAND	11/2/16		

CAD MAINTAINED, (PROE) SHEET 1 OF 1