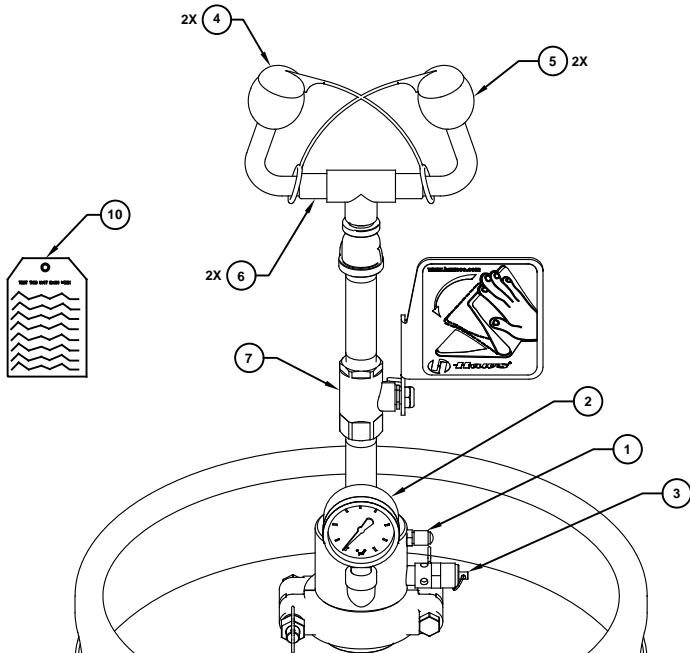
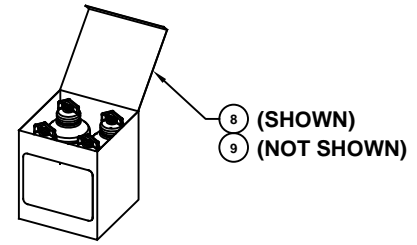


ITEM	DESCRIPTION	PART NO.
1	VALVE, AIR	0006522676
2	GAUGE, PRESSURE	0002580702.5
3	VALVE, RELIEF	0110000459
4	COVER, POP-OFF	9094
5	HEAD, EYEWASH	SP12
6	FLOW CONTROL	0012506950
7	VALVE	SP238
8	ANTIMICROBIAL PRESERVATIVE (4-PACK)	9082
9	ANTIMICROBIAL PRESERVATIVE (12-PACK)	9082-C
10	INSPECTION TAG	0510000504
11	BLANKET	*SEE TABLE

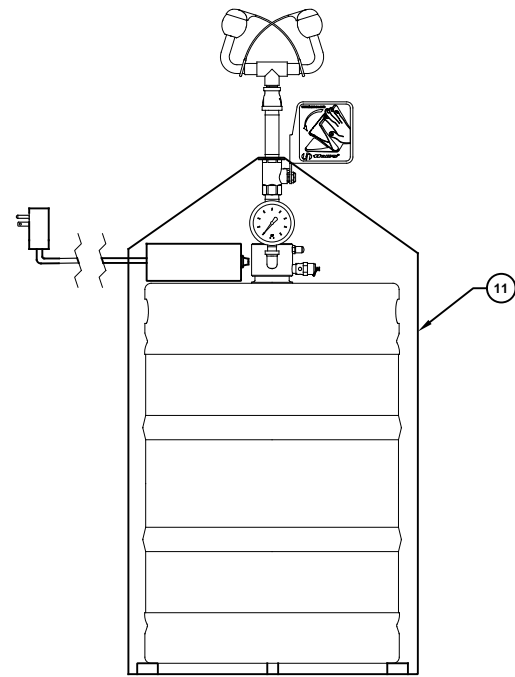


MODEL 7603



(ITEMS 8 & 9 NOT SUPPLIED; MUST BE ORDERED SEPARATELY)

MODELS 7603T / 7603T240




(7603T SHOWN)

* MODEL	BLANKET P/N
7603T	7603BL
7603T240	7603BL240

# PARTS BREAKDOWN

WHEN ORDERING PARTS PLEASE SPECIFY MODEL NUMBER.



**Haws**®

1455 KLEPPE LANE  
SPARKS, NEVADA 89431  
(775) 359-4712 FAX (775) 359-7424  
E-MAIL: HAWS@HAWS.CO.COM  
WEBSITE: WWW.HAWS.CO.COM

ECN NO. 5074	REVISED PER ECN: 5438	BY FV	MODEL(S) <b>7603/7603T/7603T240</b>	PART NUMBER <b>0510000480</b>
DRAWN JL	DATE 05/12/16	CHKD DP		REVISION <b>4</b>
APPROVED IR	DATE 12/09/19	SCALE: 1:1	DRAWING TYPE: PARTS BREAKDOWN	SIZE: A SHEET 1 OF 1